



US00D905129S

(12) **United States Design Patent** (10) **Patent No.:** **US D905,129 S**
Deng (45) **Date of Patent:** **** Dec. 15, 2020**

(54) **REFRIGERATOR**

(71) Applicant: **GUANGZHOU TSUNAMI INDUSTRIAL EQUIPMENT CO., LTD.**, Guangzhou (CN)

(72) Inventor: **Junlin Deng**, Guangzhou (CN)

(73) Assignee: **GUANGZHOU TSUNAMI INDUSTRIAL EQUIPMENT CO., LTD.**, Guangzhou (CN)

(**) Term: **15 Years**

(21) Appl. No.: **29/741,978**

(22) Filed: **Jul. 17, 2020**

(51) **LOC (12) Cl.** **15-07**

(52) **U.S. Cl.**
USPC **D15/81**

(58) **Field of Classification Search**
USPC D15/79-91; D7/603-608; D3/272-274
CPC F25D 17/02; F25D 11/003; F25D 19/02;
F25D 21/04; F25D 2201/14; F25D 2331/803; F25D 2331/805; F25D 2400/20; F25D 2400/28; F25D 2400/38; F25D 2700/16; F25D 29/00; F25D 29/003; F25D 29/005; F25D 31/006; F25D 31/007; F25D 19/003; F25D 23/006; F25D 23/028; F25D 23/065; F25D 23/066; F25D 23/085
See application file for complete search history.

(56) **References Cited**

U.S. PATENT DOCUMENTS

D503,413 S *	3/2005	Diaz	D15/83
D649,783 S *	12/2011	Brunner	D3/279
D660,885 S *	5/2012	Crawford	D15/83
D667,697 S *	9/2012	Shah	D7/605
D750,140 S *	2/2016	Cross	D15/81
D792,486 S *	7/2017	Li	D15/81
D802,029 S *	11/2017	Li	D15/81
D802,630 S *	11/2017	Li	D15/81
D816,127 S *	4/2018	Trotter	D15/81

D828,408 S *	9/2018	Huang	D15/81
D851,138 S *	6/2019	Murobayashi	D15/81
D889,208 S *	7/2020	Ellison	D7/605
2012/0294550 A1 *	11/2012	Hassman	A45C 15/00383/6
2014/0197059 A1 *	7/2014	Evans	B25H 3/02206/349
2015/0114024 A1 *	4/2015	Grepper	B01F 7/002562/320
2015/0175338 A1 *	6/2015	Culp	A45C 7/0077220/592.24
2017/0184335 A1	6/2017	Jeon et al.		

OTHER PUBLICATIONS

“12V/220V Mini Car Refrigerator Cooler Warmer Truck Electric Fridge Heater Freezer”, Retrieved Jul. 17, 2020]. Retrieved from Internet, https://www.aliexpress.com/item/4001021868001.html?spm=a2g0o.productlist.0.0.776b4e85Hw8noO&algo_pvid=4e28ce61-cec7-4942-919f-8d5b3d4ce4a8&algo_expid=4e28ce61-cec7-4942-919f-8d5b3d4ce4a8-.

* cited by examiner

Primary Examiner — Khawaja Anwar

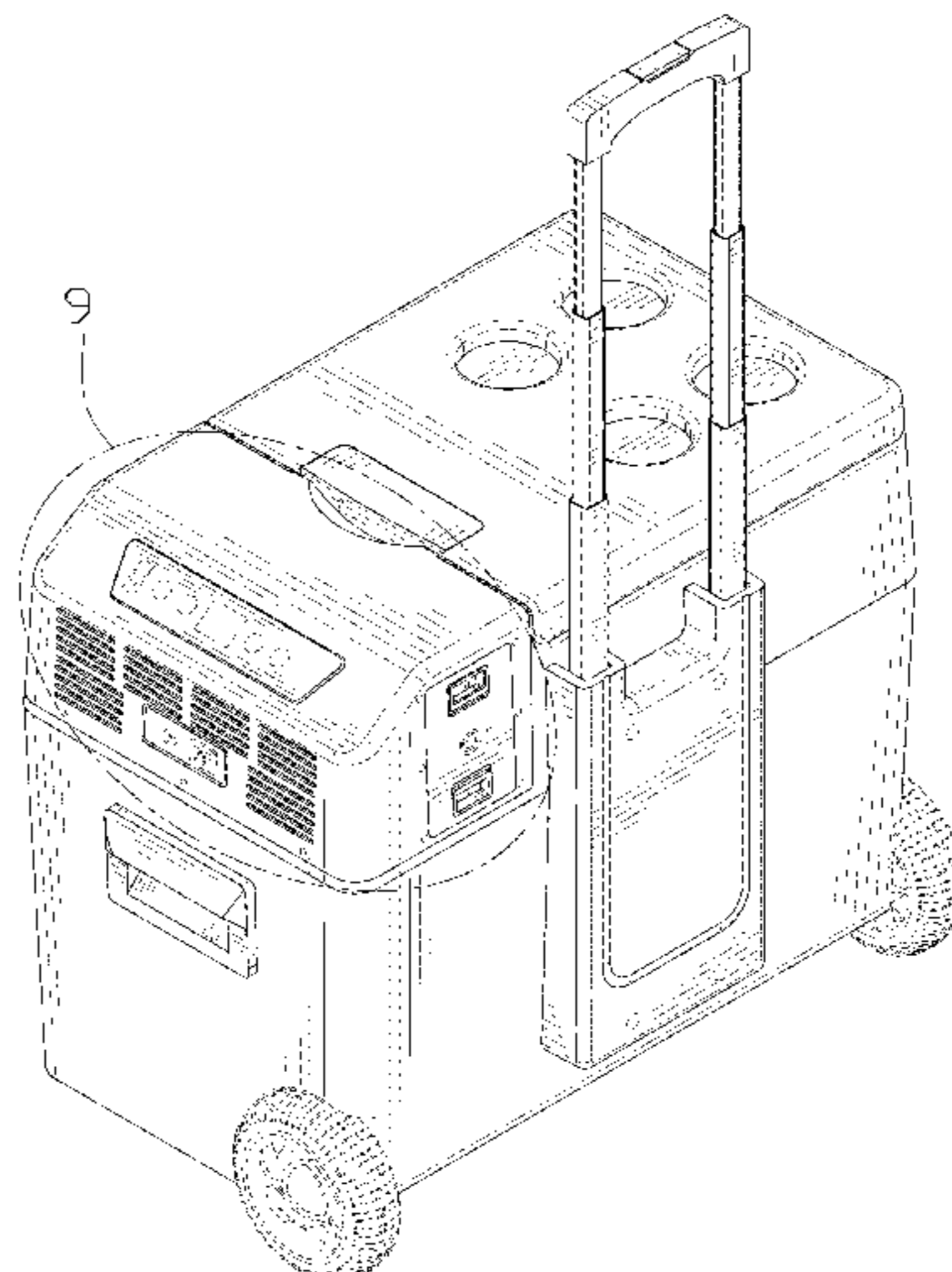
(57) **CLAIM**

The ornamental design for a refrigerator, as shown and described.

DESCRIPTION

FIG. 1 is a perspective view of a refrigerator showing my new design;
FIG. 2 is another perspective view thereof;
FIG. 3 is a front elevational view thereof;
FIG. 4 is a rear elevational view thereof;
FIG. 5 is a left side elevational view thereof;
FIG. 6 is a right side elevational view thereof;
FIG. 7 is a top plan view thereof;
FIG. 8 is a bottom plan view thereof; and,
FIG. 9 is an enlarged view of portion 9 shown in FIG. 1.
The broken lines in the drawings depict portions of the refrigerator that form no part of the claimed design.

1 Claim, 9 Drawing Sheets



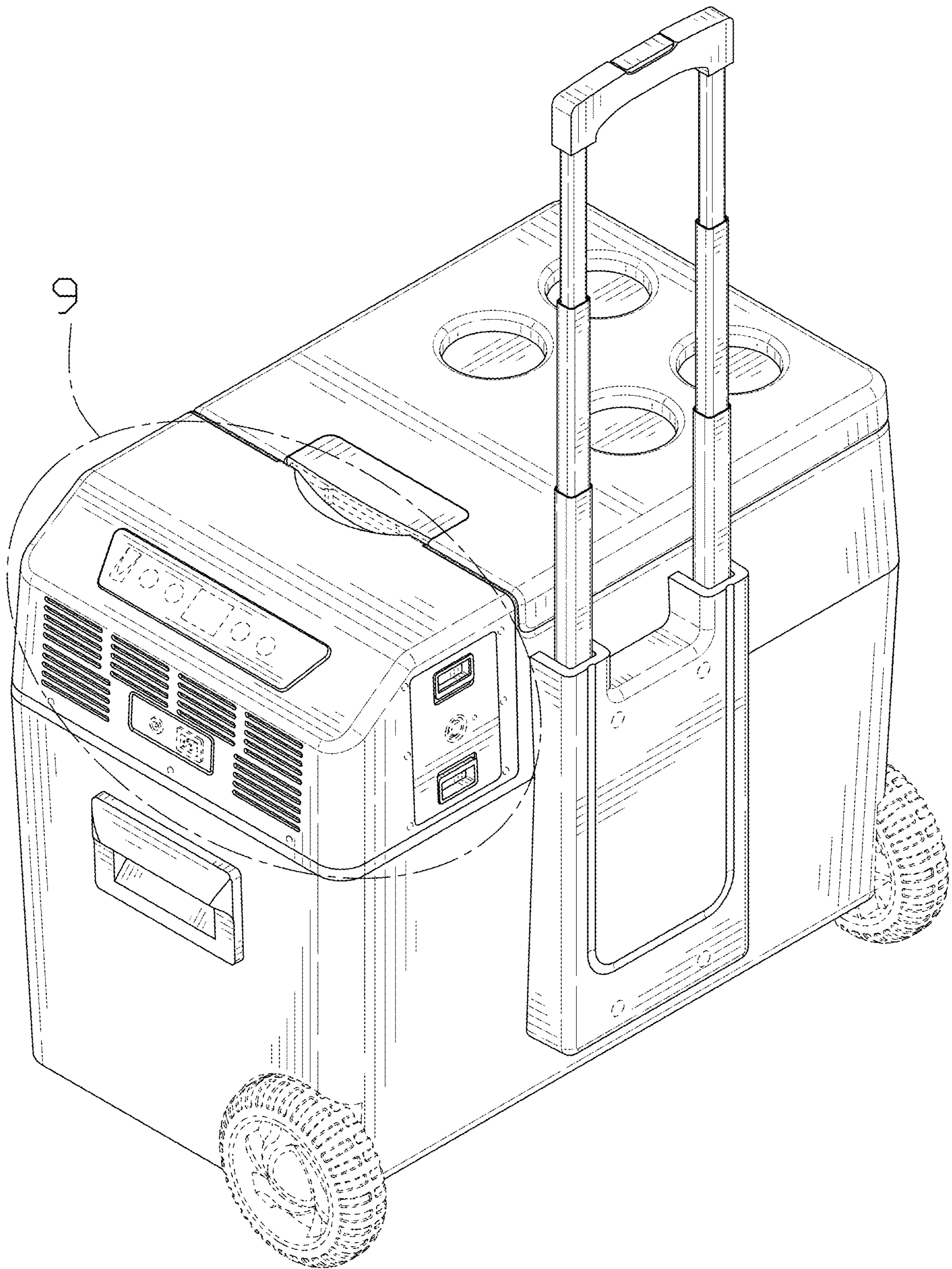


FIG. 1

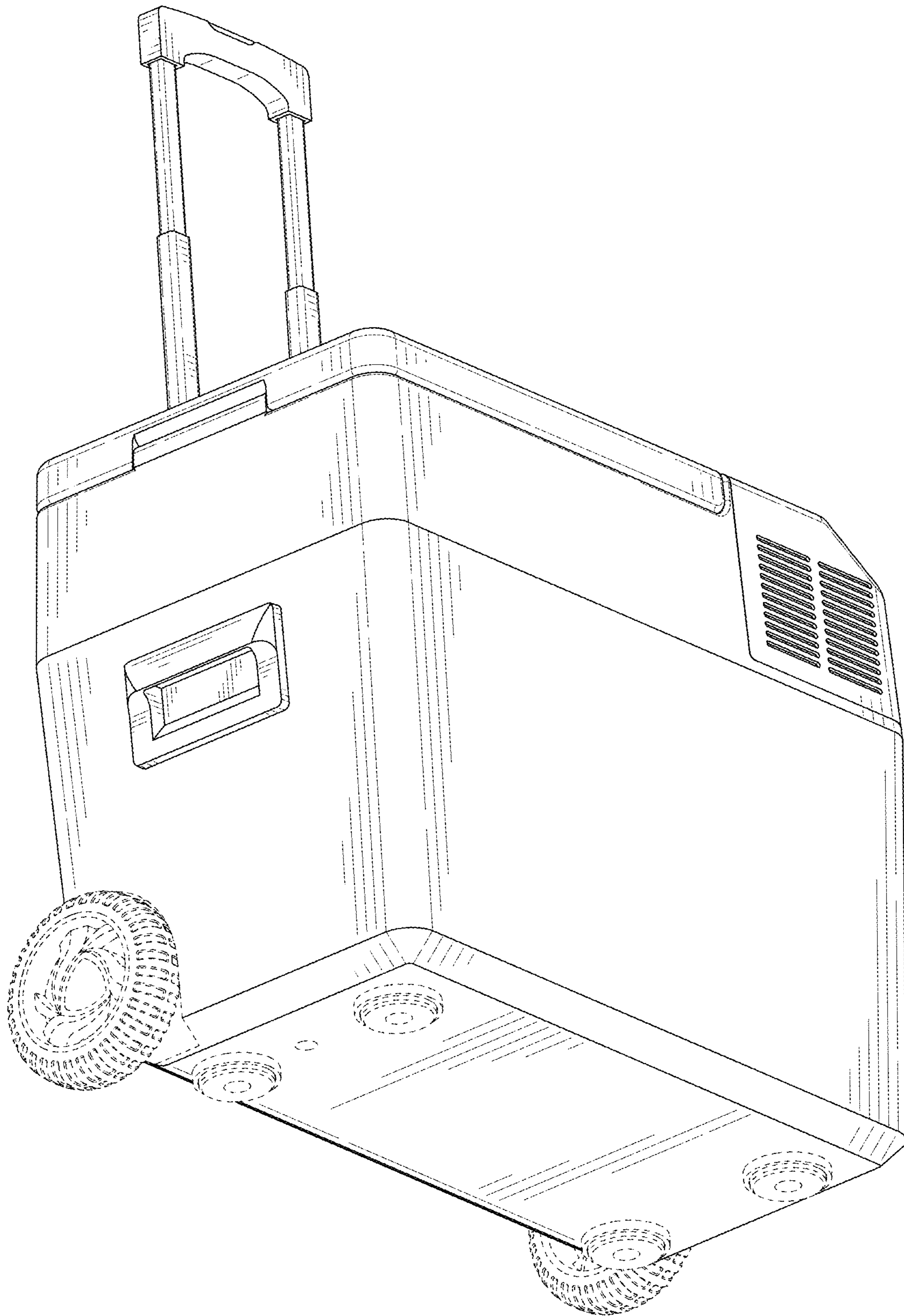


FIG. 2

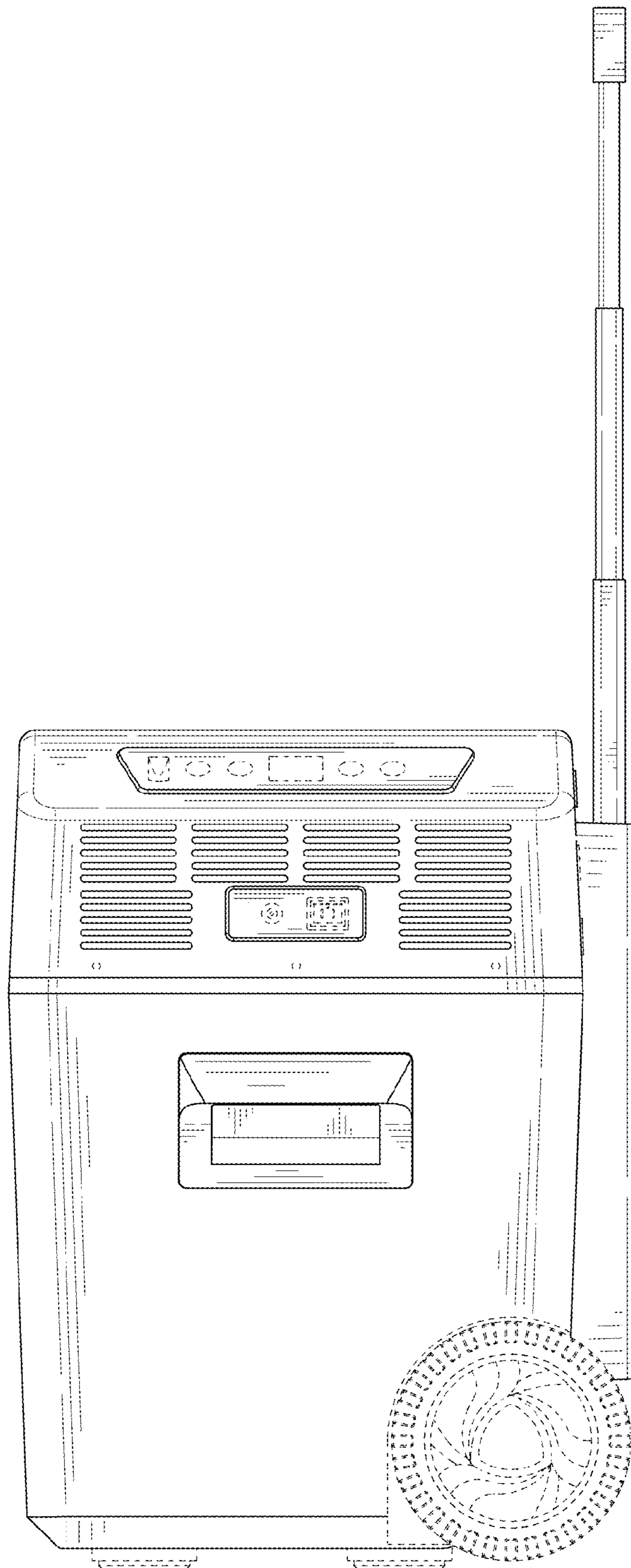


FIG. 3

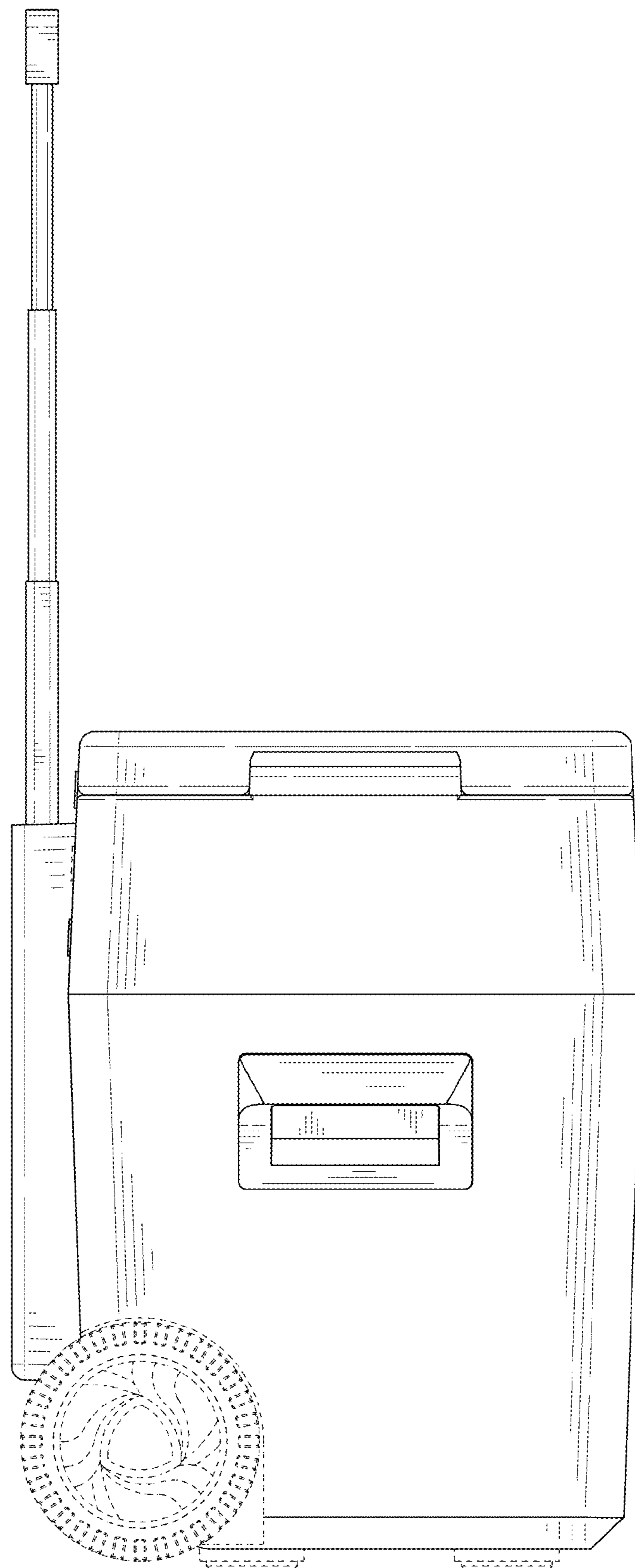


FIG. 4

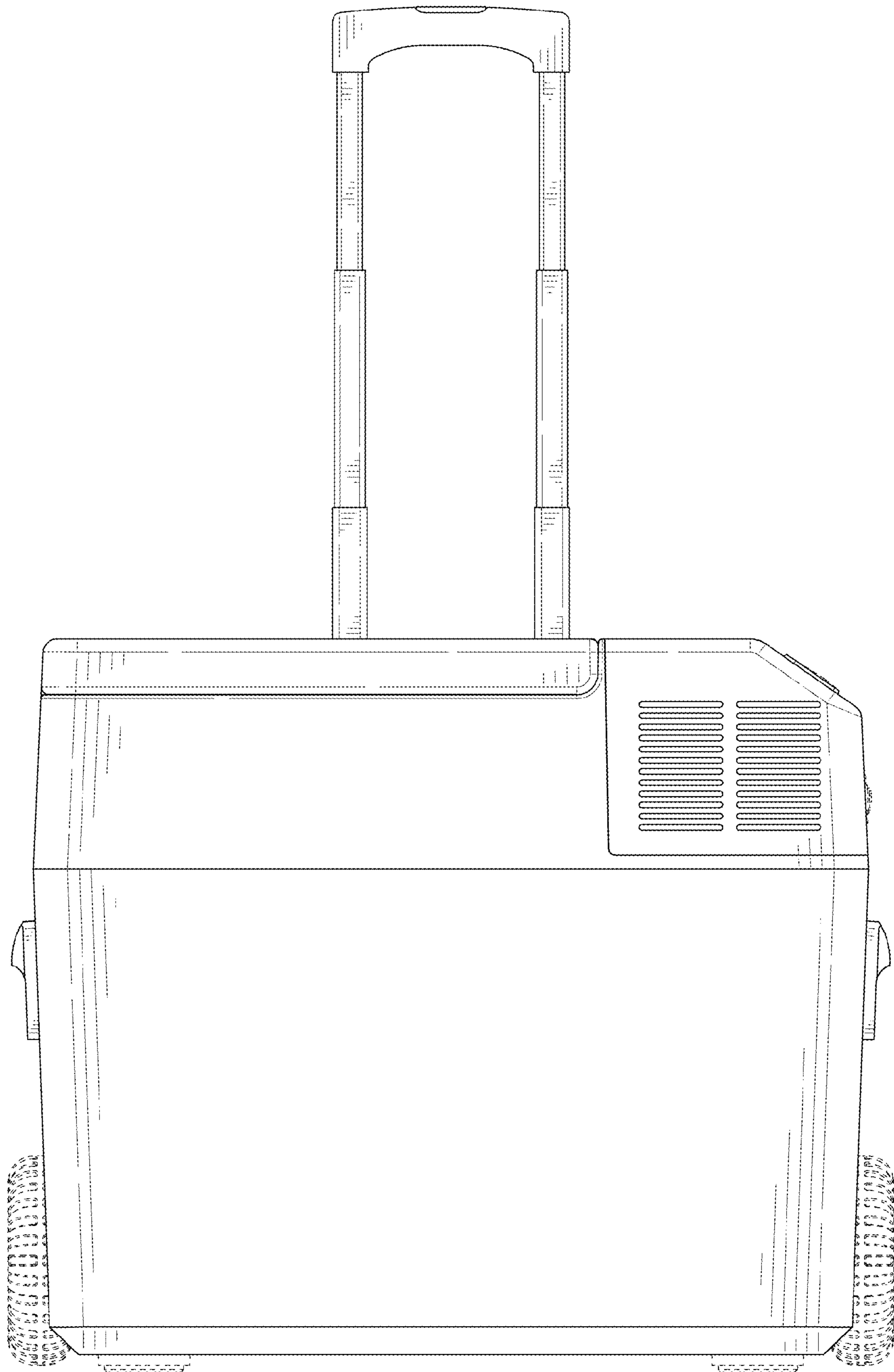


FIG. 5

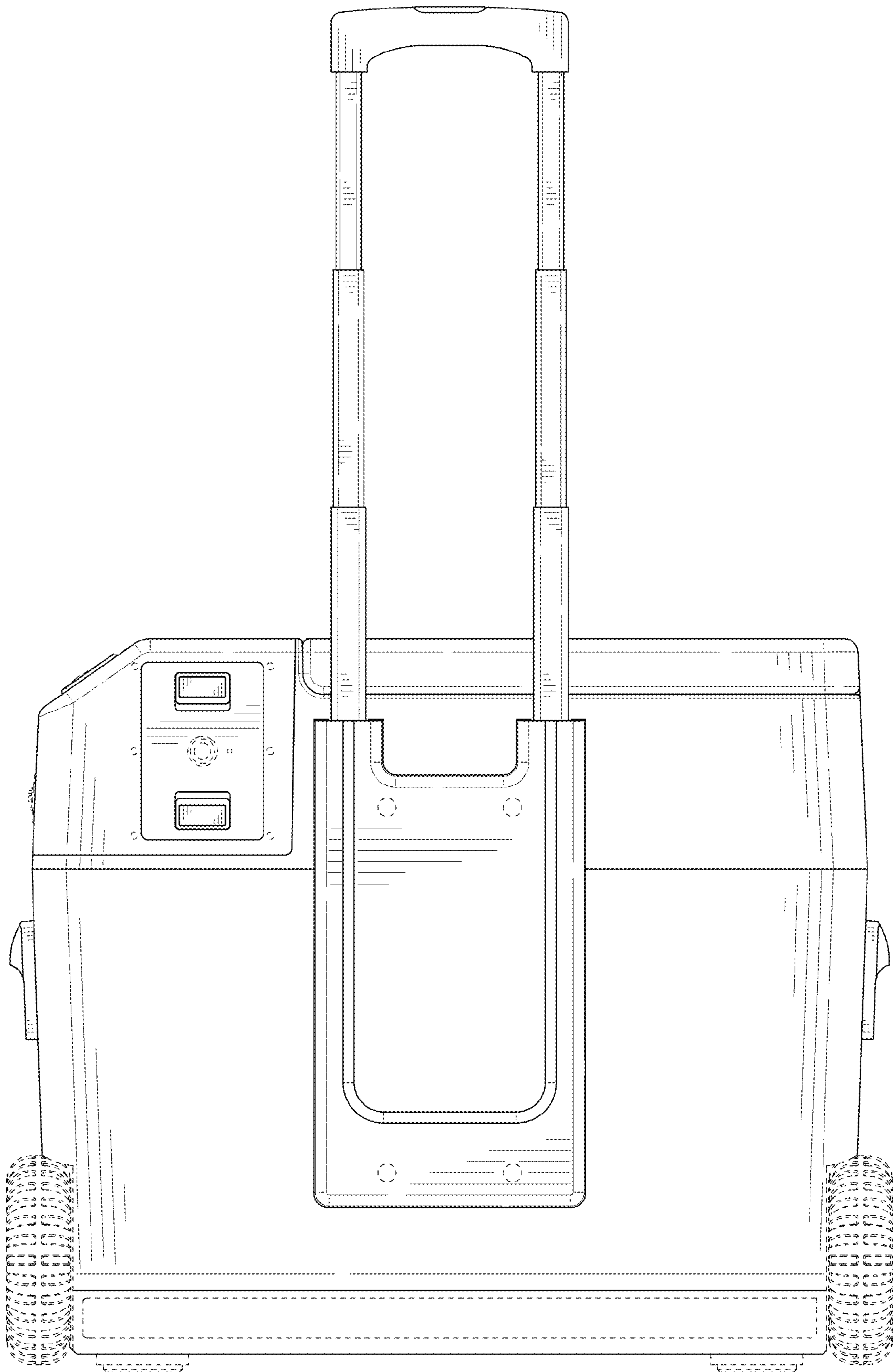


FIG. 6

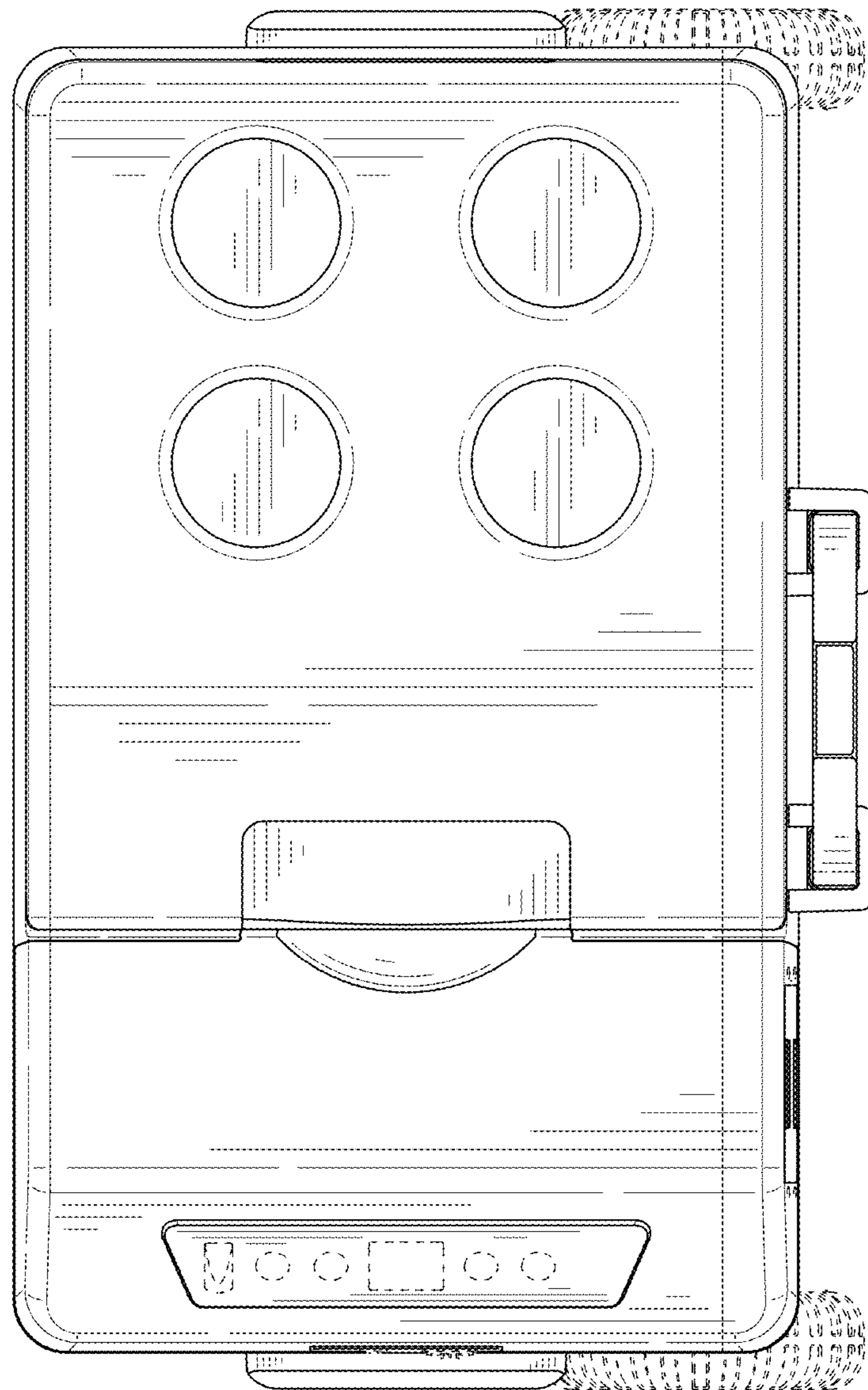


FIG. 7

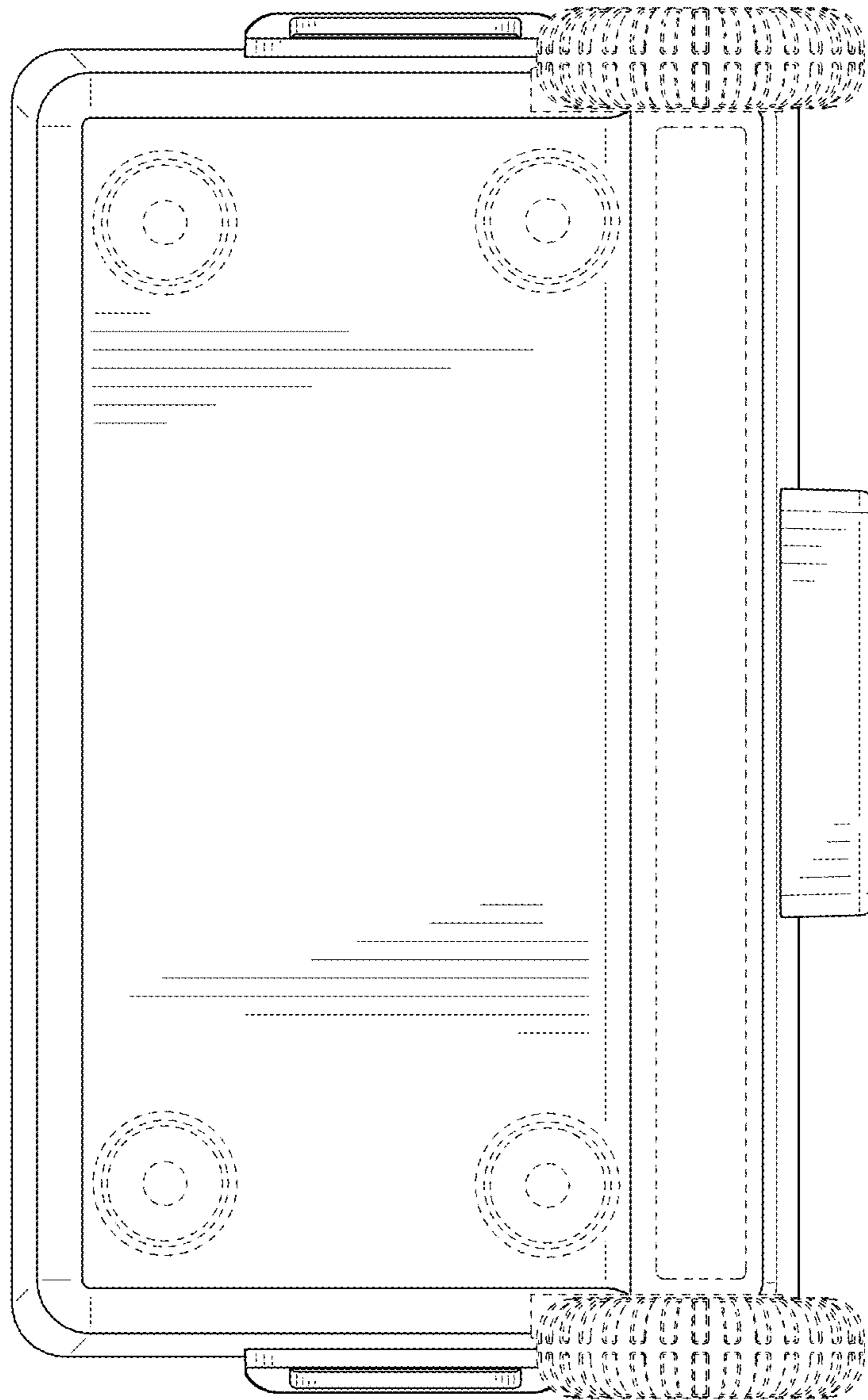


FIG. 8

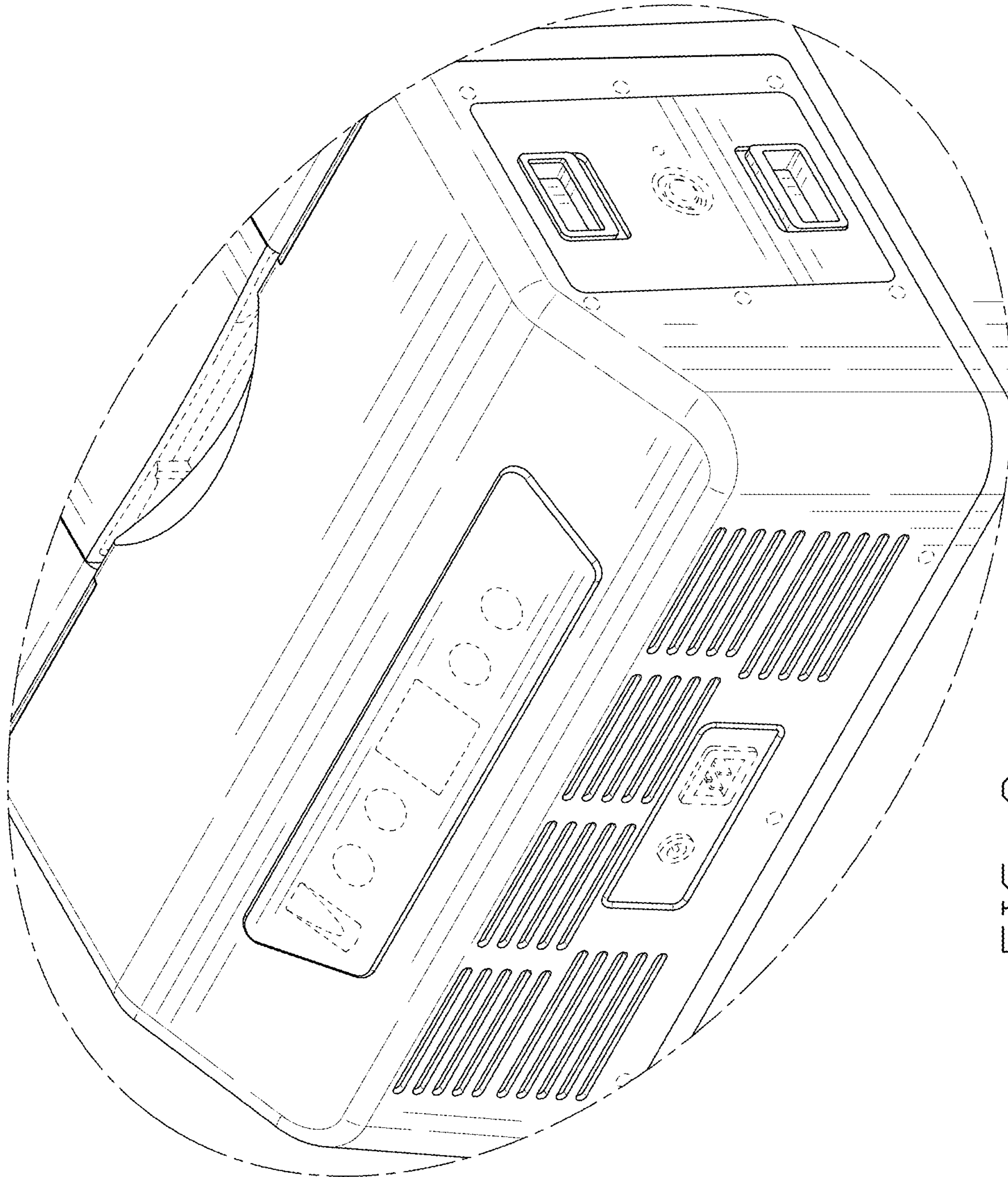


FIG. 9