



US00D905128S

(12) **United States Design Patent** (10) **Patent No.:** **US D905,128 S**
Bell et al. (45) **Date of Patent:** **** Dec. 15, 2020**

(54) **ICELESS COOLER**

(56) **References Cited**

(71) Applicant: **Furrion Property Holding Limited**,
Hong Kong (HK)
(72) Inventors: **Steven Neill Bell**, Hong Kong (HK);
Matthew David Fidler, Hong Kong
(HK); **Bernard San Lap Lo**, Hong
Kong (HK); **Wesley Tong**, Hong Kong
(HK); **Wai Sang Chan Vincent**, Hong
Kong (HK)

U.S. PATENT DOCUMENTS

D802,630 S * 11/2017 Li D15/81
D822,721 S * 7/2018 Tschopp D15/79
D828,408 S * 9/2018 Huang D15/81
D829,244 S * 9/2018 Sullivan D15/79
D836,993 S * 1/2019 Meda D7/605
D851,138 S * 6/2019 Murobayashi D15/81
D855,667 S * 8/2019 Shu D15/79
D862,528 S * 10/2019 Sullivan D15/79

(73) Assignee: **Furrion Property Holding Limited**,
Hong Kong (HK)

OTHER PUBLICATIONS

U.S. Appl. No. 29/696,582, filed Jun. 28, 2019, 8 pages.

(**) Term: **15 Years**

* cited by examiner

(21) Appl. No.: **29/675,709**

Primary Examiner — Khawaja Anwar

(22) Filed: **Jan. 4, 2019**

(74) *Attorney, Agent, or Firm* — Faegre Drinker Biddle &
Reath LLP

(51) **LOC (12) Cl.** **15-07**

(57) **CLAIM**

The ornamental design for an iceless cooler, as shown and
described.

(52) **U.S. Cl.**
USPC **D15/81**

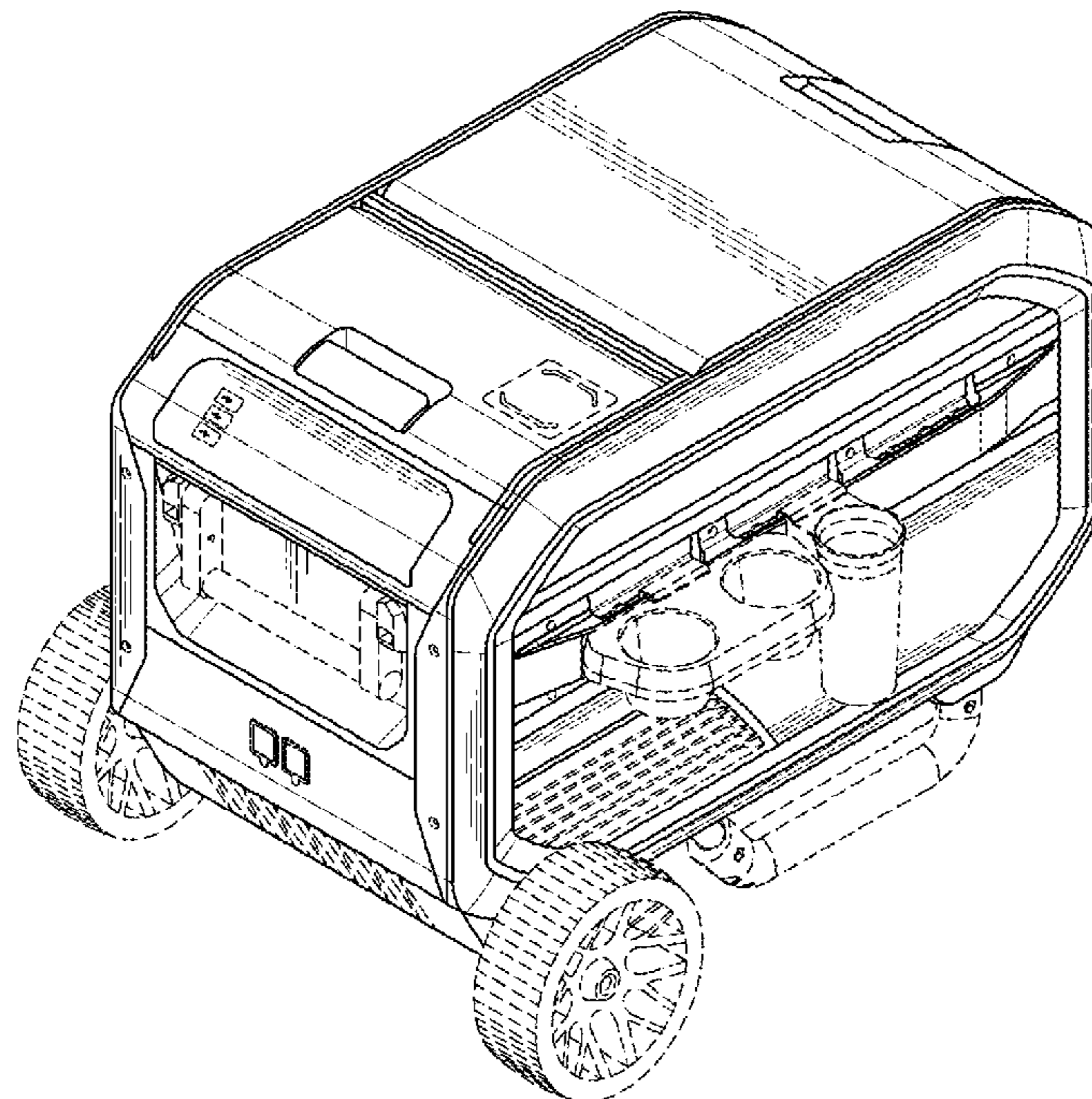
DESCRIPTION

(58) **Field of Classification Search**
USPC D15/79–91; D7/603–608; D3/272–274
CPC F25D 17/02; F25D 11/003; F25D 19/003;
F25D 19/02; F25D 21/04; F25D 2201/14;
F25D 2331/803; F25D 2331/805; F25D
23/006; F25D 23/028; F25D 23/065;
F25D 23/066; F25D 23/085; F25D
2400/20; F25D 2400/28; F25D 2400/38;
F25D 2700/16; F25D 29/00; F25D
29/003; F25D 29/005; F25D 31/006;
F25D 31/007

FIG. 1 is a front perspective view of an iceless cooler,
illustrating our new design;
FIG. 2 is a front elevation view thereof;
FIG. 3 is a rear elevation view thereof;
FIG. 4 is a left side elevation view thereof;
FIG. 5 is a right side elevation view thereof;
FIG. 6 is a top plan view thereof; and,
FIG. 7 is a bottom plan view thereof.
The broken lines in the drawings illustrate portions of the
iceless cooler that form no part of the claimed design.

See application file for complete search history.

1 Claim, 7 Drawing Sheets



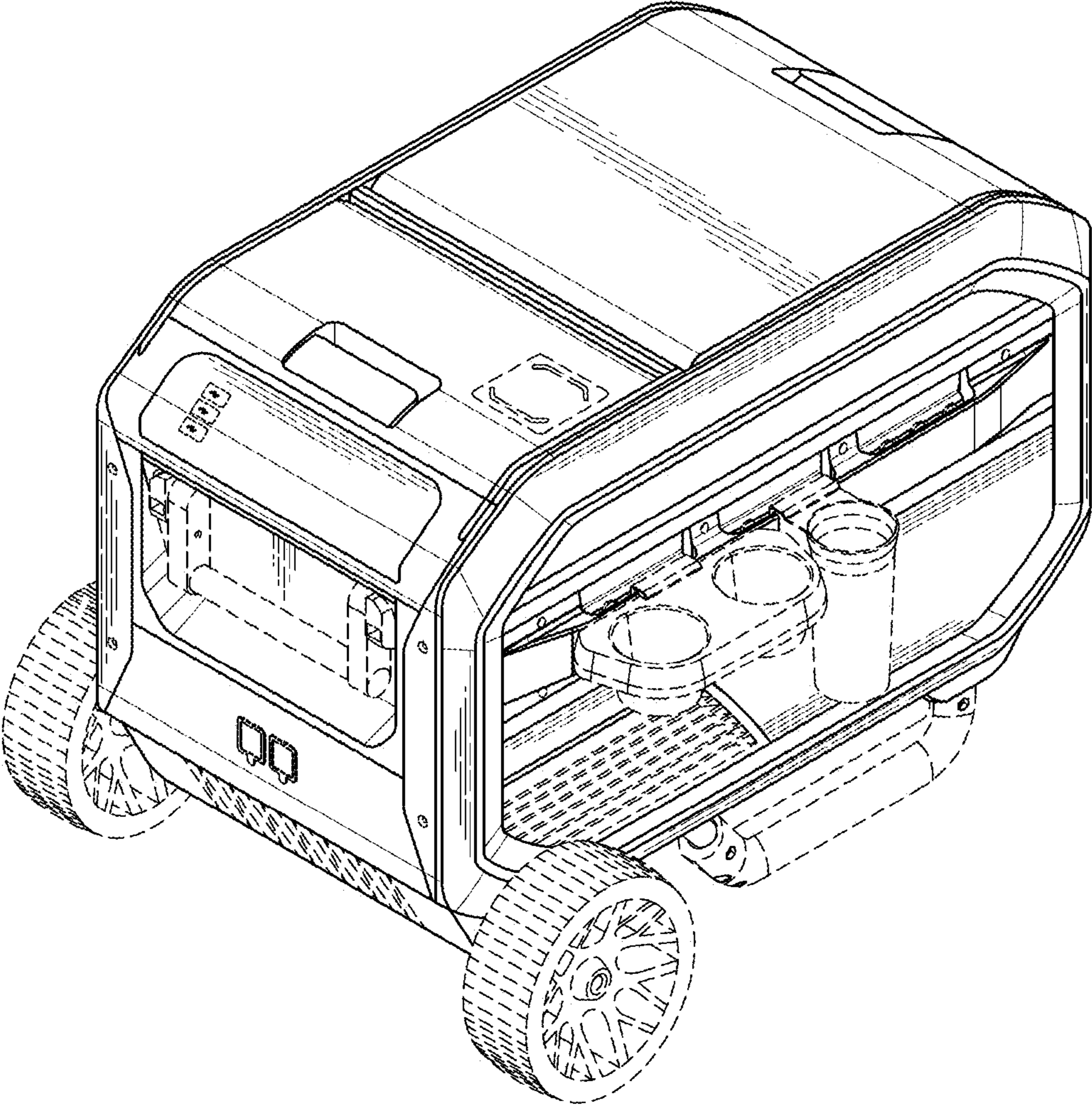


FIG. 1

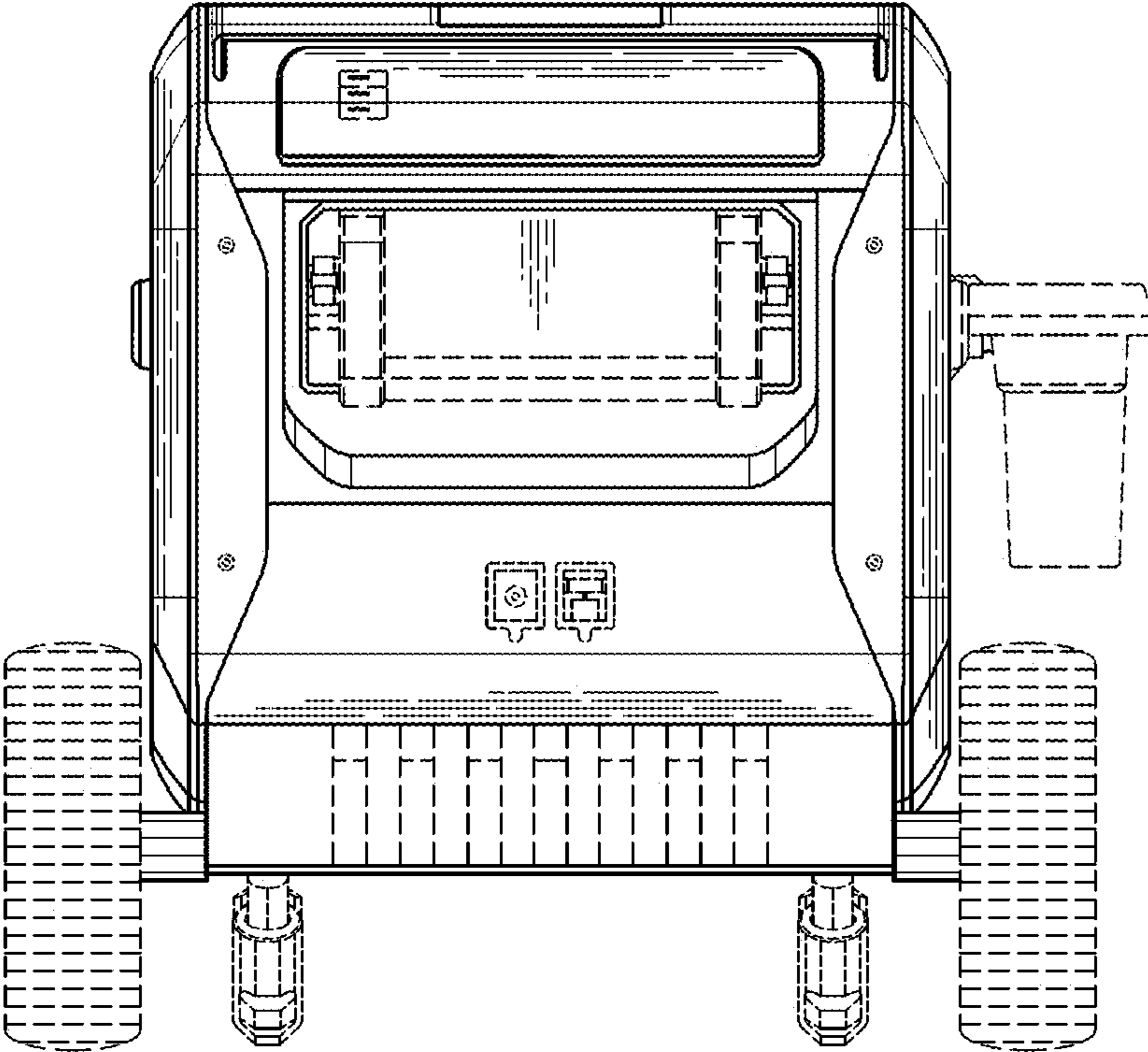


FIG. 2

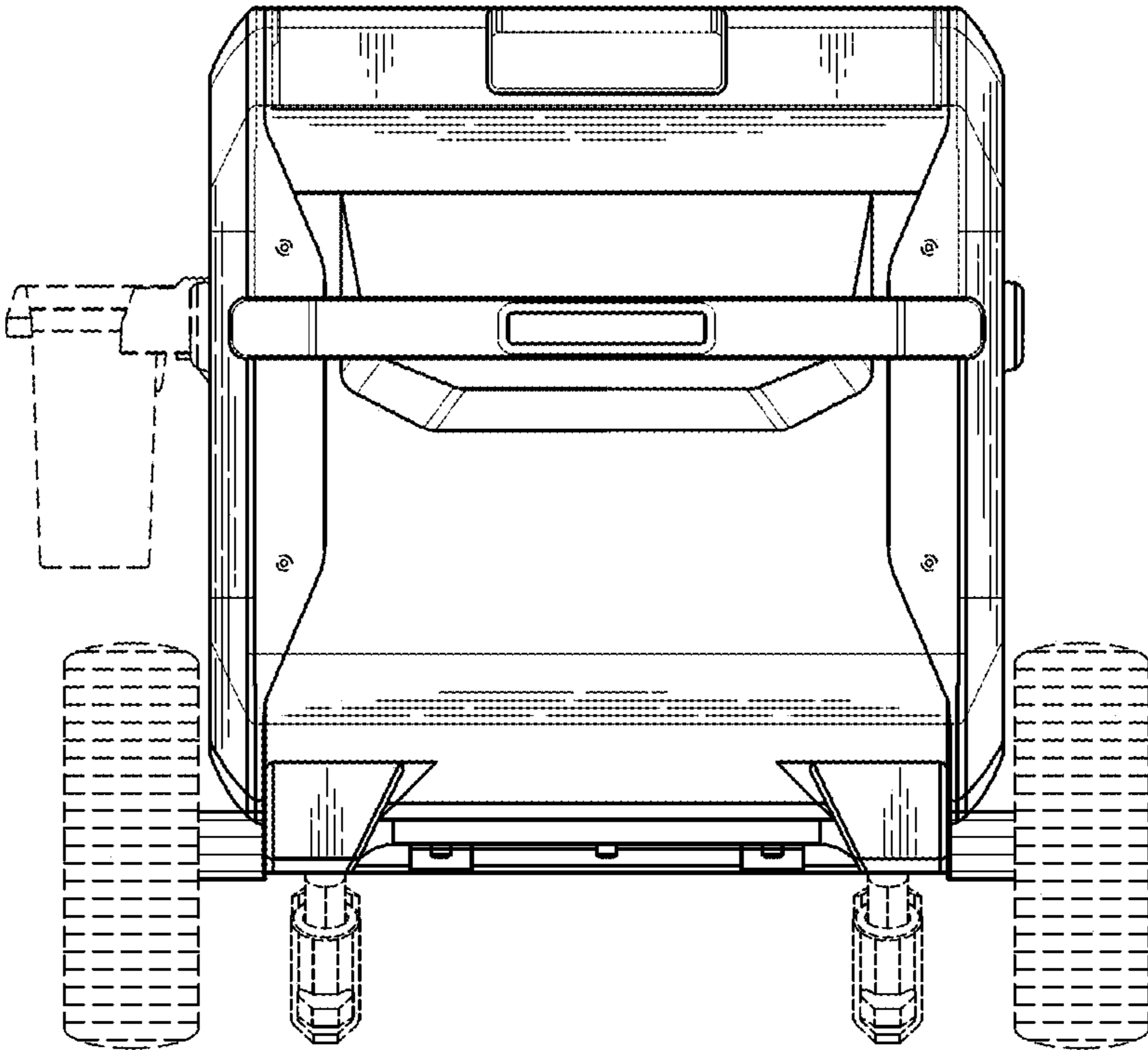


FIG. 3

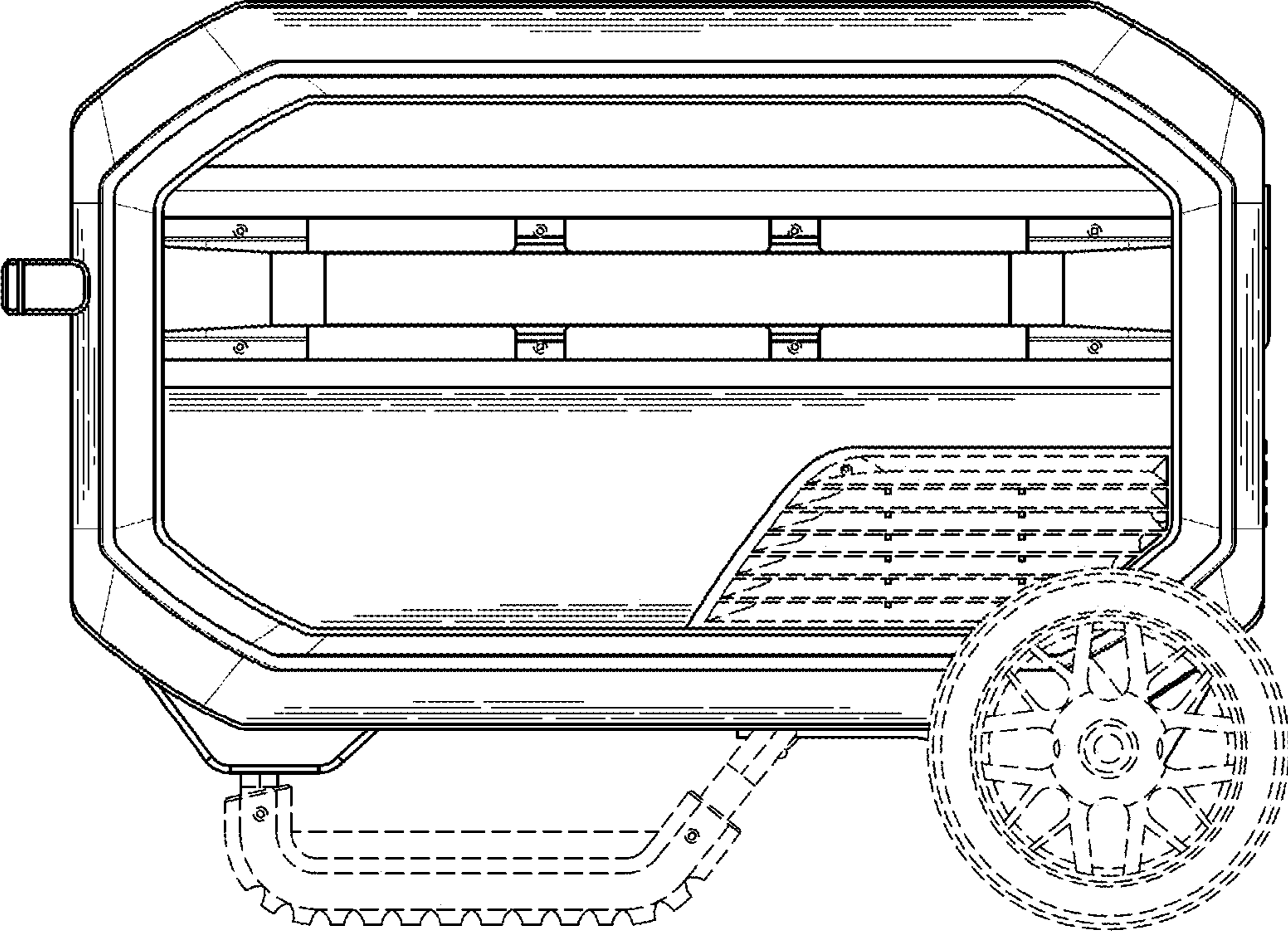


FIG. 4

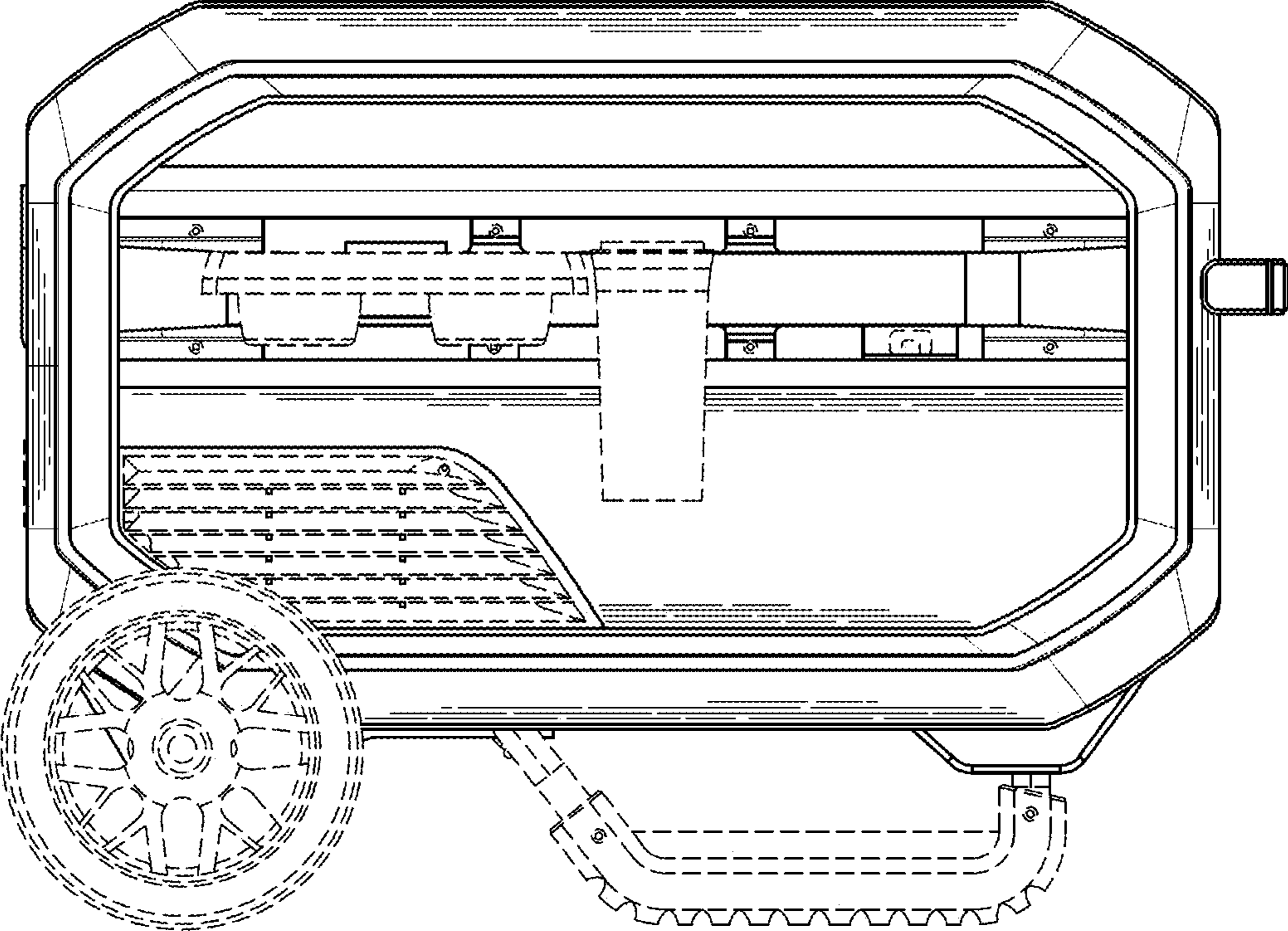


FIG. 5

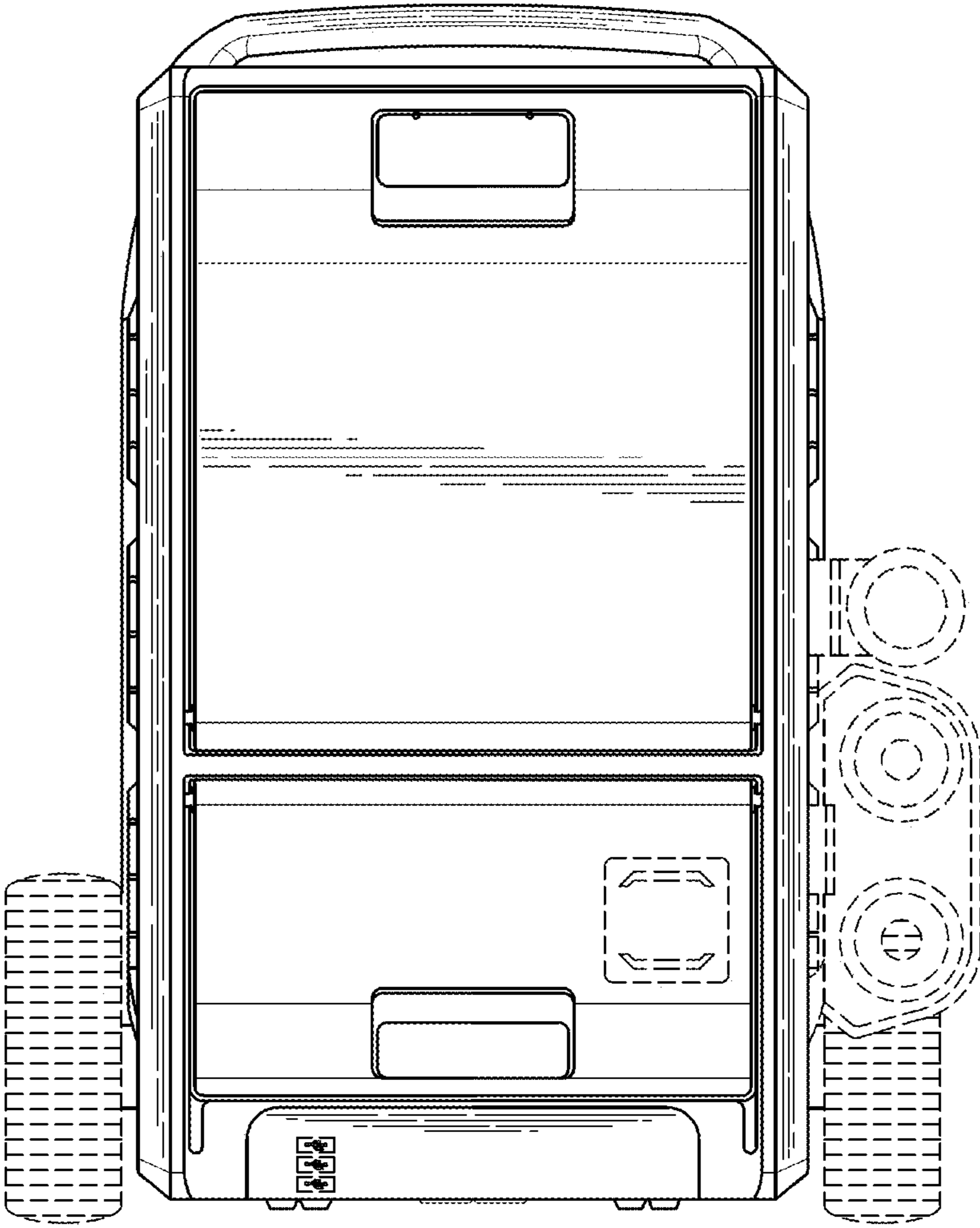


FIG. 6

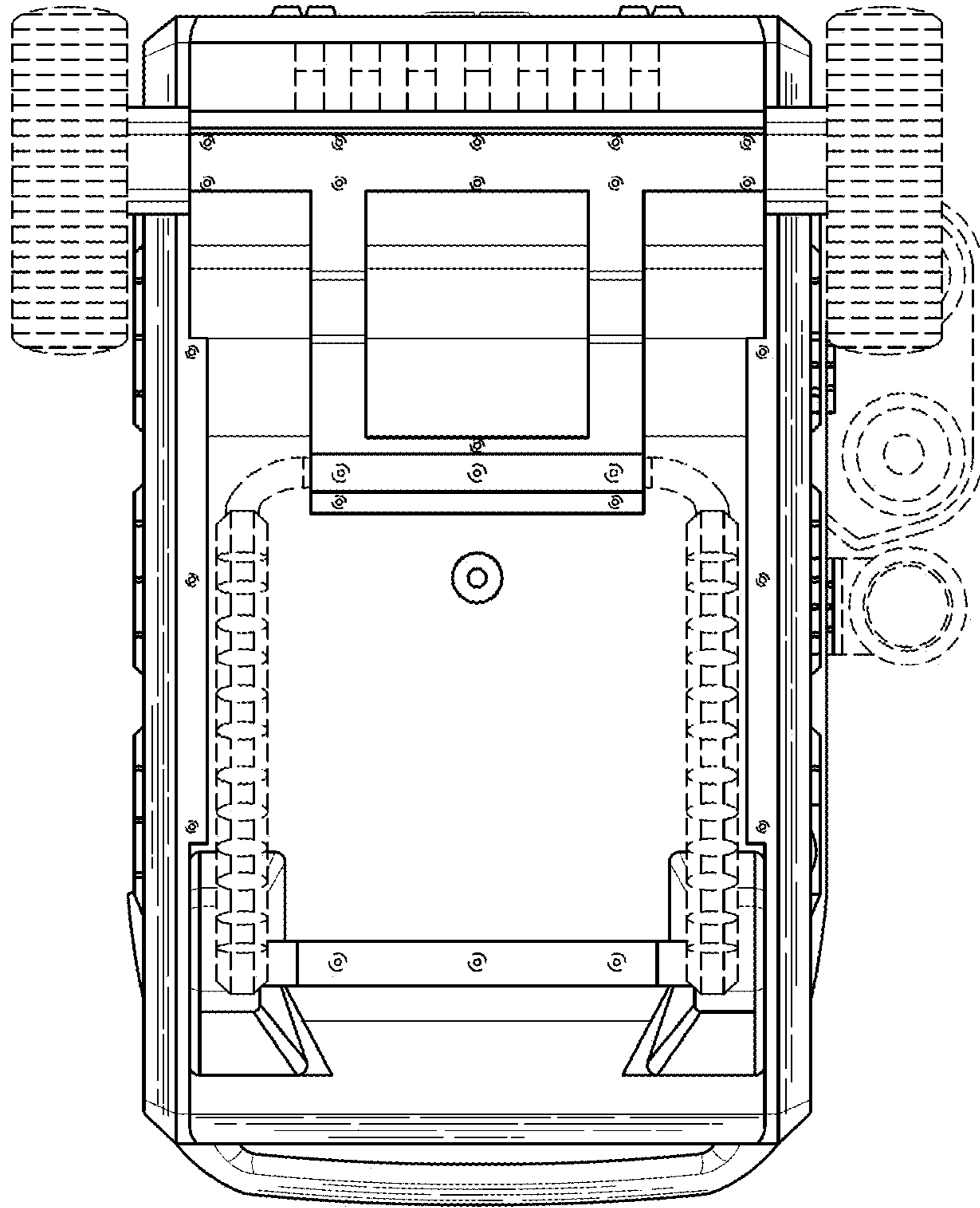


FIG. 7