



US00D905127S

(12) **United States Design Patent** (10) **Patent No.:** **US D905,127 S**
Lee et al. (45) **Date of Patent:** **** Dec. 15, 2020**

(54) **REFRIGERATED DRINKS COMPARTMENT FOR AUTONOMOUS VEHICLE**

(71) Applicant: **LG ELECTRONICS INC.**, Seoul (KR)

(72) Inventors: **Younghwan Lee**, Seoul (KR); **Hyunjin Yoon**, Seoul (KR)

(73) Assignee: **LG Electronics Inc.**, Seoul (KR)

(**) Term: **15 Years**

(21) Appl. No.: **35/507,817**

(22) Filed: **May 21, 2019**

(80) **Hague Agreement Data**

Int. Filing Date: **May 21, 2019**
Int. Reg. No.: **DM/203909**
Int. Reg. Date: **May 21, 2019**
Int. Reg. Pub. Date: **Nov. 22, 2019**

(30) **Foreign Application Priority Data**

Dec. 10, 2018 (KR) 30-2018-0058070

(51) **LOC (12) Cl.** **15-07**

(52) **U.S. Cl.**
USPC **D15/79**
CPC **F25D 23/02** (2013.01)

(58) **Field of Classification Search**

USPC D15/79-91
CPC F25D 17/065; F25D 23/04; F25D 23/02;
F25D 23/126; F25D 2400/06; F25D 2317/061; F25D 23/028; F25D 25/025;
F25D 2317/0666; F25D 29/00; F25D 11/02; F25D 11/022; F25D 2317/062;
F25D 2317/067; F25D 2323/021; F25D 2400/40; F25D 2317/04131; F25D 2317/043; F25D 2317/0651; F25D 2317/0664; F25D 317/0681; F25D 2317/0683; F25D 2323/00264; F25D 2323/121; F25D 2323/122; F25D

2325/022; F25D 23/00; F25D 23/021; F25D 23/064; F25D 23/067; F25D 2323/024; F25D 23/065; F25D 11/00; F25D 2201/14; F25D 23/025; F25D 27/00; F25D 23/062; F25D 2400/18

See application file for complete search history.

(56) **References Cited**

U.S. PATENT DOCUMENTS

D256,587 S * 8/1980 Tatsumi D15/83
D267,323 S * 12/1982 Ogiwara D15/83
4,823,554 A * 4/1989 Trachtenberg A47J 36/26
62/239
D304,263 S * 10/1989 Mull D12/419
D323,932 S * 2/1992 Hudgens D12/419
D350,048 S * 8/1994 Kahl D7/605

(Continued)

Primary Examiner — Richard E Chilcot

(74) *Attorney, Agent, or Firm* — Birch, Stewart, Kolasch & Birch, LLP

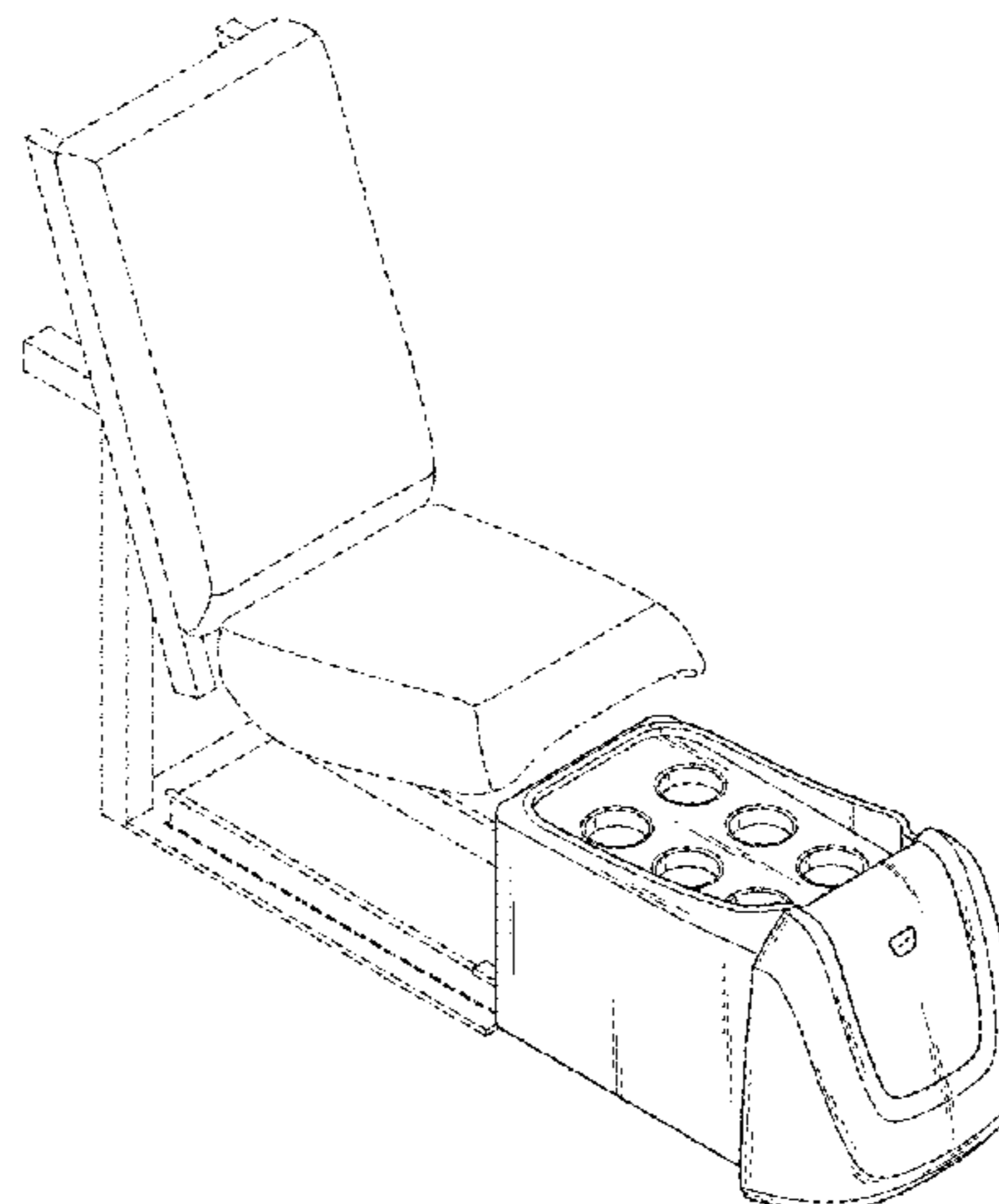
(57) **CLAIM**

The ornamental design for a refrigerated drinks compartment for autonomous vehicle, as shown and described.

DESCRIPTION

- 1. Refrigerated drinks compartment for autonomous vehicle
- 1.1 : Perspective
- 1.2 : Front
- 1.3 : Back
- 1.4 : Left
- 1.5 : Right
- 1.6 : Top
- 1.7 : Bottom
- 1.8 : Perspective view showing the refrigerated drinks compartment in a closed position
- 1.9 : Perspective view showing the refrigerated drinks compartment in an open position

(Continued)



The broken lines represent environmental matter and/or unclaimed portions of the autonomous vehicle and form no part of the claimed design.

1 Claim, 9 Drawing Sheets

(56)

References Cited

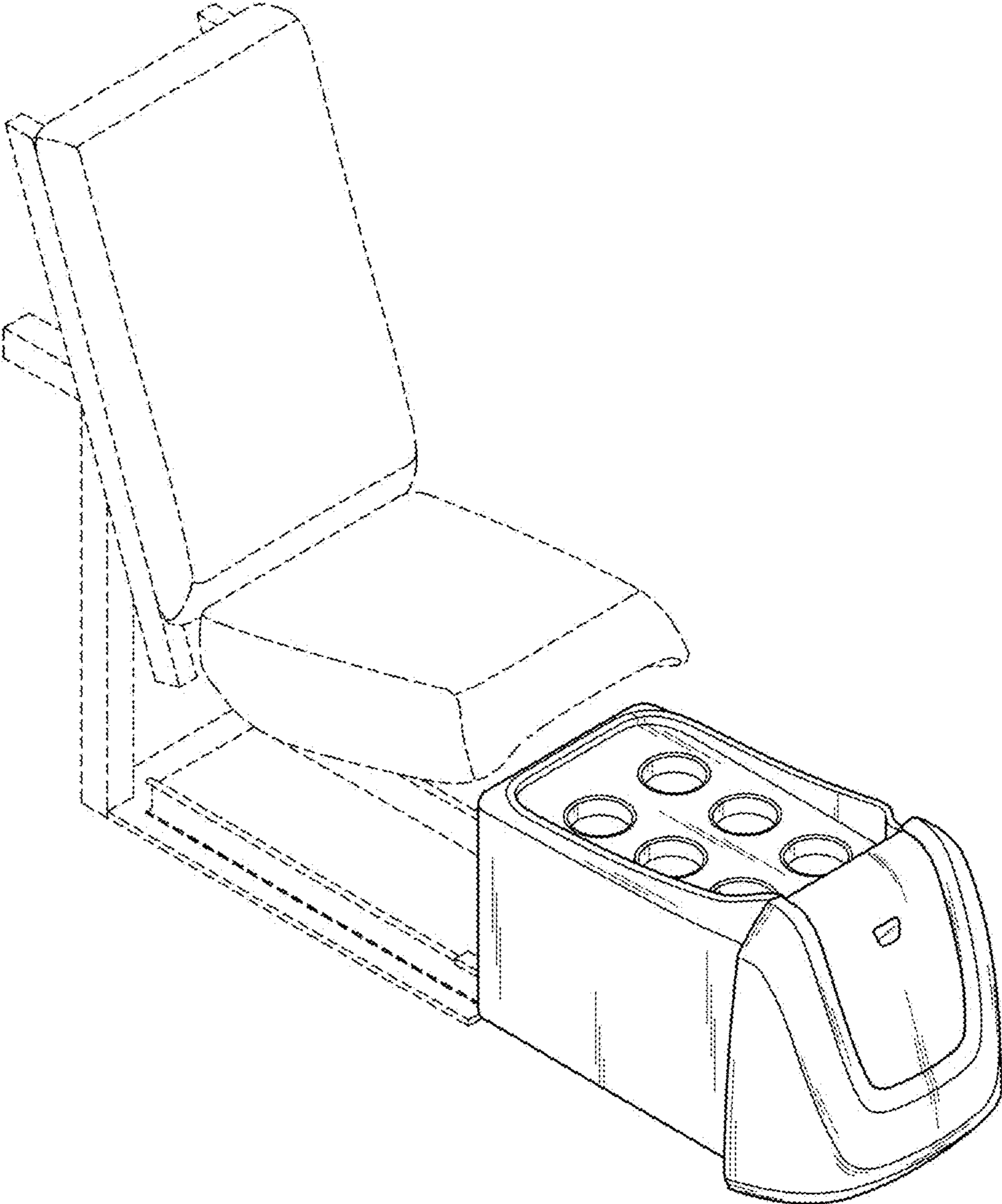
U.S. PATENT DOCUMENTS

D359,266 S *	6/1995	Karp	D12/419
D368,206 S *	3/1996	Wedi	D7/605
D375,480 S *	11/1996	Smith	D12/419
D434,721 S *	12/2000	Lieberman	D12/419
D444,120 S *	6/2001	Smith	D12/419
D454,892 S *	3/2002	Black	D15/83
D459,636 S *	7/2002	Krieger	D7/605

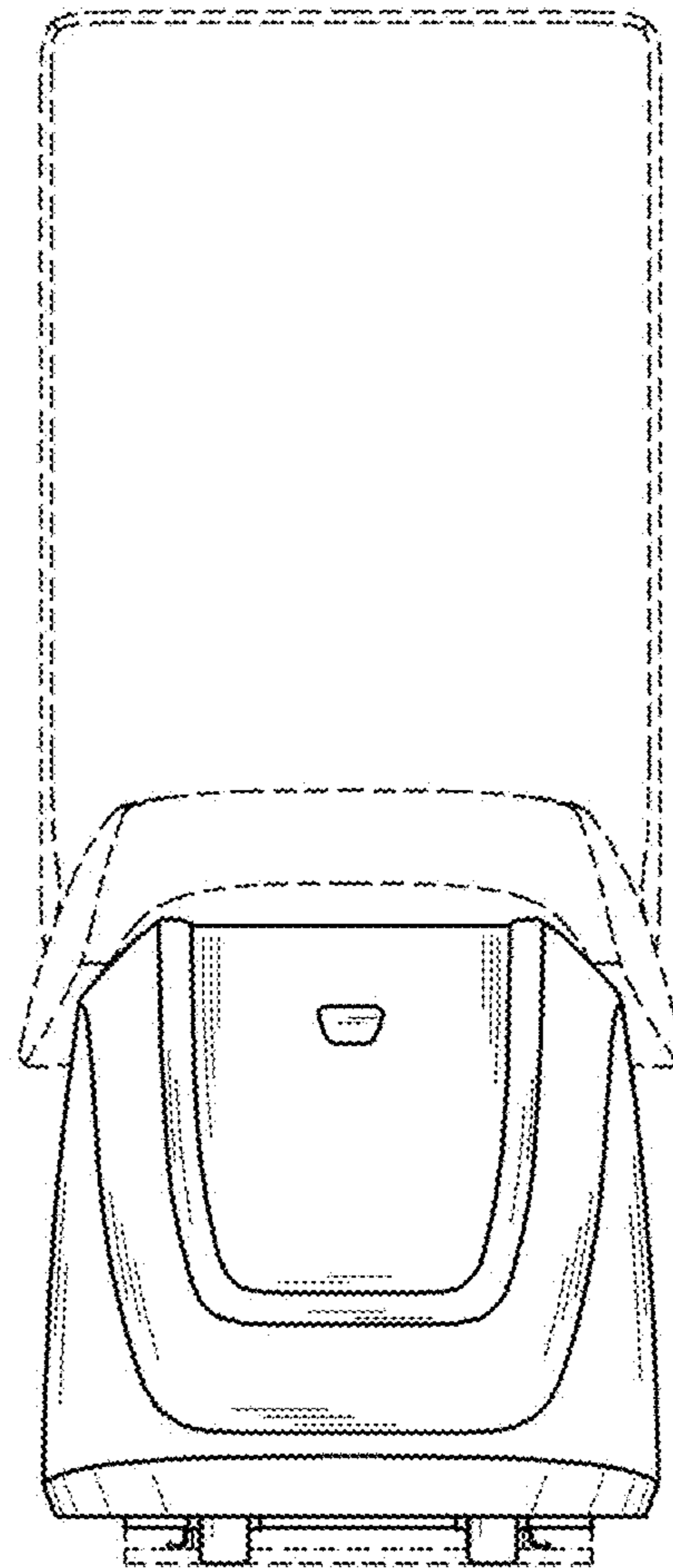
D462,878 S *	9/2002	Krieger	D7/605
D478,102 S *	8/2003	Utsugi	D15/83
D480,274 S *	10/2003	Yuen	D7/605
D480,275 S *	10/2003	Yuen	D7/605
D491,959 S *	6/2004	Yuen	D15/83
D500,057 S *	12/2004	Reuter	D15/83
D515,361 S *	2/2006	Yuen	D7/605
D536,581 S *	2/2007	Yuen	D7/605
D545,633 S *	7/2007	Hussaini	D7/605
D589,870 S *	4/2009	Saint-Jalmes	D12/345
D611,401 S *	3/2010	Saint-Jalmes	D12/425
D620,032 S *	7/2010	Kristiansen	D15/83
D630,159 S *	1/2011	Saint-Jalmes	D12/425
D634,698 S *	3/2011	Saint-Jalmes	D12/423
D651,966 S *	1/2012	Hwang	D12/419
D694,701 S *	12/2013	Ouellette	D12/415
D876,492 S *	2/2020	Egan	D15/81
D880,540 S *	4/2020	Xie	D15/83

* cited by examiner

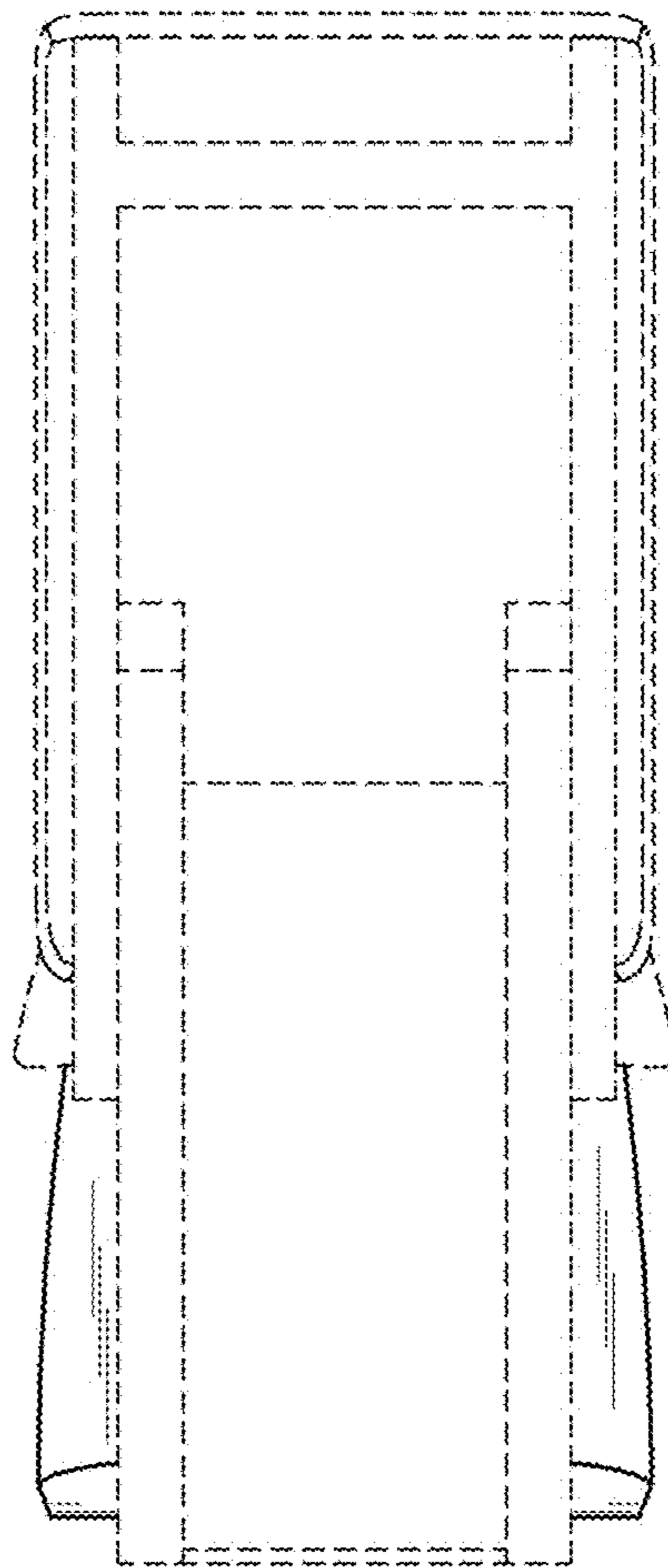
1.1



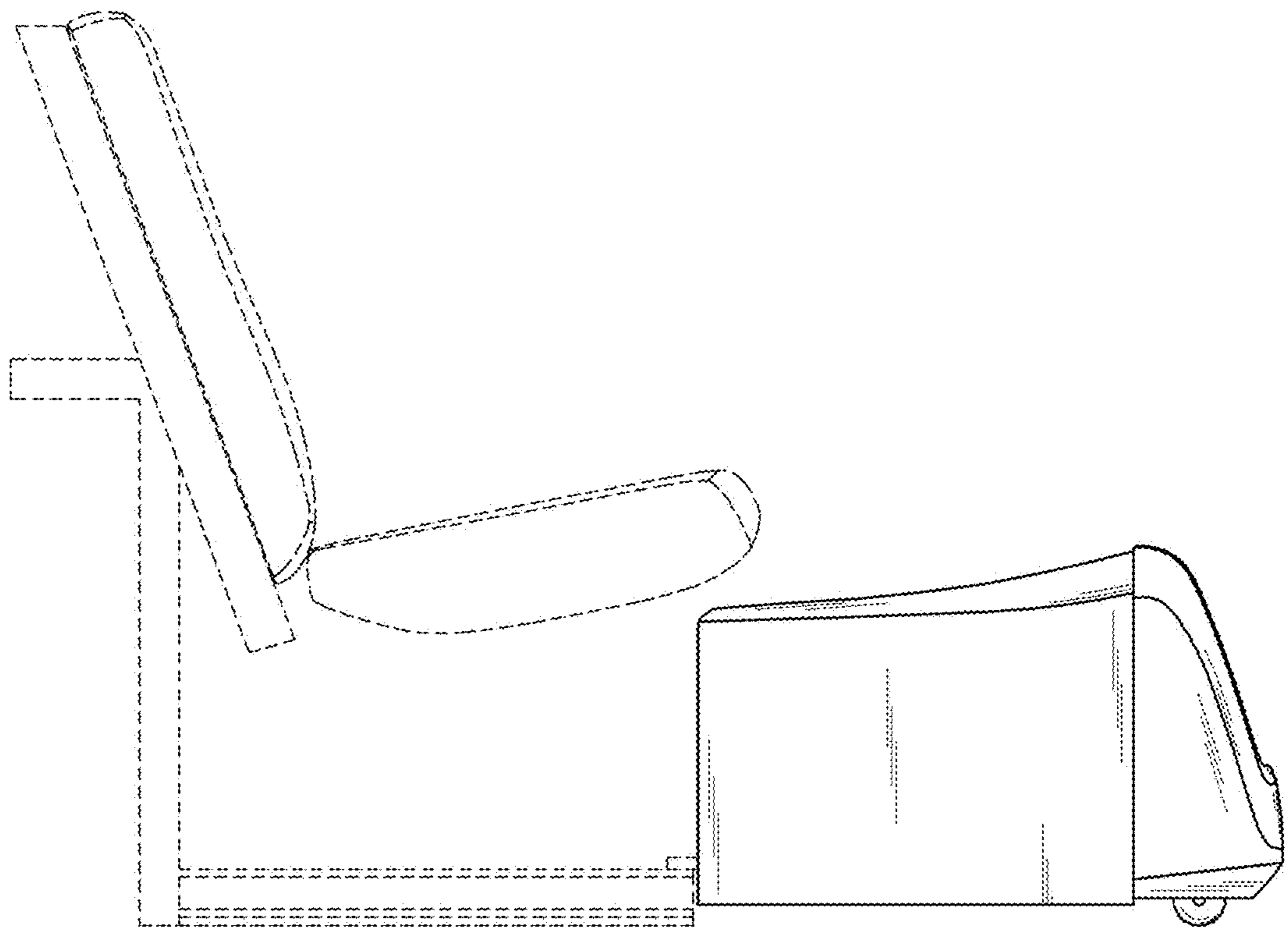
1.2



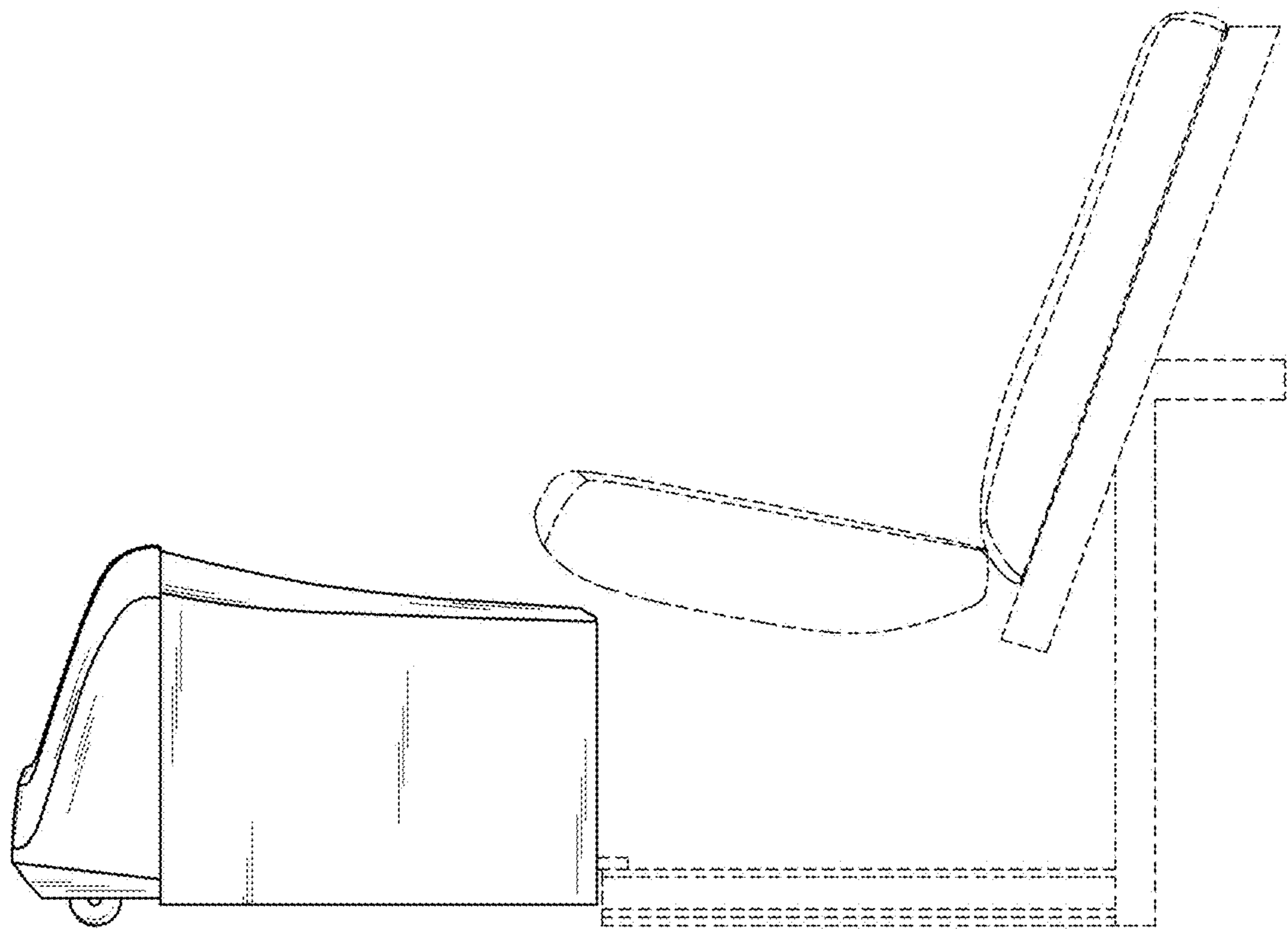
1.3



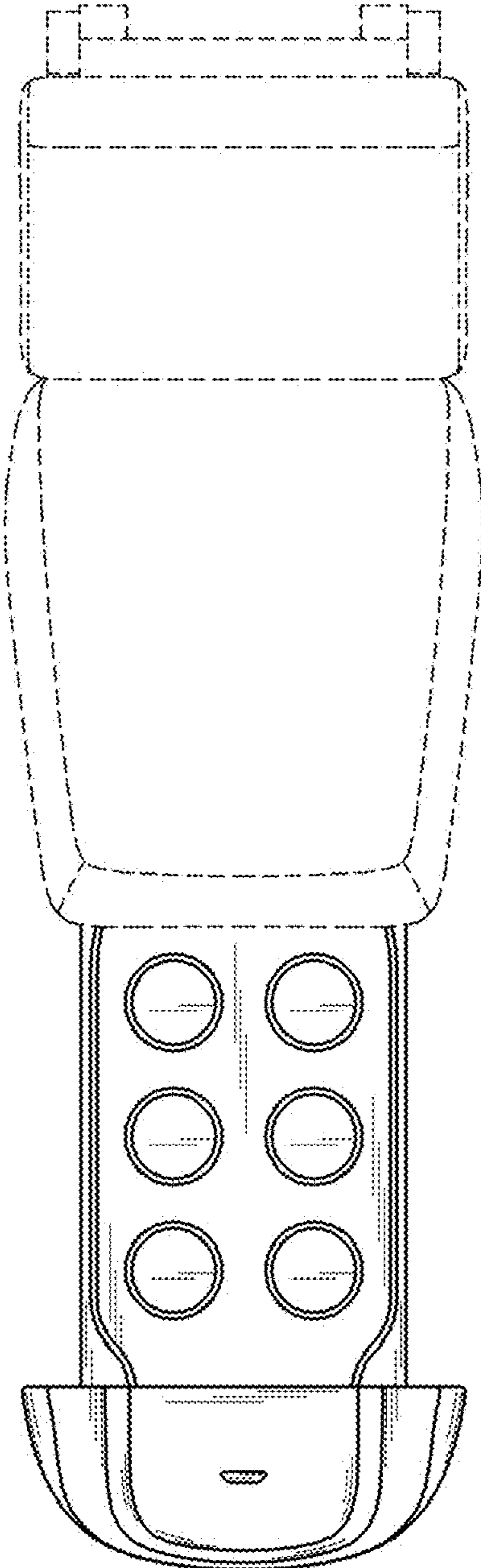
1.4



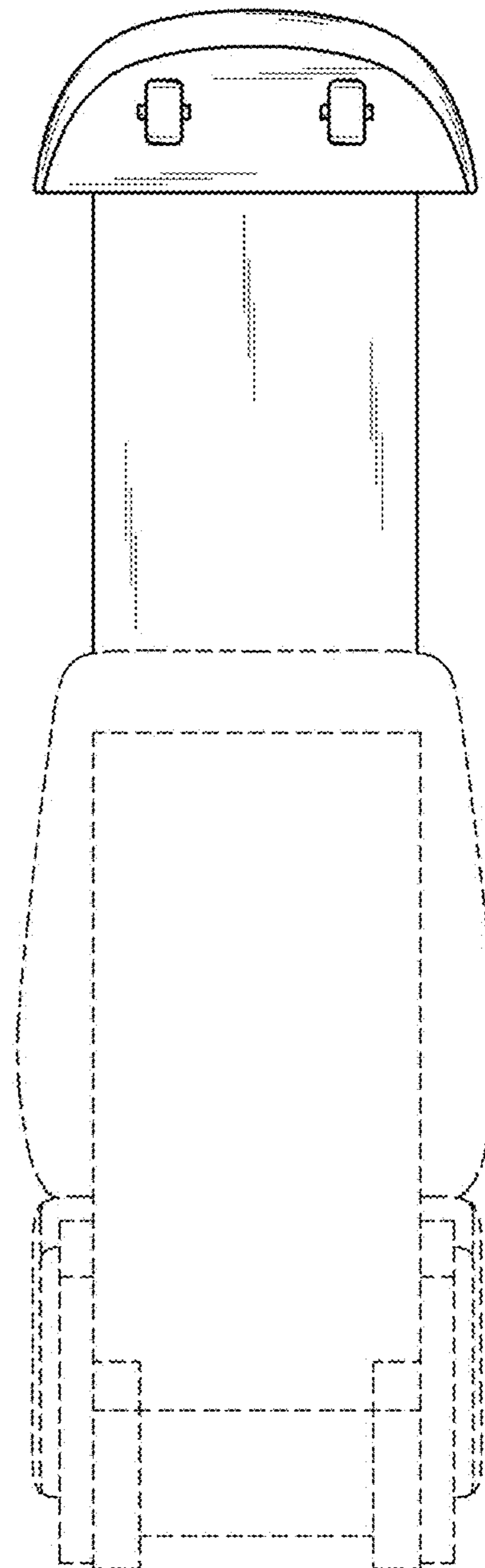
1.5



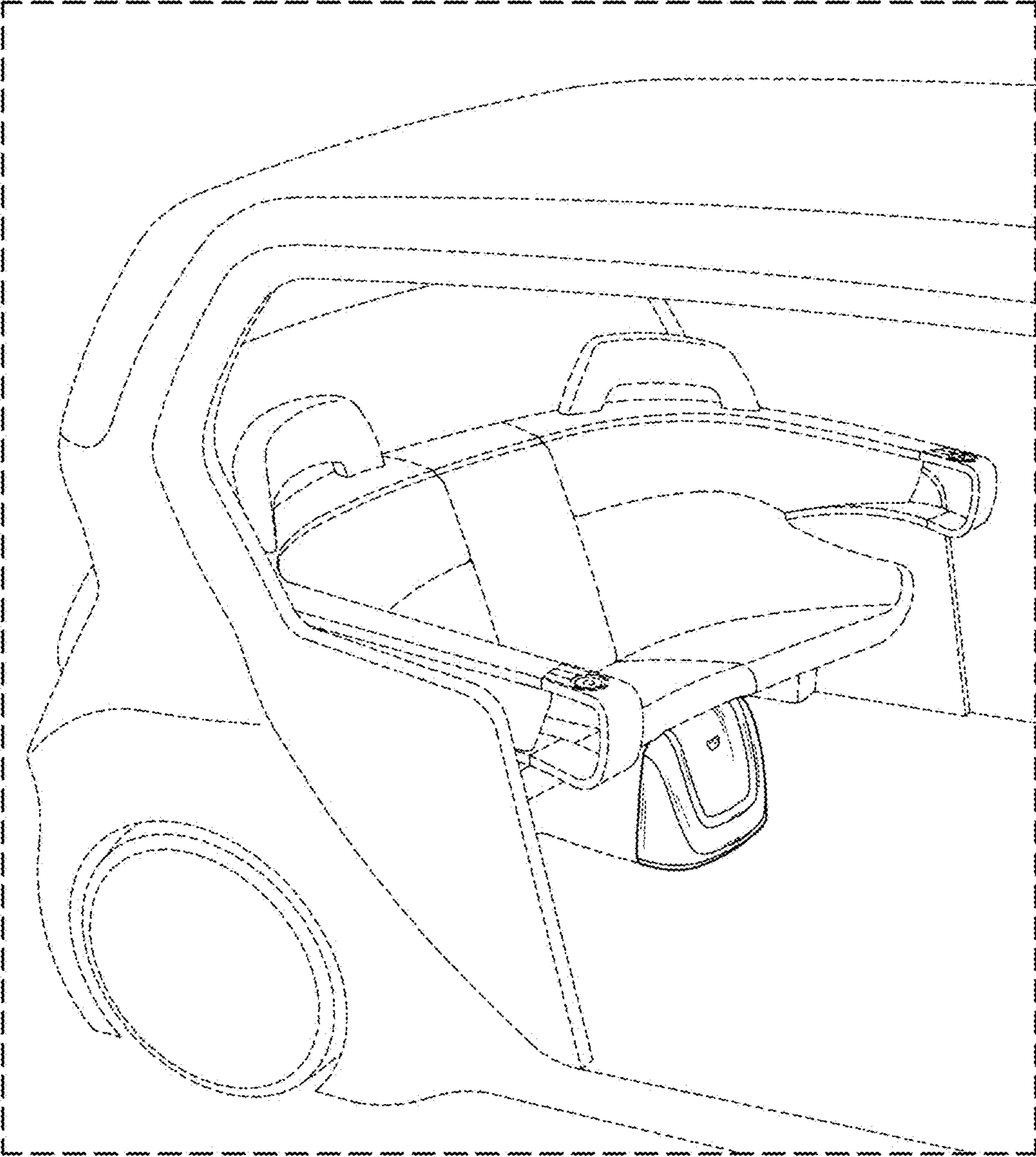
1.6



1.7



1.8



1.9

