



US00D905122S

(12) **United States Design Patent** (10) **Patent No.:** **US D905,122 S**
Sivasankaran et al. (45) **Date of Patent:** **** Dec. 15, 2020**

(54) **FUEL DISPENSER HOUSING CANOPY**

(71) Applicant: **Gilbarco Veeder Root India Pvt. Ltd.,**
Mumbai (IN)

(72) Inventors: **Udayasankar Thuluvan Parambil**
Sivasankaran, Navi Mumbai (IN);
Chandrashekhar Madhusudan
Wyawahare, Pune (IN)

(73) Assignee: **Gilbarco Veeder Root India Pvt. Ltd.,**
Mumbai (IN)

(**) Term: **15 Years**

(21) Appl. No.: **29/680,422**

(22) Filed: **Feb. 15, 2019**

(51) **LOC (12) Cl.** **15-02**

(52) **U.S. Cl.**
USPC **D15/9.1**

(58) **Field of Classification Search**
USPC D15/7-9.3; D25/18, 26, 28; D99/28
CPC B67D 7/04; B67D 7/78; B67D 7/145
See application file for complete search history.

(56) **References Cited**

U.S. PATENT DOCUMENTS

4,576,312	A	*	3/1986	Swick, Jr.	B67D 7/06
						222/173
D414,781	S	*	10/1999	Wilson	D15/9.2
D415,167	S	*	10/1999	Wilson	D15/9.2
D415,168	S	*	10/1999	Wilson	D15/9.2
D415,169	S	*	10/1999	Wilson	D15/9.2
D415,172	S	*	10/1999	Wilson	D15/9.2
D415,501	S	*	10/1999	Wilson	D15/9.2
D422,285	S	*	4/2000	Wilson	D15/9.2
D435,051	S	*	12/2000	Wilson	D15/9.1
D440,579	S	*	4/2001	Wilson	D15/9.2
D488,280	S	*	4/2004	Zerman	D99/28
D553,648	S	*	10/2007	Laya H.	D15/9.1
D570,376	S	*	6/2008	Friend, Jr.	D15/9.1

D655,315	S	*	3/2012	Helgesson	D15/9.1
D659,748	S		5/2012	Helgesson et al.		
D664,997	S		8/2012	Helgesson et al.		
D667,846	S	*	9/2012	Helgesson	D15/9.2
D677,284	S	*	3/2013	Helgesson	D15/9.2
D679,745	S		4/2013	Helgesson et al.		
D681,681	S	*	5/2013	Schmelzer	D15/9.2
D681,682	S	*	5/2013	Schmelzer	D15/9.2

(Continued)

OTHER PUBLICATIONS

Found on Gilbarco Veeder-Root website, [site visited Mar. 24, 2020]. Shown on internet URL: <<https://www.gilbarco.com/eu/our-solutions/fuel-dispensers/horizon-ii>> (Year: 2020) (Year: 2020).*

(Continued)

Primary Examiner — Sheryl Lane

Assistant Examiner — Mark T Philipps

(74) *Attorney, Agent, or Firm* — Nelson Mullins Riley & Scarborough, LLP

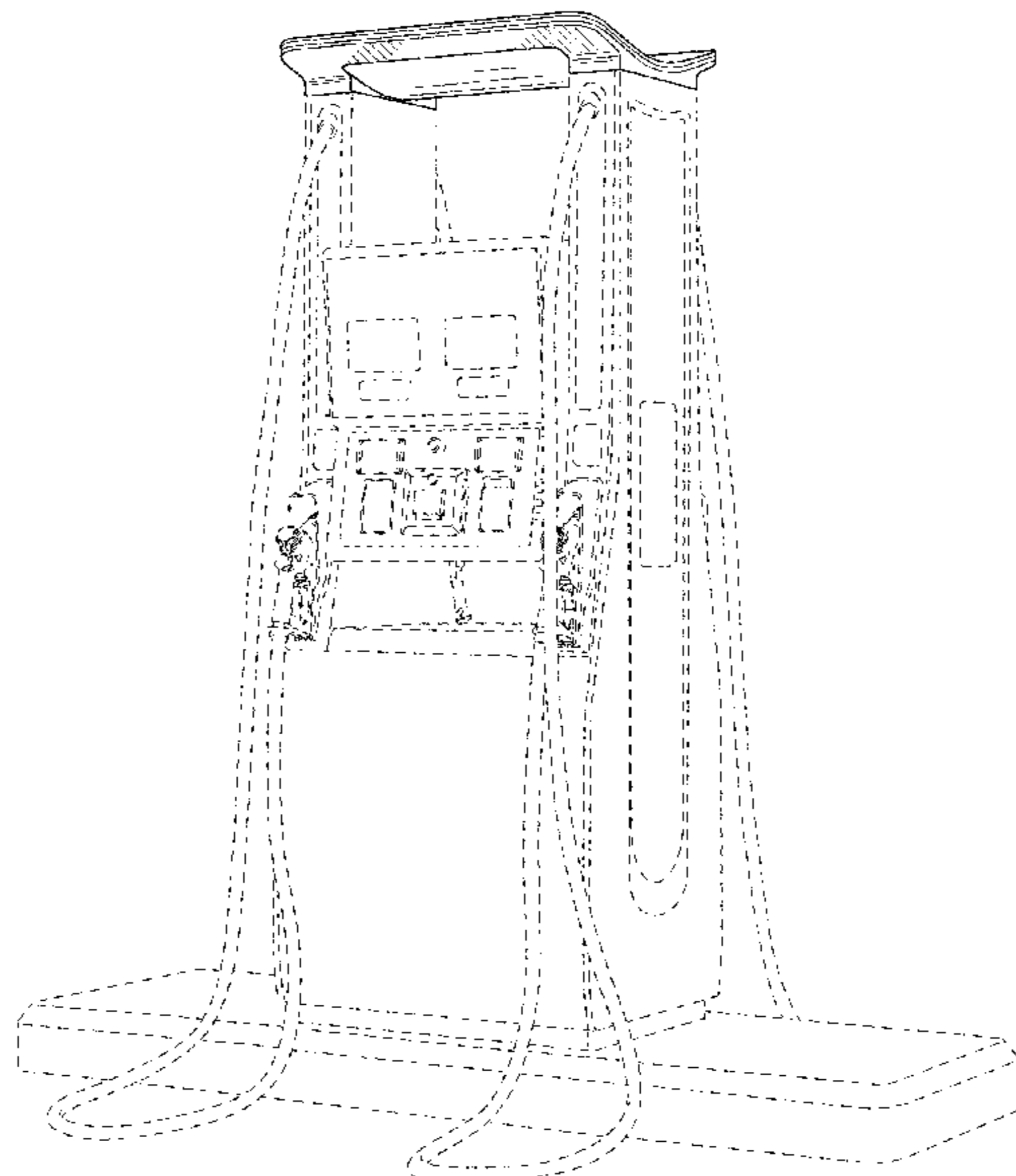
(57) **CLAIM**

The ornamental design for a fuel dispenser housing canopy, substantially as shown and described.

DESCRIPTION

FIG. 1 is a perspective view of a new, original, and ornamental design of a fuel dispenser housing canopy in accordance with the present invention;
FIG. 2 is a front side elevation view thereof;
FIG. 3 is a right side elevation view thereof, with the left side elevation view being identical thereto;
FIG. 4 is a top side plan view thereof;
FIG. 5 is a bottom plan view taken along the line 5-5 of FIG. 3; and,
FIG. 6 is a bottom side plan view thereof.
The broken lines represent portions of the article, and form no part of the claimed design.

1 Claim, 6 Drawing Sheets



(56)

References Cited

U.S. PATENT DOCUMENTS

D681,683 S 5/2013 Schmelzer et al.
 D681,717 S 5/2013 Helgesson et al.
 D688,274 S * 8/2013 Schmelzer D15/9.2
 D688,275 S * 8/2013 Schmelzer D15/9.2
 D700,917 S * 3/2014 Helgesson D15/9.2
 D718,338 S * 11/2014 Helgesson D15/9.2
 D727,365 S 4/2015 Helgesson et al.
 D739,443 S * 9/2015 Larsson D15/9.2
 D745,060 S * 12/2015 Larsson D15/9.2
 D746,875 S * 1/2016 Helgesson D15/9.3
 D758,452 S * 6/2016 Helgesson D15/9.2
 D768,726 S 10/2016 Helgesson et al.
 D775,237 S 12/2016 Helgesson et al.
 D780,809 S * 3/2017 Helgesson D15/9.2
 D809,569 S * 2/2018 Ozeki D15/9.2
 D810,146 S * 2/2018 Reiter D15/9.2
 D824,961 S 8/2018 Helgesson et al.
 D828,405 S * 9/2018 Lee D15/9.1
 D866,607 S * 11/2019 Helgesson D15/9.2
 2018/0012205 A1 * 1/2018 Fieglein G07F 13/025

2018/0079638 A1 * 3/2018 Larsson B65H 75/368
 2018/0105413 A1 * 4/2018 Fieglein G07G 1/14
 2019/0135608 A1 * 5/2019 Carapelli B67D 7/085

OTHER PUBLICATIONS

Found on Wayne Fueling Systems website [site visited Mar. 25, 2020] Shown on internet URL: <<https://www-qa.wayne.com/en/products/helix-fuel-dispenser/>> (Year 2020) (Year: 2020).
 U.S. Appl. No. 29/680,405, filed Feb. 15, 2019 entitled "Fuel Dispenser Housing," all enclosed pages cited.
 U.S. Appl. No. 29/680,407, filed Feb. 15, 2019 entitled "Fuel Dispenser Housing," all enclosed pages cited.
 U.S. Appl. No. 29/680,416, filed Feb. 15, 2019 entitled "Fuel Dispenser Housing Canopy," all enclosed pages cited.
 U.S. Appl. No. 29/680,425, filed Feb. 15, 2019 entitled "Fuel Dispenser Housing," all enclosed pages cited.
 U.S. Appl. No. 29/680,429, filed Feb. 15, 2019 entitled "Fuel Dispenser User Interface Housing," all enclosed pages cited.
 U.S. Appl. No. 29/680,434, filed Feb. 15, 2019 entitled "Fuel Dispenser Housing," all enclosed pages cited.
 U.S. Appl. No. 29/680,436, filed Feb. 15, 2019 entitled "Fuel Dispenser Housing," all enclosed pages cited.

* cited by examiner

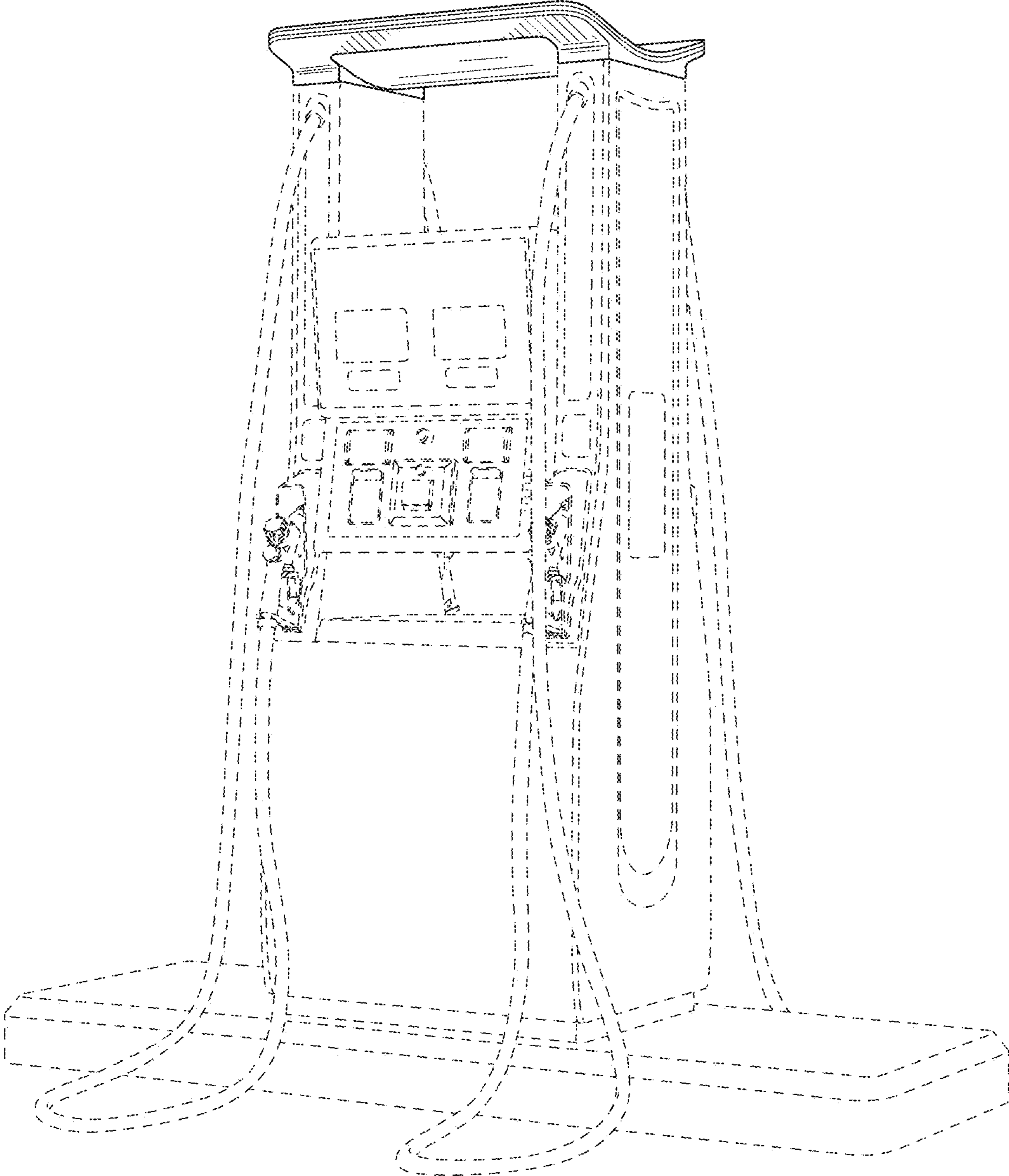


FIG. 1

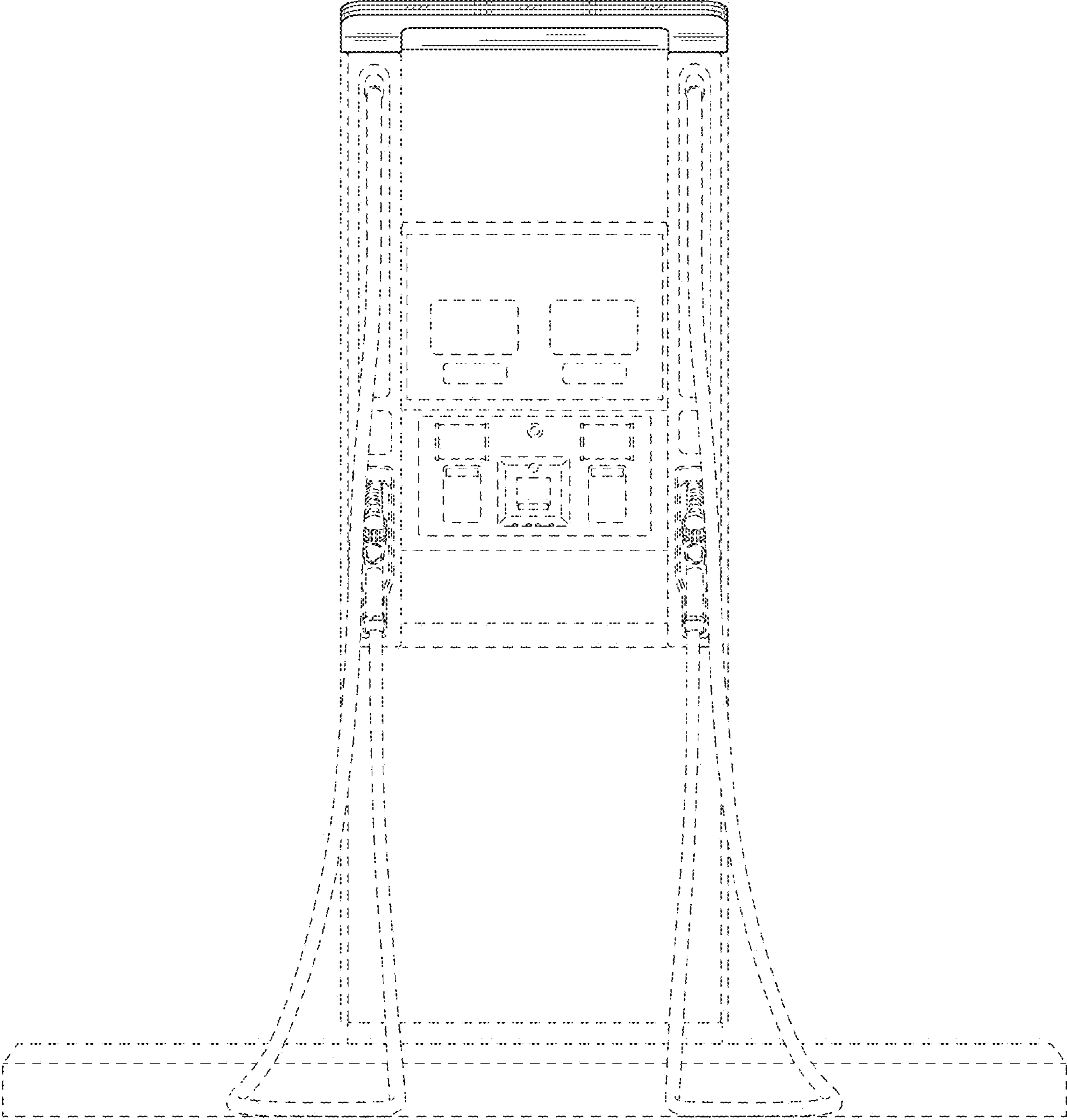


FIG. 2

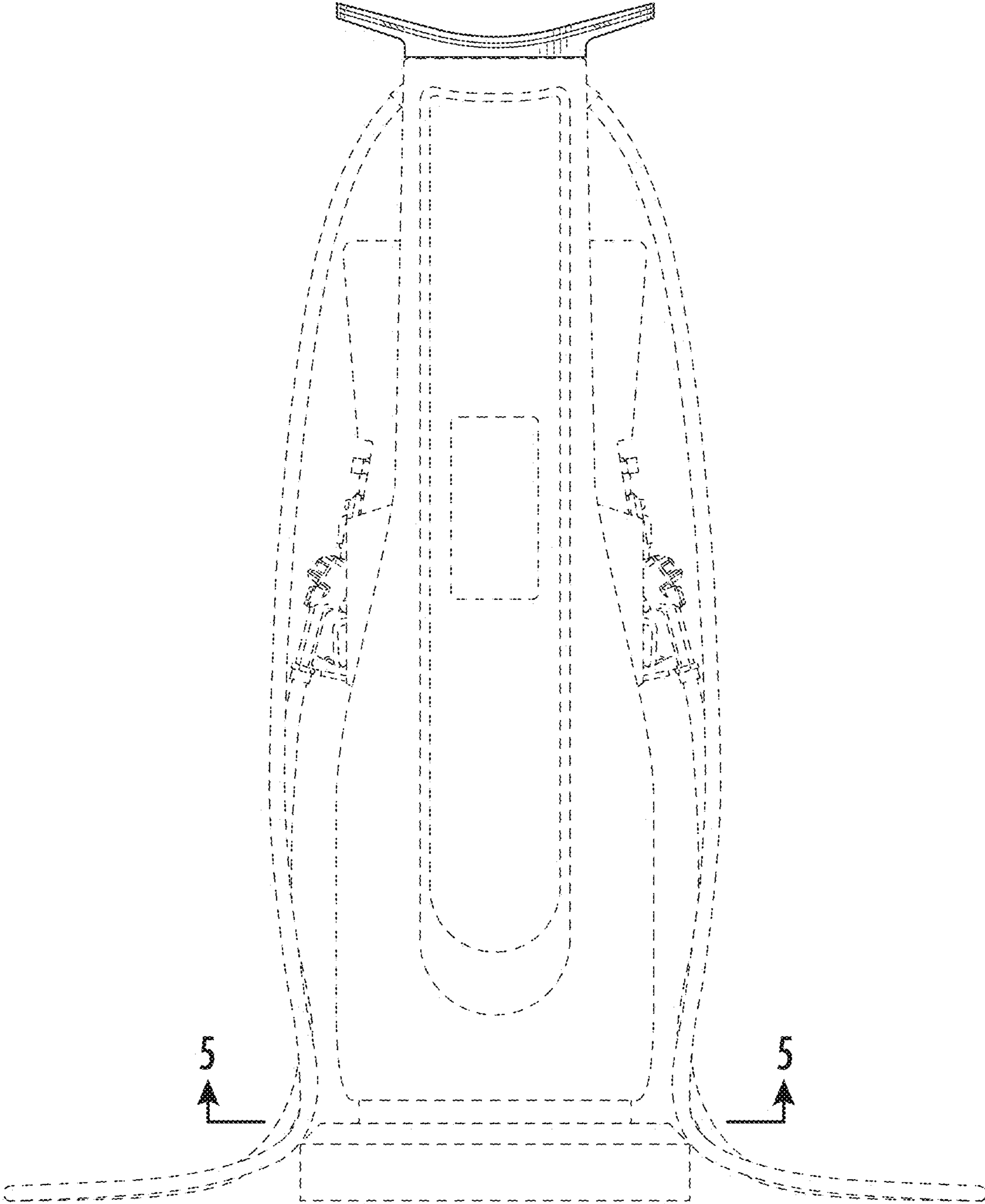


FIG. 3

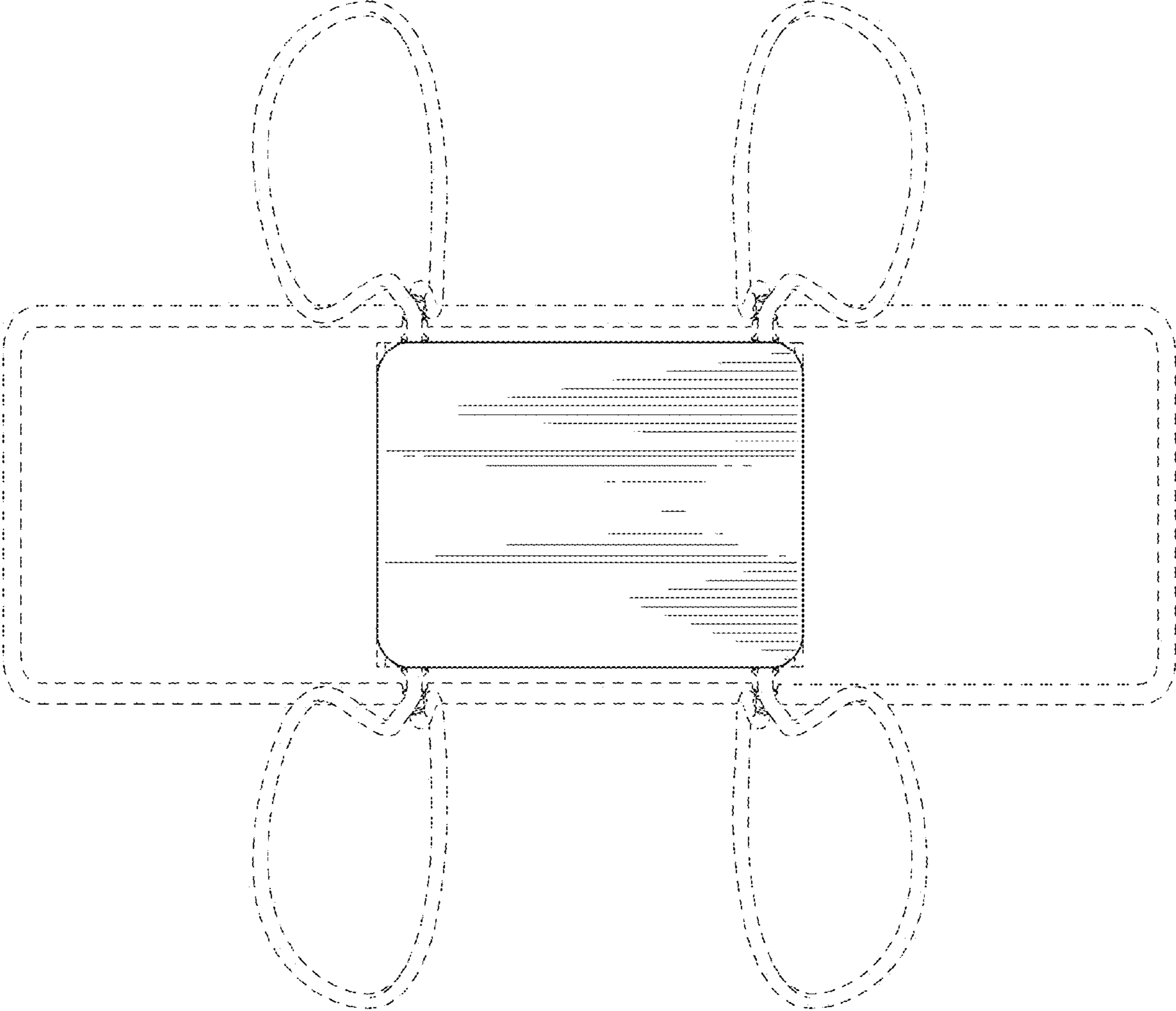


FIG. 4

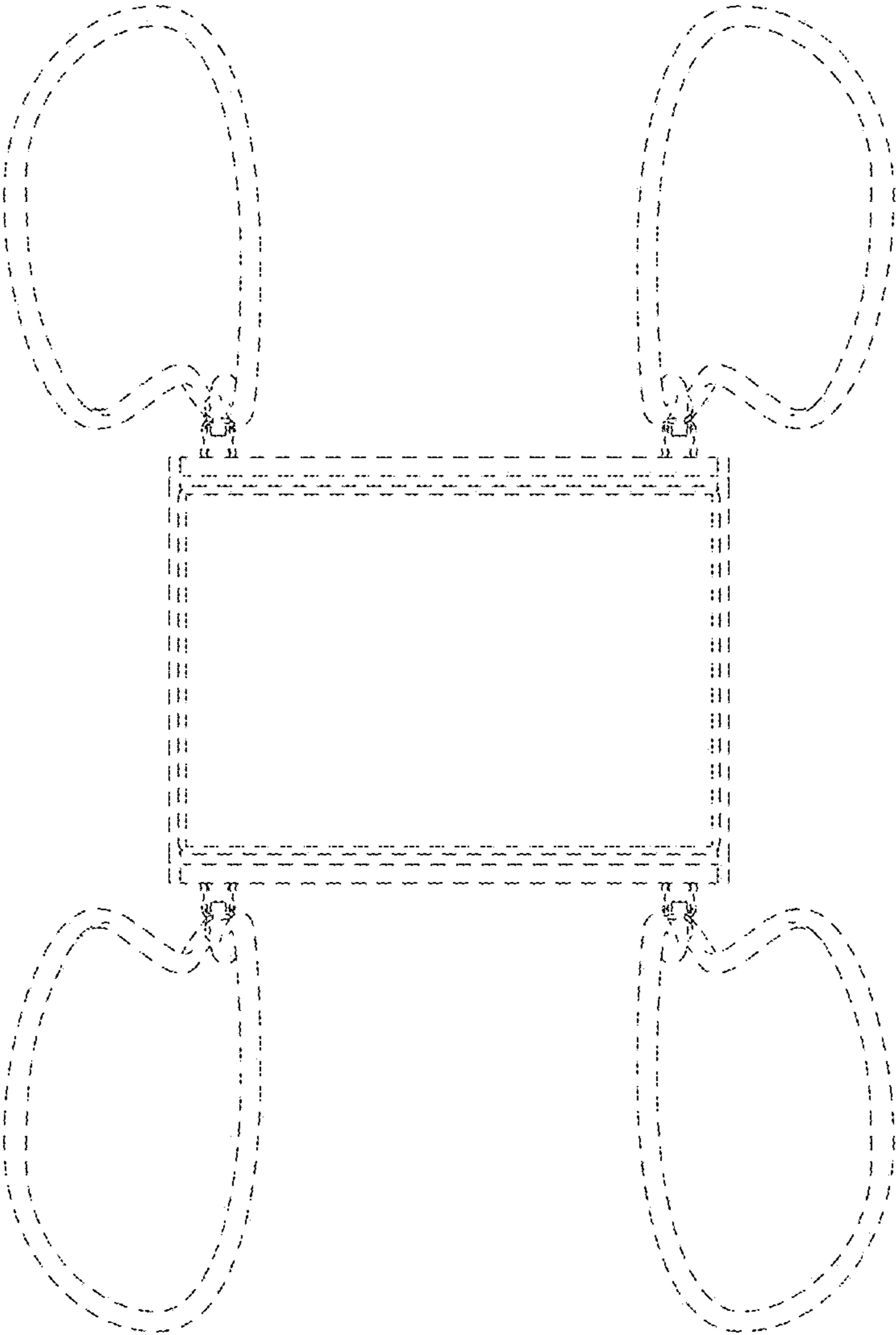


FIG. 5

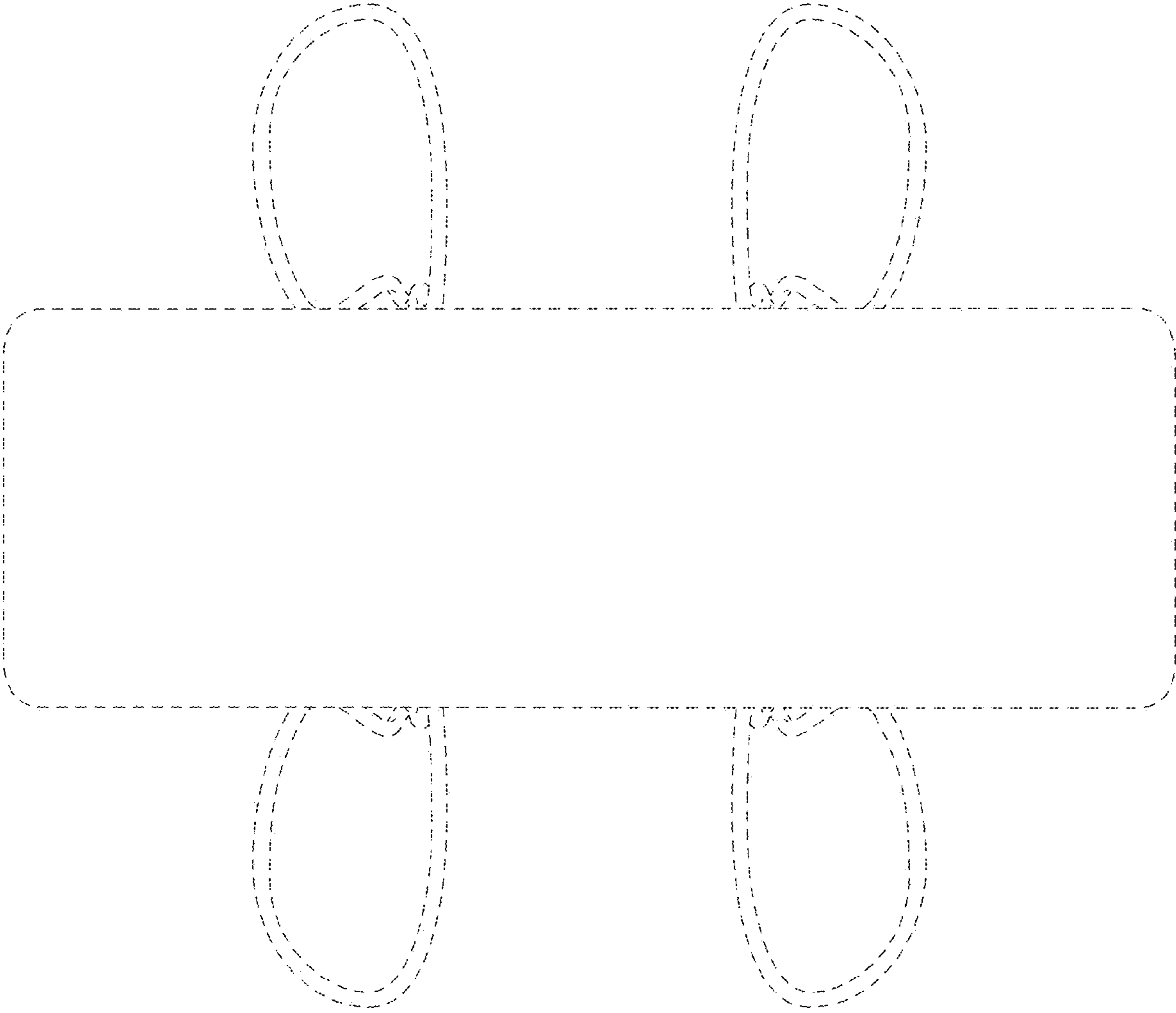


FIG. 6