



US00D905117S

(12) **United States Design Patent** (10) **Patent No.:** **US D905,117 S**  
**Bennett et al.** (45) **Date of Patent:** **\*\* Dec. 15, 2020**

(54) **INTAKE RAM**  
(71) Applicant: **OMIX-ADA, INC.**, Ann Arbor, MI (US)  
(72) Inventors: **Patrick W. Bennett**, Gainsville, GA (US); **Eric Lance Russell**, Lilburn, GA (US)  
(73) Assignee: **OMIX-ADA, INC.**, Ann Arbor, MI (US)

6,530,443 B1 3/2003 Tsuruta et al.  
D636,408 S \* 4/2011 Luxon ..... D12/400  
D636,787 S \* 4/2011 Luxon ..... D12/400  
D636,788 S 4/2011 Luxon et al.  
D637,205 S \* 5/2011 Luxon ..... D12/400  
D637,206 S \* 5/2011 Luxon ..... D12/400  
D637,623 S 5/2011 Luxon et al.  
D638,446 S \* 5/2011 Luxon ..... D12/400  
D641,377 S \* 7/2011 Luxon ..... D12/400

(Continued)

(\*\*) Term: **15 Years**  
(21) Appl. No.: **29/667,519**  
(22) Filed: **Oct. 23, 2018**  
(51) **LOC (12) Cl.** ..... **15-01**  
(52) **U.S. Cl.**  
USPC ..... **D15/5; D12/400**  
(58) **Field of Classification Search**  
USPC ..... D15/1-6, 28, 199; D12/194, 206, 418, D12/400; D24/110.5, 110.6  
CPC ..... F02M 35/00; F02M 35/02; F02M 35/10; F02M 35/12; F02M 35/14; F02M 35/16  
See application file for complete search history.

**OTHER PUBLICATIONS**

Unbranded/Generic, Universal Fit Off Road Replacement Mudding Snorkel Head Air Intake Ram 3" inlet, (site visited Jun. 10, 2020), Ebay.com, URL:<<https://www.ebay.com/itm/Universal-Fit-Off-Road-Replacement-Mudding-Snorkel-Head-Air-Intake-Ram-3-inlet/322087455022>> (Year: 2020).\*

(Continued)

*Primary Examiner* — Sheryl Lane  
*Assistant Examiner* — Mark T. Philipps  
(74) *Attorney, Agent, or Firm* — The Dobrusin Law Firm, P.C.

(57) **CLAIM**

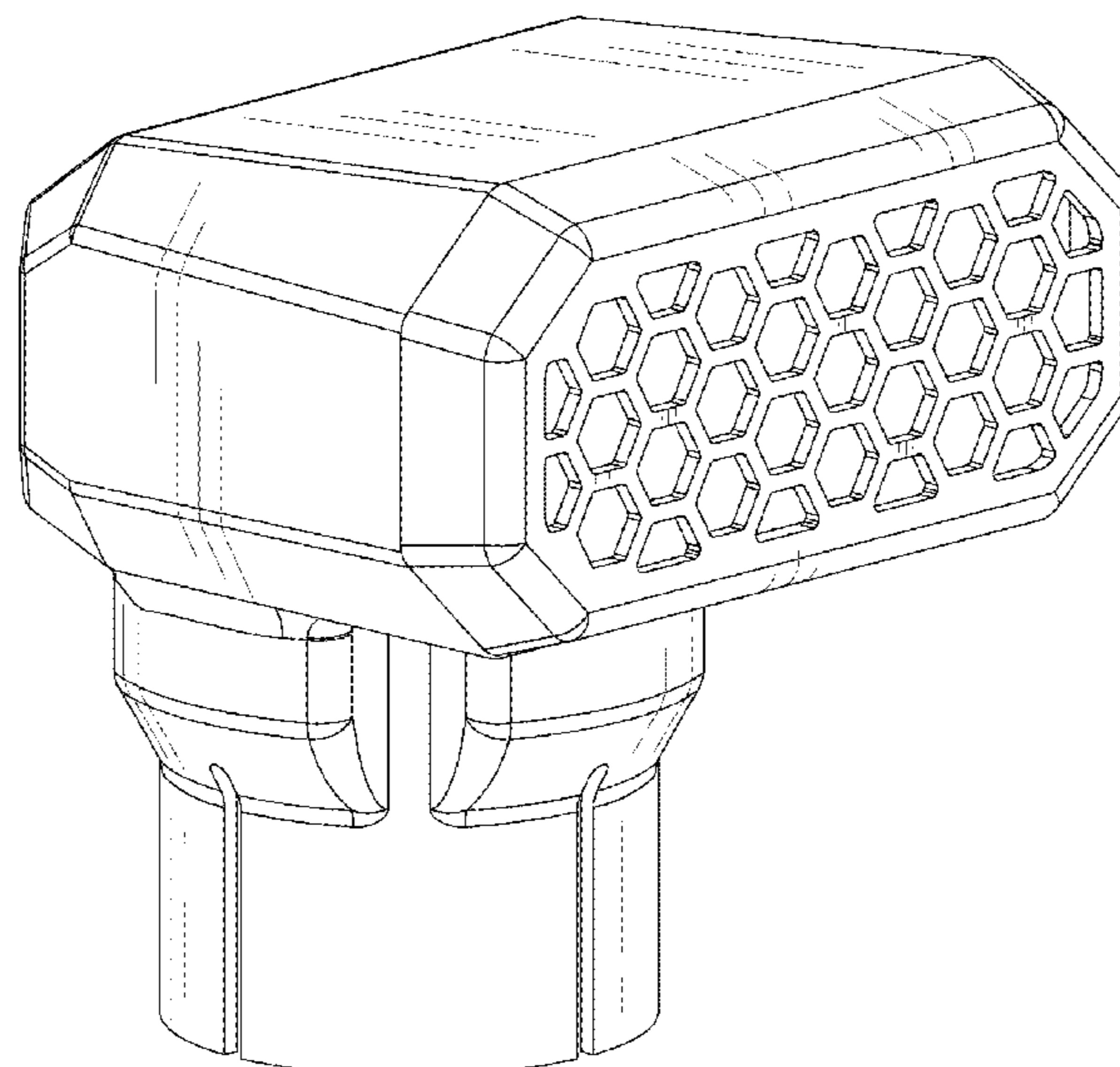
The ornamental design for an intake ram, as shown and described.

**DESCRIPTION**

FIG. 1 is a perspective view of the present design. FIG. 2 is a front elevational view of FIG. 1. FIG. 3 is a back elevational view of FIG. 1. FIG. 4 is a top elevational view of FIG. 1. FIG. 5 is a bottom elevational view of FIG. 1. FIG. 6 is a first side elevational view of FIG. 1; and, FIG. 7 is a second side elevational view of FIG. 1. The broken lines which define the bounds of the claimed design form no part thereof and are used to show environmental structure.

**1 Claim, 7 Drawing Sheets**

(56) **References Cited**  
U.S. PATENT DOCUMENTS  
3,987,862 A 10/1976 Lindstone  
4,366,878 A 1/1983 Warf  
5,195,484 A \* 3/1993 Knapp ..... F02M 35/10013  
123/198 E  
5,671,802 A 9/1997 Rogers  
D394,617 S \* 5/1998 Kerlin ..... D12/16  
6,152,096 A 11/2000 Setsuda  
6,256,197 B1 \* 7/2001 Galis ..... G06F 1/20  
165/126  
6,287,354 B1 9/2001 Nozaki  
6,314,931 B1 11/2001 Yasuda et al.  
6,373,145 B1 \* 4/2002 Hamrick ..... F03D 9/25  
290/44



(56)

References Cited

U.S. PATENT DOCUMENTS

D642,199 S \* 7/2011 Luxon ..... D12/400  
 D648,745 S \* 11/2011 Luxon ..... D12/400  
 D649,162 S \* 11/2011 Luxon ..... D12/400  
 D680,554 S \* 4/2013 Harriton ..... D12/400  
 D687,071 S 7/2013 Bennett  
 D687,072 S \* 7/2013 Bennett ..... D15/5  
 D693,370 S \* 11/2013 Randhawa ..... D15/5  
 D719,190 S \* 12/2014 Berry ..... D12/400  
 8,960,347 B2 2/2015 Bennett  
 D734,699 S \* 7/2015 Fox ..... D12/194  
 9,234,484 B2 1/2016 Lewington et al.  
 D752,109 S \* 3/2016 Harriton ..... D15/5  
 D774,101 S \* 12/2016 Delgado ..... D15/5  
 D777,801 S \* 1/2017 Furuki ..... D15/28  
 D781,346 S \* 3/2017 Simpson ..... D15/5  
 D787,559 S \* 5/2017 Nezar ..... D15/5  
 D788,175 S \* 5/2017 Nezar ..... D15/5  
 D792,470 S \* 7/2017 Nezar ..... D15/5  
 D805,106 S \* 12/2017 Jones ..... D15/5  
 9,909,542 B2 3/2018 Rother  
 D838,745 S \* 1/2019 Harriton ..... D15/5  
 D856,373 S \* 8/2019 Tallman ..... D15/5  
 10,428,773 B1 \* 10/2019 Bennett ..... F02M 35/10013  
 D882,635 S \* 4/2020 Wickes ..... D15/5  
 D882,636 S \* 4/2020 Wickes ..... D15/5  
 D882,637 S \* 4/2020 Wickes ..... D15/5  
 D883,331 S \* 5/2020 Wickes ..... D15/5  
 2002/0023792 A1 2/2002 Bouffard et al.  
 2005/0217625 A1 10/2005 Niaken et al.  
 2006/0065231 A1 3/2006 Nozaki et al.  
 2006/0185639 A1 8/2006 Rosenbaum

2006/0219209 A1 10/2006 Tsuruta et al.  
 2006/0230728 A1 10/2006 Tsuruta et al.  
 2007/0012274 A1 1/2007 Kawatani  
 2009/0260906 A1 10/2009 Hartland et al.  
 2010/0078239 A1 4/2010 Beloy  
 2010/0083928 A1 4/2010 Saito et al.  
 2017/0130682 A1 \* 5/2017 Tallman ..... F02M 35/10013  
 2017/0260939 A1 9/2017 Williams  
 2018/0258890 A1 \* 9/2018 Takamura ..... F02M 35/0245  
 2019/0023366 A1 \* 1/2019 Liao ..... B63C 11/205

OTHER PUBLICATIONS

Rugged Ridge, AmFib High Mount Snorkel (18-20 Jeep Wrangler JL), (site visited Jun. 10, 2020), ExtremeTerrain.com, URL:<<https://www.extremeterrain.com/rugged-ridge-jeep-wrangler-amfib-high-mount-snorkel-system-1775636.html>> (Year: 2020).  
 Black Coated Ram Air Snorkel Intake System Kit for 07-11 JK Jeep Wrangler 3.8 V6, ebay.com, last accessed Oct. 22, 2018.  
 AEV Jeep Wrangler JK Snorkel Pre Filter, Sam's 4x4, sams4x4.com, last accessed on Oct. 22, 2018.  
 Potentially Related U.S. Appl. No. 13/544,251, filed Jul. 9, 2012, granted as U.S. Pat. No. 8,960,347 on Feb. 24, 2015.  
 Potentially Related U.S. Appl. No. 29/434,144, filed Oct. 10, 2012, granted as U.S. Pat. No. D687,071 on Jul. 30, 2013.  
 Potentially Related U.S. Appl. No. 29/434,147, filed Oct. 10, 2012, granted as U.S. Pat. No. D687,072 on Jul. 30, 2013.  
 Potentially Related U.S. Appl. No. 29/667,549, filed Oct. 23, 2018.  
 Potentially Related U.S. Appl. No. 29/667,886, filed Oct. 25, 2018.  
 Potentially Related U.S. Appl. No. 16/171,428, filed Oct. 26, 2018.

\* cited by examiner

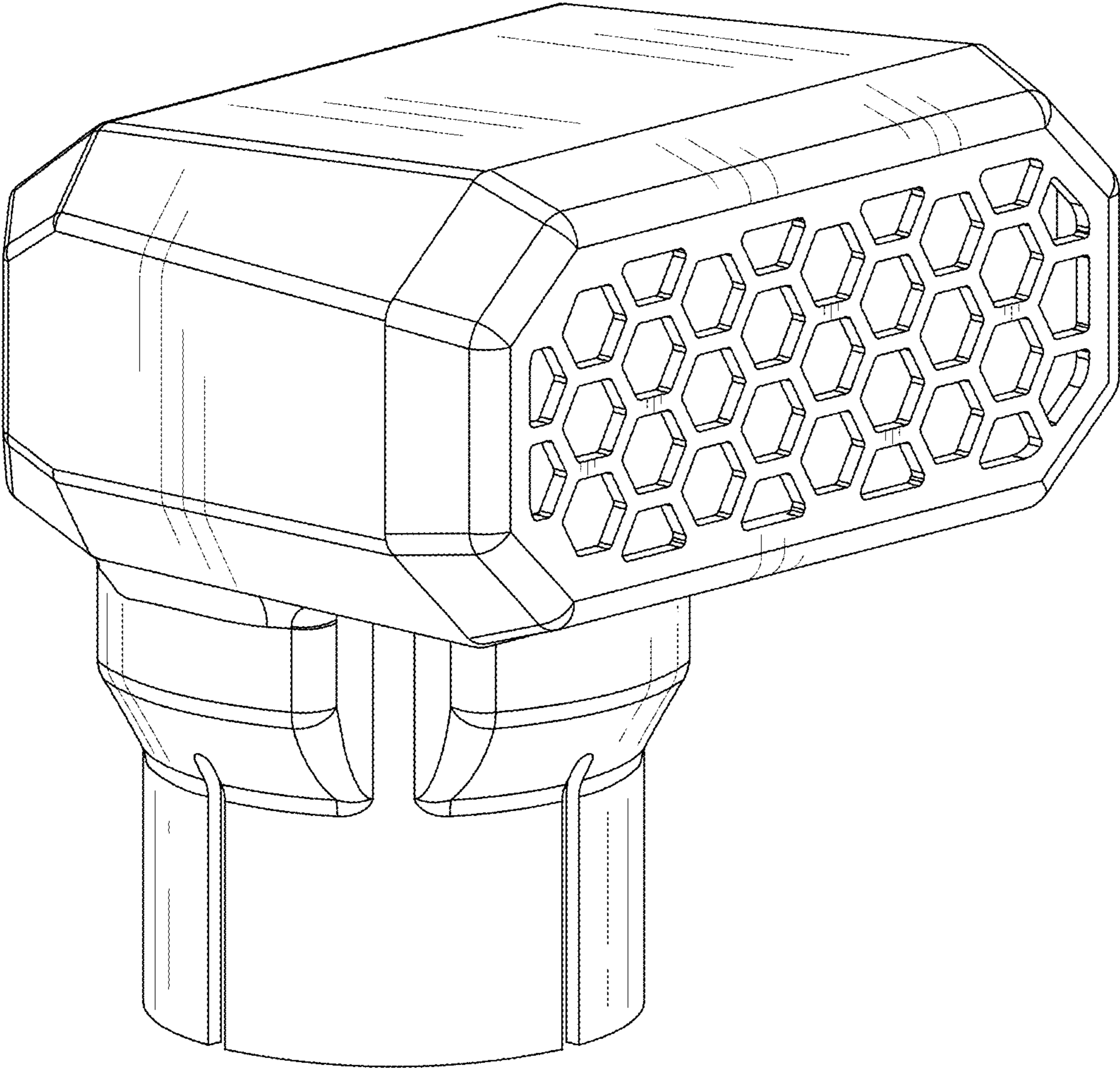


Fig-1



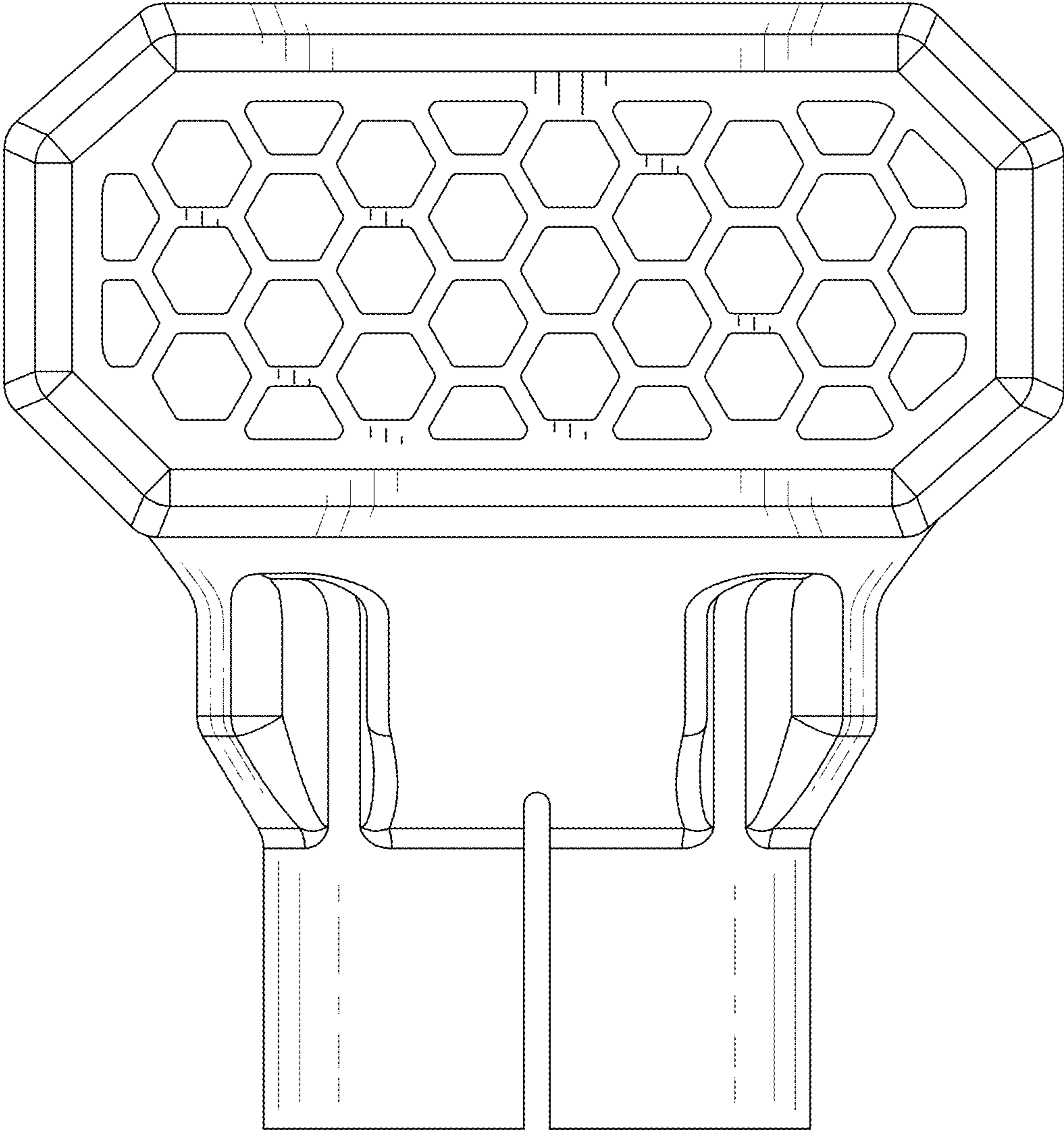


Fig-2

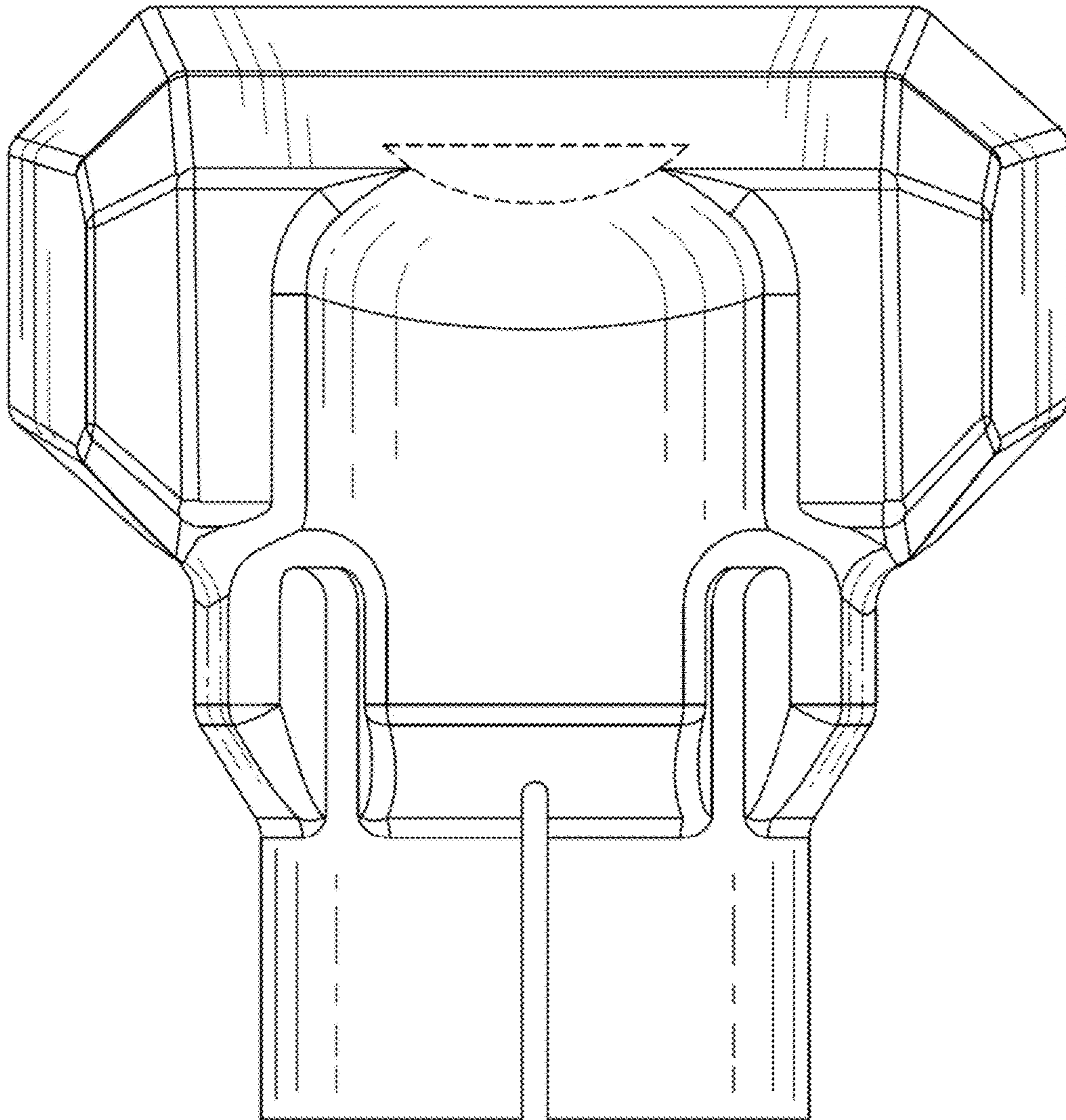


Fig-3

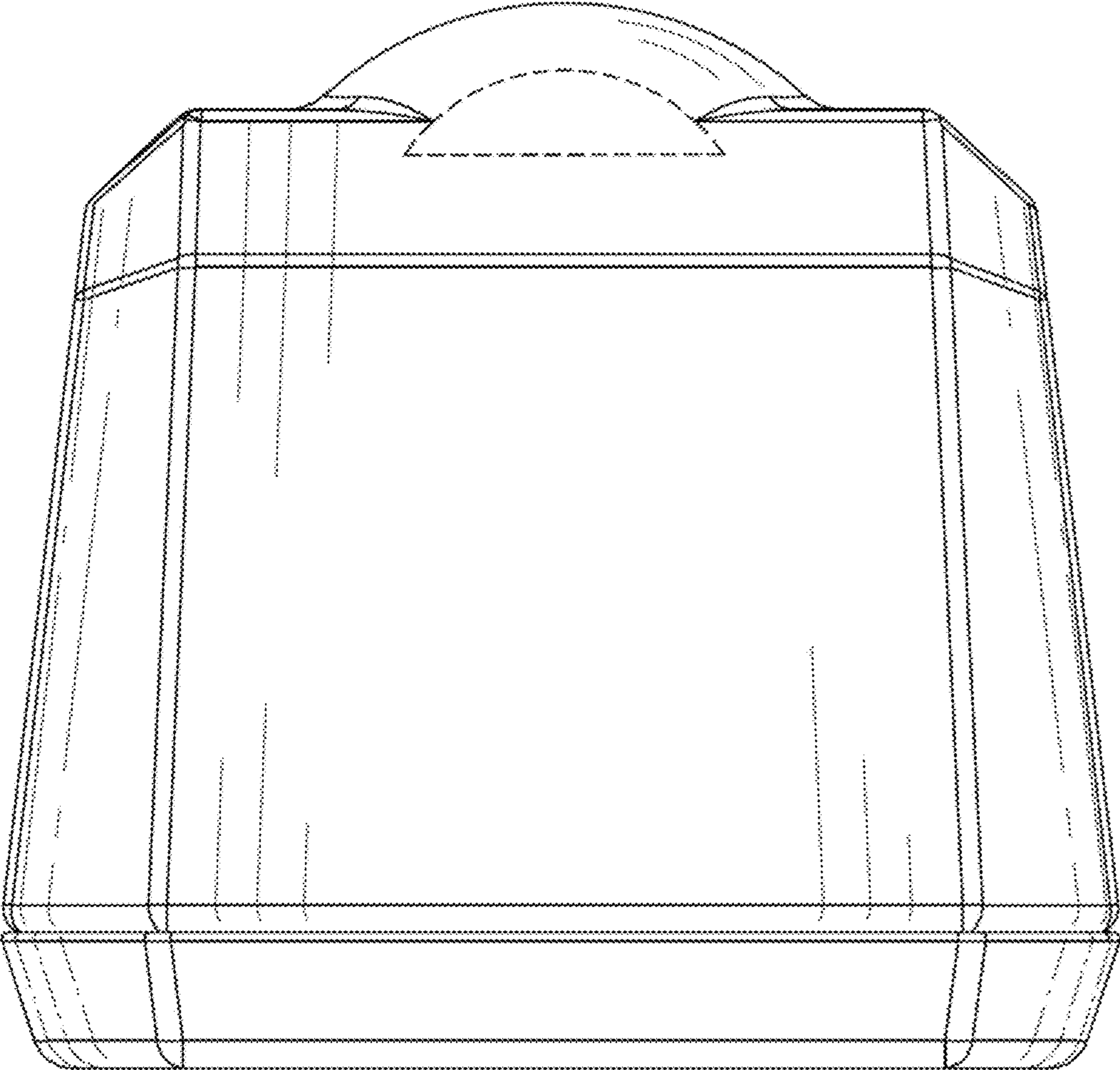


Fig-4

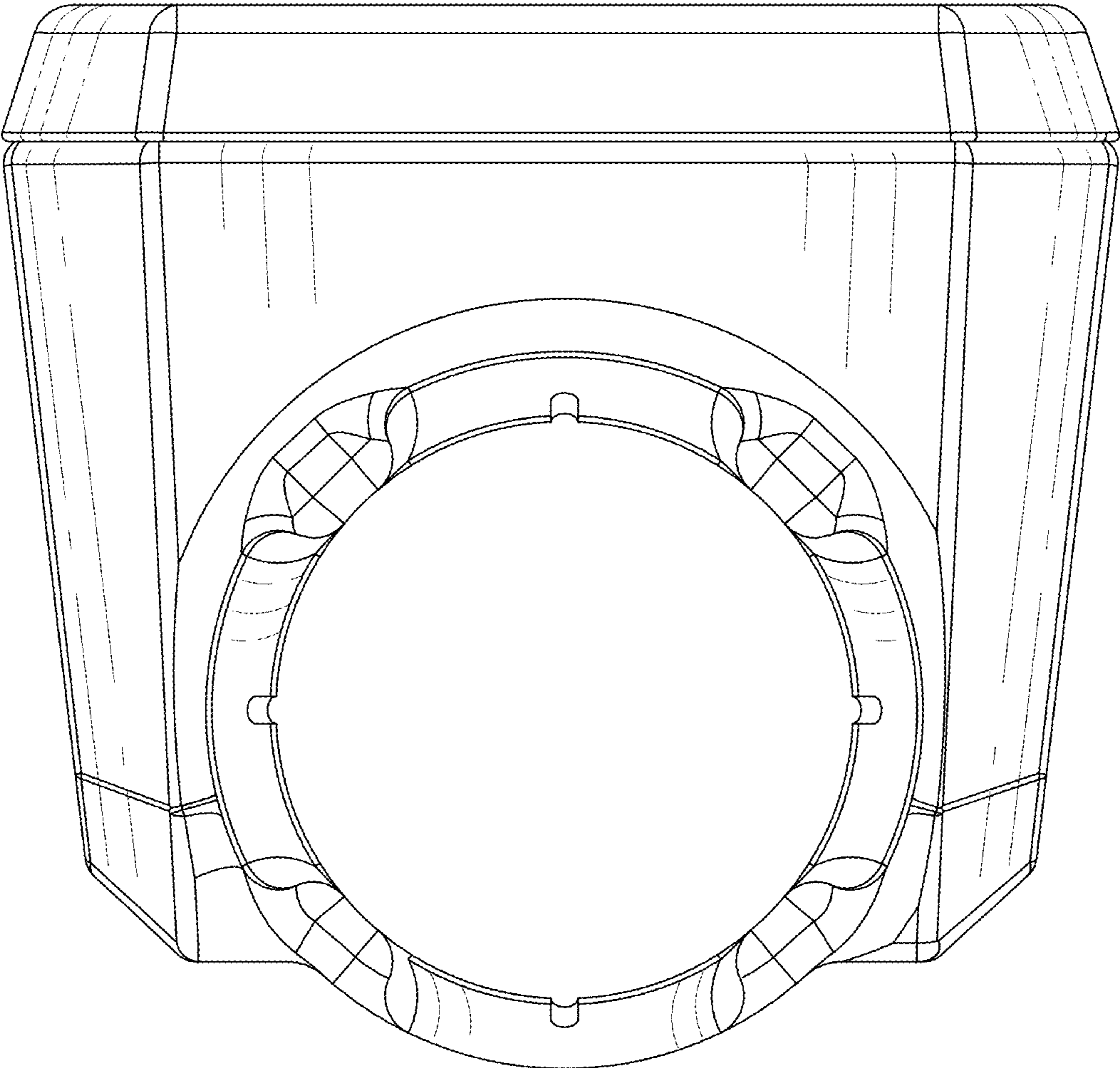


Fig-5

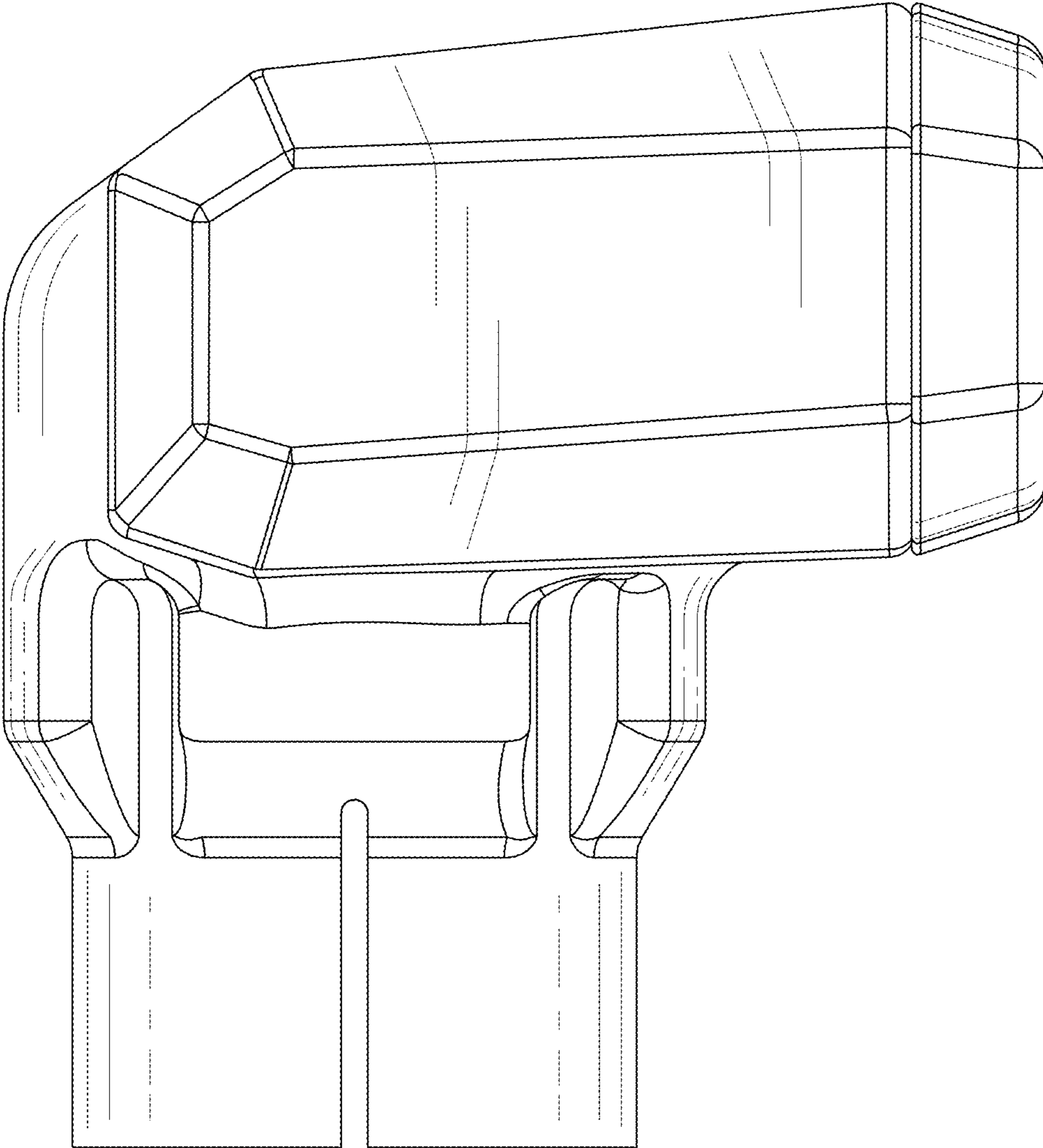


Fig-6



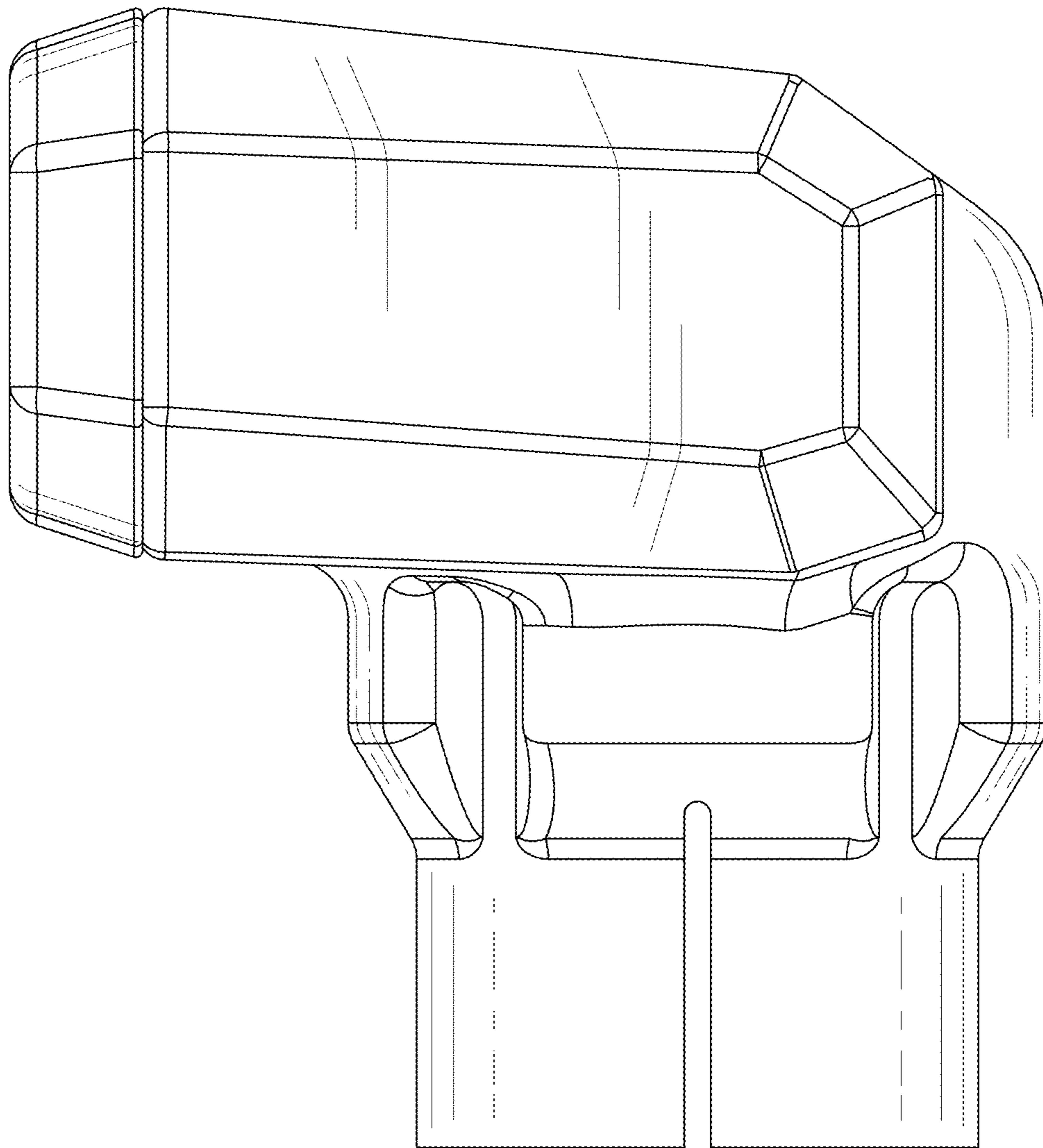


Fig-7