



US00D905114S

(12) **United States Design Patent** (10) **Patent No.:** **US D905,114 S**
Platt, Jr. (45) **Date of Patent:** **** Dec. 15, 2020**

(54) **AUTOMOBILE BREATHER CAP** D280,726 S * 9/1985 Ruter D15/6
4,600,042 A * 7/1986 York F16N 19/00
141/330
(71) Applicant: **Specialty Auto Parts U.S.A., Inc.,** 4,889,160 A * 12/1989 Sheets B65D 90/34
Warren, MI (US) 137/588
(72) Inventor: **Richard Booth Platt, Jr.,** Huntington 10,639,579 B2 * 5/2020 Nelson F01N 3/2896
Woods, MI (US) 2006/0236989 A1 * 10/2006 Callahan F01M 13/0011
123/574
(73) Assignee: **Specialty Auto Parts U.S.A., Inc.,** 2017/0044941 A1 * 2/2017 Nishi F01M 1/02
Warren, MI (US)

(**) Term: **15 Years**
(21) Appl. No.: **29/623,435**

(22) Filed: **Oct. 25, 2017**
(51) **LOC (12) Cl.** **15-01**
(52) **U.S. Cl.**
USPC **D15/5**
(58) **Field of Classification Search**
USPC D15/5; D23/259, 260, 261, 262, 263,
D23/264, 265; D12/197
CPC ... B67D 7/565; G01F 23/56; Y10T 137/7287;
F01M 13/00; F01M 13/0011; F01M
2013/0077; F01M 2011/0491; F01M
2011/0416; F01M 13/0033
See application file for complete search history.

(56) **References Cited**
U.S. PATENT DOCUMENTS
2,467,088 A * 4/1949 Konchan B60K 15/0406
220/302
3,016,890 A * 1/1962 Bibo F02M 31/042
123/556
3,167,416 A * 1/1965 Humbert, Jr. B01D 46/2411
55/498
3,271,938 A * 9/1966 Rest G01F 23/04
55/385.1
3,451,584 A * 6/1969 Degaetano B01D 36/001
220/371
3,990,489 A * 11/1976 Ruter F01M 11/04
141/98

OTHER PUBLICATIONS

Product publicly available prior to Oct. 25, 2017. (1).
Product publicly available prior to Oct. 25, 2017. (2).
Product publicly available prior to Oct. 25, 2017. (3).

* cited by examiner

Primary Examiner — Ania Aman
(74) *Attorney, Agent, or Firm* — Lerner, David,
Littenberg, Krumholz & Mentlik, LLP

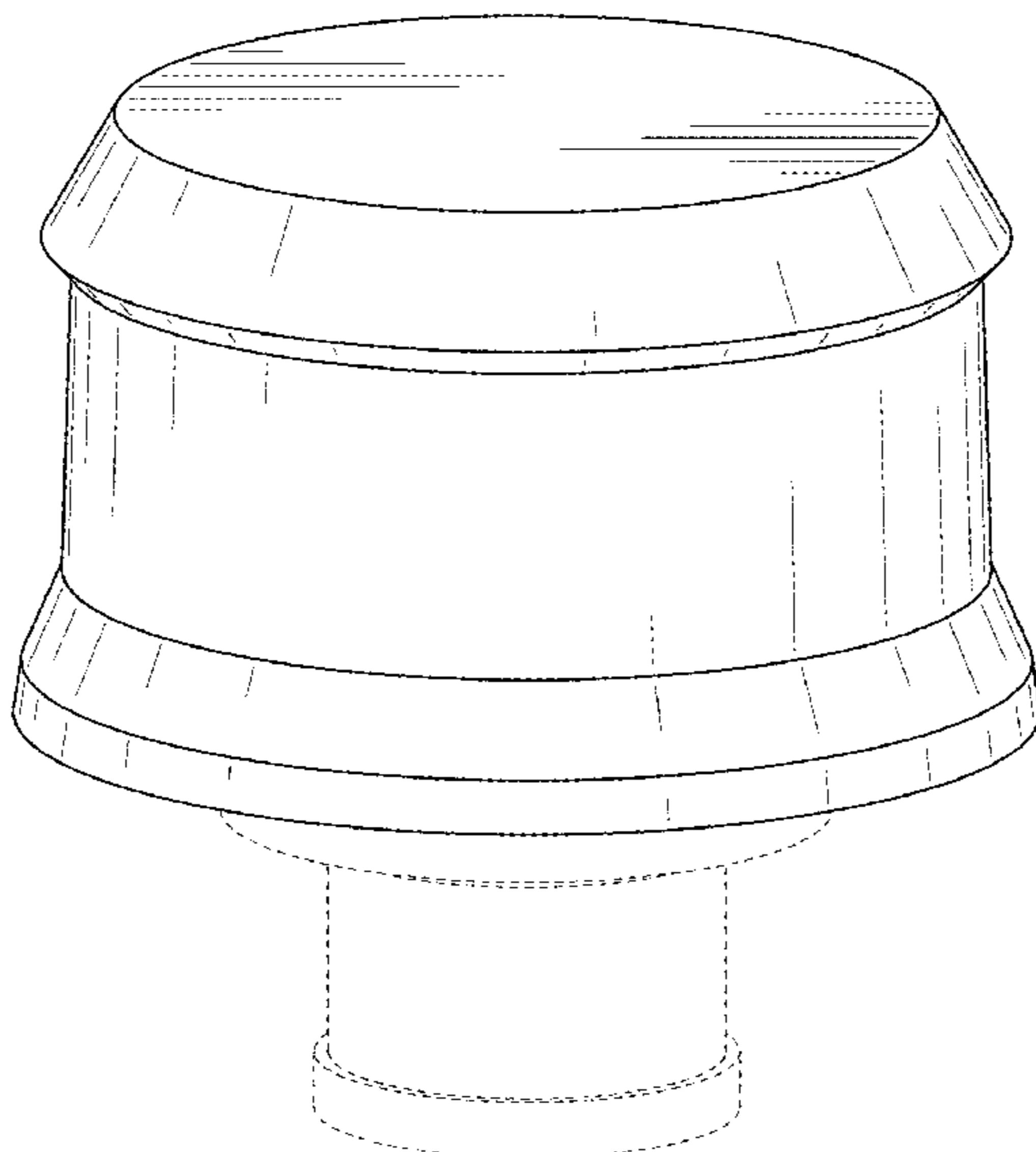
(57) **CLAIM**

The ornamental design for an automobile breather cap, as shown and described.

DESCRIPTION

FIG. 1 is a front perspective view of an automobile breather cap according to my design;
FIG. 2 is a front elevation view thereof, the rear elevation view being identical thereto;
FIG. 3 is a right side elevation view thereof, the left side elevation view being identical thereto;
FIG. 4 is a top plan view thereof; and,
FIG. 5 is a bottom plan view thereof.
The broken lines shown in the drawings are for the purpose of illustrating environmental structure and form no part of the claimed design. The dot-dash lines are boundary lines and form no part of the claimed design.

1 Claim, 4 Drawing Sheets



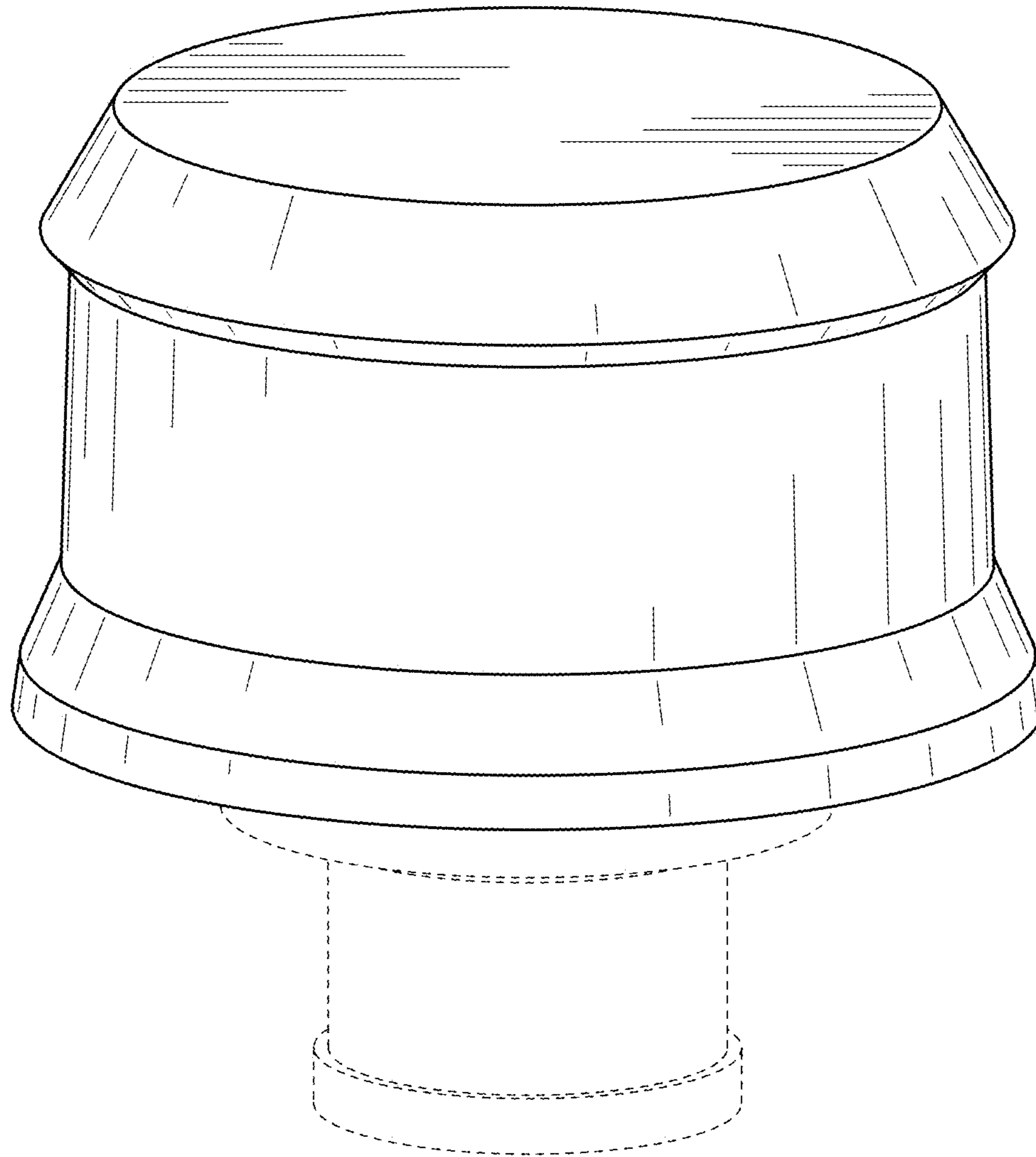


FIG. 1

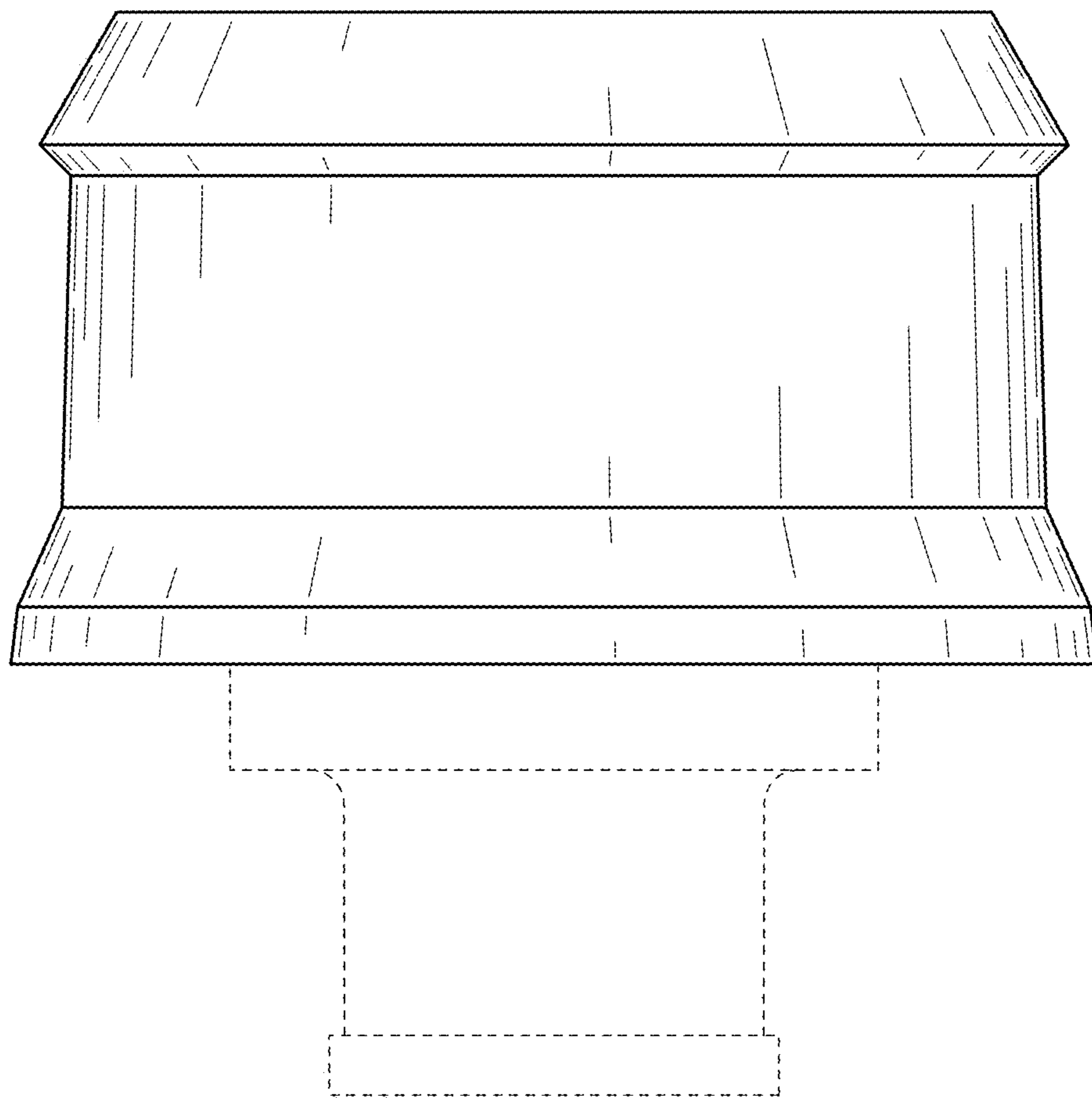


FIG. 2

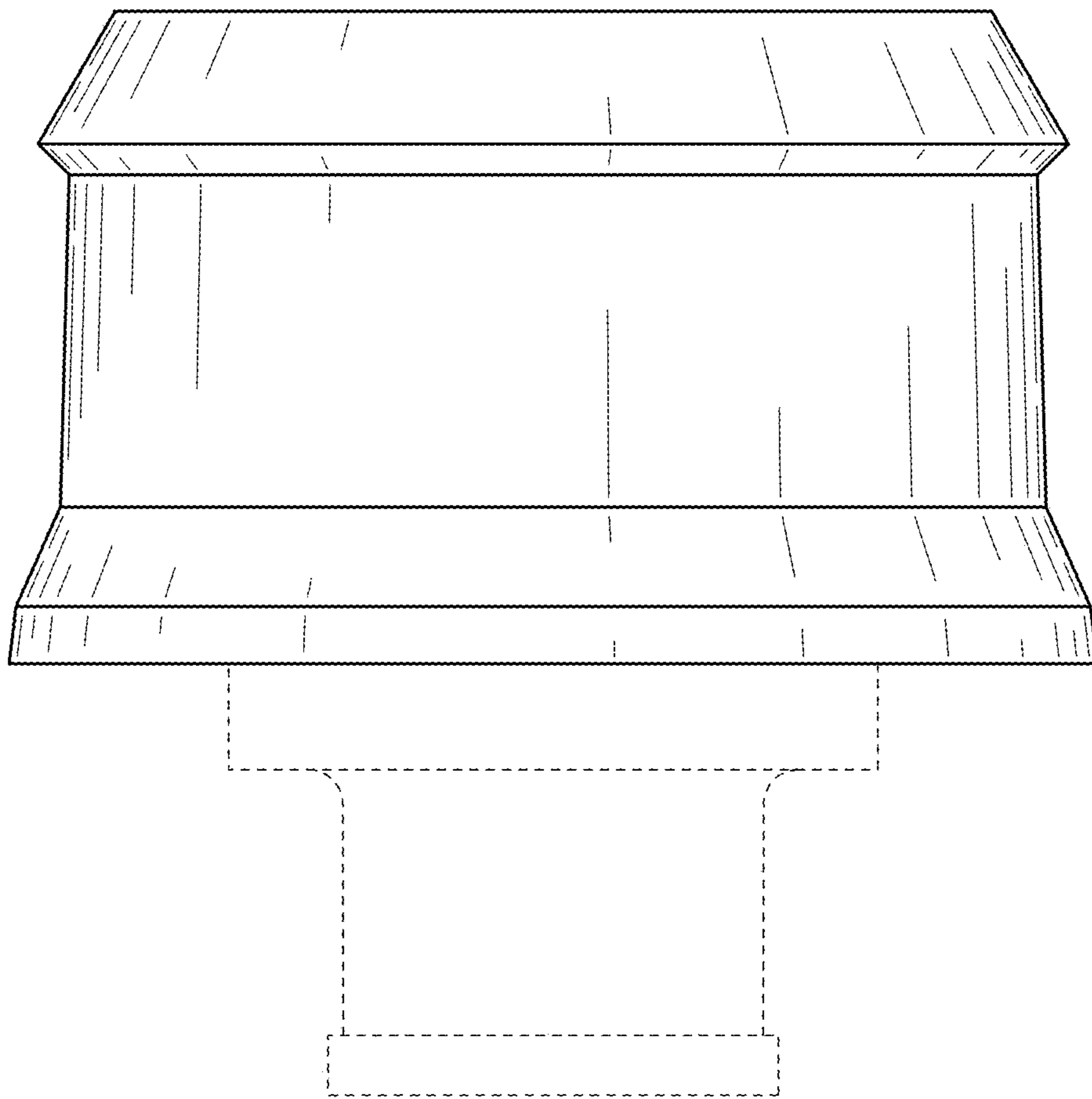


FIG. 3

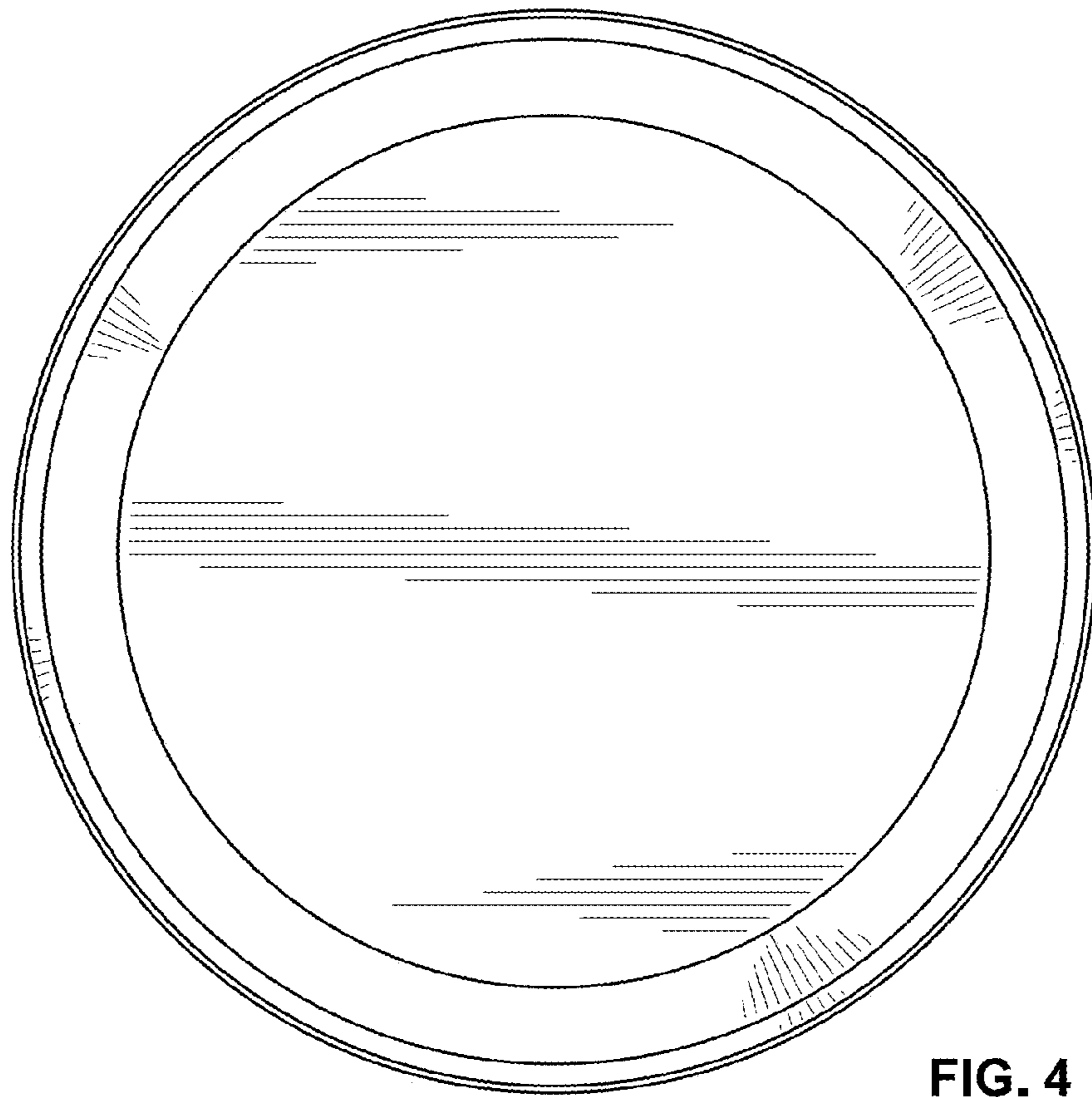


FIG. 4

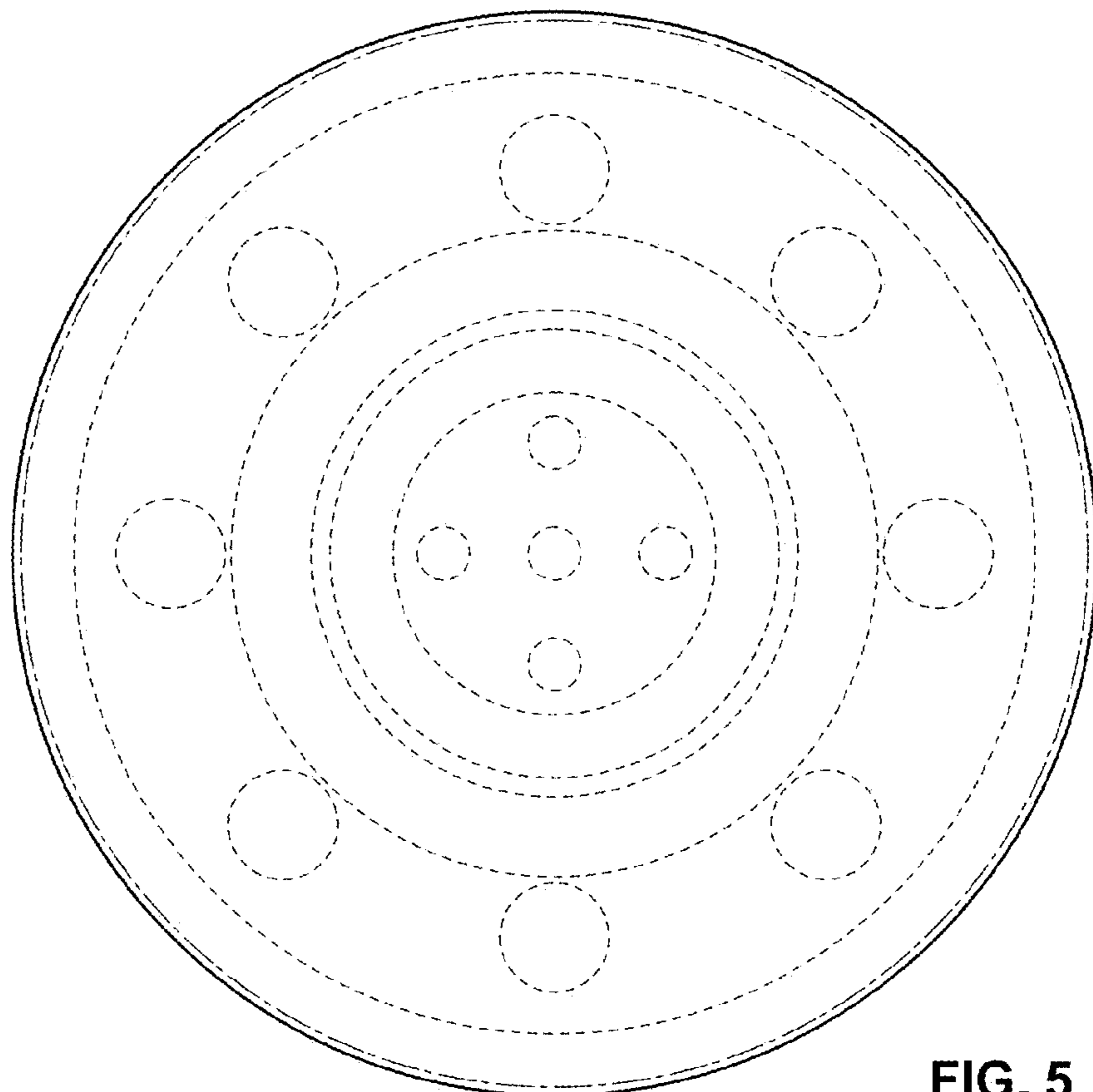


FIG. 5