



US00D905113S

(12) **United States Design Patent**  
**Pan**

(10) **Patent No.:** **US D905,113 S**

(45) **Date of Patent:** **\*\* Dec. 15, 2020**

(54) **CD PLAYER**

(71) Applicant: **SHENZHEN JHS TECHNOLOGY CO., LTD.**, Shenzhen (CN)

(72) Inventor: **Deng Pan**, Shenzhen (CN)

(\*\*) Term: **15 Years**

(21) Appl. No.: **29/724,158**

(22) Filed: **Feb. 13, 2020**

(51) **LOC (12) Cl.** ..... **14-01**

(52) **U.S. Cl.**  
USPC ..... **D14/507**; D14/500

(58) **Field of Classification Search**  
USPC ..... D14/356, 363, 365, 498-511, 168-172,  
D14/188-198, 203.1-204  
CPC ..... B60K 35/00; B60K 37/00; B60K 37/02;  
B60K 37/06; B60R 11/02; G11B 17/02;  
G11B 17/04  
See application file for complete search history.

(56) **References Cited**

**U.S. PATENT DOCUMENTS**

D520,480 S \* 5/2006 Kwon ..... D14/502  
D520,975 S \* 5/2006 Kim ..... D14/502

D576,581 S \* 9/2008 Son ..... D14/502  
D576,978 S \* 9/2008 Kawasaki ..... D14/498  
D582,868 S \* 12/2008 Tejima ..... D14/501  
D647,922 S \* 11/2011 Cho ..... D14/500

\* cited by examiner

*Primary Examiner* — Sandra L Morris

(74) *Attorney, Agent, or Firm* — KA Filing LLC; Cynthia W. Flanigan

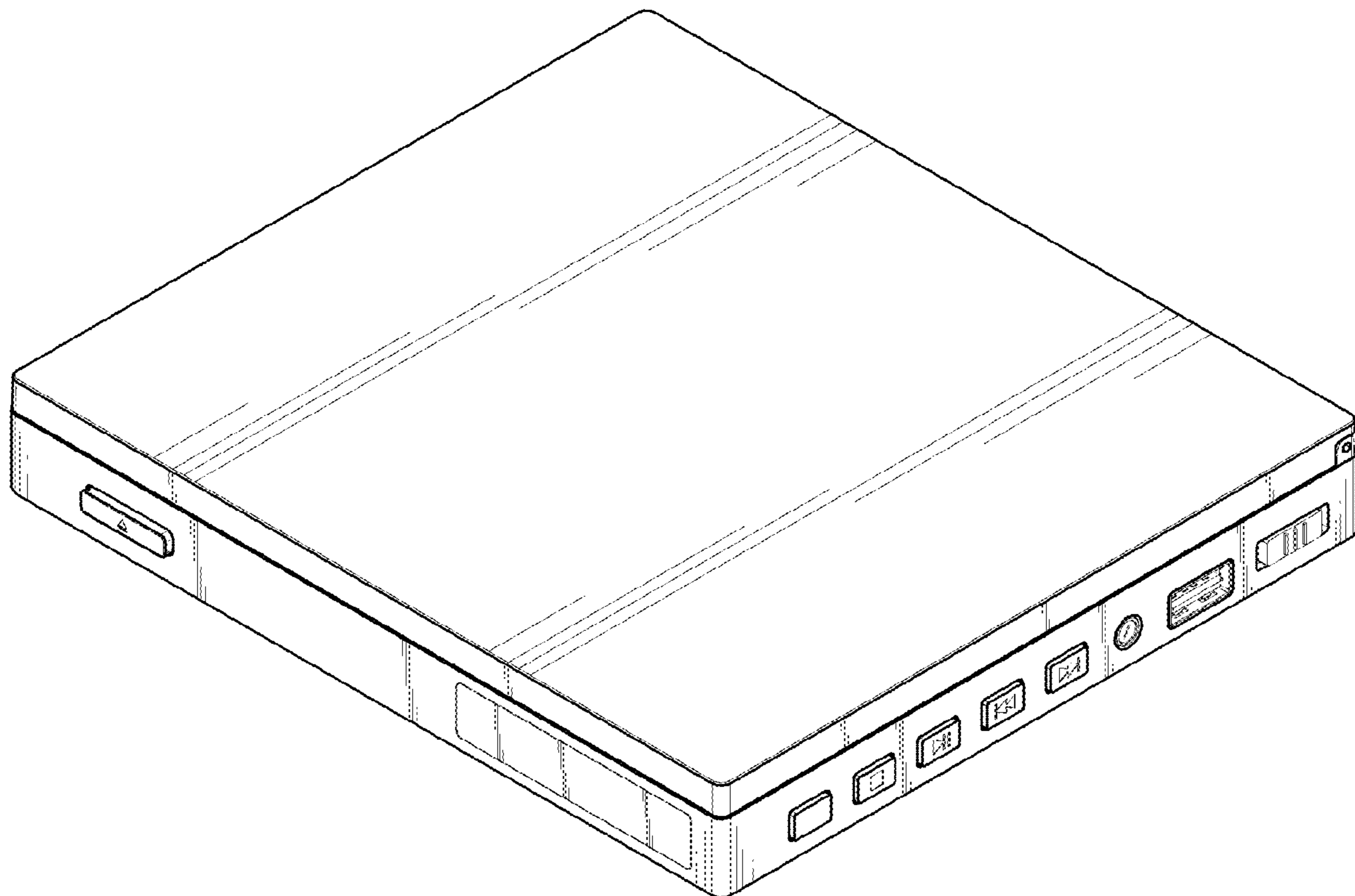
(57) **CLAIM**

I claim the ornamental design for a CD player, as shown and described.

**DESCRIPTION**

FIG. 1 is a Perspective view of a CD player showing my new design;  
FIG. 2 is a Front view thereof;  
FIG. 3 is a Back view thereof;  
FIG. 4 is a Left-side view thereof;  
FIG. 5 is a Right-side view thereof;  
FIG. 6 is a Top view thereof; and,  
FIG. 7 is a Bottom view thereof.  
The broken lines are only for environmental purposes and form no part of the claimed design.

**1 Claim, 5 Drawing Sheets**



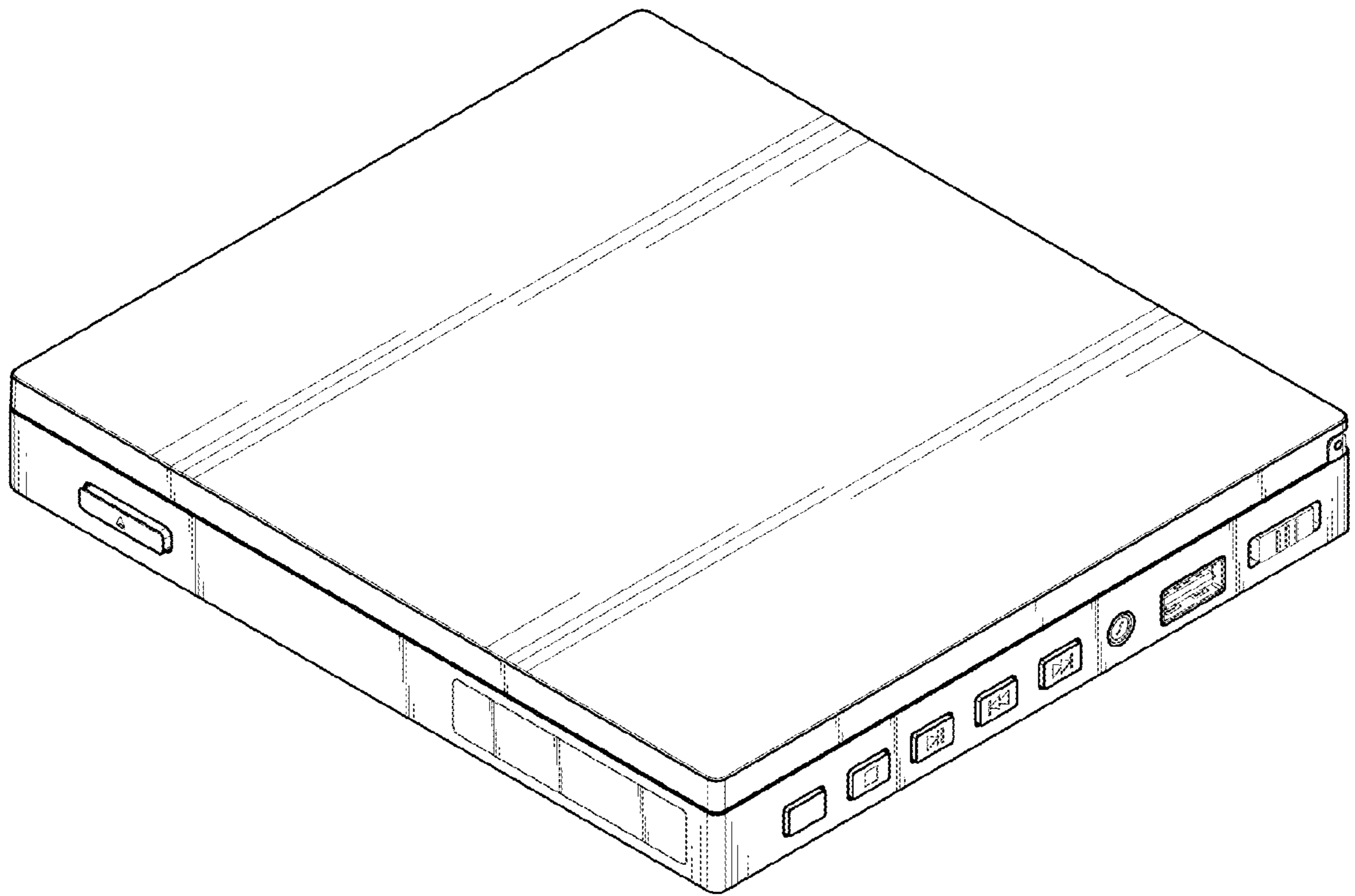


FIG. 1

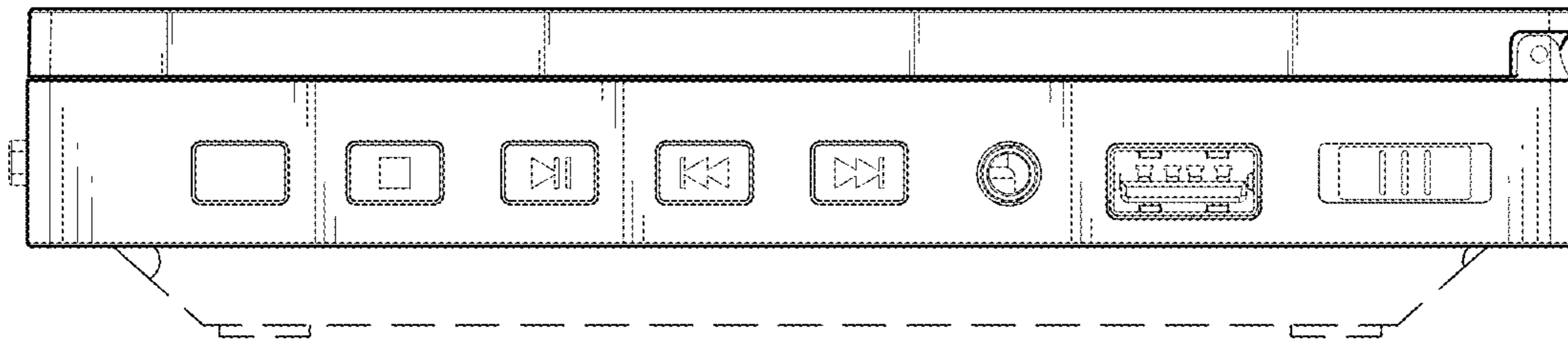


FIG. 2

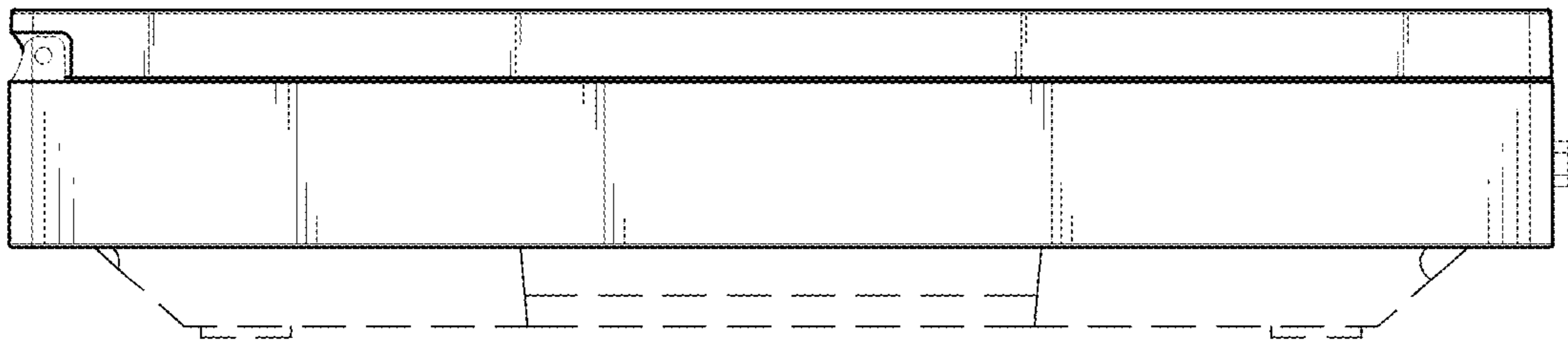


FIG. 3

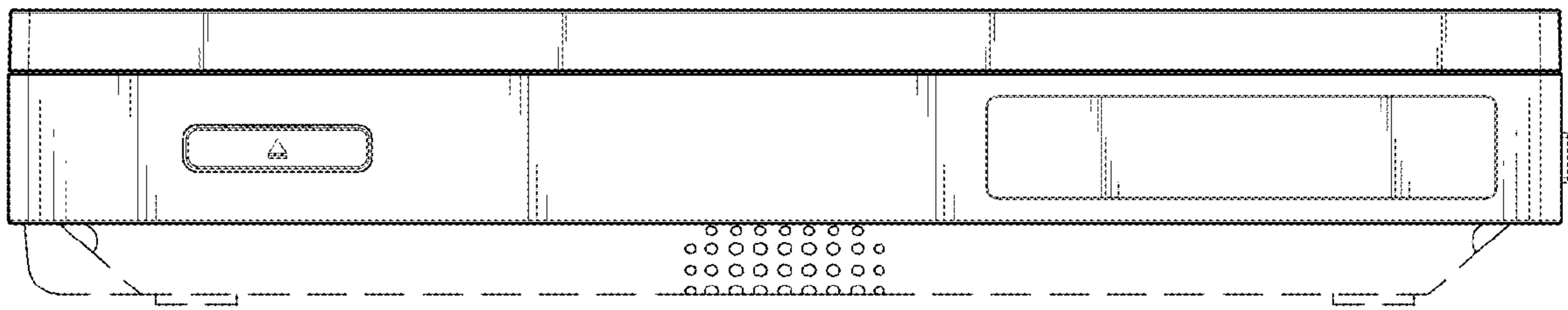


FIG. 4

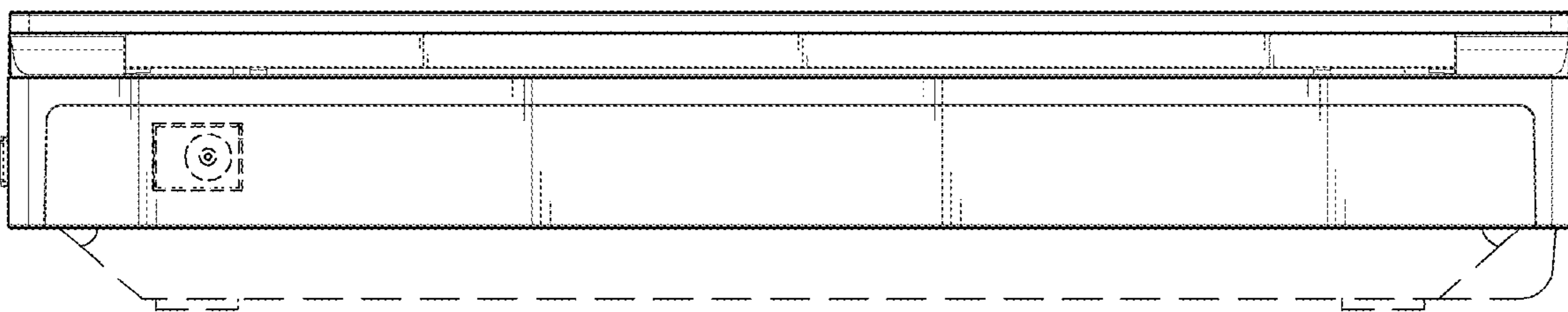


FIG. 5

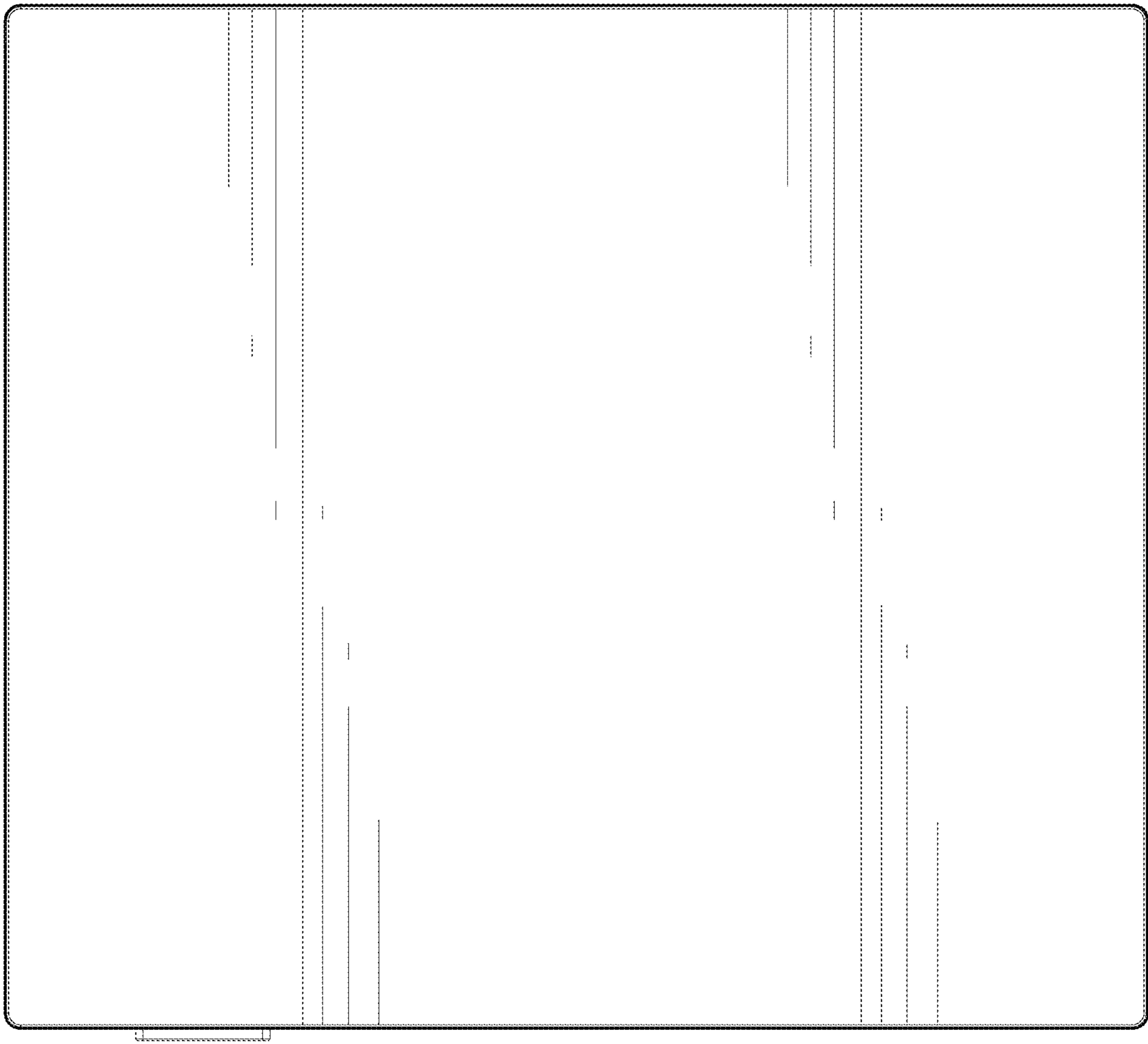


FIG. 6

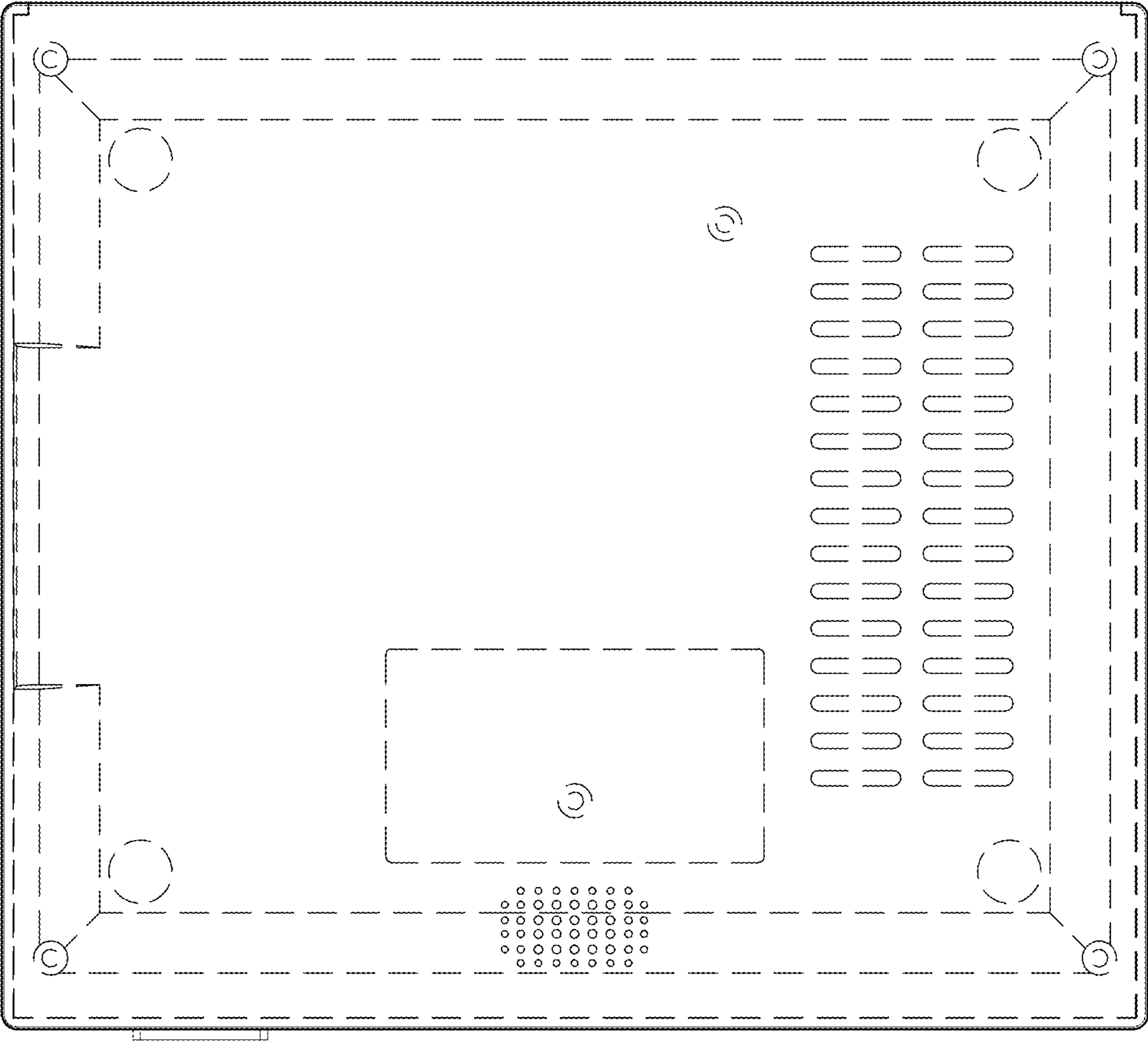


FIG. 7