



US00D905112S

(12) **United States Design Patent**
Liu

(10) **Patent No.:** **US D905,112 S**

(45) **Date of Patent:** **** Dec. 15, 2020**

(54) **DVD PLAYER**

(71) Applicant: **Fenglong Liu**, Shenzhen (CN)

(72) Inventor: **Fenglong Liu**, Shenzhen (CN)

(73) Assignee: **Shenzhen Lonpoo Technology Co., Ltd.**, Shenzhen (CN)

(**) Term: **15 Years**

(21) Appl. No.: **29/714,293**

(22) Filed: **Nov. 22, 2019**

(51) **LOC (12) Cl.** **14-01**

(52) **U.S. Cl.**
USPC **D14/505**

(58) **Field of Classification Search**
USPC D14/356, 363, 365, 498-511, 168-172,
D14/188-198, 203.1-204
CPC B60K 35/00; B60K 37/00; B60K 37/02;
B60K 37/06; B60R 11/02; G11B 17/02;
G11B 17/04
See application file for complete search history.

(56) **References Cited**

U.S. PATENT DOCUMENTS

D511,333 S * 11/2005 Lai D14/506
D539,771 S * 4/2007 Park D14/502

D560,181 S * 1/2008 Park D14/502
D623,196 S * 9/2010 Yagi D14/505
D647,923 S * 11/2011 Son D14/505
D648,349 S * 11/2011 Son D14/502
D654,088 S * 2/2012 Chung D14/500
D654,091 S * 2/2012 Son D14/502
D705,267 S * 5/2014 Li D14/502
D707,715 S * 6/2014 Yagi D14/498

* cited by examiner

Primary Examiner — Sandra L Morris

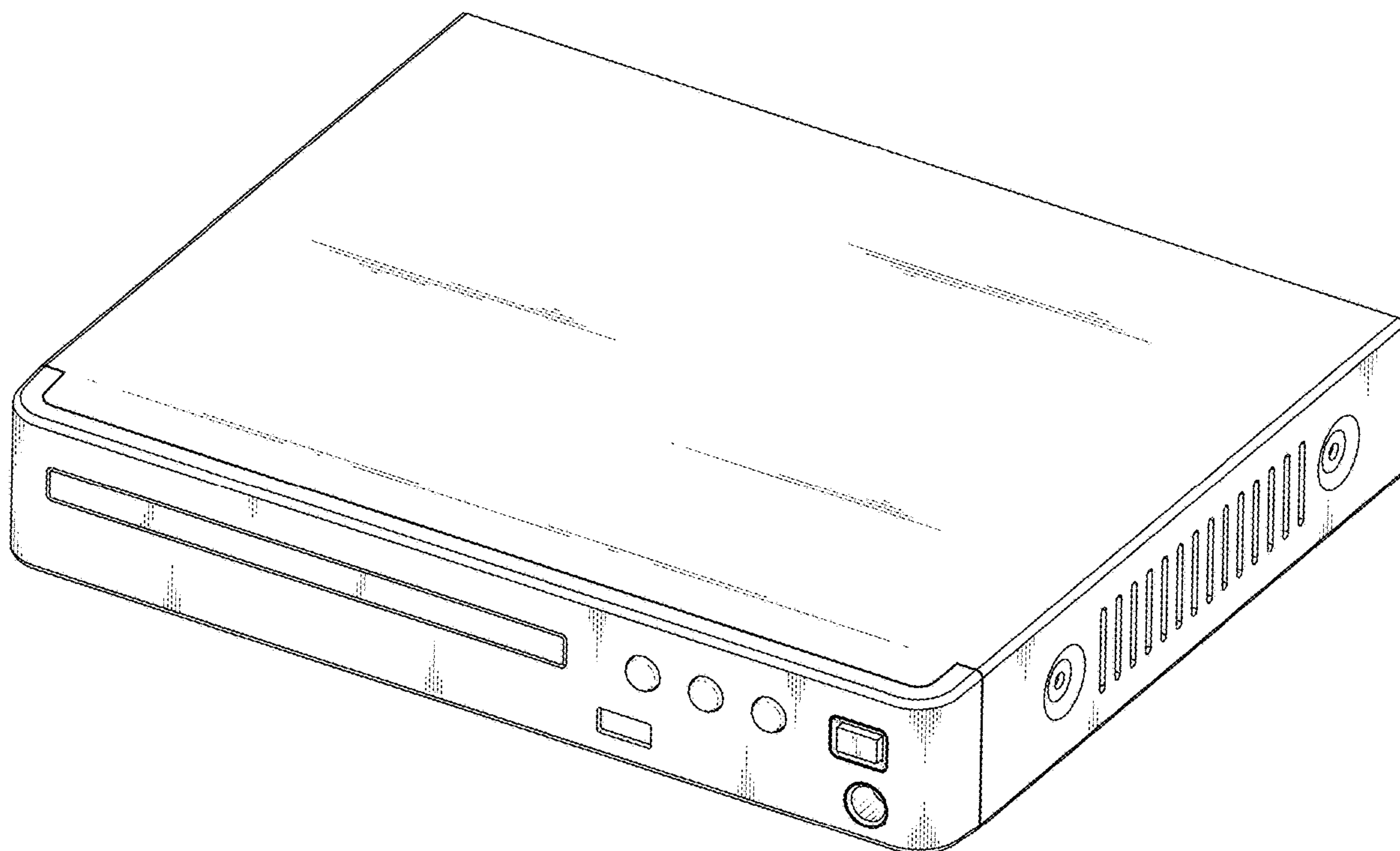
(57) **CLAIM**

The ornamental design for a DVD player, as shown and described.

DESCRIPTION

FIG. 1 is a front, top perspective view of the DVD player showing my new design;
FIG. 2 is a rear, bottom perspective view thereof;
FIG. 3 is a front elevational view thereof;
FIG. 4 is a rear elevational view thereof;
FIG. 5 is a left side elevational view thereof;
FIG. 6 is a right side elevational view thereof;
FIG. 7 is a top plan view thereof; and,
FIG. 8 is a bottom plan view thereof.

1 Claim, 8 Drawing Sheets



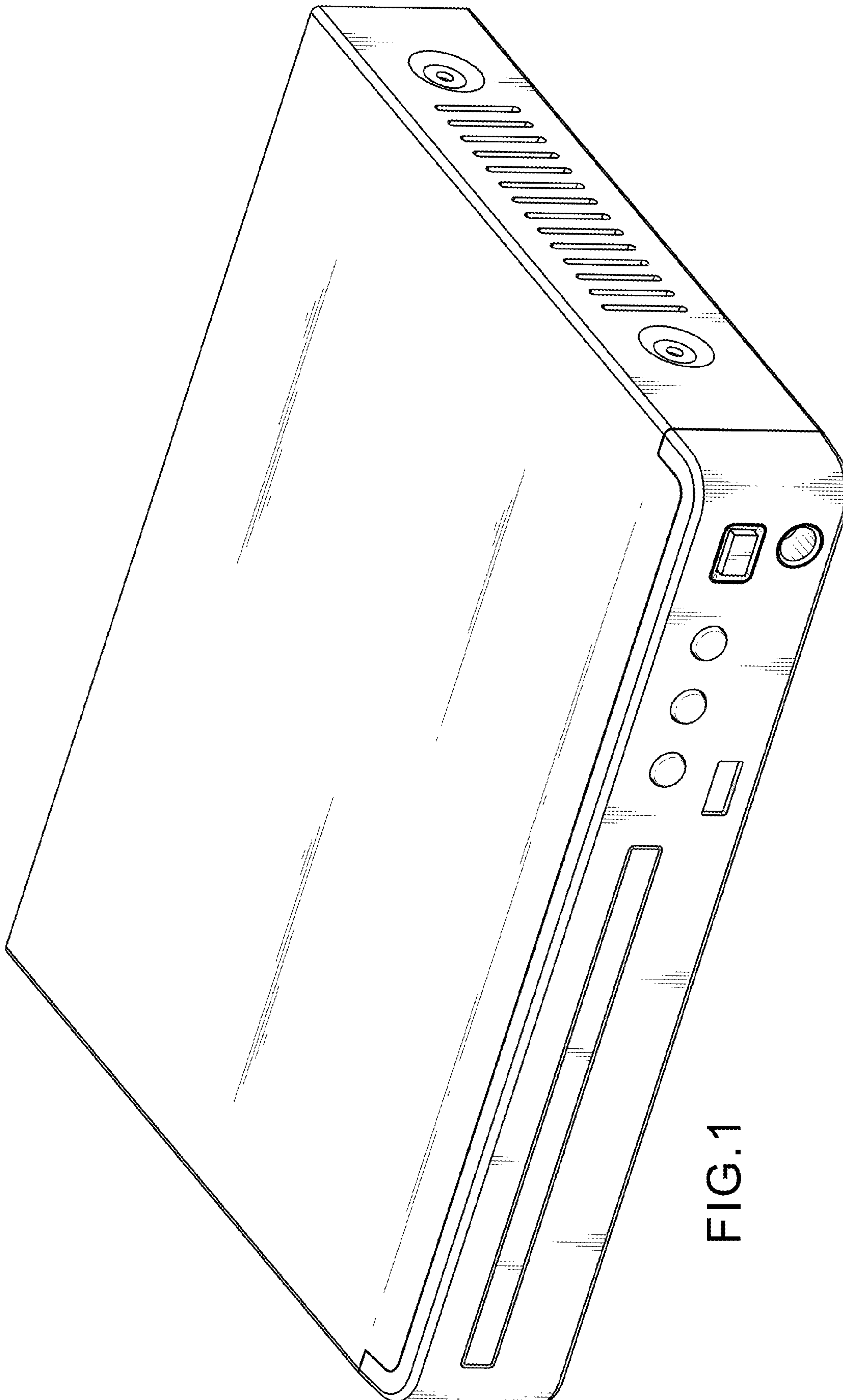


FIG.1

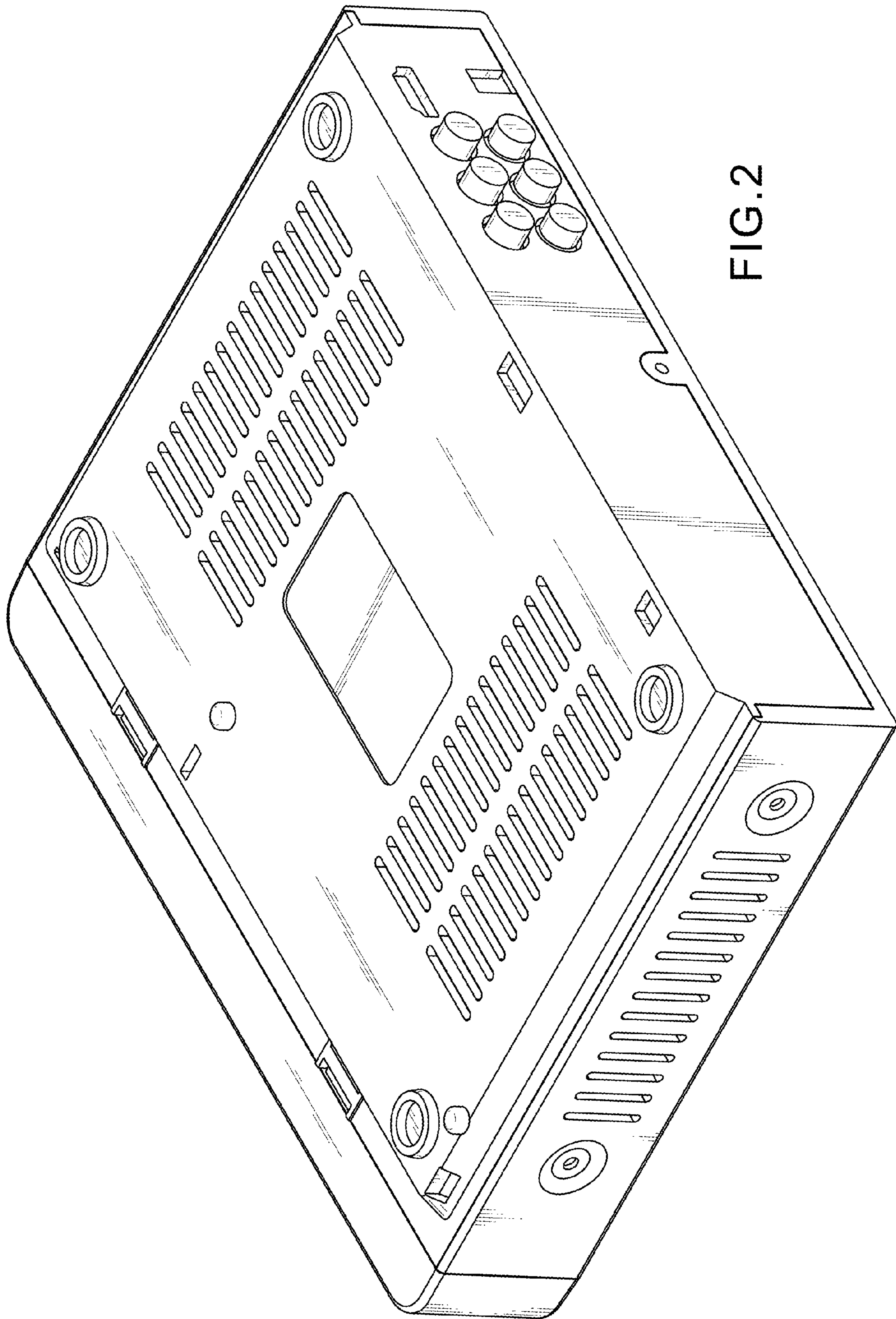


FIG. 2

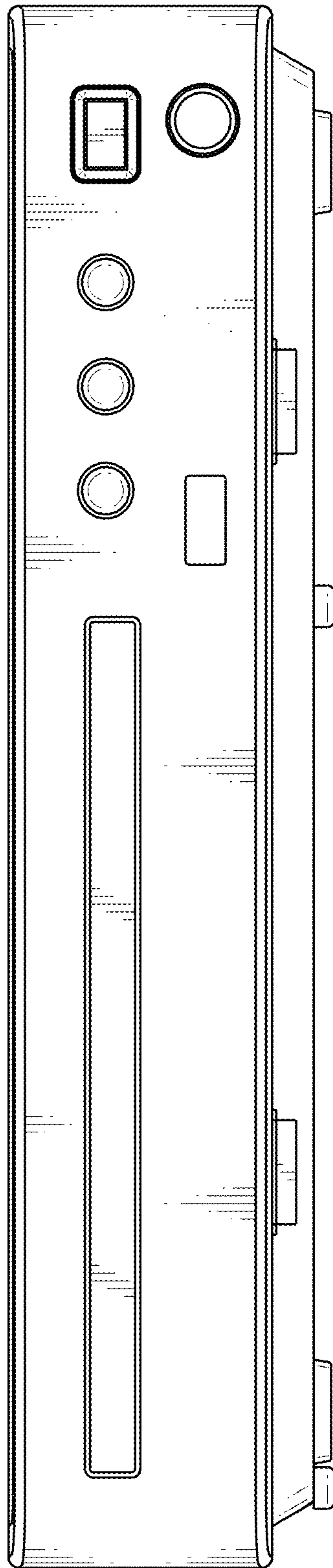


FIG. 3

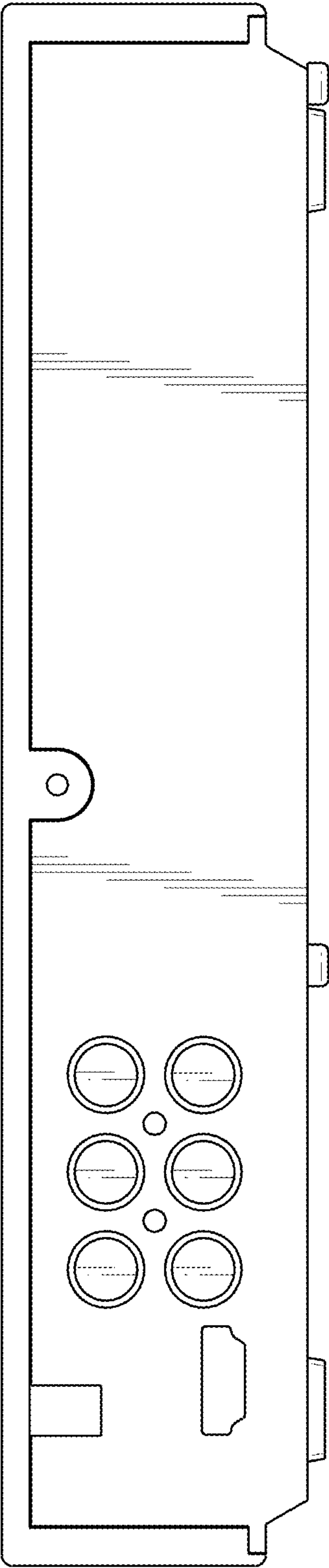


FIG.4

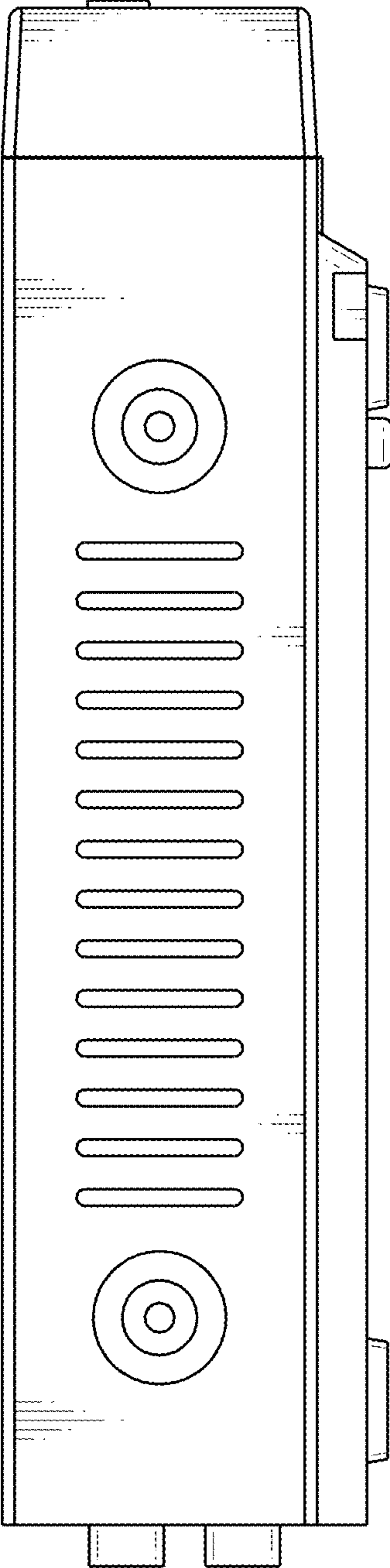


FIG. 5

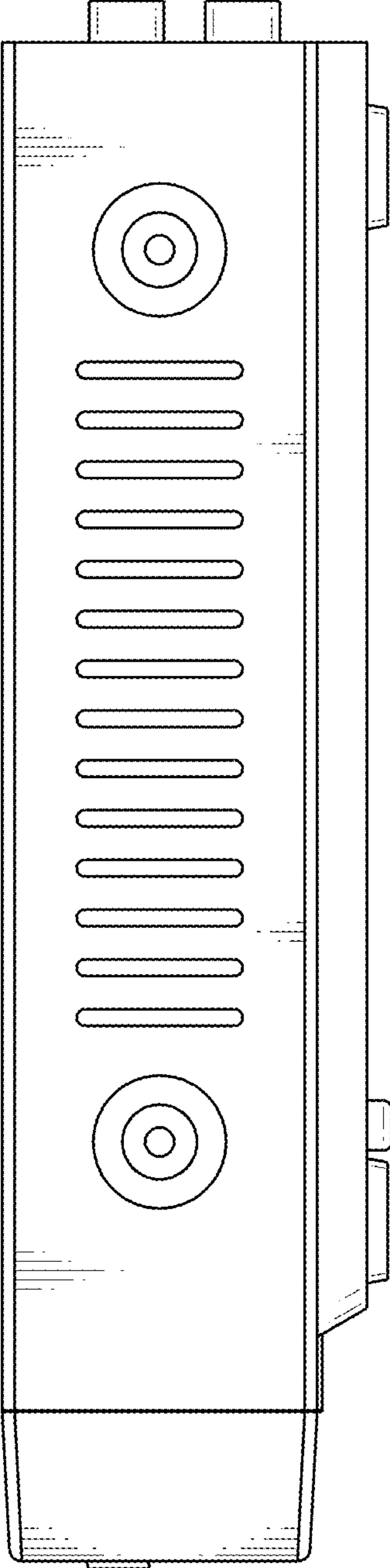


FIG.6

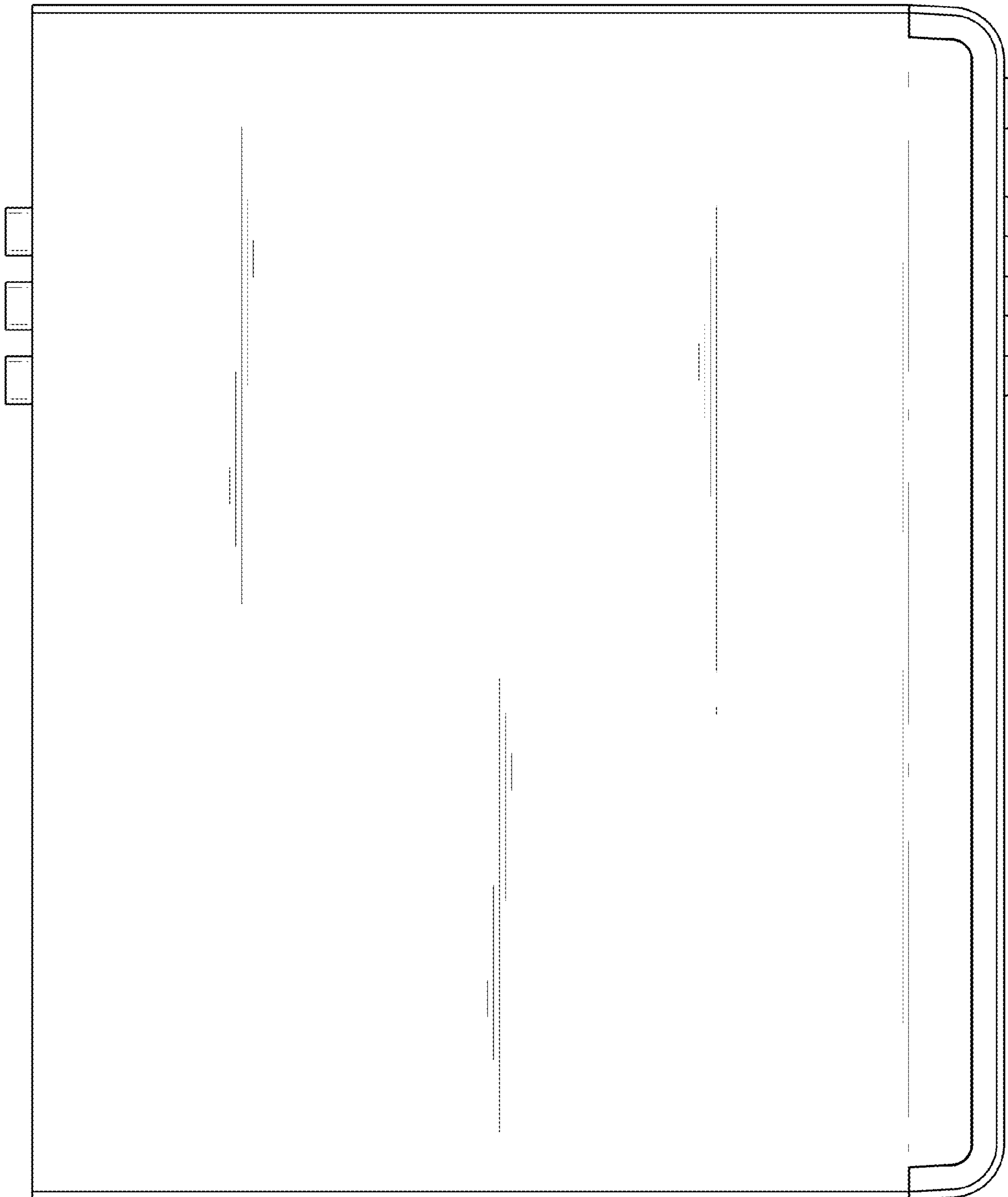


FIG. 7

FIG. 8

