



US00D905100S

(12) **United States Design Patent** (10) **Patent No.:** **US D905,100 S**  
**Watanabe** (45) **Date of Patent:** **\*\* Dec. 15, 2020**

(54) **DISPLAY SCREEN OR PORTION THEREOF WITH A GRAPHICAL USER INTERFACE**

*Primary Examiner* — Bao-Yen T Nguyen  
(74) *Attorney, Agent, or Firm* — Michael Best & Friedrich LLP

(71) Applicant: **SONY CORPORATION**, Tokyo (JP)

(72) Inventor: **Shoji Watanabe**, Kanagawa (JP)

(73) Assignee: **SONY CORPORATION**, Tokyo (JP)

(57) **CLAIM**

(\*\*) Term: **15 Years**

The ornamental design for a display screen or portion thereof with a graphical user interface, as shown and described.

(21) Appl. No.: **29/597,776**

(22) Filed: **Mar. 20, 2017**

(30) **Foreign Application Priority Data**

**DESCRIPTION**

Feb. 28, 2017 (JP) ..... D2017-003932  
Feb. 28, 2017 (JP) ..... D2017-003933  
Feb. 28, 2017 (JP) ..... D2017-003934  
Feb. 28, 2017 (JP) ..... D2017-003935  
Feb. 28, 2017 (JP) ..... D2017-003936

The patent or application file contains at least one drawing executed in color. Copies of this patent or patent application publication with color drawing(s) will be provided by the Office upon request and payment of the necessary fee.

(51) **LOC (12) Cl.** ..... **14-04**

FIG. 1 is a front view of a first embodiment of a display screen or portion thereof with a graphical user interface showing my new design;

(52) **U.S. Cl.**  
USPC ..... **D14/489**

FIG. 2 is an enlarged portion thereof along the lines 2-2 and 2'-2' of FIG. 1;

(58) **Field of Classification Search**  
USPC ..... D14/485-495  
CPC .... G06F 3/048; G06F 3/0481; G06F 3/04812; G06F 3/04815; G06F 3/04817; G06F 3/0482; G06F 3/0483; G06F 3/0484; G06F 3/04842; G06F 3/04845; G06F 3/04847; G06F 3/0485; G06F 3/04855; G06F 3/0486; G06F 3/0487; G06F 3/0488; G06F 3/04883; G06F 3/04886; H04N 1/00424

FIG. 3 is a second embodiment thereof;  
FIG. 4 is a third embodiment thereof; and  
FIG. 5 is a fourth embodiment thereof.

See application file for complete search history.

FIG. 6 is a front view of a fifth embodiment of a display screen or portion thereof with a graphical user interface showing my new design;

(56) **References Cited**

**U.S. PATENT DOCUMENTS**

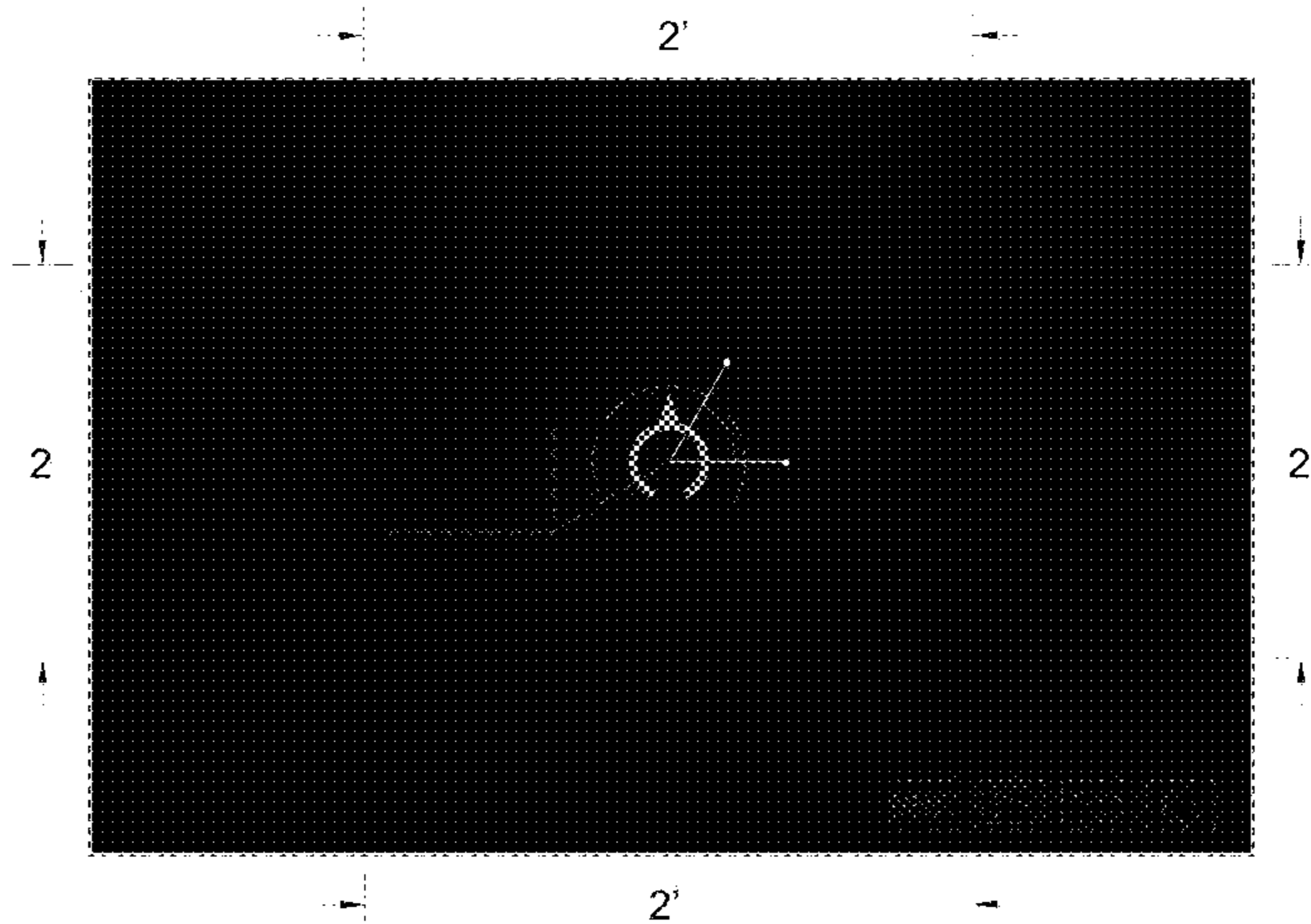
D456,028 S 4/2002 Sakata  
D681,649 S \* 5/2013 Fletcher ..... D14/485  
D690,720 S \* 10/2013 Waldman ..... D14/485  
D706,283 S \* 6/2014 Pedraza Padilla ..... D14/485

FIG. 7 is an enlarged portion thereof along the lines 7-7 and 7'-7' of FIG. 6;

FIG. 8 is a sixth embodiment thereof;  
FIG. 9 is a seventh embodiment thereof; and,  
FIG. 10 is an eighth embodiment thereof.

The broken lines illustrate the display screen or portion thereof and form no part of the claimed design. The broken lines illustrate portions of the graphical user interface and form no part of the claimed design. The dot-dash broken lines illustrate a display screen or portion thereof and form no part of the claimed design.

**1 Claim, 10 Drawing Sheets**  
**(5 of 10 Drawing Sheet(s) Filed in Color)**



(56)

**References Cited**

U.S. PATENT DOCUMENTS

D721,084	S	*	1/2015	Kimball	.....	D14/485
D746,295	S	*	12/2015	Arai	.....	D14/485
D748,648	S	*	2/2016	Kim	.....	D14/486
D763,288	S	*	8/2016	Mistry	.....	D14/486
D764,491	S	*	8/2016	Green	.....	D14/485
D764,516	S	*	8/2016	Lamparelli	.....	D14/486
D784,361	S	*	4/2017	Graham	.....	D14/485
D787,552	S	*	5/2017	Napper	.....	D14/489
D788,165	S	*	5/2017	Bunyard	.....	D14/489
D788,792	S	*	6/2017	Alessandri	.....	D14/485
D794,649	S	*	8/2017	Niijima	.....	D14/485
D798,311	S	*	9/2017	Golden	.....	F24F 11/30
						D14/485
D799,498	S	*	10/2017	Graham	.....	D14/485
D801,349	S	*	10/2017	Day	.....	D14/485
D801,350	S	*	10/2017	Rejkowski	.....	D14/485
D803,233	S	*	11/2017	Wilberding	.....	D14/485
D804,492	S	*	12/2017	Graham	.....	D14/485

\* cited by examiner

FIG.1

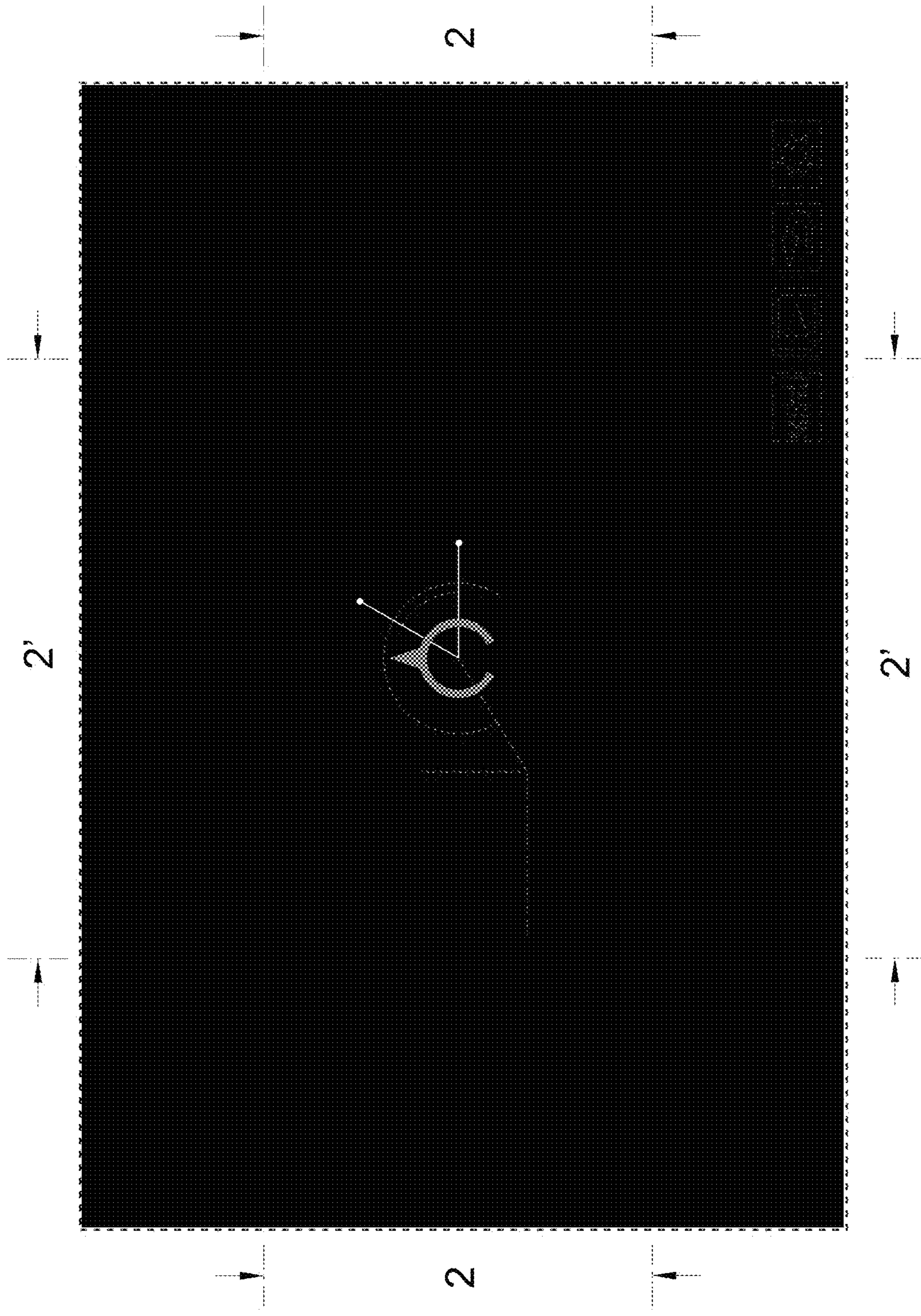


FIG.2

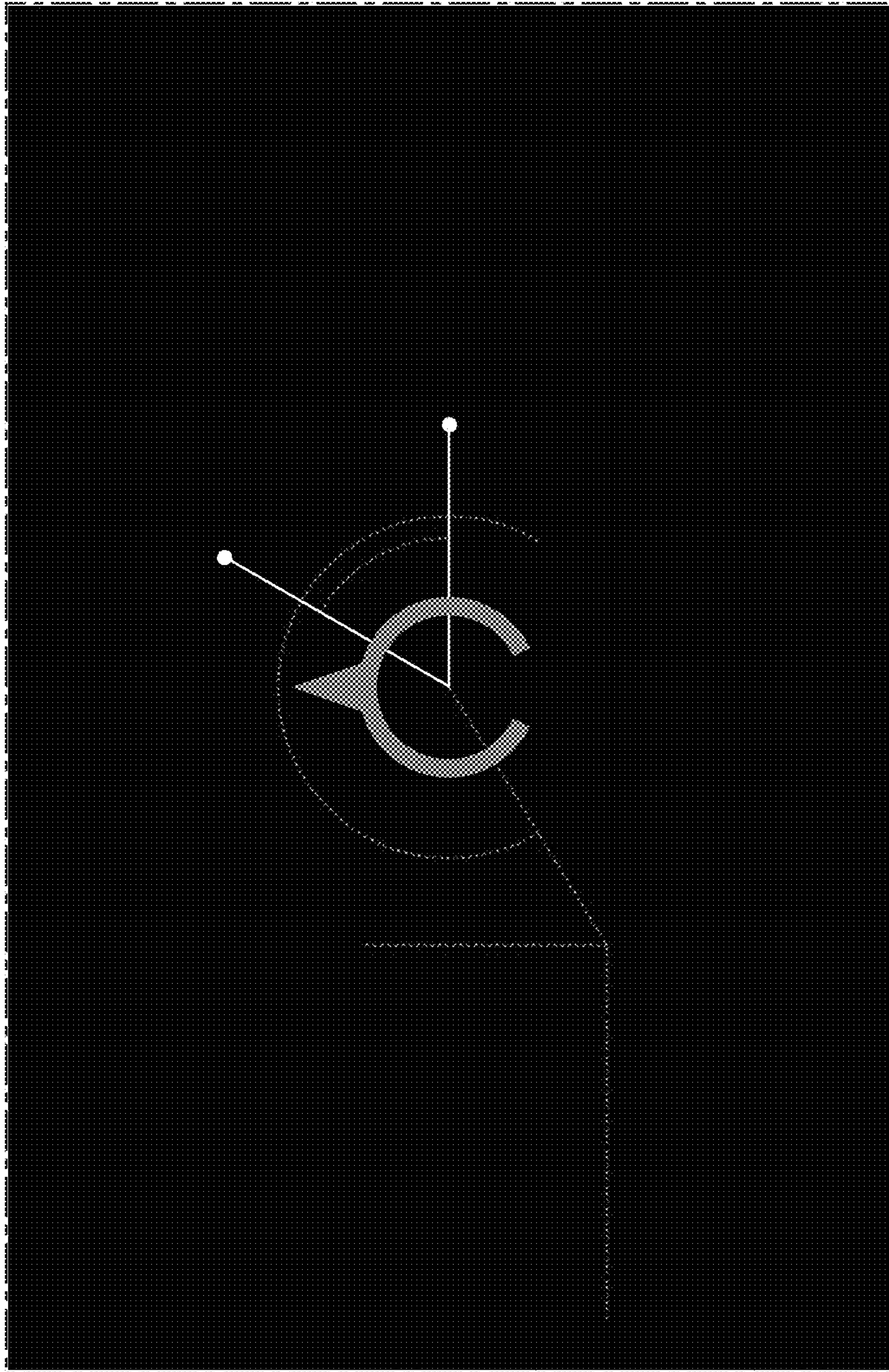


FIG.3

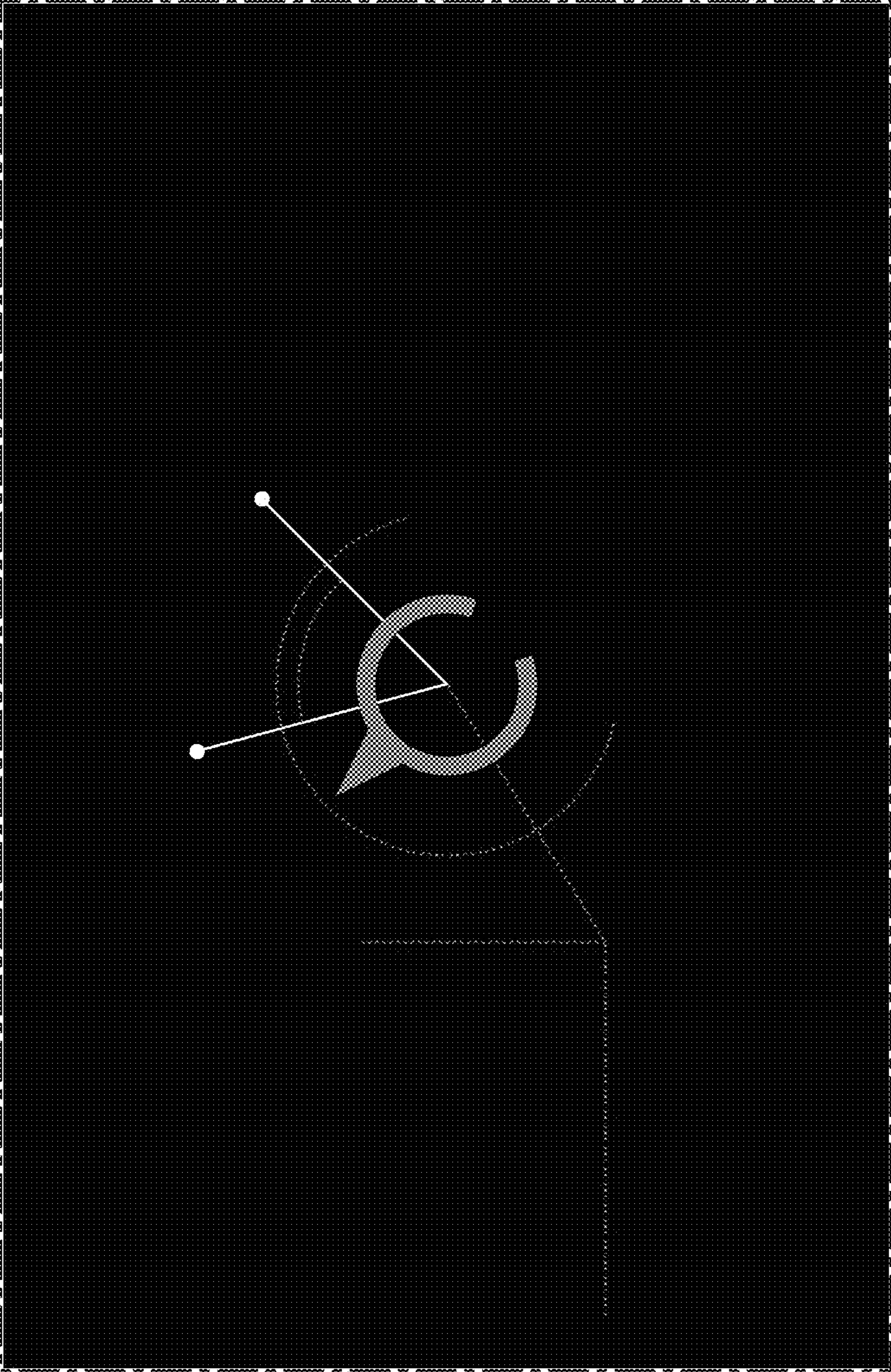


FIG.4

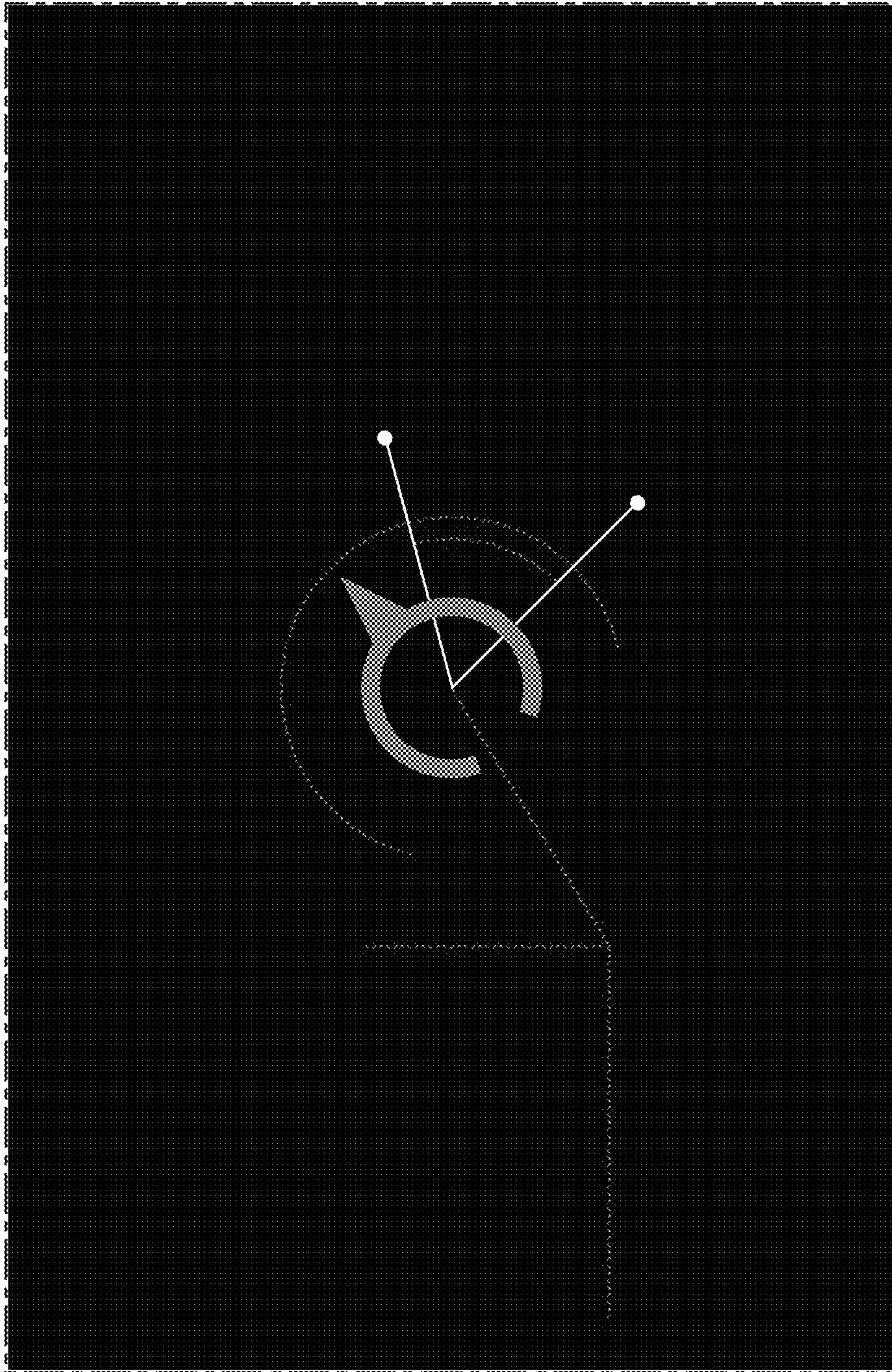


FIG.5

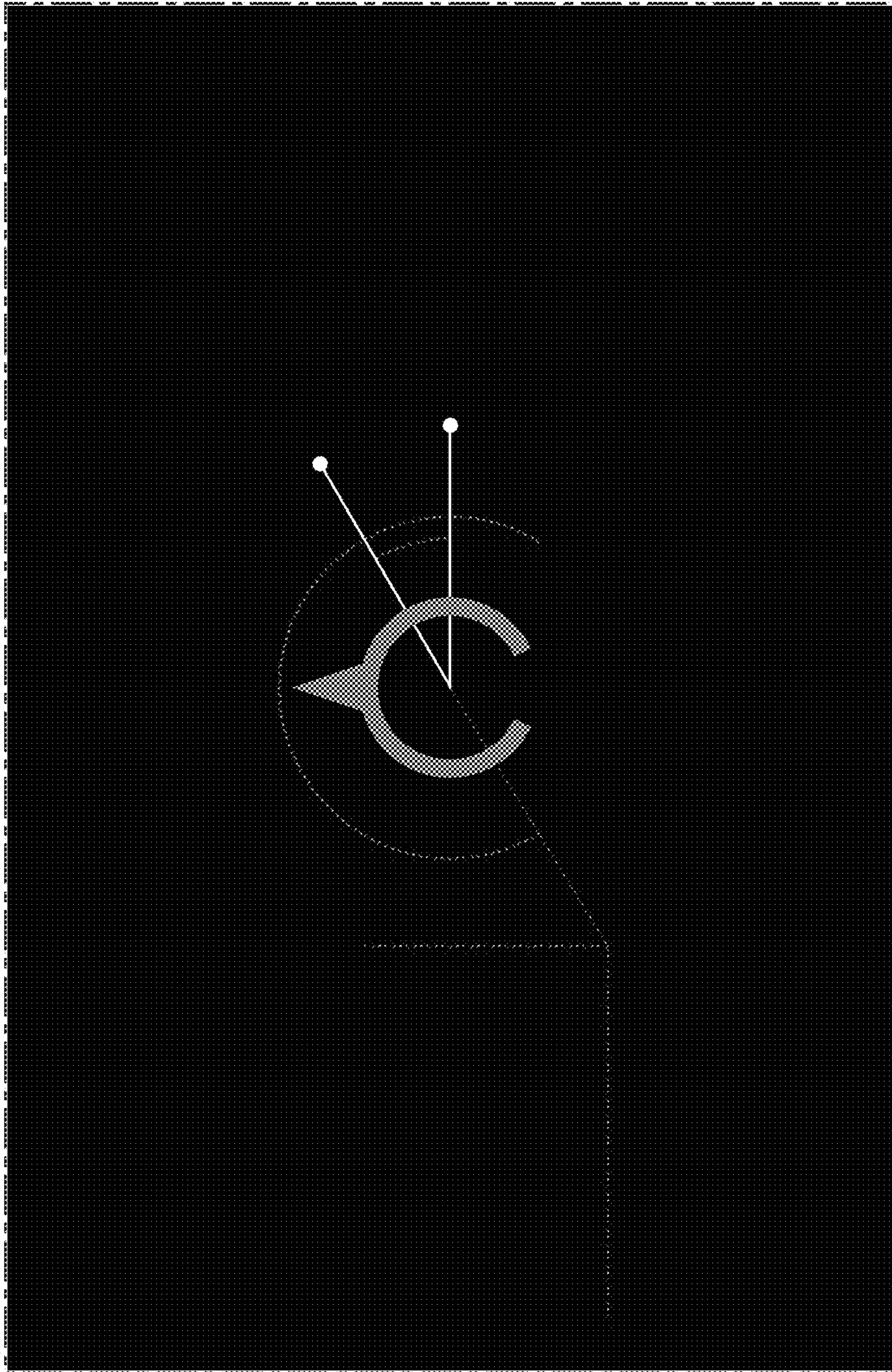


FIG.6

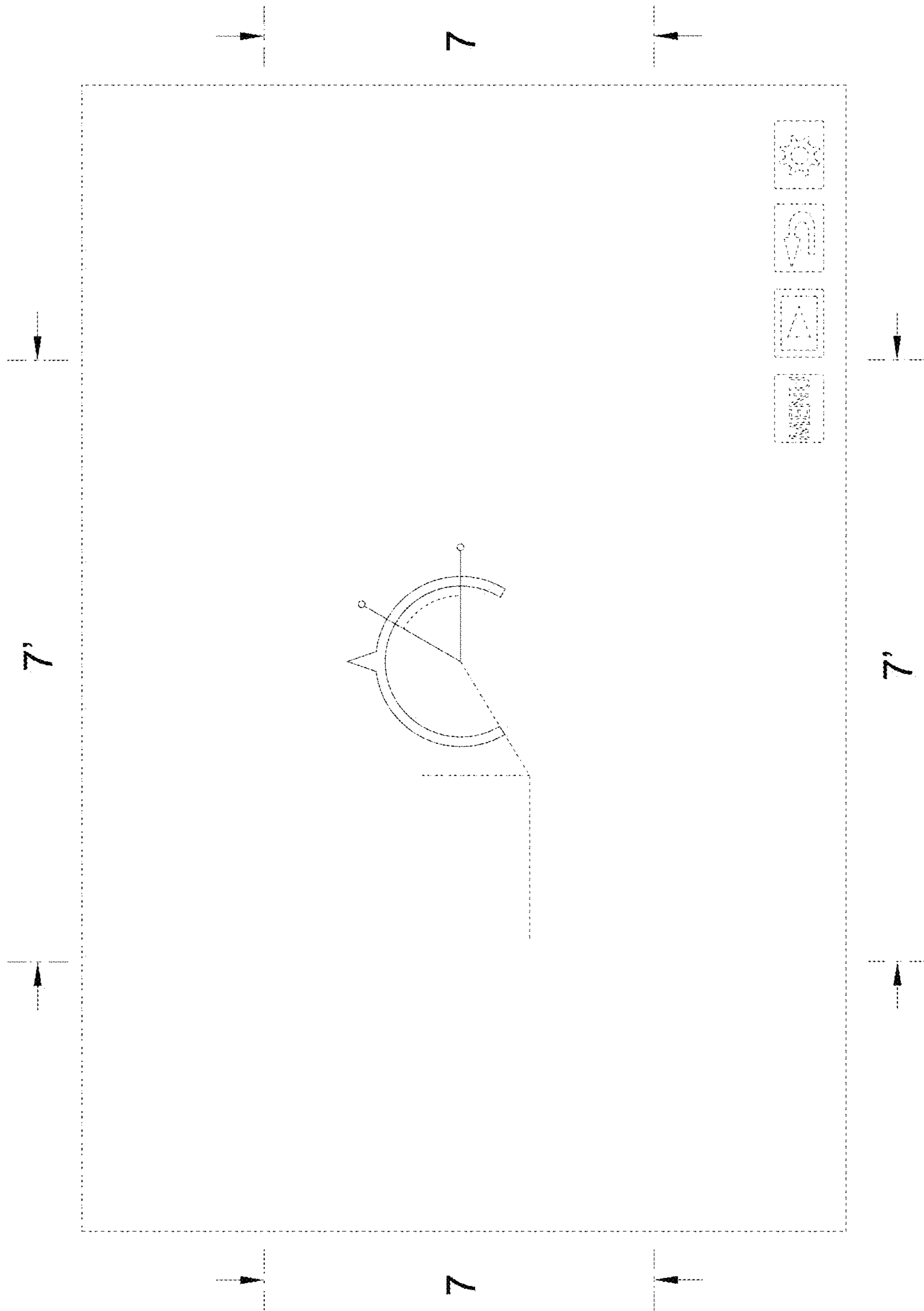




FIG.7

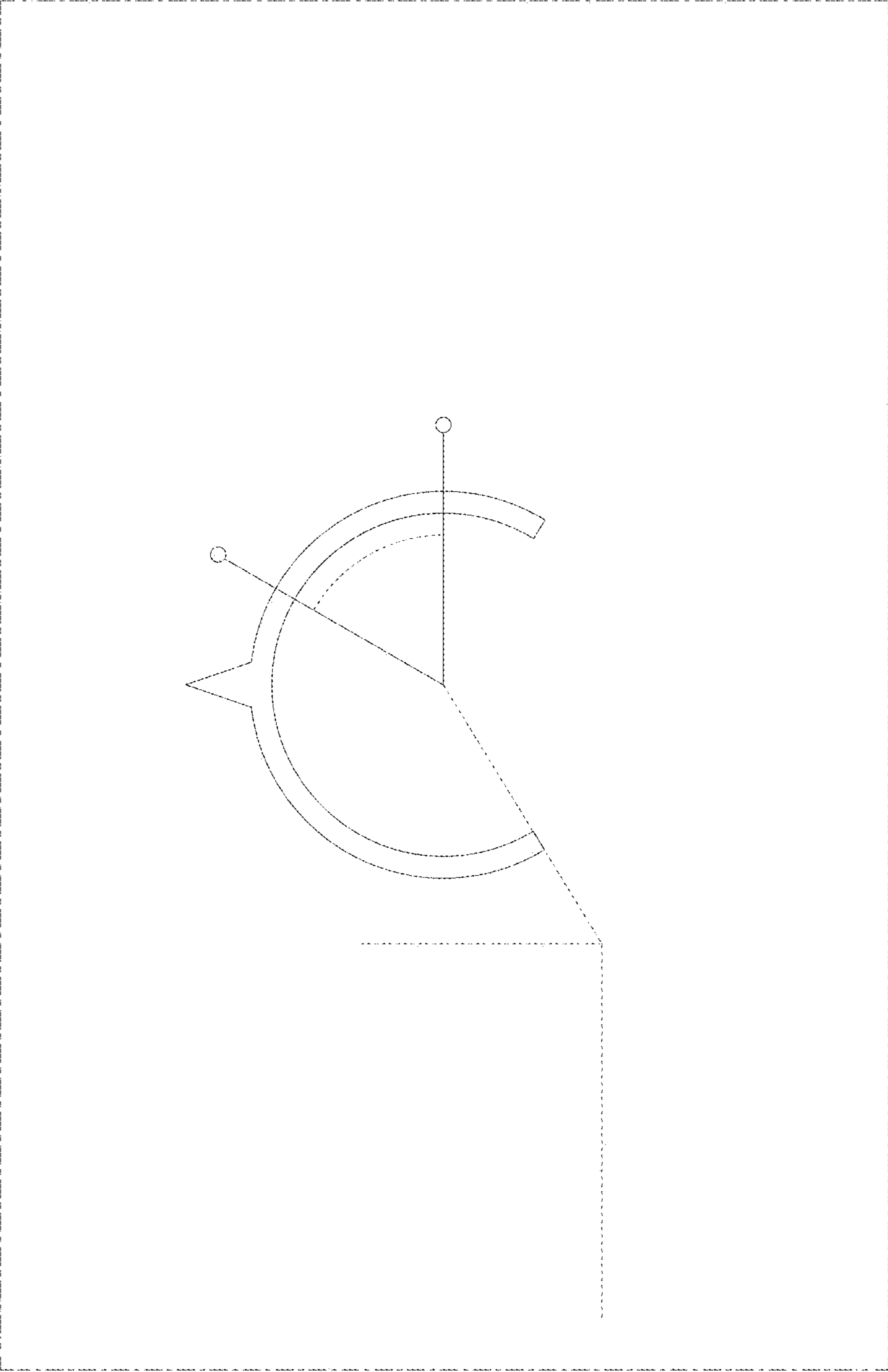


FIG. 8

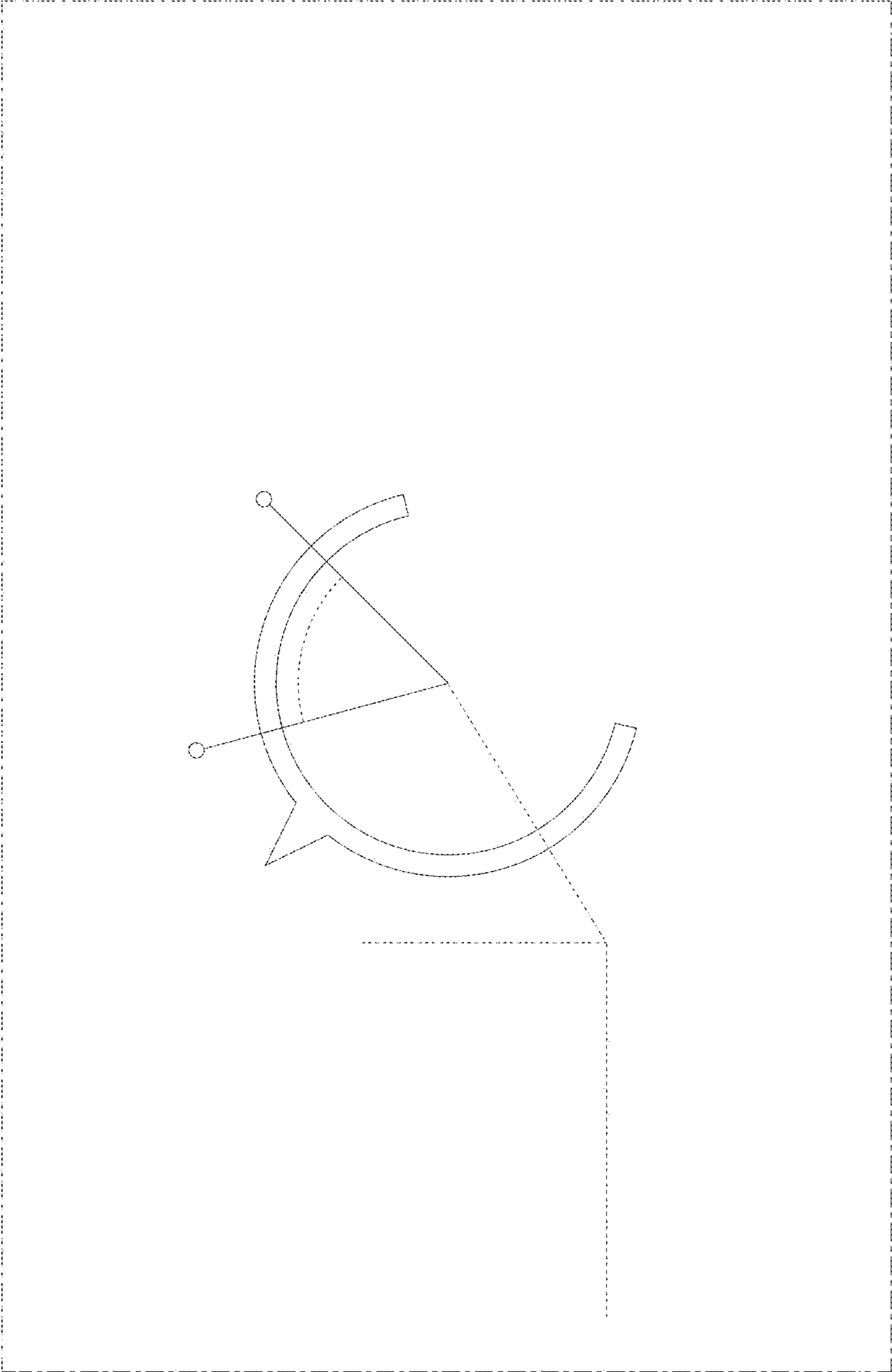


FIG. 9

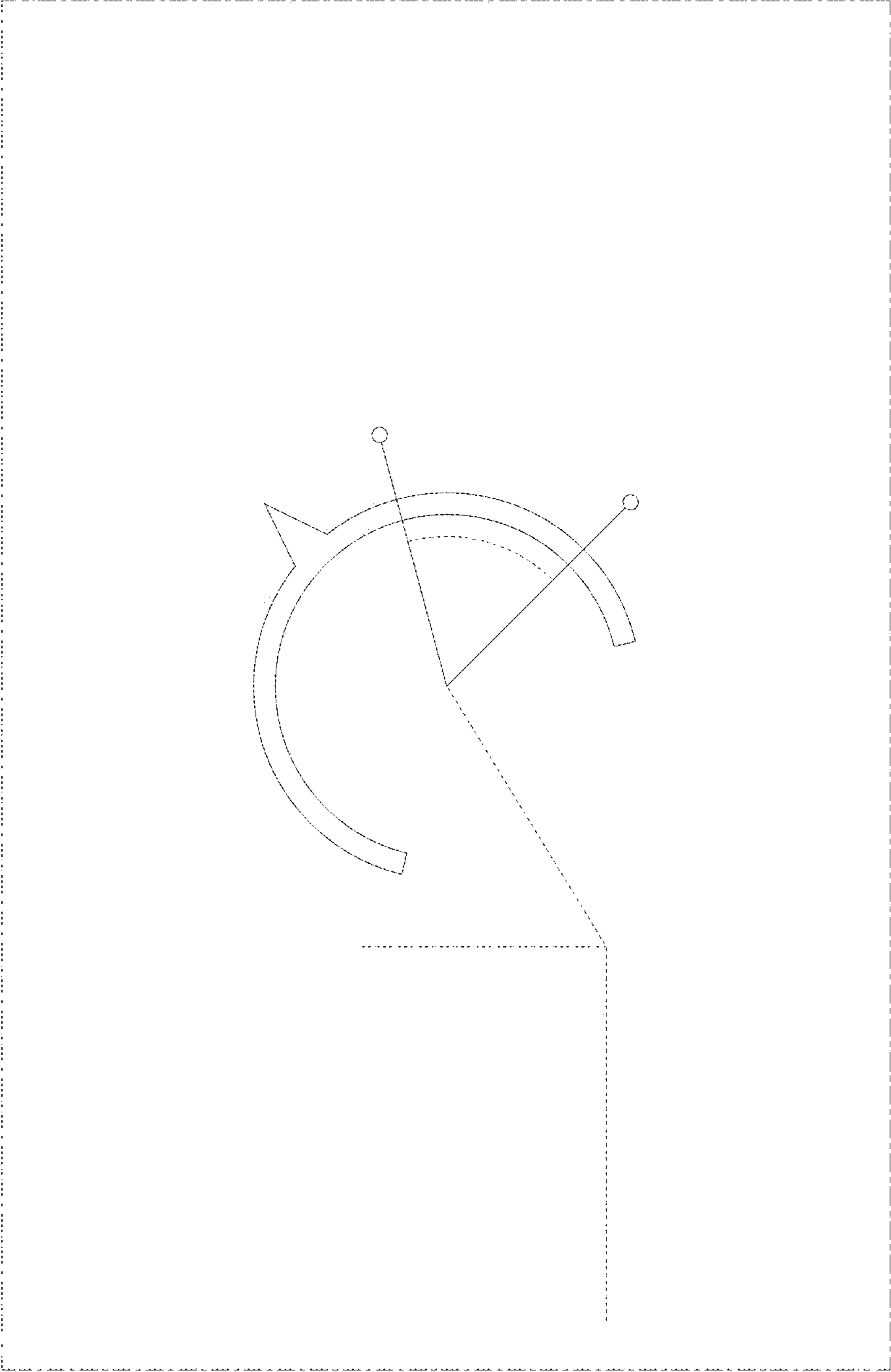


FIG.10

