



US00D905074S

(12) **United States Design Patent**
Lin et al.

(10) **Patent No.: US D905,074 S**

(45) **Date of Patent: ** Dec. 15, 2020**

(54) **DISPLAY SCREEN OR PORTION THEREOF WITH GRAPHICAL USER INTERFACE**

(56) **References Cited**

U.S. PATENT DOCUMENTS

(71) Applicant: **HTC Corporation**, Taoyuan (TW)

D555,164 S * 11/2007 Sergio D14/486

D586,353 S * 2/2009 Lee D14/485

D637,196 S * 5/2011 Ray D14/486

(72) Inventors: **Wei-Che Lin**, Taoyuan (TW);
Ching-Tzu Hung, Taoyuan (TW);
Pei-Chun Tsai, Taoyuan (TW); **I-Chen Chen**, Taoyuan (TW); **Sheng-Hsin Huang**, Taoyuan (TW)

(Continued)

FOREIGN PATENT DOCUMENTS

(73) Assignee: **HTC Corporation**, Taoyuan (TW)

EM 002021618-0001 4/2012

TW D174759 4/2016

TW D178663 10/2016

(**) Term: **15 Years**

OTHER PUBLICATIONS

(21) Appl. No.: **29/705,080**

Staron, Jakob "Speedtest" Sep. 9, 2018, Behance, site visited Sep. 29, 2020: <https://www.behance.net/gallery/69803975/Speedtest> (Year: 2018).*

(22) Filed: **Sep. 10, 2019**

(Continued)

(30) **Foreign Application Priority Data**

Jul. 24, 2019 (TW) 108304426

(51) **LOC (12) Cl.** **14-04**

(52) **U.S. Cl.**
USPC **D14/485**; D14/488

(58) **Field of Classification Search**
USPC D14/485-495; 340/435, 441, 903;
116/62.1; 701/301, 96
CPC B60K 2370/155; B60K 2370/11; B60K 2370/1438; B60K 2310/22; B60K 37/00; B60W 30/143; B60W 30/08; B60W 30/12; B60W 30/46; B60W 30/16; B60W 2050/146; B60W 50/14; B60W 50/0098; B60W 50/08; B60W 2554/804; B60W 2555/60; G01C 21/3658; G01S 2013/932; G06F 3/04847; G06F 3/488; G06F 3/04817; G06F 3/0482; G06F 3/0484; G06F 11/3065; G06F 11/328; G06K 9/00791; G08G 1/167; G08G 1/0112; H04N 21/41422; H04W 4/48

See application file for complete search history.

Primary Examiner — Jack Reickel
Assistant Examiner — Christopher M Spivey
(74) *Attorney, Agent, or Firm* — JCIPRNET

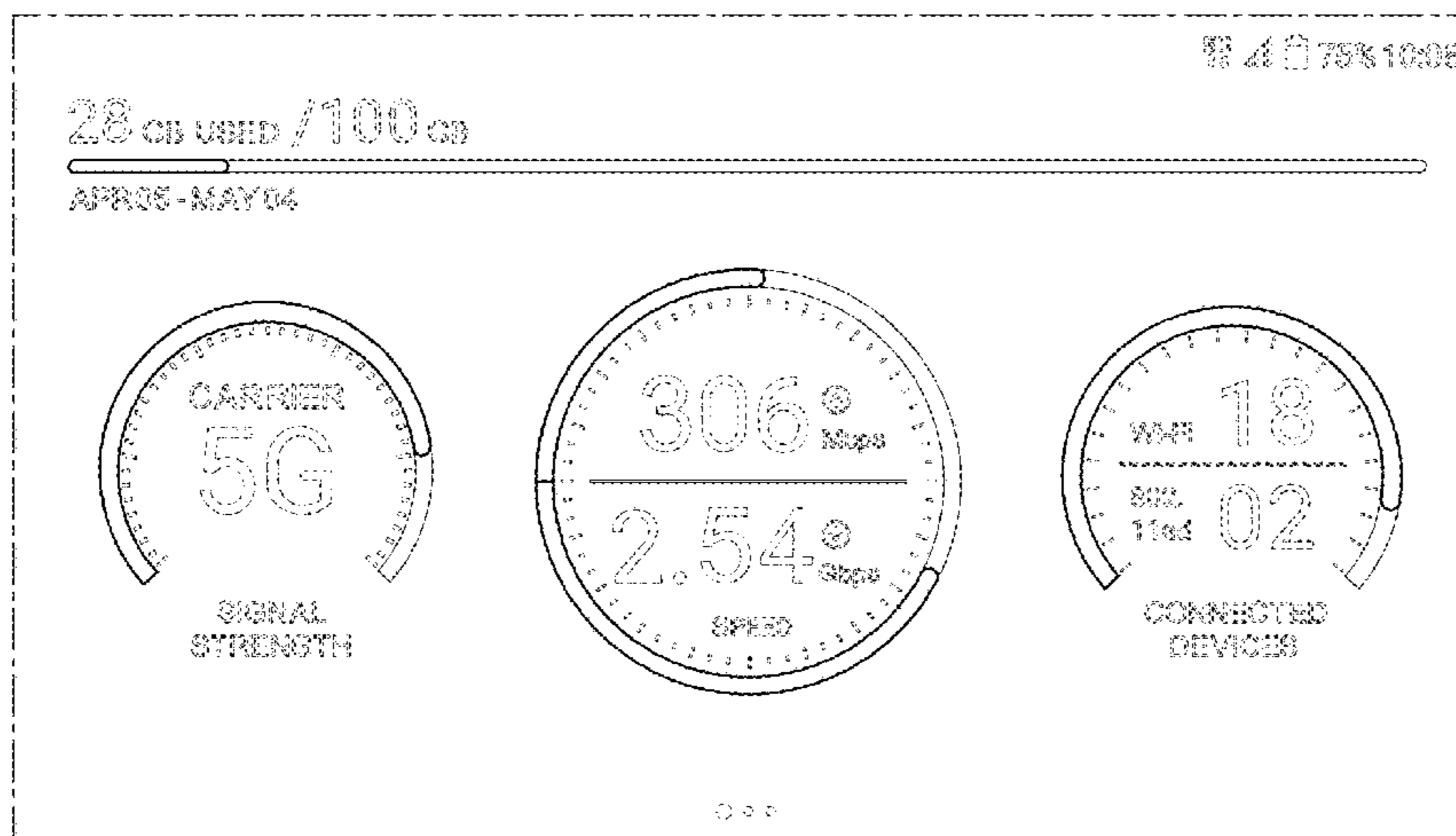
(57) **CLAIM**

The ornamental design for a display screen or portion thereof with graphical user interface, as shown and described.

DESCRIPTION

FIG. 1 is a front view of a display screen or portion thereof with graphical user interface according to a first embodiment of our new design; and, FIG. 2 is a front view of a display screen or portion thereof with graphical user interface according to a second embodiment of our new design. The dot-dash broken lines showing the display screen or portion thereof in FIGS. 1-2 form no part of the claimed design. The dashed broken lines showing portions of the graphical user interface in FIGS. 1 and 2 form no part of the claimed design.

1 Claim, 2 Drawing Sheets



(56)

References Cited

U.S. PATENT DOCUMENTS

7,982,630 B2 * 7/2011 Kim B60K 35/00
340/815.4
8,577,487 B2 * 11/2013 Tarte G06F 30/15
700/97
D697,518 S 1/2014 Thomsen et al.
D723,582 S * 3/2015 Green D14/486
D753,685 S * 4/2016 Zimmerman D14/486
D753,708 S * 4/2016 Yang G06F 3/04817
D14/488
D761,801 S * 7/2016 Rickes G06F 3/04817
D14/485
D763,282 S * 8/2016 Lee D14/486
D764,495 S * 8/2016 Cartlidge D14/485
D775,194 S * 12/2016 Caldwell G06Q 40/12
D14/488
D781,879 S 3/2017 Butcher et al.
D802,008 S 11/2017 Zhang et al.
D803,252 S * 11/2017 Eriksson D14/486
D809,535 S * 2/2018 Park D14/485
D823,879 S * 7/2018 Brigham D14/486
D824,416 S * 7/2018 Memmelaar, Jr. D14/488
D829,235 S * 9/2018 Gangcuangco D14/486
D839,888 S * 2/2019 Yun D14/485
D847,185 S * 4/2019 Huang D14/486
D864,224 S * 10/2019 Subrahmanian D14/486
D872,109 S * 1/2020 Folken D14/485
D888,084 S * 6/2020 Doti D14/486
2013/0345978 A1 * 12/2013 Lush G01C 21/3484
701/533

2014/0245161 A1 * 8/2014 Yuen A61B 5/0022
715/736
2015/0106726 A1 * 4/2015 Nagasaki G06F 3/0482
715/739
2018/0208060 A1 * 7/2018 Kim B60W 50/14

OTHER PUBLICATIONS

Jassal, Lukesh "SpeedTest" Apr. 21, 2018, Behance, site visited Sep. 29, 2020: <https://www.behance.net/gallery/64706349/SpeedTest> (Year: 2018).*

"Ookla Speedtest" Jul. 28, 2014, Behance, site visited Sep. 29, 2020: <https://www.behance.net/gallery/18560233/Ookla-Speedtest> (Year: 2014).*

Smith, Grayson "Speedtest for Mac" Nov. 29, 2017, Dribbble, site visited Sep. 30, 2020: <https://dribbble.com/shots/3984206-Speedtest-For-Mac> (Year: 2017).*

Asanta, Sam "Guages" Sep. 17, 2012, Dribbble, site visited Sep. 30, 2020: <https://dribbble.com/shots/732967-Guages> (Year: 2012).*

"Introducing the SourceForge Internet Speed Test" Jun. 7, 2016, Sourceforge, site visited Sep. 29, 2020: <https://sourceforge.net/blog/introducing-the-sourceforge-speed-test/> (Year: 2016).*

Tayyab, Amir "Internet Speed Tests and Recommended Internet Connection Speeds" Dec. 30, 2016, Wordpress, site visited Sep. 29, 2020: <https://aatayyab.wordpress.com/2016/12/30/internet-speed-tests-and-recommended-internet-connection-speeds/> (Year: 2016).*

"Office Action of Taiwan Counterpart Application", dated Jul. 2, 2020, p. 1-p. 3.

* cited by examiner

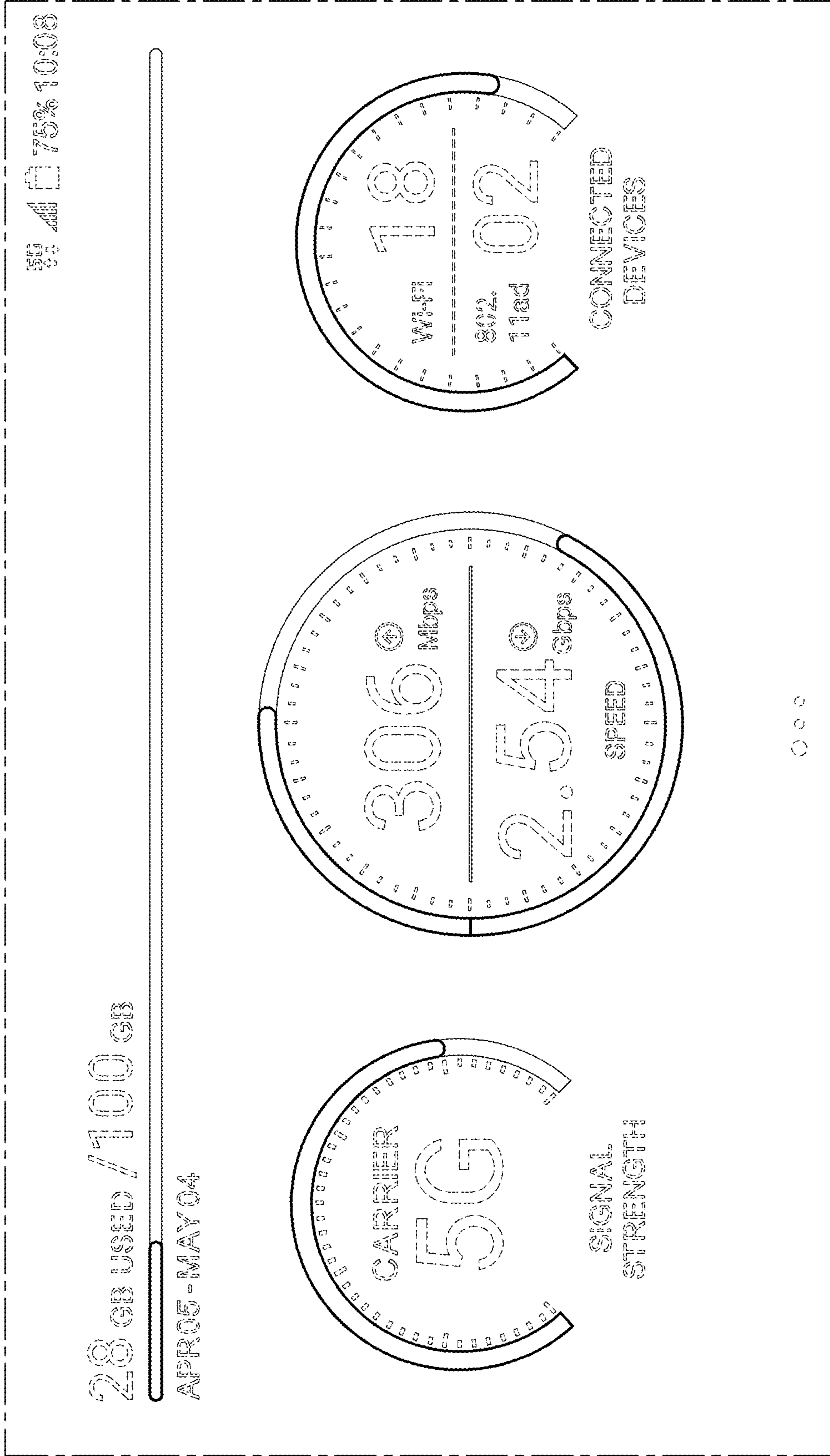


FIG. 1

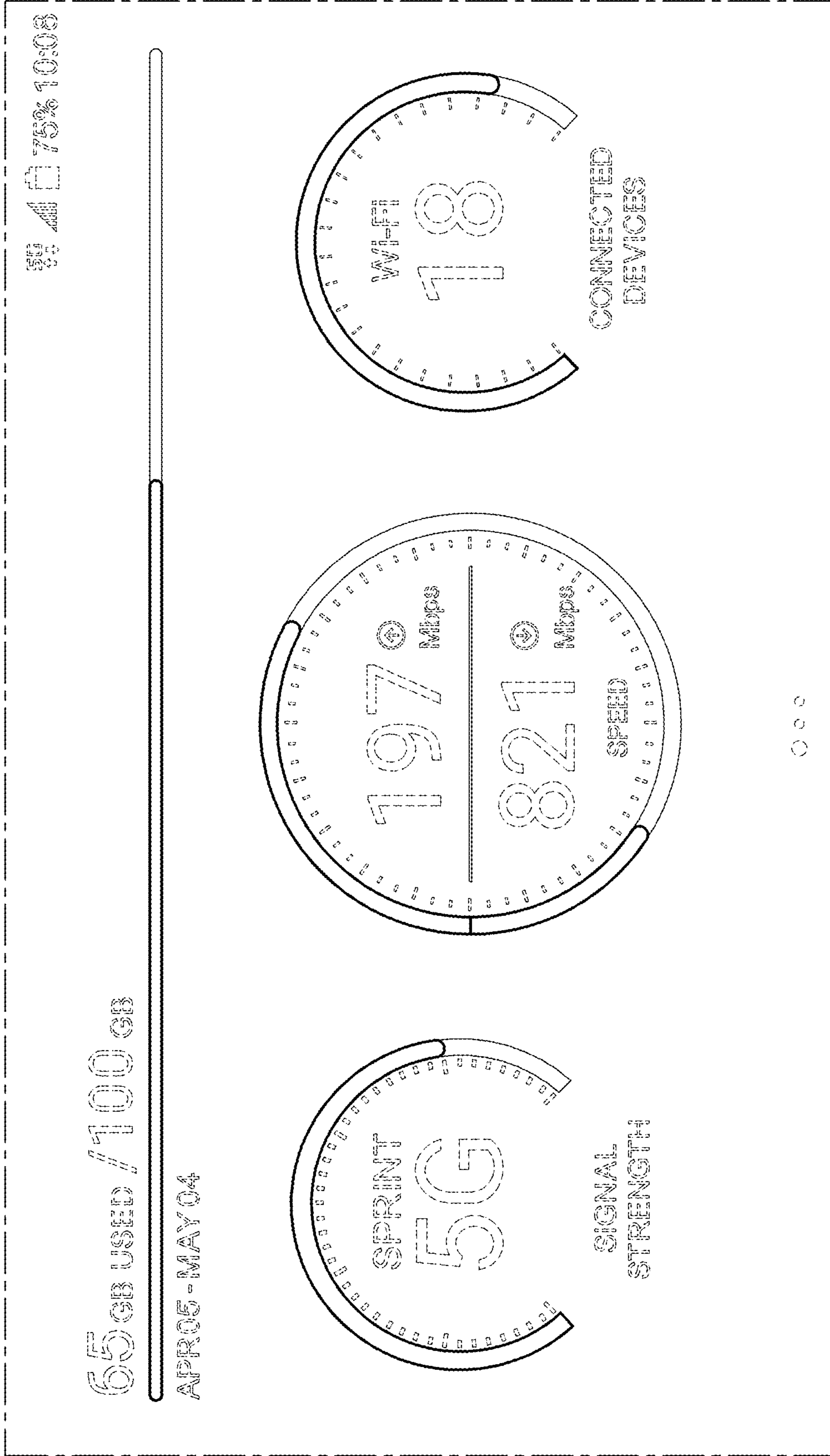


FIG. 2