



US00D905072S

(12) **United States Design Patent** (10) **Patent No.:** **US D905,072 S**
Buzzi (45) **Date of Patent:** **** Dec. 15, 2020**

(54) **CAP** B65D 41/3442; B65D 41/3447; B65D 47/06; B65D 2101/0023; B65D 2101/0046

(71) Applicant: **GUALA PACK S.P.A.**, Castellazzo Bormida (IT) See application file for complete search history.

(72) Inventor: **Alberto Buzzi**, Castellazzo Bormida (IT) (56)

References Cited

U.S. PATENT DOCUMENTS

(73) Assignee: **GUALA PACK S.p.A.**, Castellazzo Bormida, Alessandria (IT)

D610,007 S *	2/2010	Baughman	D9/454
D682,690 S *	5/2013	Bowes	D9/439
D683,580 S *	6/2013	Rosenfeld	D7/392
D684,056 S *	6/2013	Kwon	D9/452
D684,057 S *	6/2013	Kwon	D9/453
D684,058 S *	6/2013	Kwon	D9/453
D712,266 S *	9/2014	Romer	D9/454
D712,744 S *	9/2014	Neputy	D9/454
D713,247 S *	9/2014	Webster	D9/438
D717,650 S *	11/2014	Tamarindo	D9/454
D735,038 S *	7/2015	Tamarindo	D9/454
D748,472 S *	2/2016	Seybel	D9/434
D796,326 S *	9/2017	Ichikawa	D9/434

(**) Term: **15 Years**

(21) Appl. No.: **35/504,872**

(22) Filed: **Mar. 22, 2018**

(80) **Hague Agreement Data**

Int. Filing Date: **Mar. 22, 2018**

Int. Reg. No.: **DM/100774**

Int. Reg. Date: **Mar. 22, 2018**

Int. Reg. Pub. Date: **May 4, 2018**

(30) **Foreign Application Priority Data**

Sep. 27, 2017 (IT) 402017000108136

(51) **LOC (12) Cl.** **09-07**

(52) **U.S. Cl.**
USPC **D14/454**

(58) **Field of Classification Search**

USPC D9/435, 439, 440, 443, 445, 447, 449, D9/452, 453, 454, 499, 520, 558, 705, D9/708, 709, 710; D7/387, 391, 397, D7/412, 415; D3/202, 273, 275, 294
CPC B65D 2101/00; B65D 33/34; B65D 35/44; B65D 41/32; B65D 41/34; B65D 41/3409; B65D 41/3423; B65D 41/3428;

* cited by examiner

Primary Examiner — Bao-Yen T Nguyen

(74) *Attorney, Agent, or Firm* — Thomas|Horstemeyer, LLP

(57) **CLAIM**

The ornamental design for cap, as shown and described.

DESCRIPTION

1.1 is a top perspective view of a cap, showing my new design;

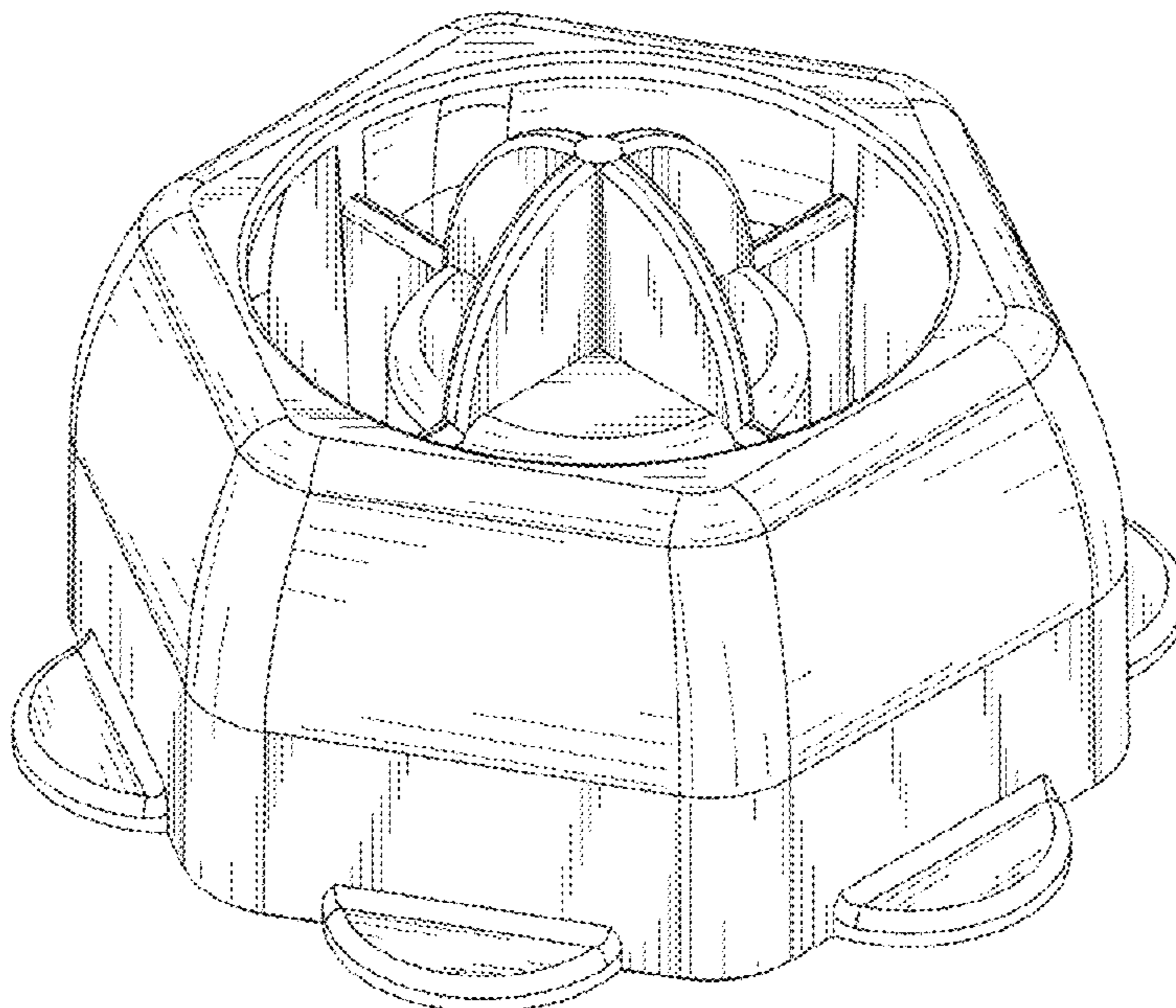
1.2 is a bottom perspective view thereof;

1.3 is a top view thereof; and

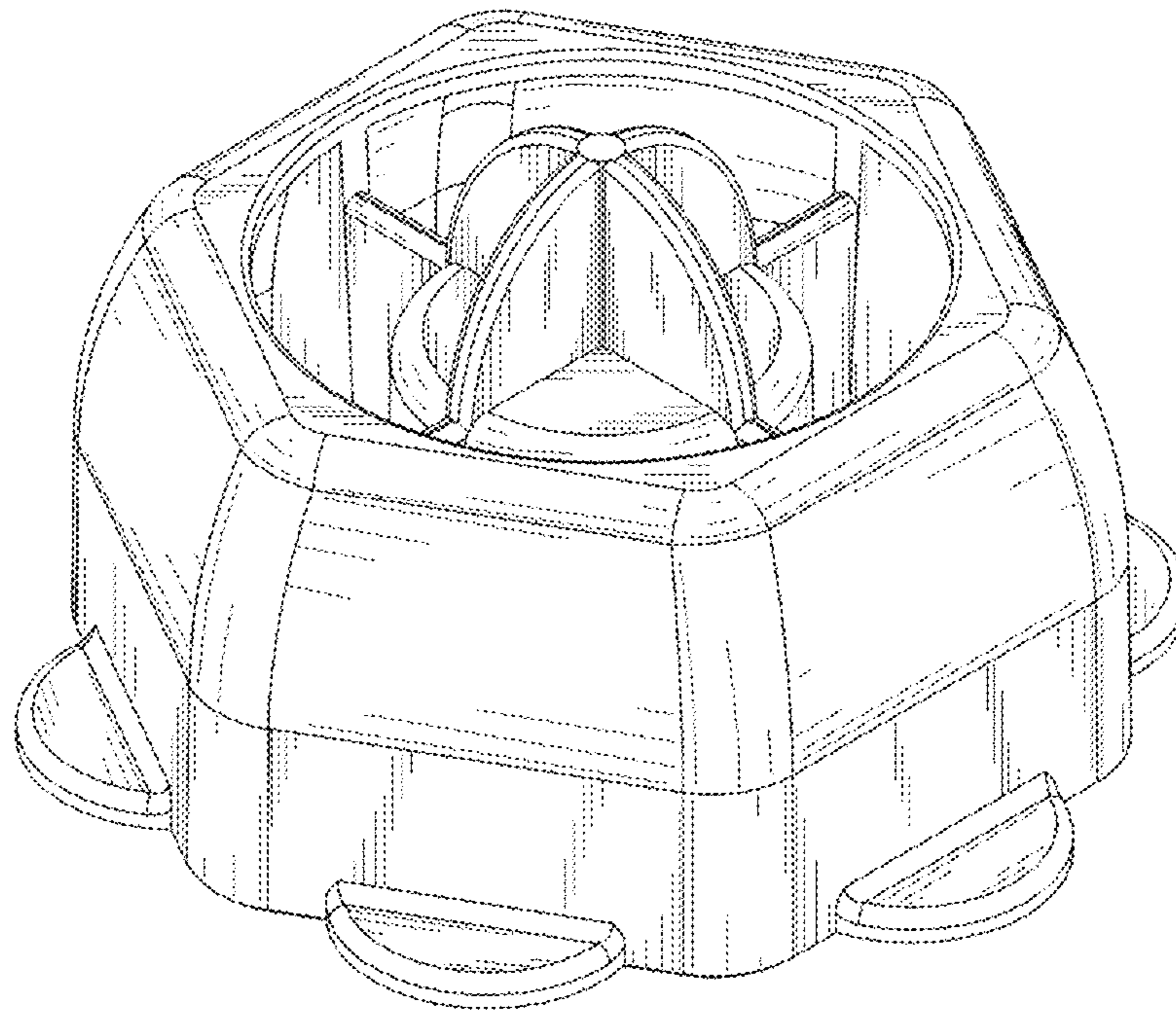
1.4 is a bottom view thereof.

The broken lines are shown for the purpose of illustrating portions of the part of the cap that form no part of the claimed design.

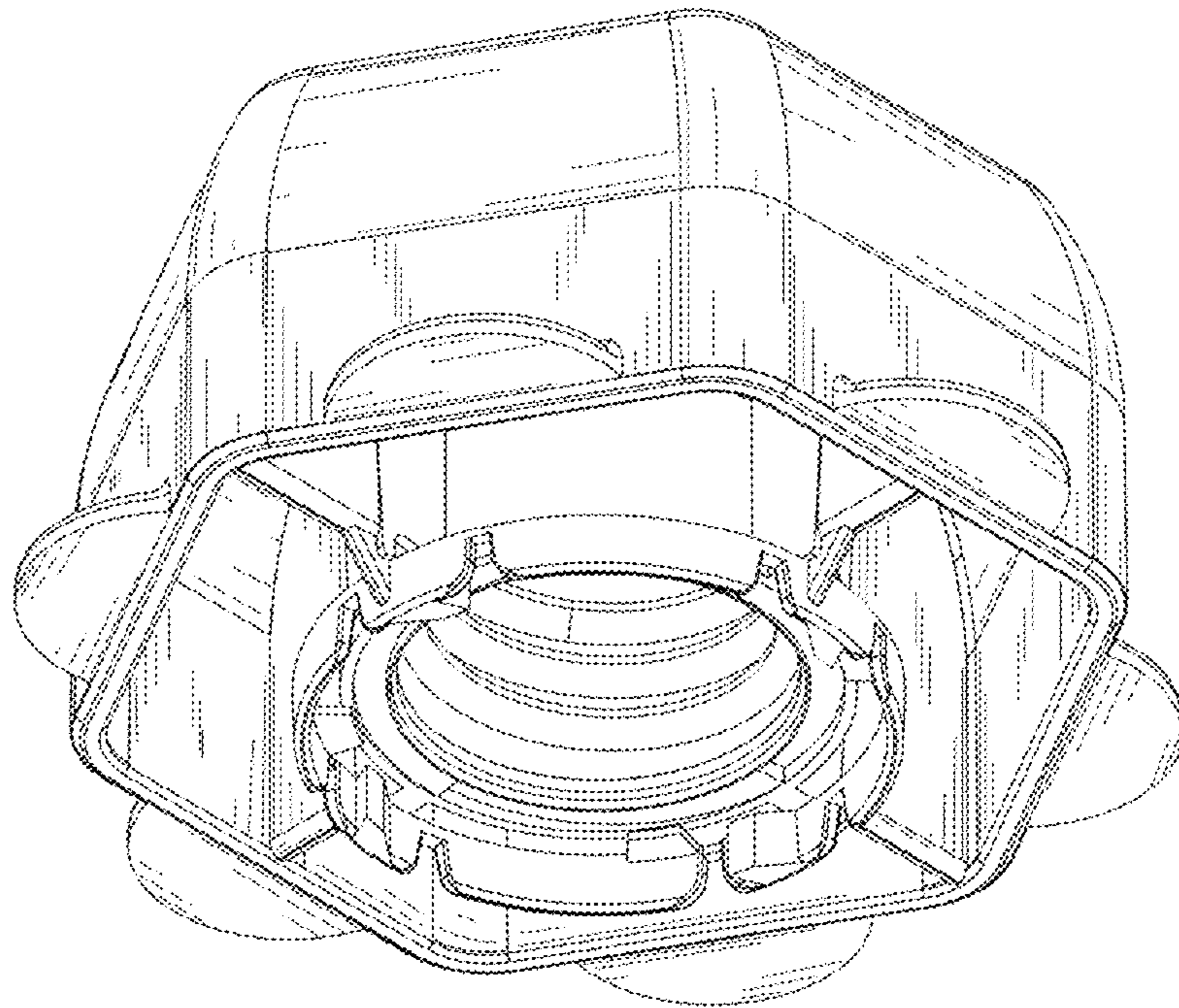
1 Claim, 4 Drawing Sheets



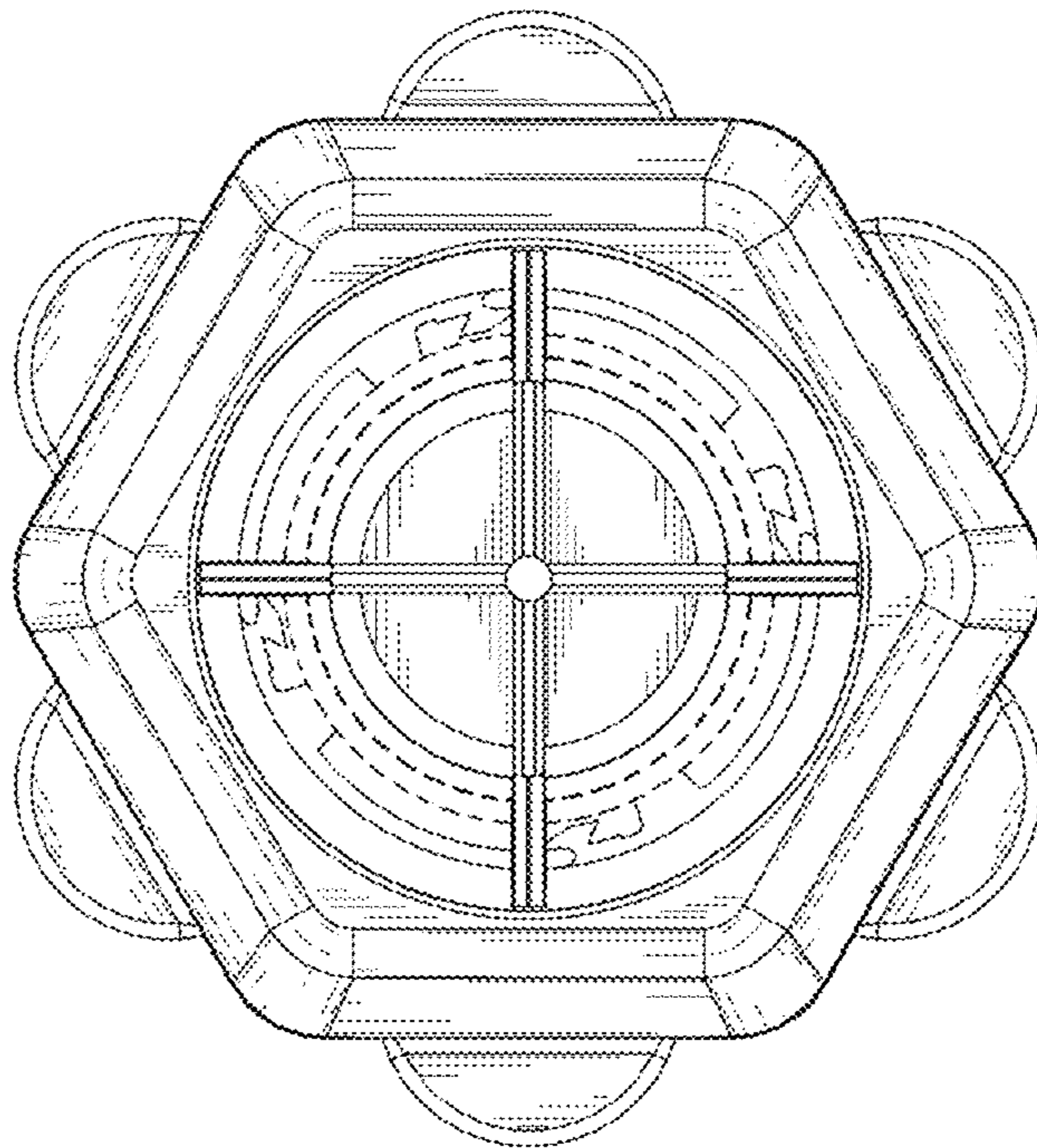
1.1



1.2



1.3



1.4

