



US00D905070S

(12) **United States Design Patent** (10) **Patent No.:** **US D905,070 S**
Pei (45) **Date of Patent:** **** Dec. 15, 2020**

(54) **TV MOUNT BRACKET**
(71) Applicant: **Xinadda (Hong Kong) Limited**, Lai Chi Kok (CN)
(72) Inventor: **Xubo Pei**, Shenzhen (CN)
(73) Assignee: **XINADDA (HONG KONG) LIMITED**, Lai Chi Koh (CN)
(**) Term: **15 Years**
(21) Appl. No.: **29/711,662**
(22) Filed: **Nov. 1, 2019**
(51) **LOC (12) Cl.** **14-02**
(52) **U.S. Cl.**
USPC **D14/451**; D14/239
(58) **Field of Classification Search**
USPC D14/448, 432, 217, 496; D8/349, 363

CPC .. A47B 97/001; A47B 81/061; H05K 5/0017;
A63B 2225/685
See application file for complete search history.

8,262,044 B2 * 9/2012 Luijben F16M 11/10
248/276.1
D684,566 S * 6/2013 Sexton D14/239
D691,121 S * 10/2013 Luijben D14/239
(Continued)

FOREIGN PATENT DOCUMENTS

CN 303949423 * 6/2016

OTHER PUBLICATIONS

Sanus Low Profile Tilt TV Wall Mount, first available Mar. 13, 2015, amazon.com, [online], [site visited Sep. 28, 2020]. Available from internet URL: [https://www.amazon.com/dp/B00UNR0OOW/ref=emc_b_5_i\(Year: 2015\).*](https://www.amazon.com/dp/B00UNR0OOW/ref=emc_b_5_i(Year: 2015).*)

(Continued)

Primary Examiner — Samantha Q Lawrence
Assistant Examiner — Holly M Rodriguez
(74) *Attorney, Agent, or Firm* — Fish IP Law, LLP

(57) **CLAIM**

The ornamental design for a TV mount bracket, as shown and described.

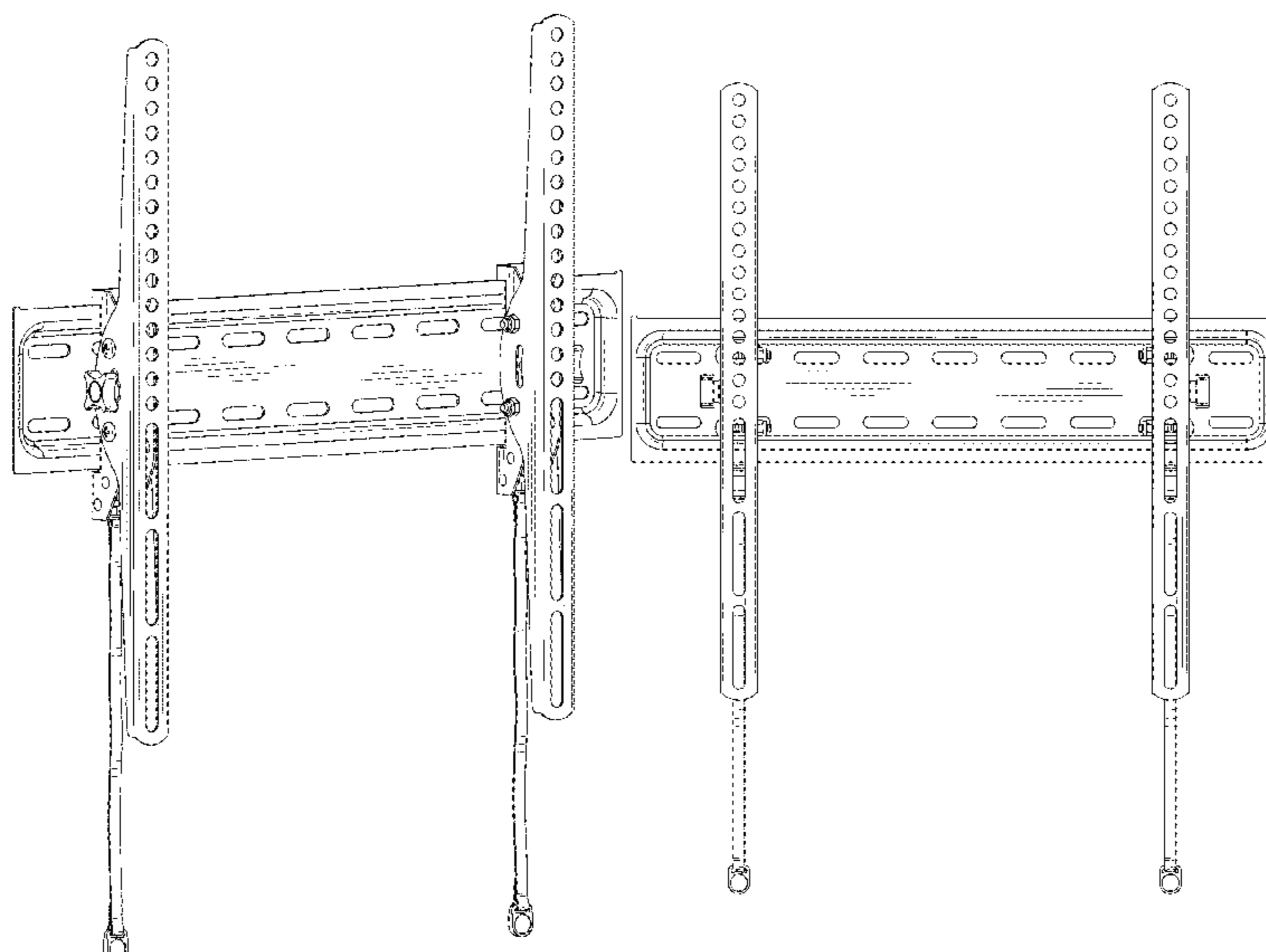
DESCRIPTION

FIG. 1 is a front perspective view of a TV mount bracket showing my new design.
FIG. 2 is a front view thereof.
FIG. 3 is a rear view thereof.
FIG. 4 is a left side view thereof.
FIG. 5 is a right side view thereof.
FIG. 6 is a top side view thereof.
FIG. 7 is a bottom side view thereof.
FIG. 8 is a front perspective view in an alternate position of use.
FIG. 9 is a rear perspective view thereof; and,
FIG. 10 is a front perspective view in another alternate position of use.
The broken lines in figures show portions of the TV mount bracket that form no part of the claimed design.

1 Claim, 9 Drawing Sheets

(56) **References Cited**
U.S. PATENT DOCUMENTS

D493,800 S * 8/2004 Pfister D14/451
D528,901 S * 9/2006 David D8/373
D530,595 S * 10/2006 Lam D8/373
D538,632 S * 3/2007 Ly Hau D8/363
D539,125 S * 3/2007 Ly Hau D8/373
D539,637 S * 4/2007 Ly Hau D8/373
D560,671 S * 1/2008 Muday D14/451
D565,399 S * 4/2008 Grey D8/380
D570,852 S * 6/2008 Muday D14/451
D593,081 S * 5/2009 Grolle D14/239
D594,001 S * 6/2009 Sexton D14/239
D631,875 S * 2/2011 Skull D14/239
D633,505 S * 3/2011 van Alphen D14/451
D643,421 S * 8/2011 Russell D14/239
D659,689 S * 5/2012 Molter D14/239



(56)

References Cited

U.S. PATENT DOCUMENTS

9,829,151 B1 * 11/2017 Stenhouse F16M 13/02
 D836,617 S * 12/2018 Shu D14/239
 D837,225 S * 1/2019 Russell D14/452
 D848,990 S * 5/2019 Pei D14/239
 D852,174 S * 6/2019 Pei D14/239
 D858,493 S * 9/2019 Pei D14/239
 D873,253 S * 1/2020 Ahrens D14/239
 D874,449 S * 2/2020 Ahrens D14/239
 2006/0065806 A1 * 3/2006 Shin F16M 13/02
 248/325
 2006/0231711 A1 * 10/2006 Shin F16M 11/10
 248/291.1
 2007/0023375 A1 * 2/2007 Fedewa A47B 81/061
 211/103
 2007/0041150 A1 * 2/2007 Short F16M 11/10
 361/679.22
 2008/0073471 A1 * 3/2008 Beger F16M 13/02
 248/309.1
 2008/0078907 A1 * 4/2008 Huang F16M 13/02
 248/276.1
 2008/0210837 A1 * 9/2008 Burns F16M 11/10
 248/291.1
 2009/0184221 A1 * 7/2009 Sculler F16M 13/02
 248/221.11
 2009/0200439 A1 * 8/2009 Bremmon F16M 13/02
 248/183.1
 2010/0309615 A1 * 12/2010 Grey F16M 11/24
 361/679.01
 2011/0174939 A1 * 7/2011 Taylor F16M 11/10
 248/201

2012/0002393 A1 * 1/2012 Stanek F16M 11/24
 361/825
 2013/0206943 A1 * 8/2013 Molter F16M 13/02
 248/299.1
 2014/0346297 A1 * 11/2014 Pei F16M 13/022
 248/223.31
 2017/0051870 A1 * 2/2017 Xiang F16M 13/02
 2019/0245259 A1 * 8/2019 Barkan F16M 11/2014

OTHER PUBLICATIONS

Monoprice Stable Series Tilt TV Wall Mount Bracket first available Jul. 14, 2015, amazon.com, [online], [site visited Sep. 28, 2020], Available from internet URL: https://www.amazon.com/Monoprice-Patterns-1000x800-Concrete-Certified/dp/B011K31K9K/ref=sr_1_125?dchild=1&keywords=Tilt+TV+Wall+Mou (Year: 2015).
 SJBRWN Tilt TV Wall Mount Bracket, first available Sep. 5, 2020, amazon.com, [online], [site visited Sep. 28, 2020], Available from internet URL: https://www.amazon.com/SJBRWN-Bracket-Monitor-200x200mm-Capacity/dp/B08FRH2XYQ/ref=sr_1_13?dchild=1&keywords=Tilt+TV+Wall+Mount+%E2%80%A6 (Year: 2020).
 Everstone Adjustable Tilt TV Wall Mount, first available Aug. 30, 2018, amazon.com, [online], [site visited Sep. 28, 2020], Available from internet URL: <https://www.amazon.com/Everstone-Bracket-Plasma-Screen-Profile/dp/B07GYRQVJF> (Year: 2018).
 Onn. Tilting TV Wall Mount for TVs 32" to 47", first available Jun. 9, 2020, walmart.com [online], [site visited Oct. 6, 2020], Available from internet URL: <https://www.walmart.com/ip/onn-Tilting-Tv-Wall-Mount-for-TVs-32-to-47/578218054> (Year: 2020).

* cited by examiner

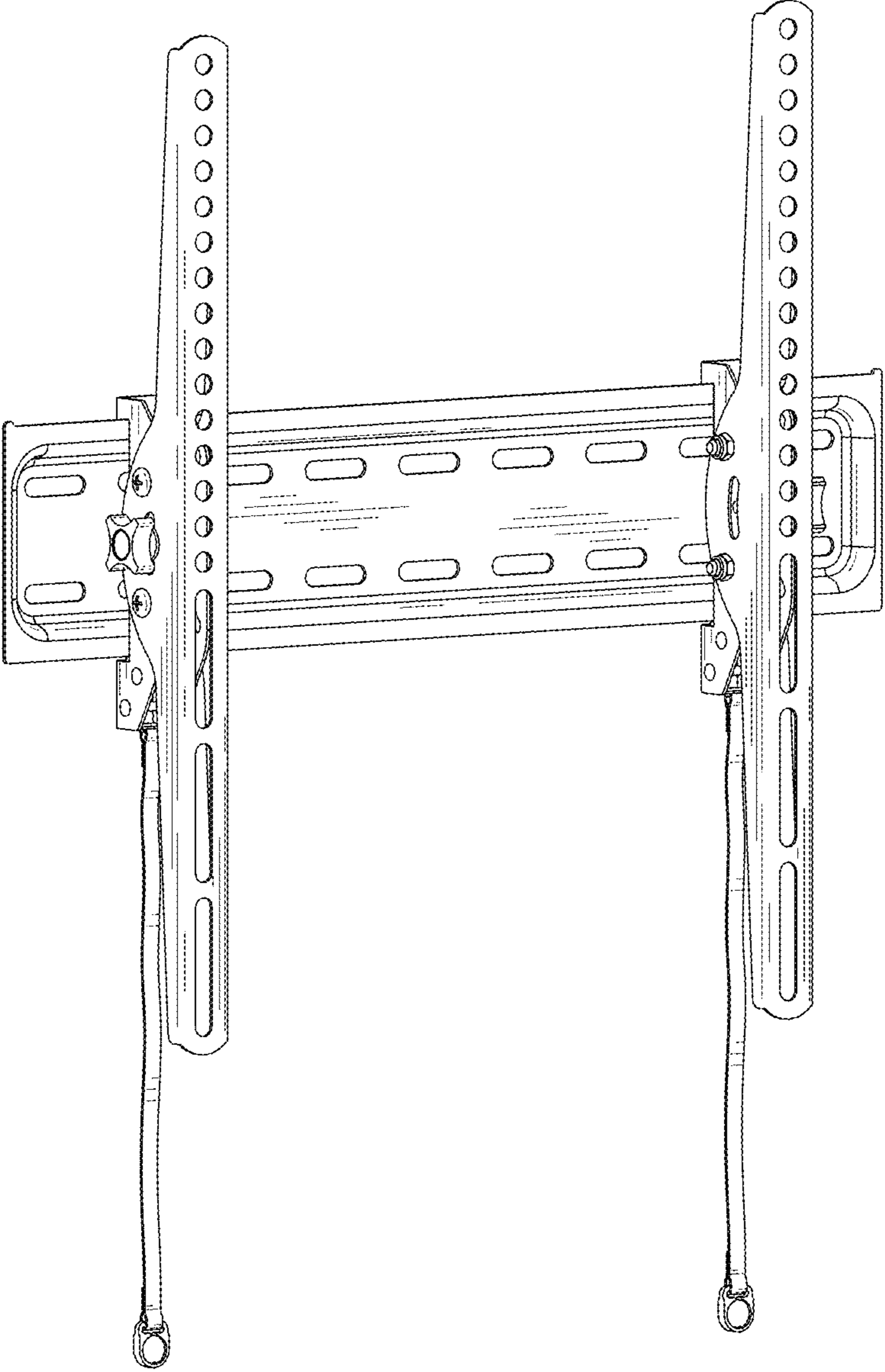


FIG. 1

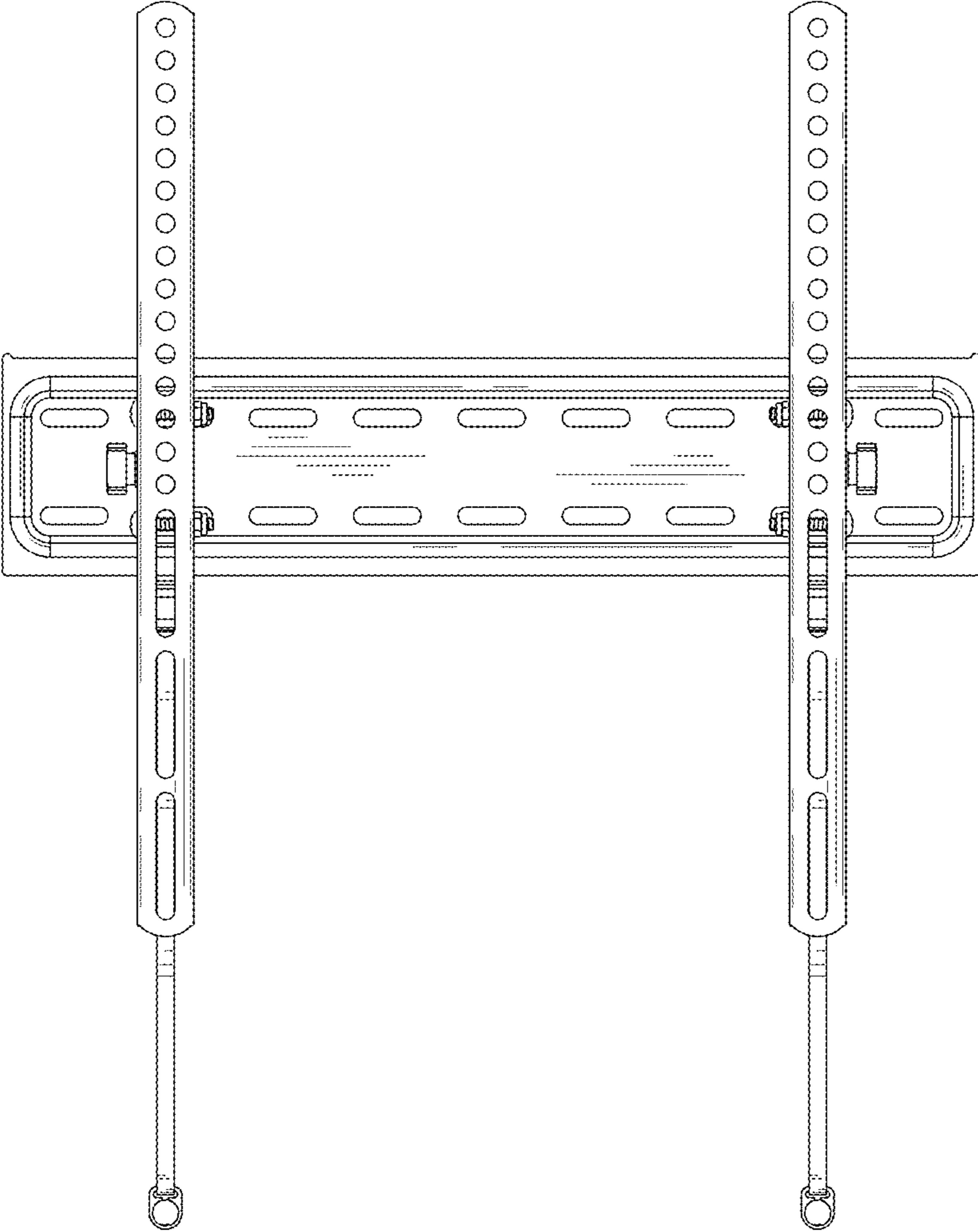


FIG. 2

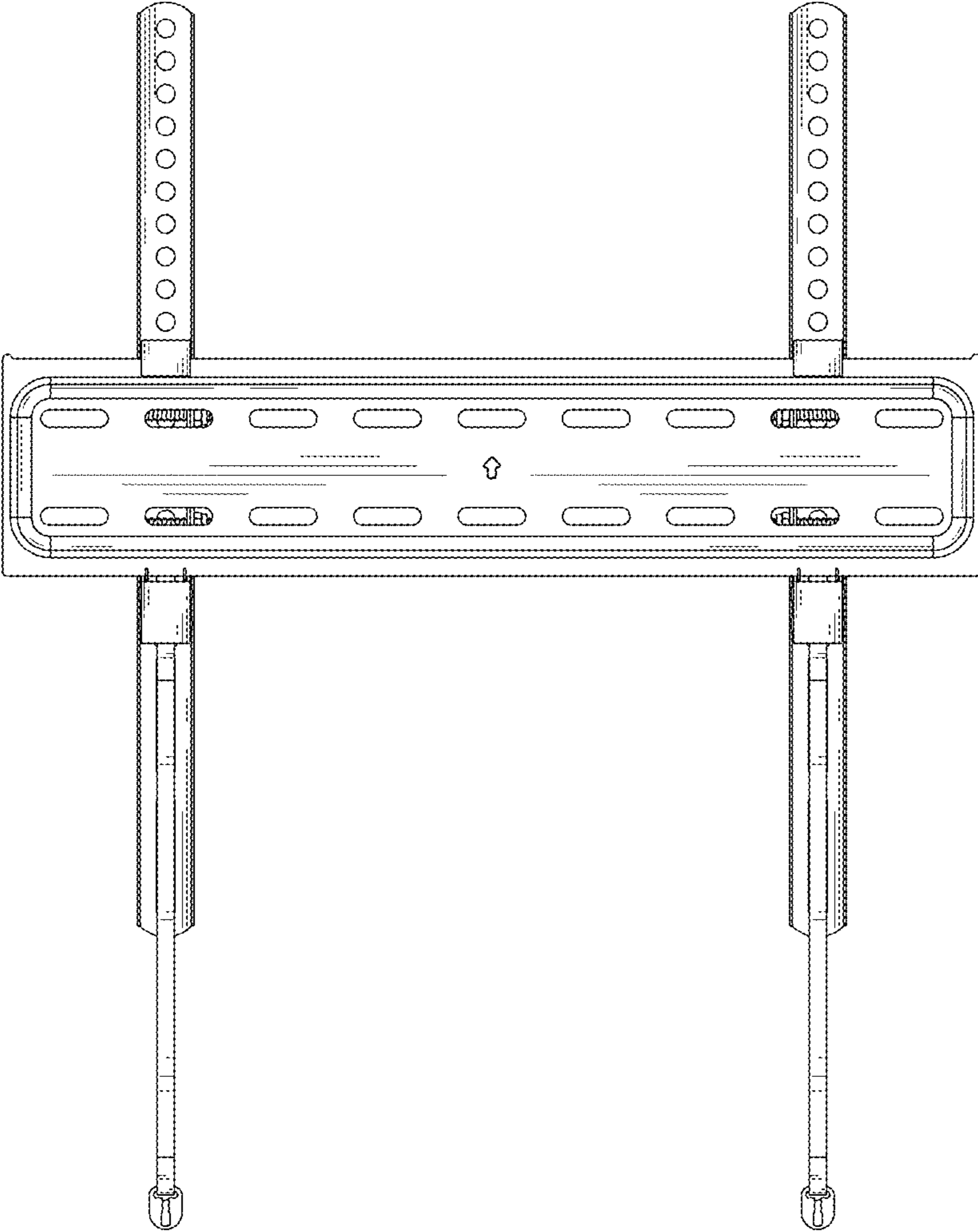


FIG. 3

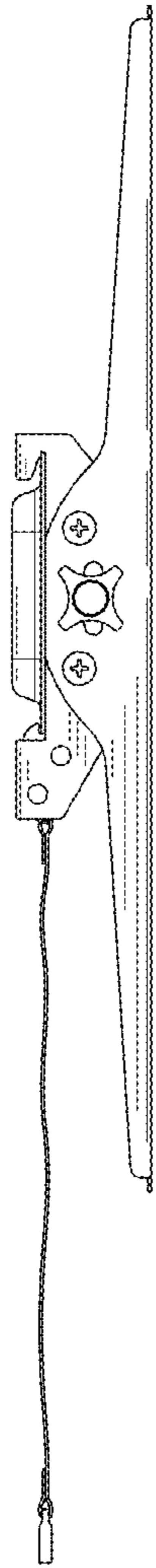


FIG. 4

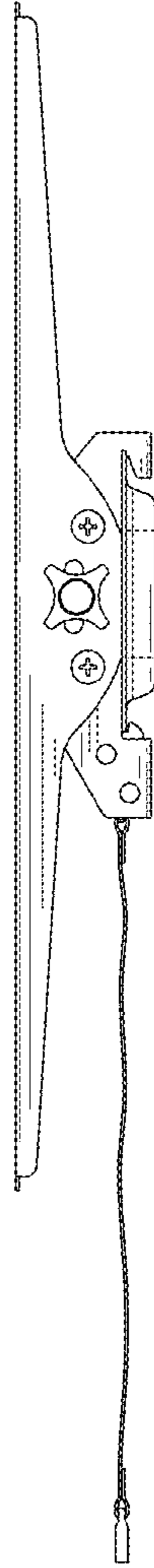


FIG. 5

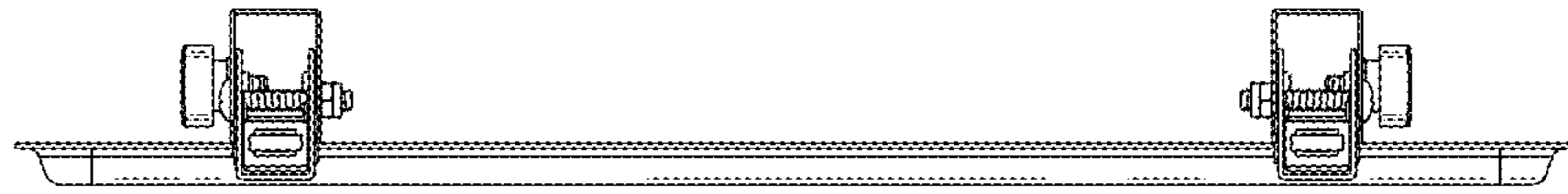


FIG. 6

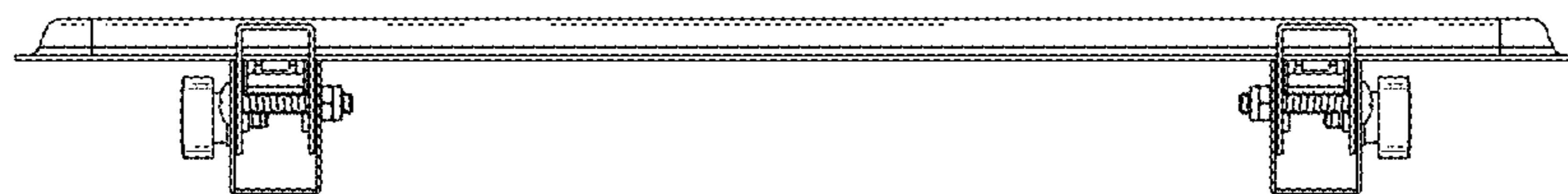


FIG. 7

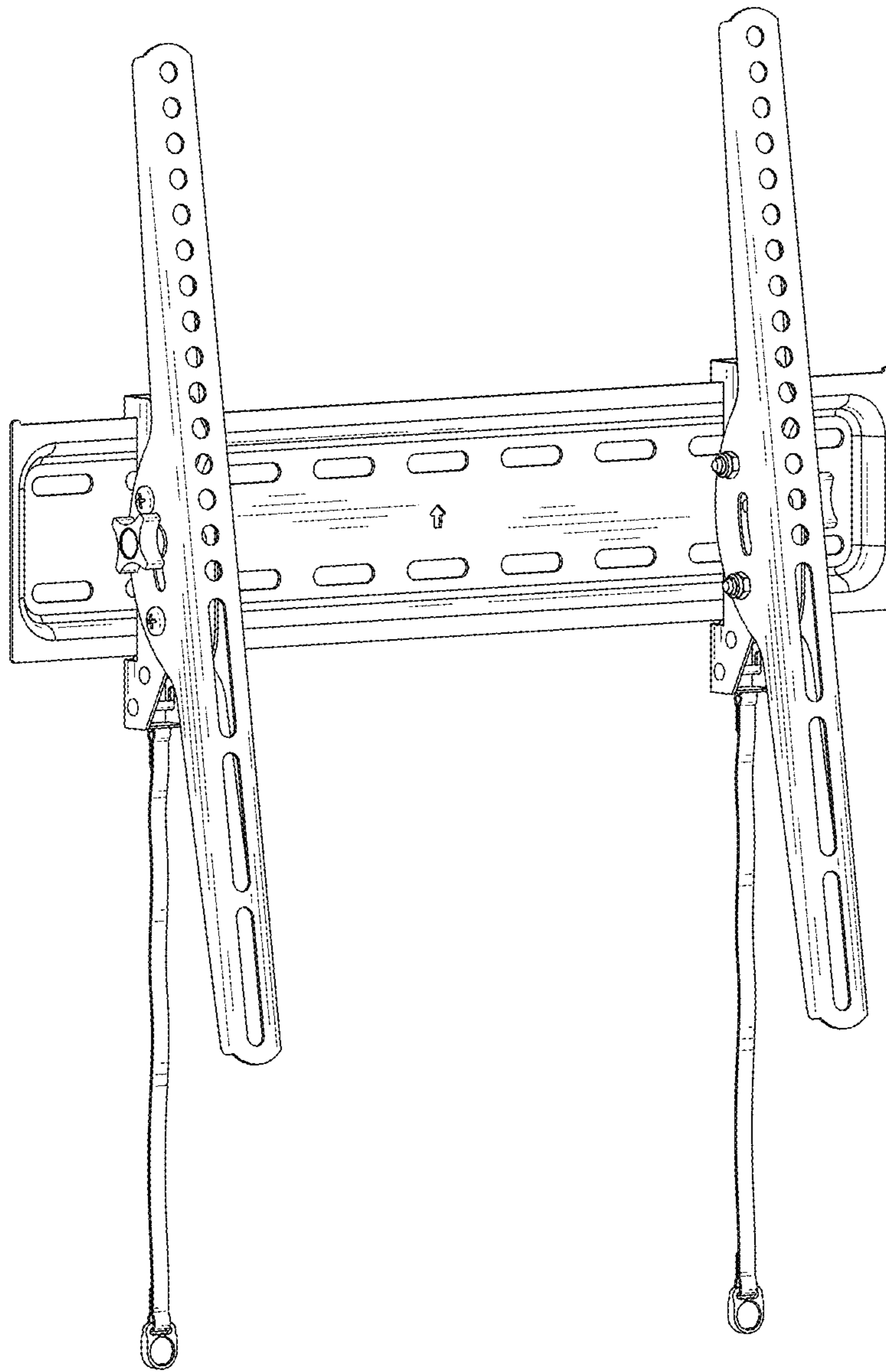


FIG. 8

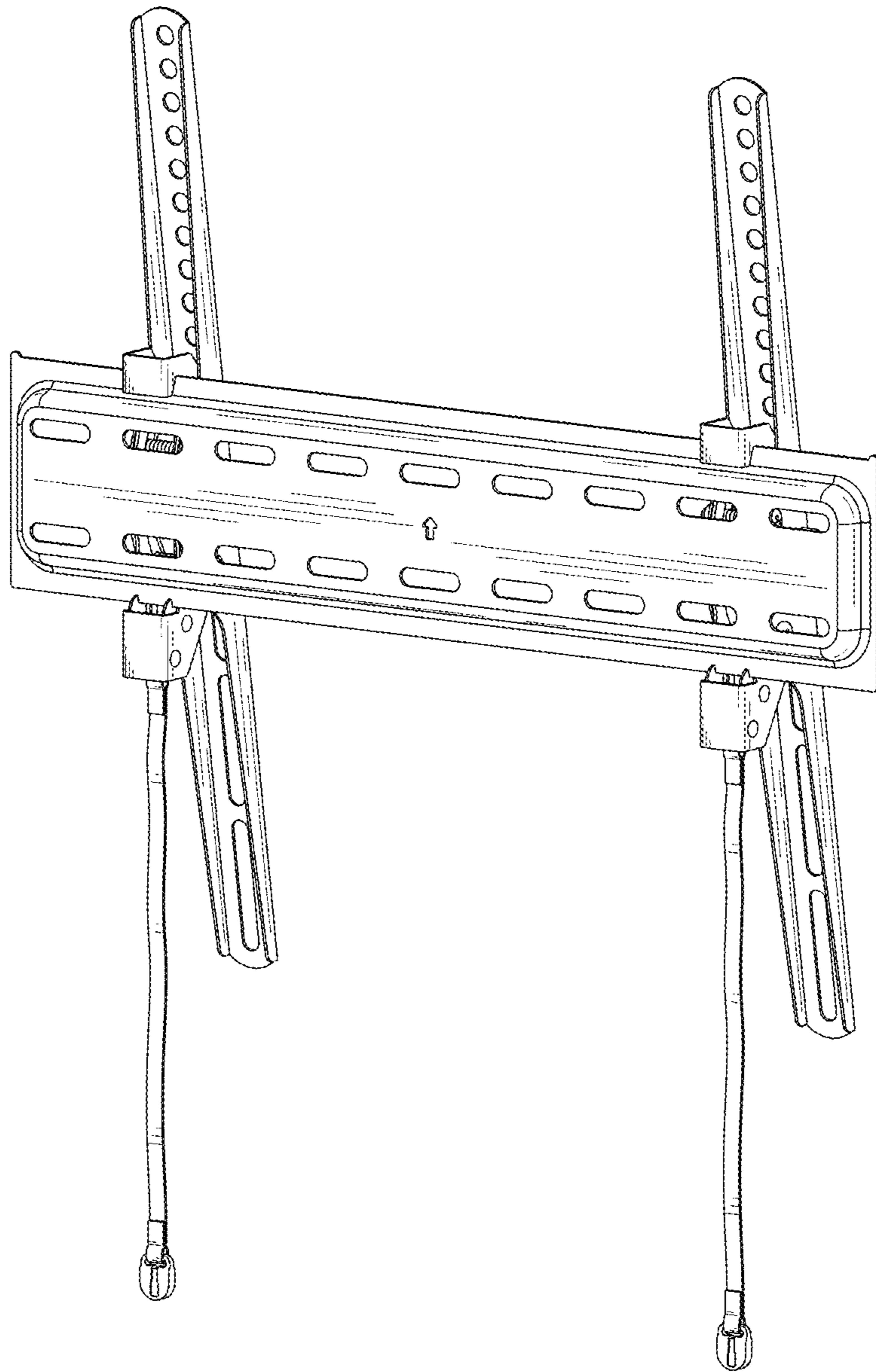


FIG. 9

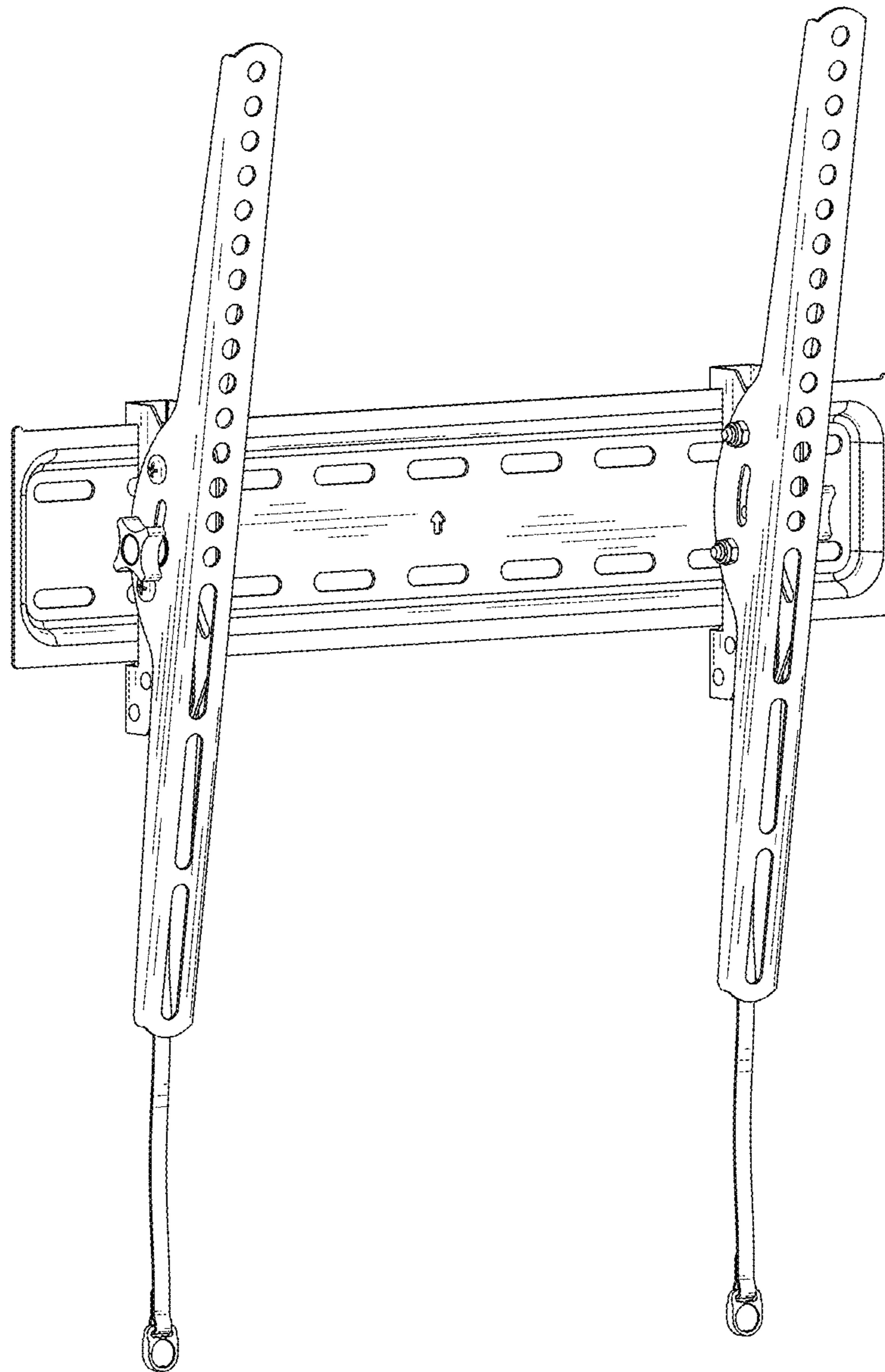


FIG. 10