



US00D905069S

(12) **United States Design Patent**
Wengreen

(10) **Patent No.:** **US D905,069 S**
(45) **Date of Patent:** **** Dec. 15, 2020**

(54) **MOUNT FOR ELECTRONIC DEVICES**

(71) Applicant: **Innovelis, Inc.**, Sammamish, WA (US)

(72) Inventor: **Eric John Wengreen**, Sammamish, WA (US)

(73) Assignee: **Innovelis, Inc.**, Sammamish, WA (US)

(**) Term: **15 Years**

(21) Appl. No.: **29/709,809**

(22) Filed: **Oct. 17, 2019**

Related U.S. Application Data

(63) Continuation-in-part of application No. 29/690,707, filed on May 9, 2019, and a continuation-in-part of application No. 29/690,706, filed on May 9, 2019.

(51) **LOC (12) Cl.** **14-02**

(52) **U.S. Cl.**
USPC **D14/447**

(58) **Field of Classification Search**

USPC D14/447, 434, 432, 439, 440, 451, 452, D14/457, 239; D8/363, 373, 380; D6/406.3, 406.4, 406.5, 406.6; D13/184, D13/199
CPC A47B 21/04; A47B 2097/006; A47B 2097/005; A47B 2023/049; A45C 2011/002; A45C 2011/003; F16M 2200/00; F16M 13/00

See application file for complete search history.

(56) **References Cited**

U.S. PATENT DOCUMENTS

1,306,100 A 6/1919 Chadwick
1,573,239 A 2/1926 Gilliland
1,618,573 A 2/1927 Cole
1,820,323 A 8/1931 Powell
1,874,813 A 8/1932 Saunders
2,397,688 A 4/1946 Osinski

D148,816 S 2/1948 Pemstein
2,438,143 A 3/1948 Brown
2,448,339 A 8/1948 Williams
2,584,646 A 2/1952 Wagstaff
2,633,174 A 3/1953 Poupitch
2,727,552 A 12/1955 Chvesta
2,943,138 A 6/1960 Reager
3,091,378 A 5/1963 O'Dwyer

(Continued)

OTHER PUBLICATIONS

TotalMount Remote Holders, available on Amazon approximately Sep. 17, 2017, downloaded from <https://www.amazon.com/TotalMount-Universal-Remote-Holders-Quantity/dp/B075QPVZ2K>.

(Continued)

Primary Examiner — Keli L Hill

Assistant Examiner — Harold E Blackwell, II

(57) **CLAIM**

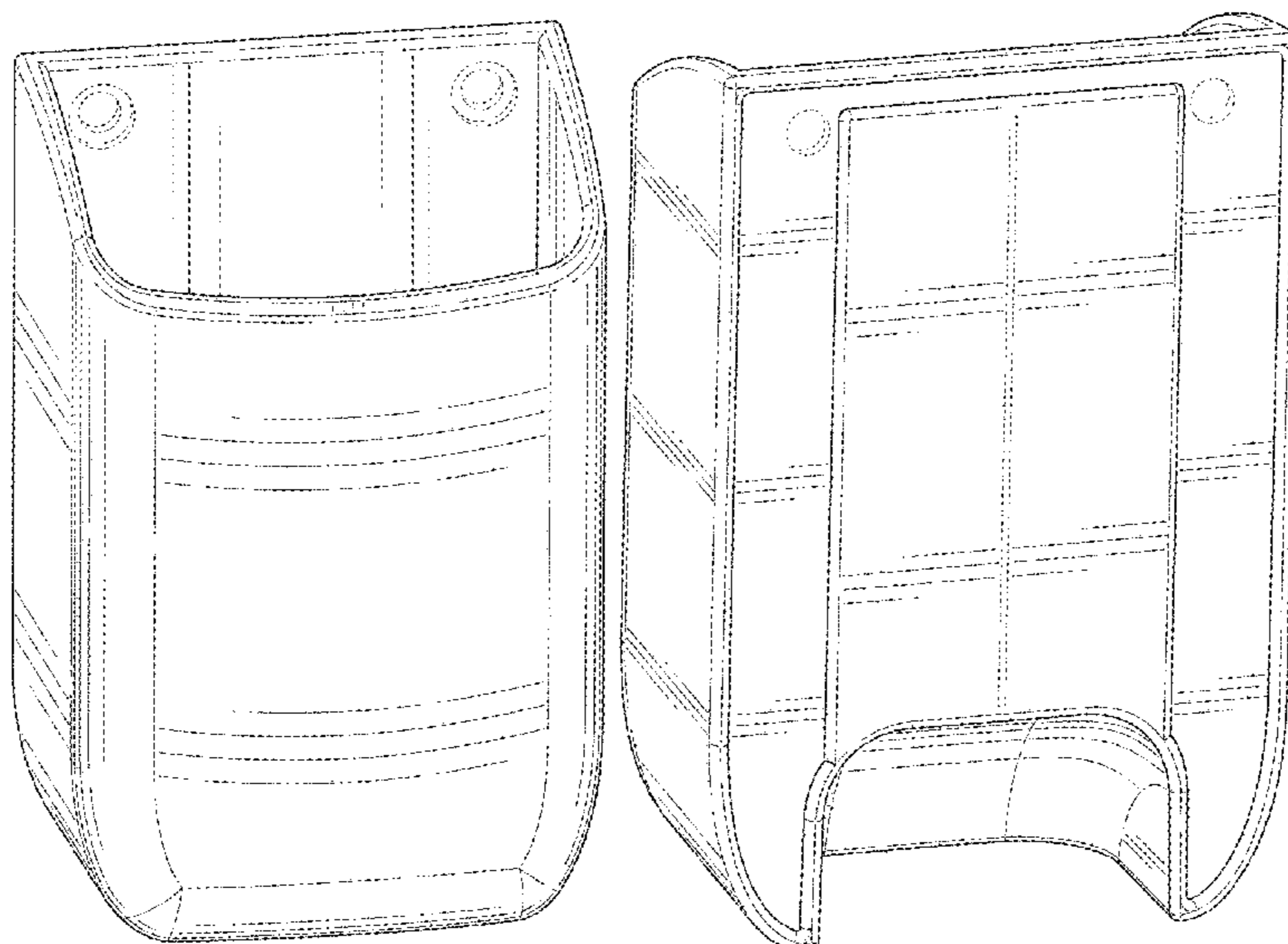
The ornamental design for a mount for electronic devices, as shown and described.

DESCRIPTION

FIG. 1 is a front, first side, and top perspective view of a mount for electronic devices embodying the new design; FIG. 2 is a back, second side, and top perspective view thereof; FIG. 3 is a bottom, first side, and back perspective view thereof; FIG. 4 is a front view thereof; FIG. 5 is a back view thereof; FIG. 6 is a first side view thereof; FIG. 7 is a second side view thereof; FIG. 8 is a top view thereof; and, FIG. 9 is a bottom view thereof.

The broken lines in the drawings illustrate portions of a mount for electronic devices which form no part of the claimed design.

1 Claim, 9 Drawing Sheets



US D905,069 S

(56)

References Cited

U.S. PATENT DOCUMENTS

D196,542 S	10/1963	Zelnick	5,899,371 A	5/1999	Weliver
3,176,950 A	4/1965	Hittesdorf	D411,542 S	6/1999	Richter
3,279,009 A	10/1966	Teasdale	5,914,707 A	6/1999	Kono
3,294,298 A	12/1966	Danielson	5,961,083 A	10/1999	Hartmann
3,477,679 A	11/1969	Lovitz	5,979,724 A	11/1999	Loewenthal
3,689,868 A	9/1972	Snyder	D420,149 S	2/2000	Hersh
3,745,664 A	7/1973	Altseimer	6,039,173 A	3/2000	Crow
3,924,914 A	12/1975	Banner	D425,353 S	5/2000	Foy
3,990,617 A	11/1976	Carter	D426,041 S	5/2000	Boghossian
D242,766 S	12/1976	Neece	6,073,901 A	6/2000	Richter
4,067,532 A	1/1978	Viteretto	6,077,109 A	6/2000	Prazoff
4,139,727 A	2/1979	Kuballa	6,083,016 A	7/2000	Waynick, Sr.
D251,781 S	5/1979	Hutton	6,102,660 A	8/2000	Lee
4,158,450 A	6/1979	Suzuki	6,105,923 A	8/2000	Robertson
D260,879 S	9/1981	Avramovich	D431,250 S	9/2000	Richter
4,410,298 A	10/1983	Kowalski	6,118,662 A	9/2000	Hutchison
4,467,244 A	8/1984	Dickie	6,163,997 A	12/2000	Deralas
4,519,656 A	5/1985	Raz	6,193,546 B1	2/2001	Sadler
D280,466 S	9/1985	Seltzer	D443,493 S	6/2001	Skeem
D282,034 S	1/1986	Janke	6,275,882 B1	8/2001	Cheever
4,562,620 A	1/1986	Oliver, Jr.	6,275,885 B1	8/2001	Chin
4,583,798 A	4/1986	Blazowich	6,336,615 B1	1/2002	Jeon
4,602,761 A	7/1986	Carter	D456,024 S	4/2002	Richter
D287,365 S	12/1986	Judd	D456,413 S	4/2002	Malson
4,679,873 A	7/1987	Brackett, Jr.	6,445,290 B1	9/2002	Fingal
4,697,780 A	10/1987	Wenkman	6,474,995 B1	11/2002	Wu
4,746,042 A	5/1988	King	6,485,144 B1	11/2002	Liao
4,771,927 A	9/1988	Ventura	D471,547 S	3/2003	Ruohonen
4,815,683 A	3/1989	Ferrante	6,554,527 B1	4/2003	O'Donnell
4,825,590 A	5/1989	Cullinane	6,560,983 B1	5/2003	Schimmeyer
4,826,115 A	5/1989	Novitski	D475,995 S	6/2003	Hsieh
4,840,773 A	6/1989	Wade	6,657,868 B1	12/2003	Hsue
D301,976 S	7/1989	Greenhut	6,691,374 B2	2/2004	Coyne
4,852,843 A	8/1989	Chandler	6,884,125 B2	4/2005	Chen
D308,389 S	6/1990	Horn	6,888,940 B1	5/2005	Deppen
4,974,764 A	12/1990	Cantwell	6,912,125 B2	6/2005	Weng
D317,157 S	5/1991	Jondelius	D508,605 S	8/2005	Hwang
5,038,985 A	8/1991	Chapin	6,939,641 B2	9/2005	Kincaid
D323,085 S	1/1992	Konkel	6,983,126 B1	1/2006	Saalman
5,092,395 A	3/1992	Amidzich	D518,704 S	4/2006	Miao
5,144,821 A	9/1992	Ernesti	D521,455 S	5/2006	Radza
5,227,582 A	7/1993	Velasco	7,047,601 B1	5/2006	Vernon-Woods
D339,599 S	9/1993	Tiffen	7,067,737 B2	6/2006	Mallen
5,273,690 A	12/1993	McDowell	D524,756 S	7/2006	Radza
5,297,318 A	3/1994	Adolphson	7,079,384 B2	7/2006	Wang
D351,341 S	10/1994	Hung	7,080,764 B2	7/2006	McNicholas
5,385,282 A	1/1995	Chen	7,113,218 B2	9/2006	Battles
5,400,990 A	3/1995	Frankel	D529,713 S	10/2006	Guyot
D359,288 S	6/1995	Underwood	D529,905 S	10/2006	Richter
D359,616 S	6/1995	Ishibashi	D530,713 S	10/2006	Richter
D361,335 S	8/1995	Rudkiewicz	D530,717 S	10/2006	Mori
D361,462 S	8/1995	Newham	D531,180 S	10/2006	Goto
D362,663 S	9/1995	Nguyen	D533,175 S	12/2006	Richter
D369,465 S	5/1996	Scheid	7,145,603 B2	12/2006	Whitby
5,535,093 A	7/1996	Noguchi	D535,826 S	1/2007	Toghanian
5,555,491 A	9/1996	Tao	D536,239 S	2/2007	Tallman
D375,292 S	11/1996	D'Amato	7,222,762 B2	5/2007	Rees
D376,531 S	12/1996	Polley	D543,838 S	6/2007	Yoshiguchi
D376,585 S	12/1996	Wathen	D545,343 S	6/2007	Braun
D376,787 S	12/1996	Calfee	D547,863 S	7/2007	Heinsch
5,593,124 A	1/1997	Wang	D551,008 S	9/2007	Hidalgo
5,600,870 A	2/1997	Fields	D553,352 S	10/2007	Allen
5,619,395 A	4/1997	McBride	D557,266 S	12/2007	Hughes
5,619,774 A	4/1997	Perry	D560,068 S	1/2008	Dixon
D385,287 S	10/1997	Westcott	D560,411 S	1/2008	Chung
D388,107 S	12/1997	Huckins	D564,529 S	3/2008	Hughes
5,700,150 A	12/1997	Morin	D565,399 S	4/2008	Grey
D390,849 S	2/1998	Richter	D566,590 S	4/2008	Stevens
5,730,342 A	3/1998	Tien	D568,889 S	5/2008	Hughes
5,740,995 A	4/1998	Richter	D569,226 S	5/2008	Brewster
D395,641 S	6/1998	Gaete	7,367,089 B2	5/2008	Cooke
5,850,998 A	12/1998	Parsey	D570,801 S	6/2008	Allen
D407,408 S	3/1999	Hoff	D580,190 S	11/2008	Marsilio
5,882,210 A	3/1999	Embo	D582,486 S	12/2008	Ashida
D409,079 S	5/1999	Sobczynski	D585,882 S	2/2009	Lum
			D586,795 S	2/2009	Richter
			D587,564 S	3/2009	Kodi
			D591,499 S	5/2009	Ross, III
			D592,206 S	5/2009	O'Brien

(56)

References Cited

U.S. PATENT DOCUMENTS

D596,172 S	7/2009	Ahqvist		D710,363 S	8/2014	Wengreen
D597,069 S	7/2009	Wengreen		D710,836 S	8/2014	Wengreen
7,560,642 B2	7/2009	Ygnelzi		D712,394 S	9/2014	Booth
D598,945 S	8/2009	Gillespie		D712,906 S	9/2014	Wengreen
7,580,255 B2	8/2009	Crooijmans		D713,395 S	9/2014	Godycki
D601,000 S	9/2009	Cole		D713,398 S	9/2014	Alesi
D606,348 S *	12/2009	White	D6/553	D713,399 S	9/2014	Green
D609,030 S	2/2010	Barabas		D713,849 S	9/2014	Kirwer
D610,579 S	2/2010	Behar		8,844,888 B1	9/2014	Gretz
D614,427 S *	4/2010	Nejad	D6/553	8,847,549 B2	9/2014	Graham
D619,879 S	7/2010	McCarthy		8,848,113 B2	9/2014	Wengreen
D624,949 S	10/2010	Nakayama		D714,793 S	10/2014	Kim
D625,729 S	10/2010	McNames		D716,580 S	11/2014	Wengreen
D628,611 S	12/2010	Lewis		D717,307 S	11/2014	Chun
D629,366 S	12/2010	Ericson		D717,804 S	11/2014	Budge
7,854,420 B2	12/2010	Depay		8,896,768 B1	11/2014	Wengreen
D633,503 S	3/2011	Bo		D719,961 S	12/2014	Xiang
7,925,230 B2	4/2011	Ruckriem		8,934,060 B1	1/2015	Wengreen
7,925,320 B2	4/2011	Pemble		8,934,061 B1	1/2015	Wengreen
D639,092 S	6/2011	Lundy		8,939,417 B1	1/2015	Wengreen
D639,301 S	6/2011	Anderson		D723,042 S	2/2015	Lee
D640,199 S	6/2011	Wilson		D724,598 S	3/2015	Gelsomini
7,959,121 B1	6/2011	Barnes		8,988,616 B2	3/2015	Wengreen
7,980,435 B2	7/2011	Tages		9,019,698 B2	4/2015	Thiers
D643,659 S	8/2011	Choi		D729,544 S	5/2015	Wengreen
D646,315 S	10/2011	Orf		D729,618 S	5/2015	Bastien
8,041,029 B2	10/2011	Wieggers		D732,939 S	6/2015	Cannaverde
D648,707 S	11/2011	Akana		D733,105 S	6/2015	Wengreen
D648,727 S	11/2011	Van Den Nieuwenhuizen		D733,539 S	7/2015	Wu
D651,068 S	12/2011	Kang		D733,542 S	7/2015	Cannaverde
D654,077 S	2/2012	Radin		D733,691 S	7/2015	Wengreen
D656,932 S	4/2012	Wikel		D733,691 S	7/2015	Wengreen
D657,362 S	4/2012	Lister		D734,305 S	7/2015	Wengreen
D671,820 S	4/2012	Henderson		D735,174 S	7/2015	Wengreen
D660,306 S	5/2012	Voorhees		D736,071 S	8/2015	Wu
D662,491 S	6/2012	Andre		D736,848 S	8/2015	Kim
D665,006 S	8/2012	Green		D739,407 S	9/2015	Son
D667,249 S	9/2012	London		D739,410 S	9/2015	Chun
D667,411 S	9/2012	Kim		9,131,195 B2	9/2015	Wengreen
8,261,954 B2	9/2012	Lee		D740,872 S	10/2015	Wada
D669,890 S	10/2012	Hopkins		D741,146 S	10/2015	Delrue
D670,704 S	11/2012	Barker		D742,387 S	11/2015	Xiang
8,303,357 B2	11/2012	Kuwahara		9,185,953 B2	11/2015	Whitten
D671,950 S	12/2012	Richler		D746,599 S	1/2016	Olson
D672,308 S	12/2012	Cobbett		D748,099 S	1/2016	Heid
8,322,584 B2	12/2012	Dethmers		D748,615 S	2/2016	Lee
D675,208 S	1/2013	Petrack		D749,549 S	2/2016	Wengreen
D680,540 S	4/2013	Lee		D749,597 S	2/2016	Wengreen
8,428,289 B2	4/2013	Wengreen		D749,666 S	2/2016	Ahdoot
D684,979 S	6/2013	Chun		D750,633 S	3/2016	Minn
8,472,660 B2	6/2013	Wengreen		D751,563 S	3/2016	Wengreen
D685,798 S	7/2013	Weiss		D752,415 S	3/2016	Lu
D685,804 S	7/2013	Richter		D754,776 S	4/2016	Bellows
D686,629 S	7/2013	Trinh		D767,556 S	4/2016	Lee
D688,253 S	8/2013	Cho		D757,521 S	5/2016	Rosner
D690,707 S	10/2013	Minn		9,339,112 B2	5/2016	Wengreen
D691,988 S	10/2013	Warner		D759,005 S	6/2016	Murakami
D692,013 S	10/2013	Crysell		D759,018 S	6/2016	Subramaniam
8,544,805 B2	10/2013	Virgin		D761,236 S	7/2016	Wengreen
D694,228 S	11/2013	Richter		D763,666 S	8/2016	Wengreen
D695,298 S	12/2013	Han		D763,835 S	8/2016	Wengreen
D695,748 S	12/2013	Morris		D765,063 S	8/2016	Wengreen
D696,259 S	12/2013	Howarth		D765,064 S	8/2016	Wengreen
D696,672 S	12/2013	Brittain		D765,646 S	9/2016	Deng
D697,515 S	1/2014	Adelman		D765,651 S	9/2016	Liu
D697,919 S	1/2014	Gelsomini		D767,377 S	9/2016	Sekula
8,627,990 B2	1/2014	Nakajima		D767,973 S	10/2016	Dedios-Shirley
D700,832 S	3/2014	Ng		D770,171 S	11/2016	Lai
8,668,179 B2	3/2014	Corn		D771,760 S	11/2016	Riddiford
D703,657 S	4/2014	Camevali		D772,217 S	11/2016	Alesi
D705,229 S	5/2014	Wengreen		D773,325 S	12/2016	Browning
D707,684 S	6/2014	Hill		D773,465 S	12/2016	Palmer
8,757,461 B2	6/2014	Zanetti		D777,167 S	1/2017	Wengreen
D709,065 S	7/2014	Guyot		9,543,082 B1	1/2017	Wengreen
D710,340 S	8/2014	Wengreen		D778,105 S	2/2017	Coffey, Jr.
				D778,714 S	2/2017	McSweyn
				D779,466 S	2/2017	Wengreen
				9,578,960 B1	2/2017	Wu
				D780,762 S	3/2017	Ju
				D784,438 S	4/2017	Rondinelli

(56)

References Cited

U.S. PATENT DOCUMENTS

D784,978 S 4/2017 Hobbs
 D785,072 S 4/2017 Taylor
 D791,215 S 7/2017 Schmidt
 D795,820 S 8/2017 Wengreen
 9,735,558 B1 8/2017 Gretz
 D797,546 S 9/2017 Saideh
 D797,750 S 9/2017 Wengreen
 D798,305 S 9/2017 Wengreen
 D798,306 S 9/2017 Wengreen
 D798,358 S 9/2017 Holbrook
 D798,828 S 10/2017 Maloney
 D800,700 S 10/2017 Bergman
 D800,824 S 10/2017 Jacob
 D801,413 S 10/2017 Martin
 D801,414 S 10/2017 Martin
 D803,030 S 11/2017 Wengreen
 D804,289 S 12/2017 Wengreen
 D804,487 S 12/2017 Theis
 D805,076 S 12/2017 Hong
 D806,521 S 1/2018 Wengreen
 D808,367 S 1/2018 Wengreen
 9,861,580 B2 1/2018 Mueting et al.
 D812,064 S 3/2018 Wengreen
 D812,458 S 3/2018 Goto
 D813,241 S 3/2018 Wengreen
 D823,841 S 7/2018 Marini
 D824,399 S 7/2018 Wengreen
 10,021,468 B2 7/2018 Wengreen
 10,036,937 B1 7/2018 Wengreen
 D824,851 S 8/2018 Antonetti
 D825,576 S 8/2018 Krupa
 D825,642 S 8/2018 Maiwald
 D825,643 S 8/2018 Wengreen
 D832,274 S 10/2018 Wengreen
 D832,276 S 10/2018 Miles
 10,117,344 B2 10/2018 Wengreen
 D832,858 S 11/2018 Wengreen
 D834,029 S 11/2018 Wengreen
 D834,583 S 11/2018 Janzen
 D838,711 S 1/2019 Ingram
 D841,076 S 2/2019 Wengreen
 D841,630 S 2/2019 Mecchella
 10,199,782 B1 2/2019 Wengreen
 D845,310 S 4/2019 Wengreen
 D845,959 S 4/2019 Wengreen
 D846,624 S 4/2019 Balmer

D849,687 S 5/2019 Dai
 D877,137 S * 3/2020 Engerman D14/253
 D883,755 S * 5/2020 Nicholson D7/637
 2003/0205651 A1 11/2003 Richter
 2005/0023419 A1 2/2005 Frankel
 2005/0211861 A1 9/2005 Lee
 2005/0236541 A1 10/2005 Chang
 2006/0224575 A1 10/2006 Ostojic
 2007/0097617 A1 5/2007 Searby
 2007/0235609 A1 10/2007 Chun
 2007/0264169 A1 11/2007 Chen
 2008/0078793 A1 4/2008 Brown
 2008/0142499 A1 6/2008 Byrne
 2009/0218454 A1 9/2009 Stanley
 2009/0296997 A1 12/2009 Rocheford
 2010/0270190 A1 10/2010 Howard
 2010/0281671 A1 11/2010 De Vaan
 2010/0288895 A1 11/2010 Shamie
 2010/0314277 A1 12/2010 Murray
 2011/0242439 A1 10/2011 Calderon
 2011/0278885 A1 11/2011 Proctor
 2012/0126081 A1 5/2012 Wengreen
 2012/0127379 A1 5/2012 Wengreen
 2012/0168516 A1 7/2012 Bolger
 2012/0280014 A1 11/2012 Lopez-Apodaca
 2012/0305868 A1 12/2012 Callahan
 2012/0312950 A1 12/2012 Sears
 2014/0061406 A1 3/2014 Chevalier
 2014/0103179 A1 4/2014 Lipke
 2014/0241705 A1 8/2014 Wengreen
 2015/0070835 A1 3/2015 McLean
 2015/0212544 A1 7/2015 Chen
 2015/0305502 A1 10/2015 Wengreen
 2016/0007735 A1 1/2016 Gallup
 2016/0119458 A1 4/2016 Gunther
 2016/0120295 A1 5/2016 Rowley
 2016/0218535 A1 7/2016 Prete
 2016/0234955 A1 8/2016 Wengreen
 2016/0241289 A1 8/2016 Wiefh
 2017/0150620 A1 5/2017 Wengreen
 2017/0208945 A1 7/2017 Wengreen

OTHER PUBLICATIONS

TotalMount Remote Holders, available on Amazon approximately Sep. 17, 2017, downloaded from <https://www.amazon.com/TotalMount-Universal-Remote-Holders-Quantity/dp/B075QQ6HHK>.

* cited by examiner

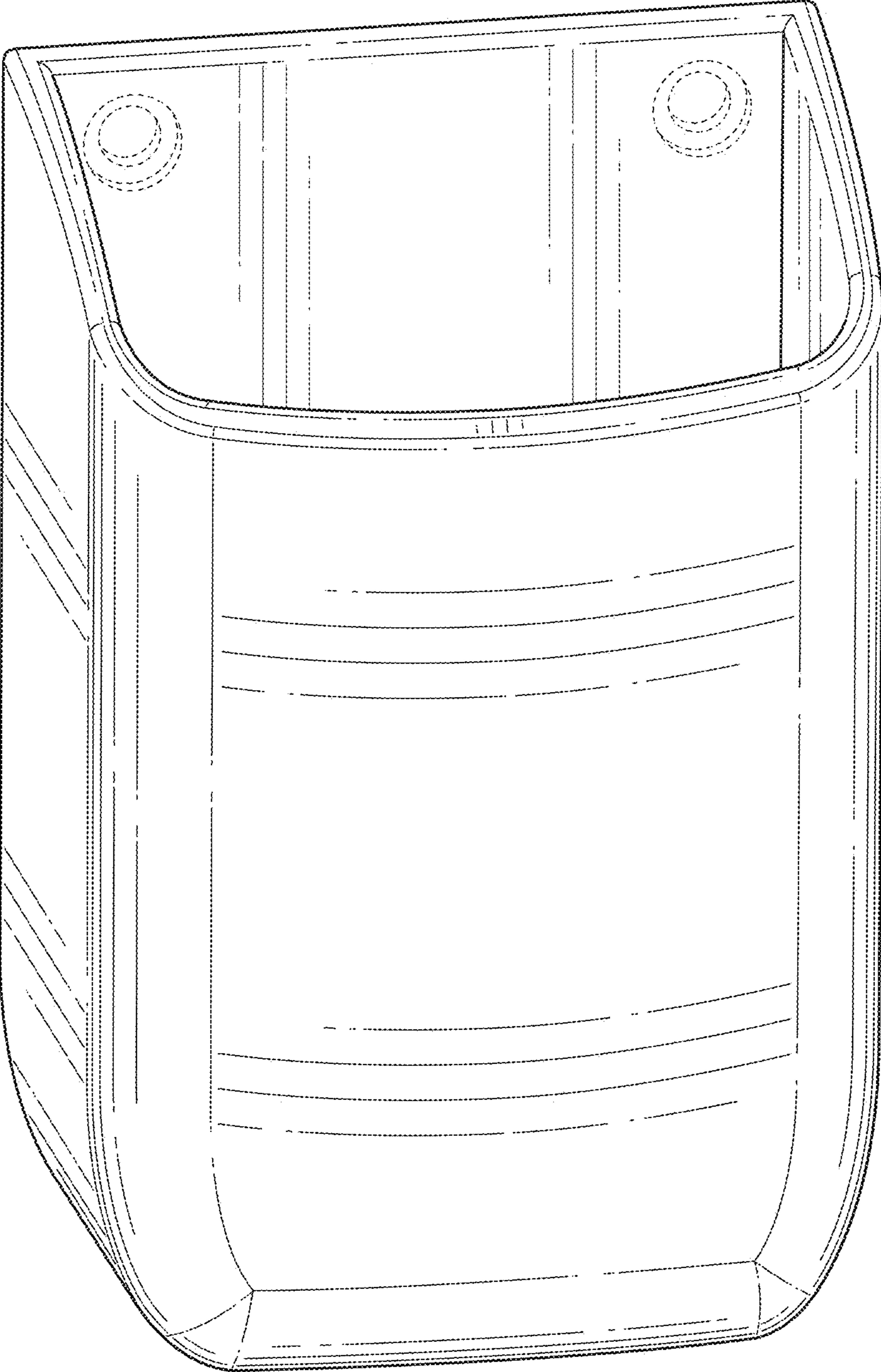


FIG. 1

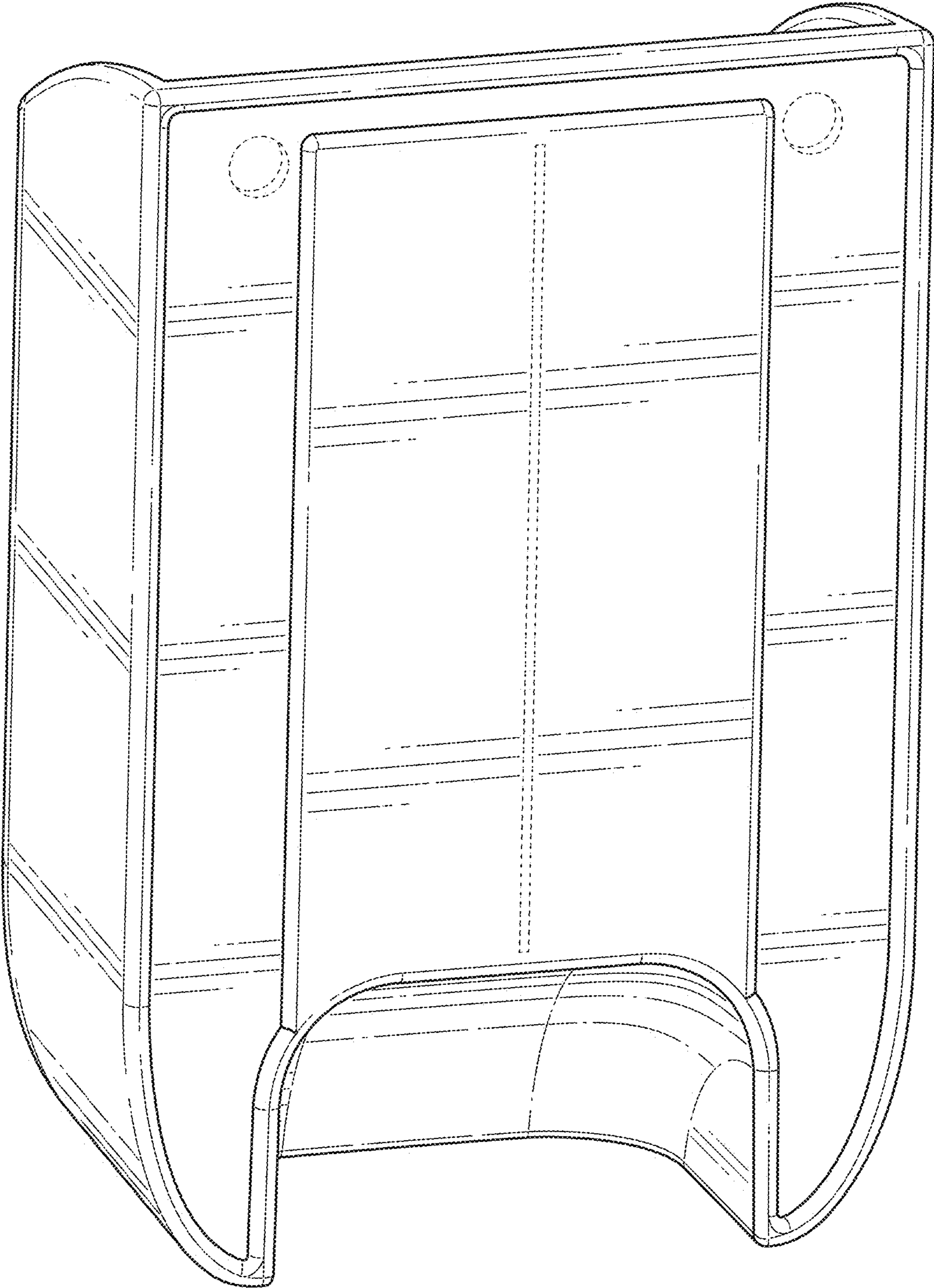


FIG. 2

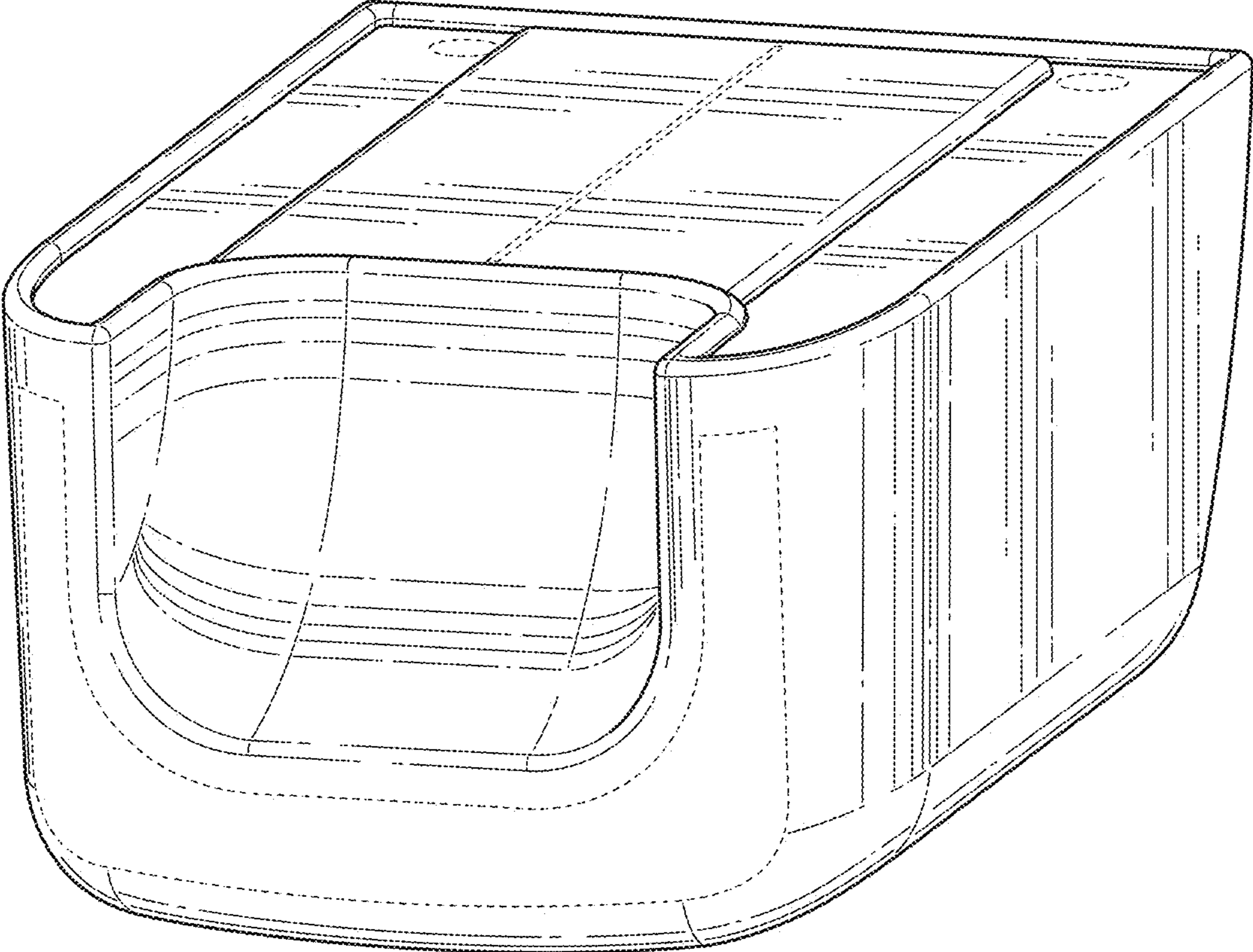


FIG. 3

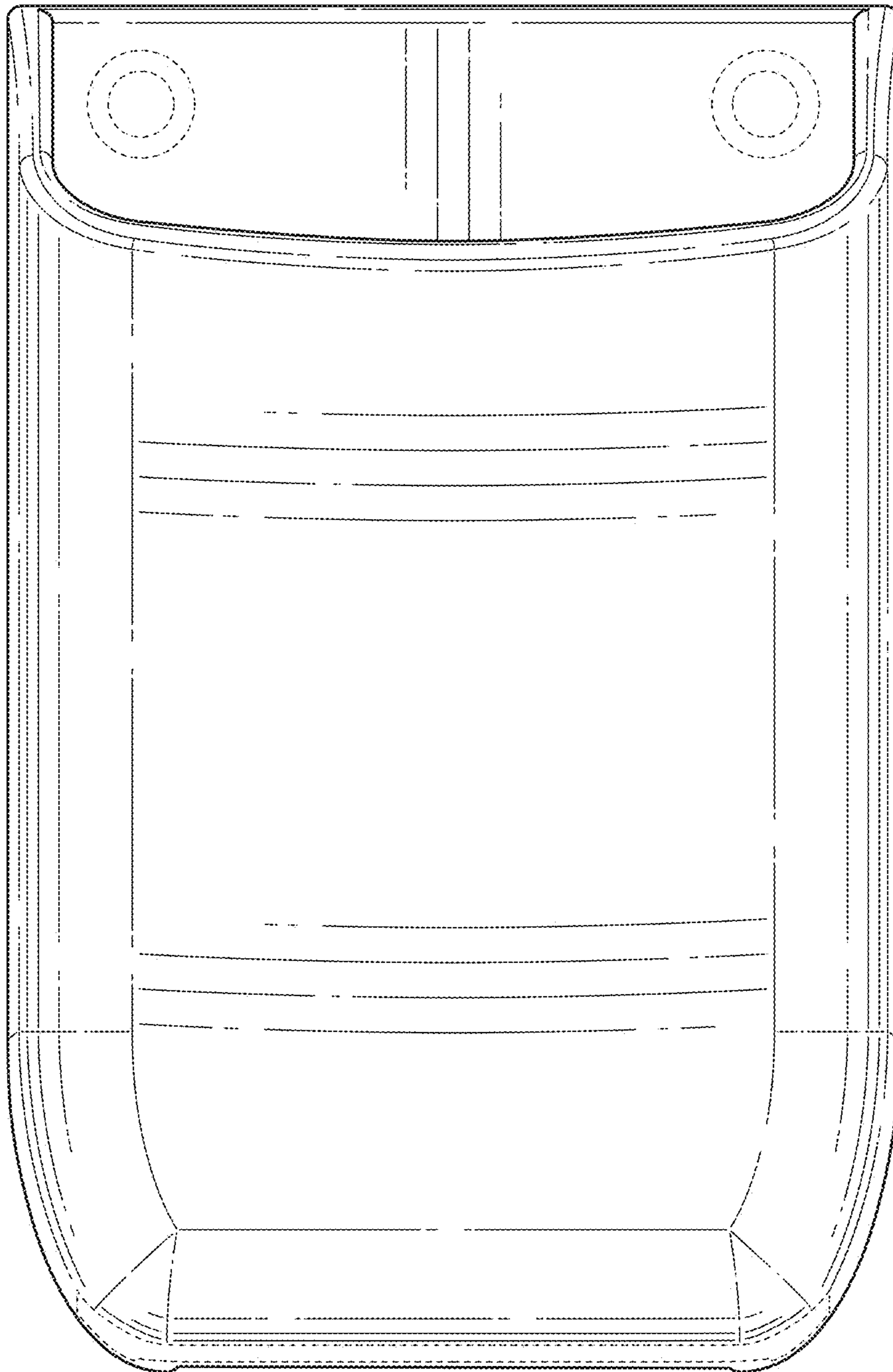


FIG. 4

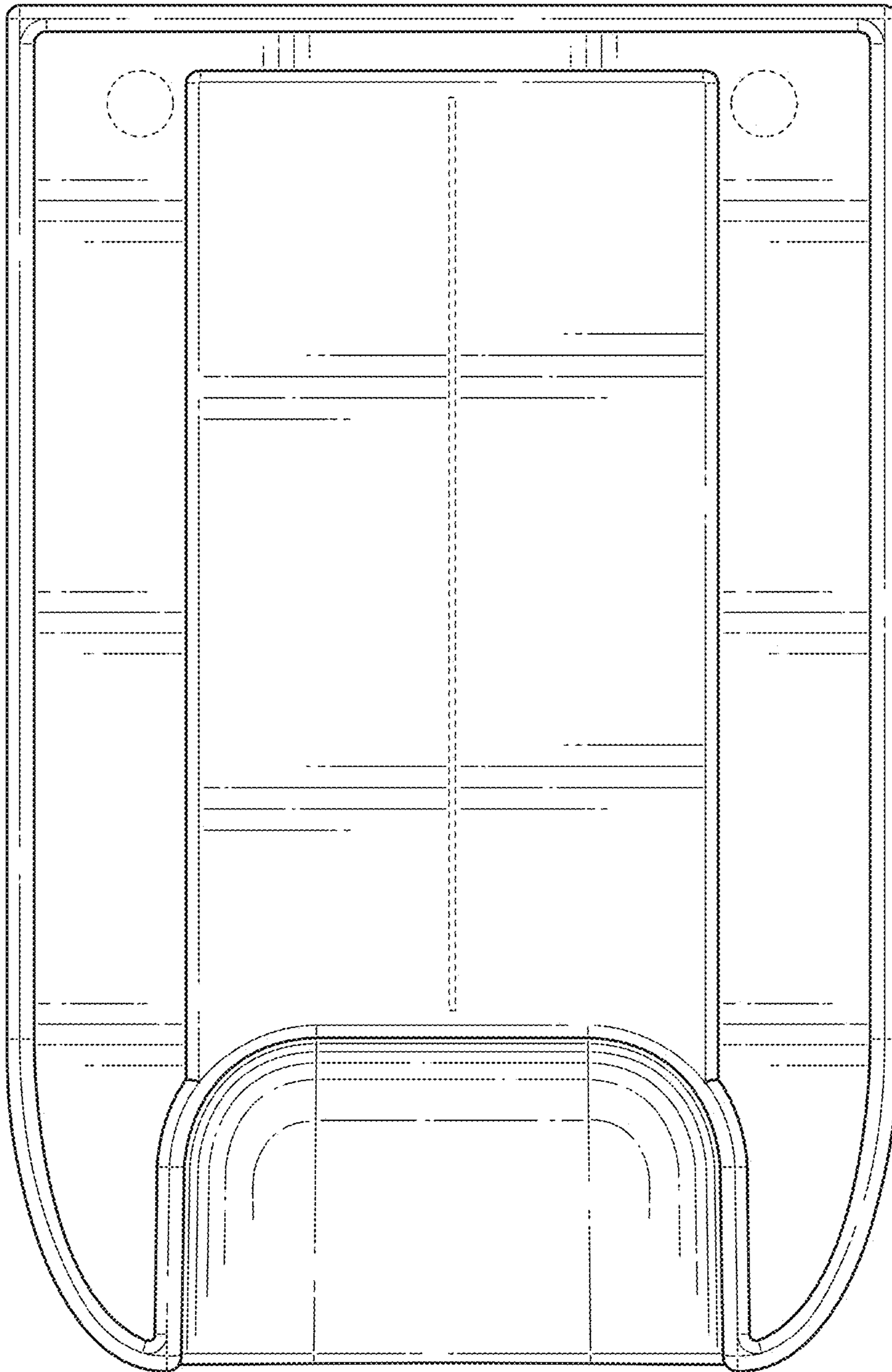


FIG. 5

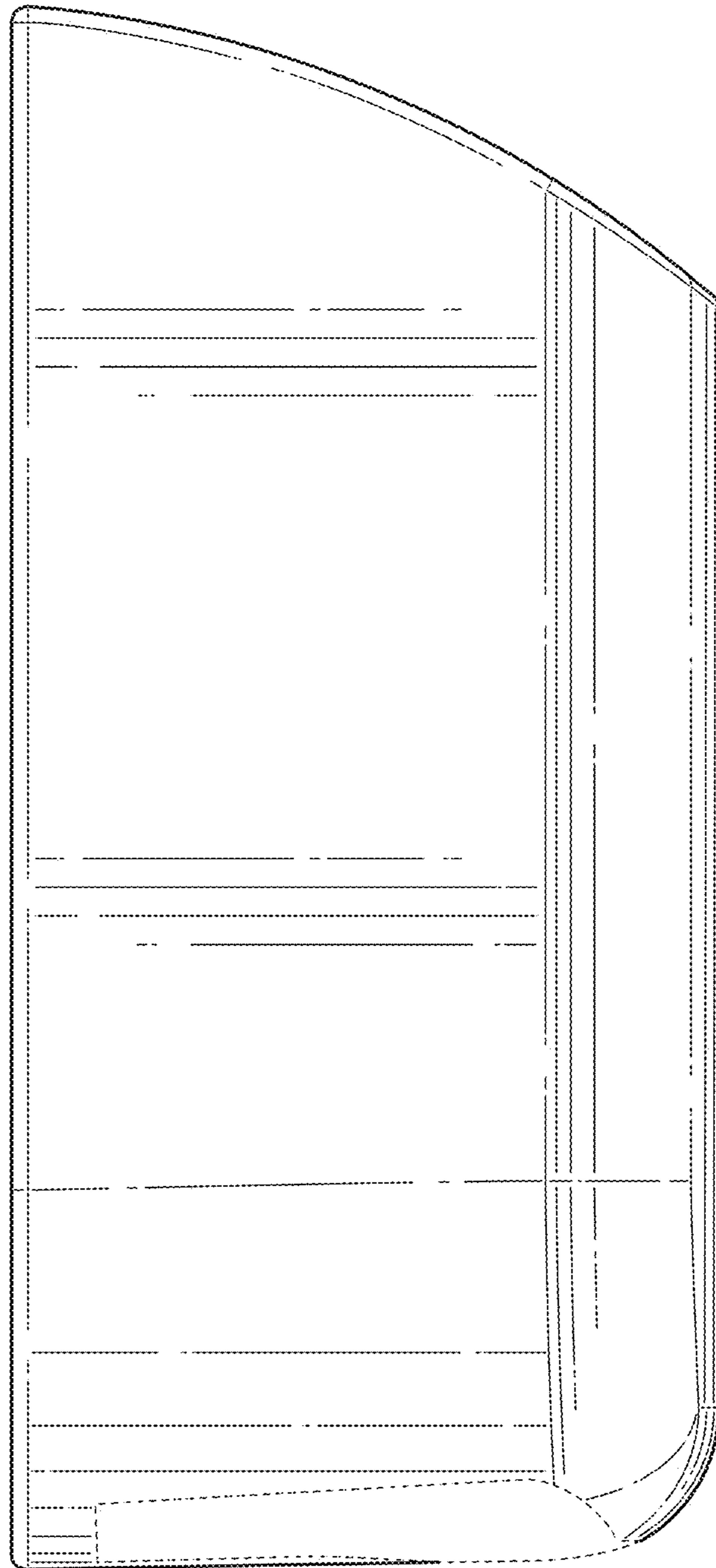


FIG. 6

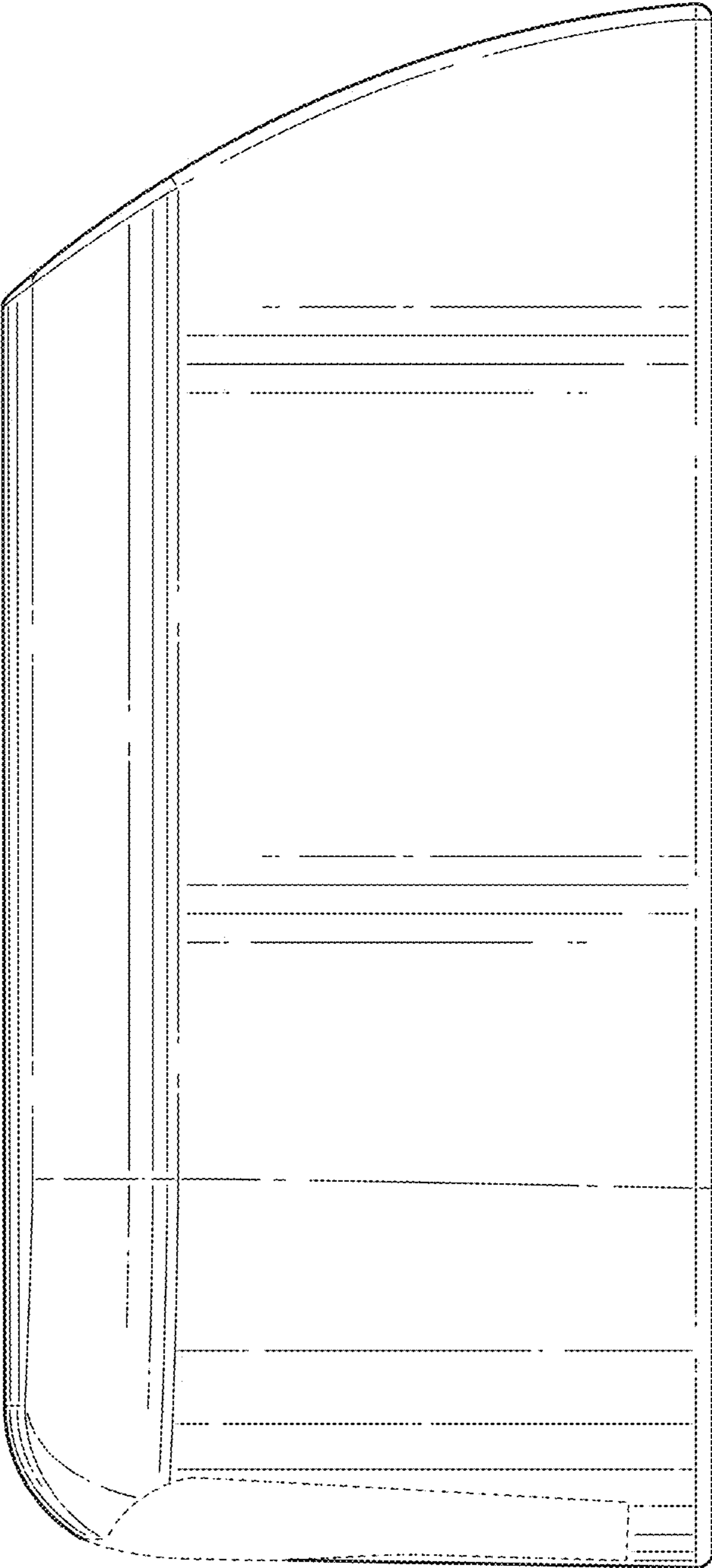


FIG. 7

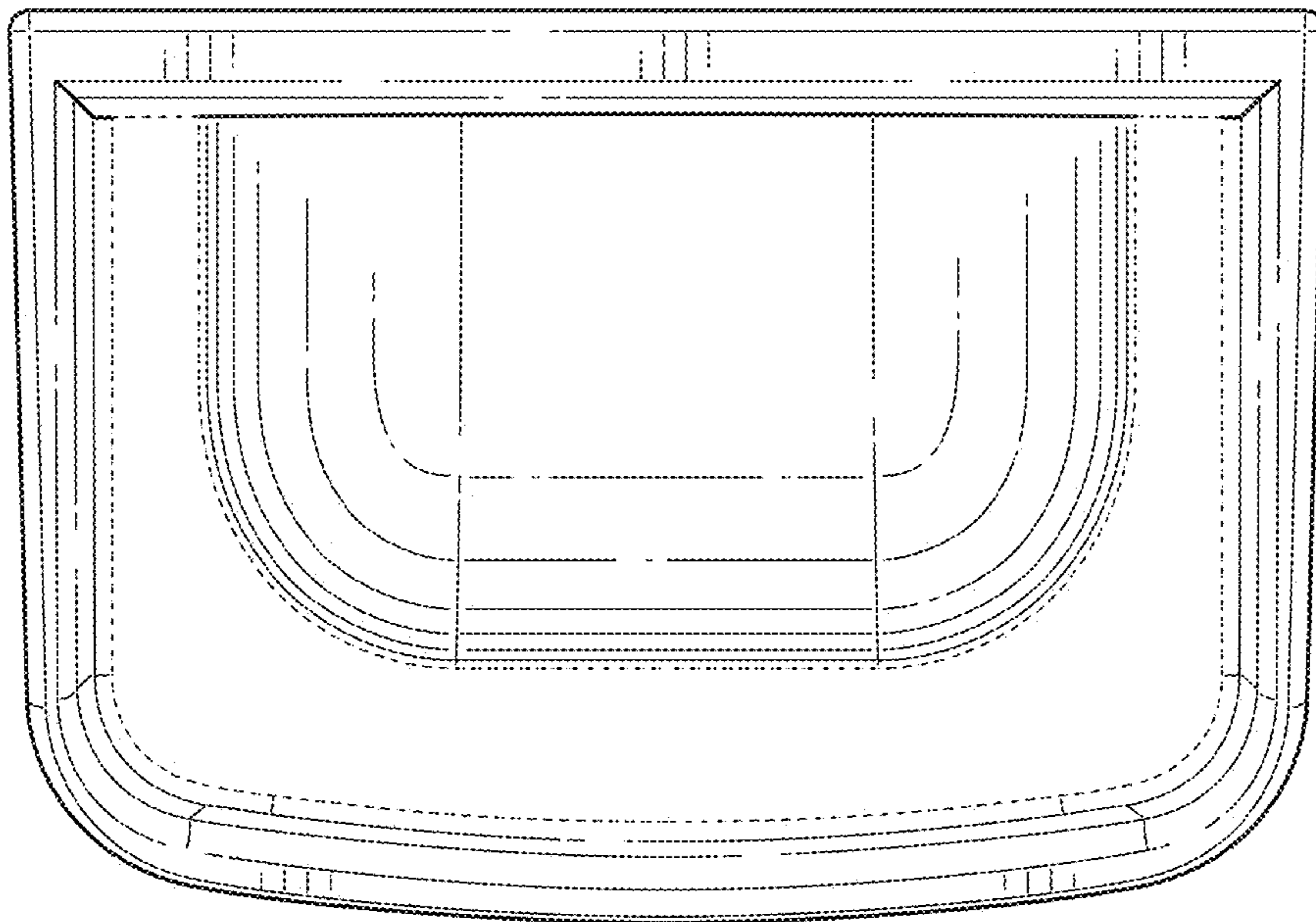


FIG. 8

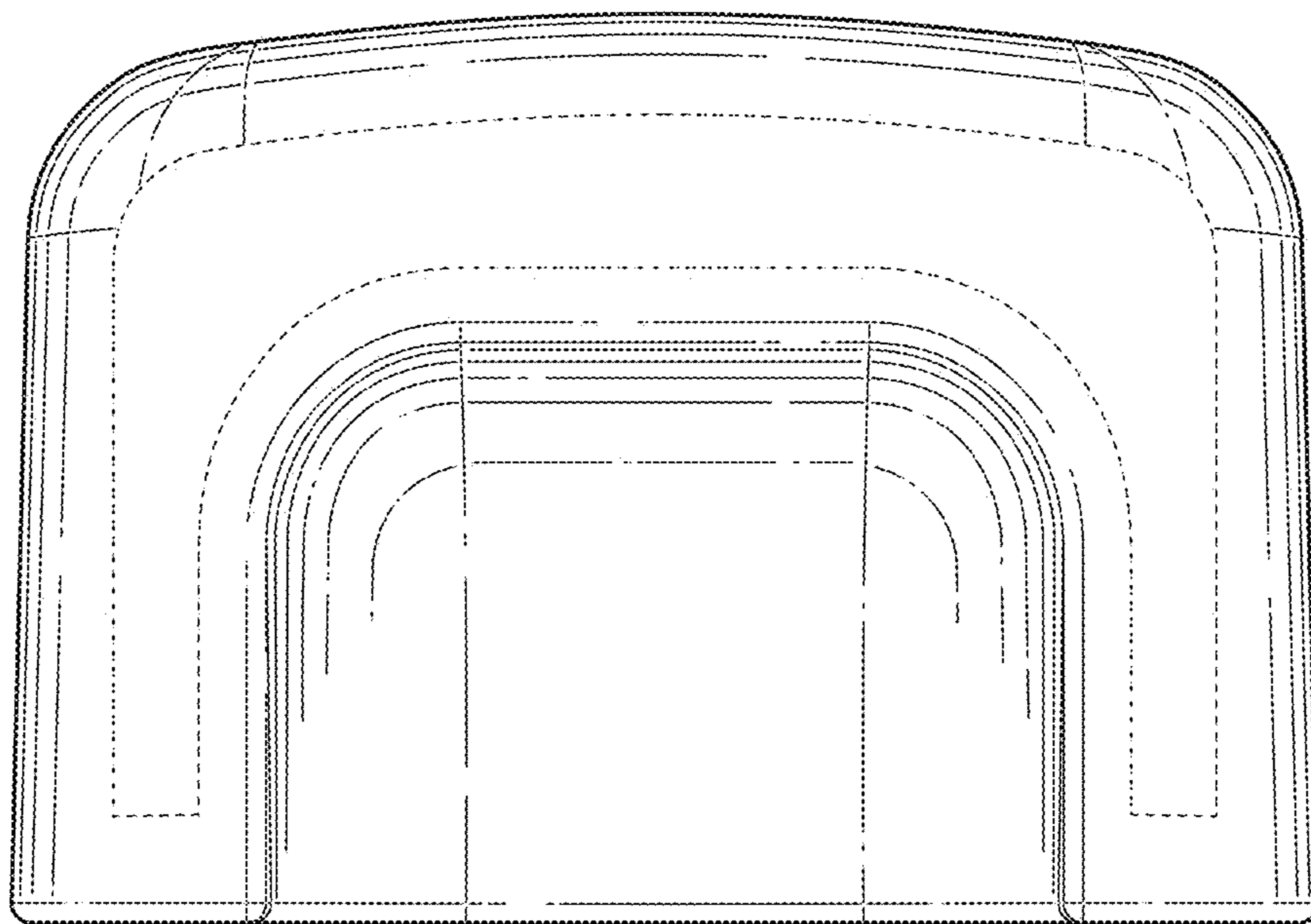


FIG. 9