



US00D905066S

(12) **United States Design Patent**
Lee et al.

(10) **Patent No.:** **US D905,066 S**

(45) **Date of Patent:** **** Dec. 15, 2020**

(54) **PROTECTIVE COVER SKIN FOR ELECTRONIC DEVICE**

(71) Applicant: **elago CO. LTD**, Goyang-si (KR)

(72) Inventors: **Chanwoo Lee**, Goyang-si (KR); **Chong Min Kim**, Seoul (KR)

(73) Assignee: **elago CO. LTD**, Goyang-si (KR)

(**) Term: **15 Years**

(21) Appl. No.: **29/715,541**

(22) Filed: **Dec. 3, 2019**

(51) **LOC (12) Cl.** **14-02**

(52) **U.S. Cl.**
USPC **D14/440**

(58) **Field of Classification Search**
USPC D14/440, 447, 250; 206/45.23, 320,
206/45.2; 361/679.55; 294/25; 224/218;
D3/294, 203.1; D9/420
CPC G06F 1/1628; G06F 1/1626; A47B 23/044
See application file for complete search history.

(56) **References Cited**

U.S. PATENT DOCUMENTS

D323,929 S *	2/1992	Hodson	D14/440
D377,788 S *	2/1997	Carlson	D14/440
D467,799 S *	12/2002	Persson	D9/420
D558,973 S *	1/2008	Hussaini	D3/201
D714,296 S *	9/2014	Fujioka	D14/440
8,831,538 B2 *	9/2014	Yuen	A61B 5/222 455/90.1
D718,048 S *	11/2014	Hsu	D3/273
D718,049 S *	11/2014	Hsu	D3/273
D720,096 S *	12/2014	McDougall	D28/66
D740,692 S *	10/2015	Christie	D9/748
D764,476 S *	8/2016	Gleason, III	D14/440
D774,757 S *	12/2016	Bournay, Jr.	D3/276
D810,421 S *	2/2018	Ross	D3/203.1

D812,065 S *	3/2018	Shim	D14/440
D817,640 S *	5/2018	Dang	D3/294
D818,268 S *	5/2018	Akana	D3/294
D826,152 S *	8/2018	Christiansen	D13/108
D838,232 S *	1/2019	Du	D12/409
D846,264 S *	4/2019	Wu	D3/201
D849,401 S *	5/2019	Akana	D3/274
D864,565 S *	10/2019	Lee	D3/271.1
D864,971 S *	10/2019	Lee	D14/440
D869,147 S *	12/2019	Lian	D3/201
D869,161 S *	12/2019	Zhong	D3/294

(Continued)

Primary Examiner — Cynthia R Underwood

(74) *Attorney, Agent, or Firm* — Paratus Law Group, PLLC

(57) **CLAIM**

The ornamental design for a protective cover skin for electronic device, as shown and described.

DESCRIPTION

FIG. 1 is a front, top, and right perspective view of a protective cover skin for electronic device, showing the claimed design;

FIG. 2 is a front view thereof;

FIG. 3 is a back view thereof;

FIG. 4 is a left side view thereof;

FIG. 5 is a right side view thereof;

FIG. 6 is a top view thereof;

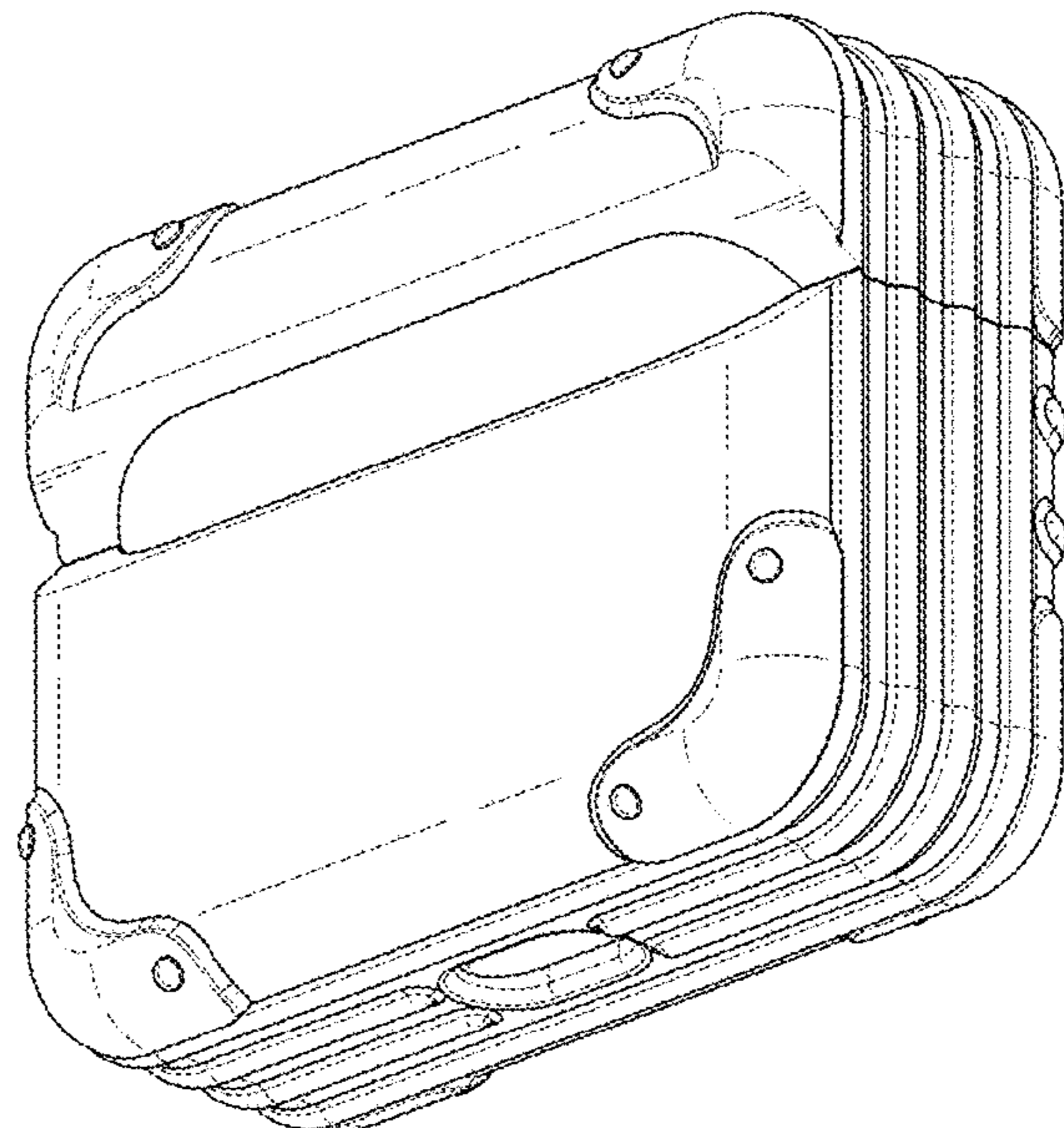
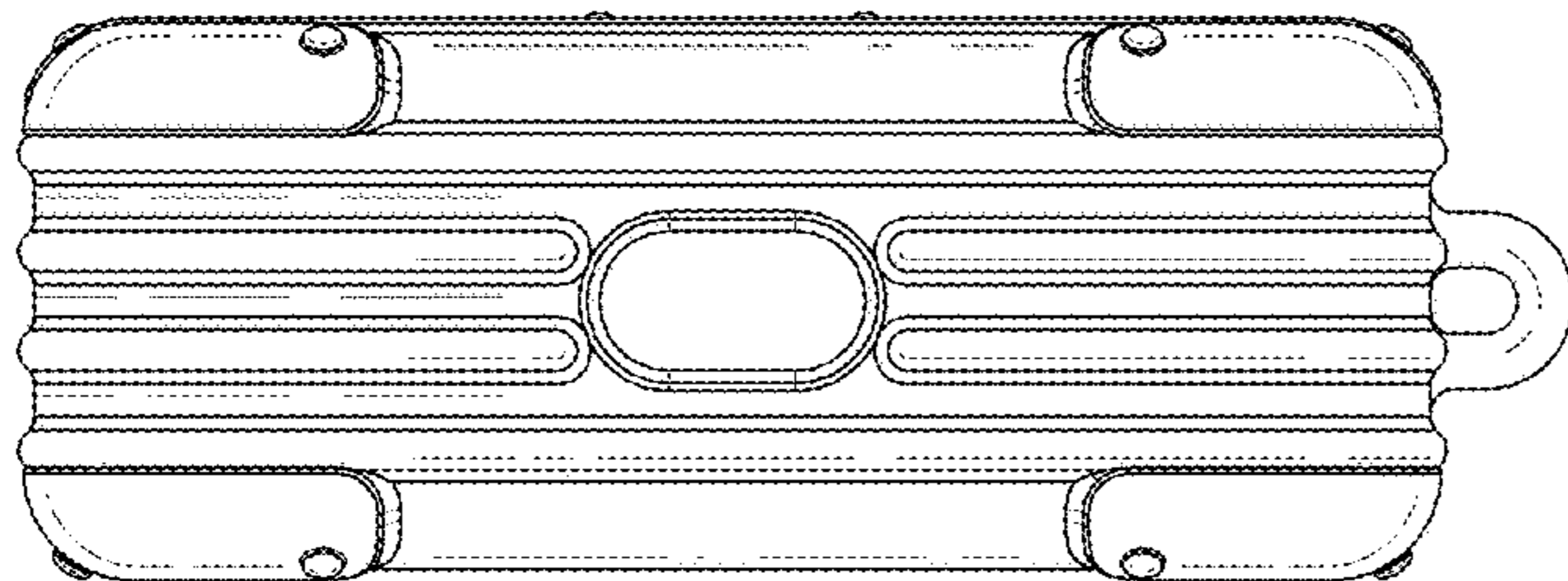
FIG. 7 is a bottom view thereof;

FIG. 8 is a rear, bottom, and left perspective view thereof; and,

FIG. 9 is an exploded front, top, and right perspective view thereof with a top portion open in use.

The broken lines shown in FIG. 3 depict parts of the protective cover skin for electronic device, but form no part of the claimed design. The broken lines shown in FIG. 9 depict environment and form no part of the claimed design.

1 Claim, 7 Drawing Sheets



(56)

References Cited

U.S. PATENT DOCUMENTS

D872,094	S *	1/2020	Wright	D14/440
D872,469	S *	1/2020	Lee	D3/269
D872,723	S *	1/2020	Lee	D14/250
D873,217	S *	1/2020	Zhang	D13/108
D876,821	S *	3/2020	Lee	D3/203.3
D881,566	S *	4/2020	Lee	D3/271.1
D881,867	S *	4/2020	Lee	D14/250
D882,259	S *	4/2020	Liu	D3/269
D886,445	S *	6/2020	Hyun	D3/201
D886,453	S *	6/2020	Wright	D3/294
D890,765	S *	7/2020	Lee	D14/440
D891,771	S *	8/2020	Lee	D3/269
D891,774	S *	8/2020	Yu	D3/294
D892,497	S *	8/2020	Wright	D3/294
D894,588	S *	9/2020	Kwok	D3/203.1
D895,287	S *	9/2020	Hyun	D3/302
D895,288	S *	9/2020	Hyun	D3/302
2007/0256946	A1 *	11/2007	Godshaw	B65D 25/10 206/320
2017/0095065	A1 *	4/2017	Colbert	B65D 43/22
2020/0068285	A1 *	2/2020	Dang	H04R 1/028

* cited by examiner

FIG. 1

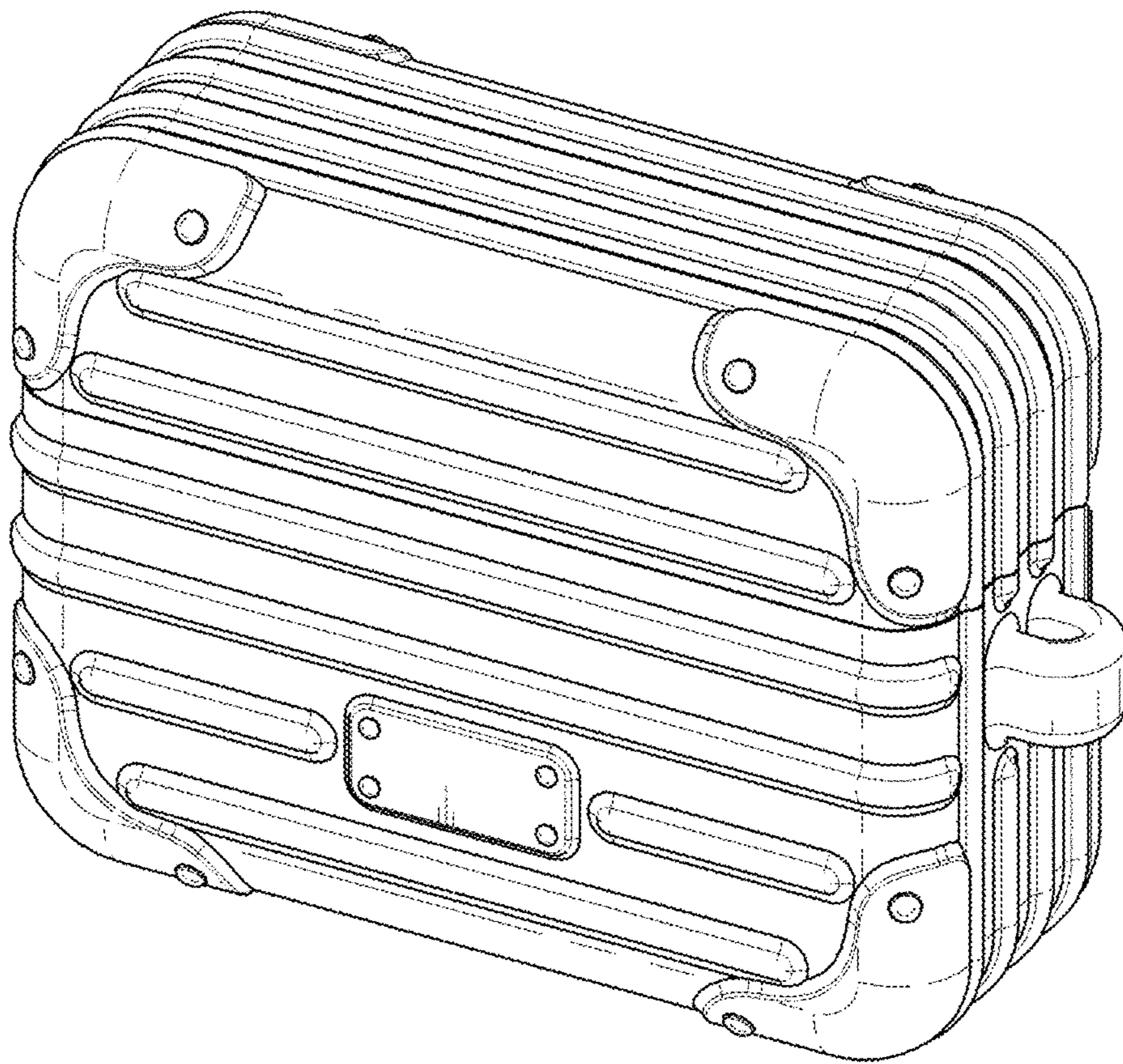


FIG. 2

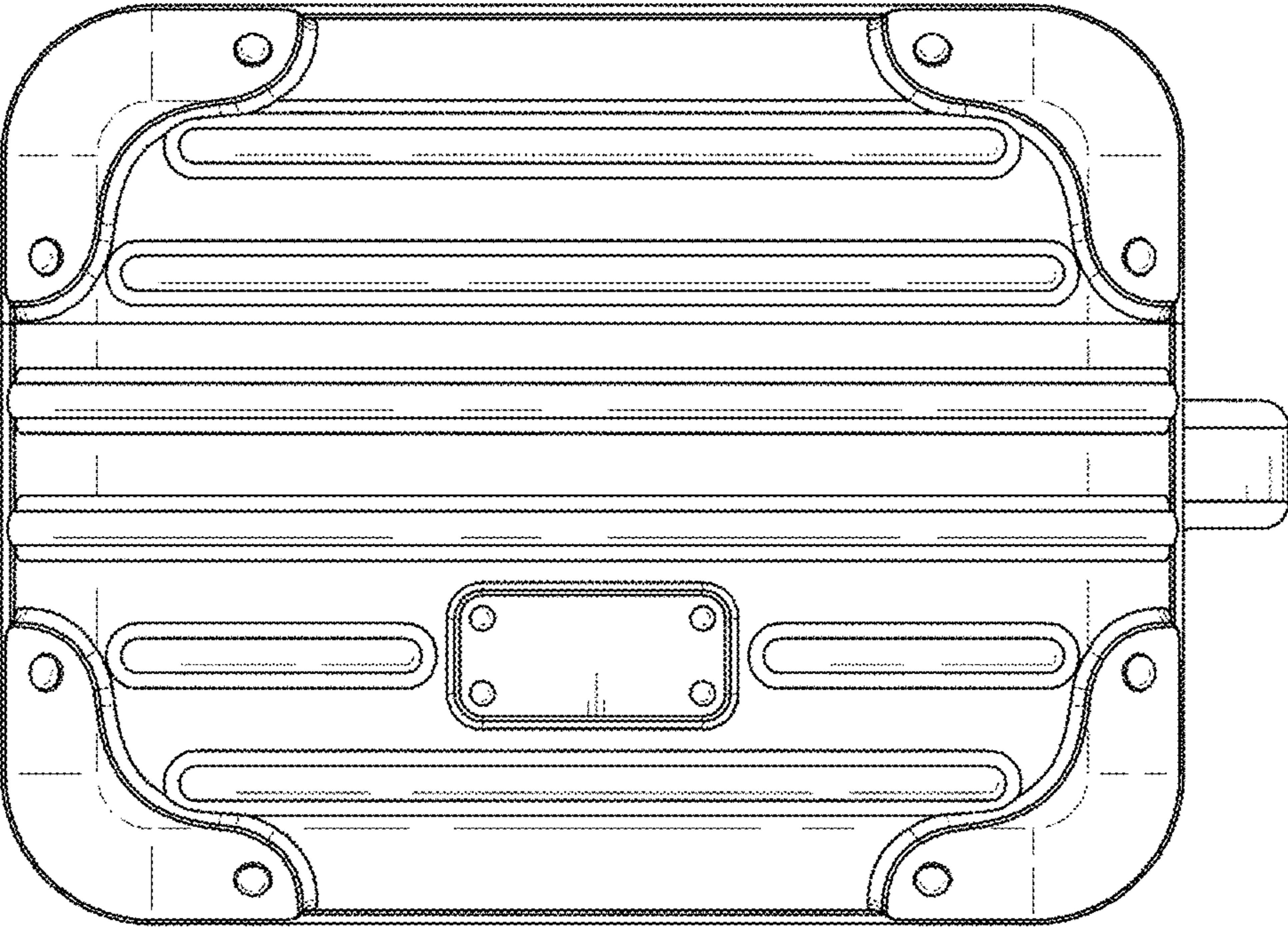


FIG. 3

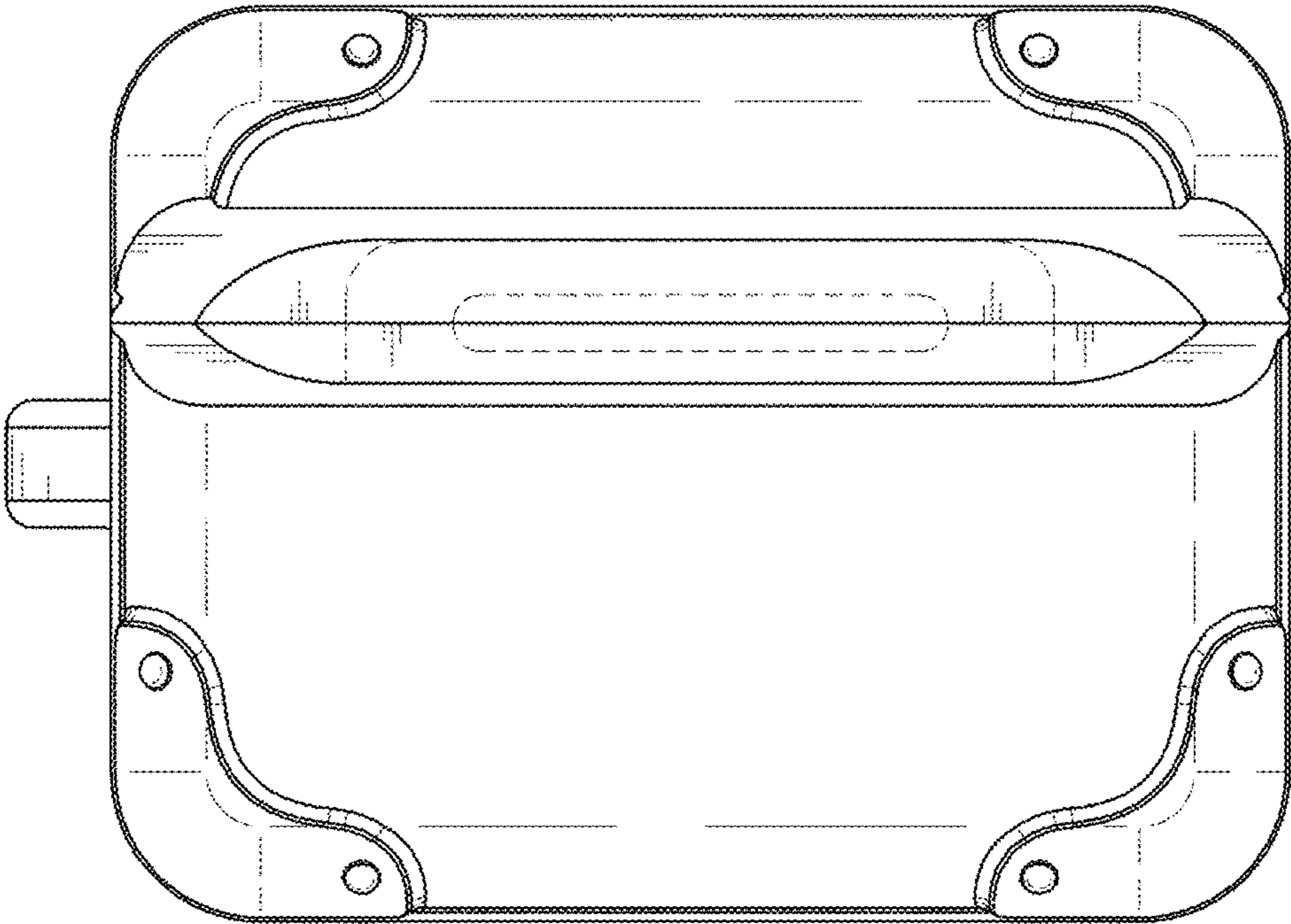


FIG. 4

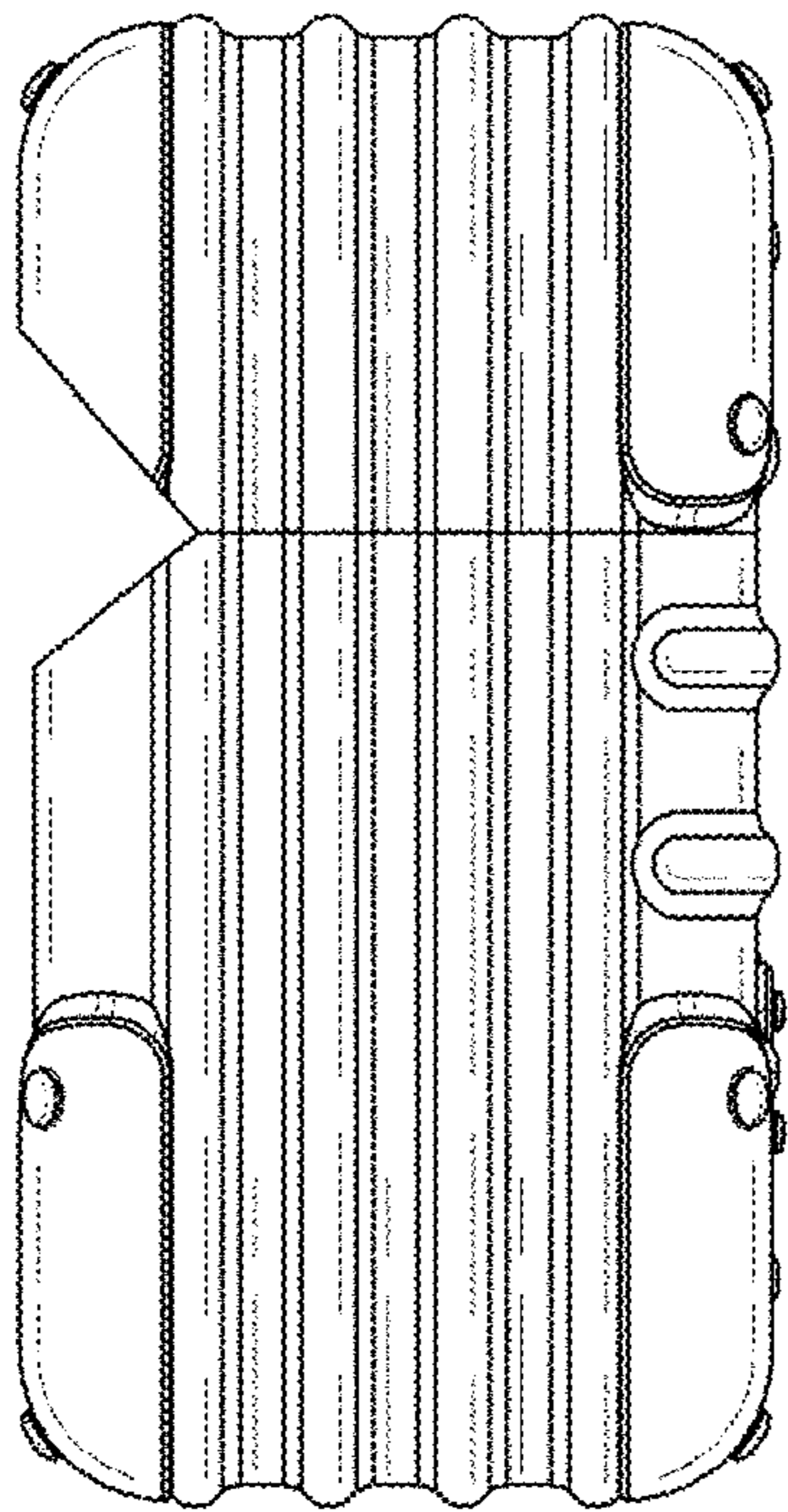


FIG. 5

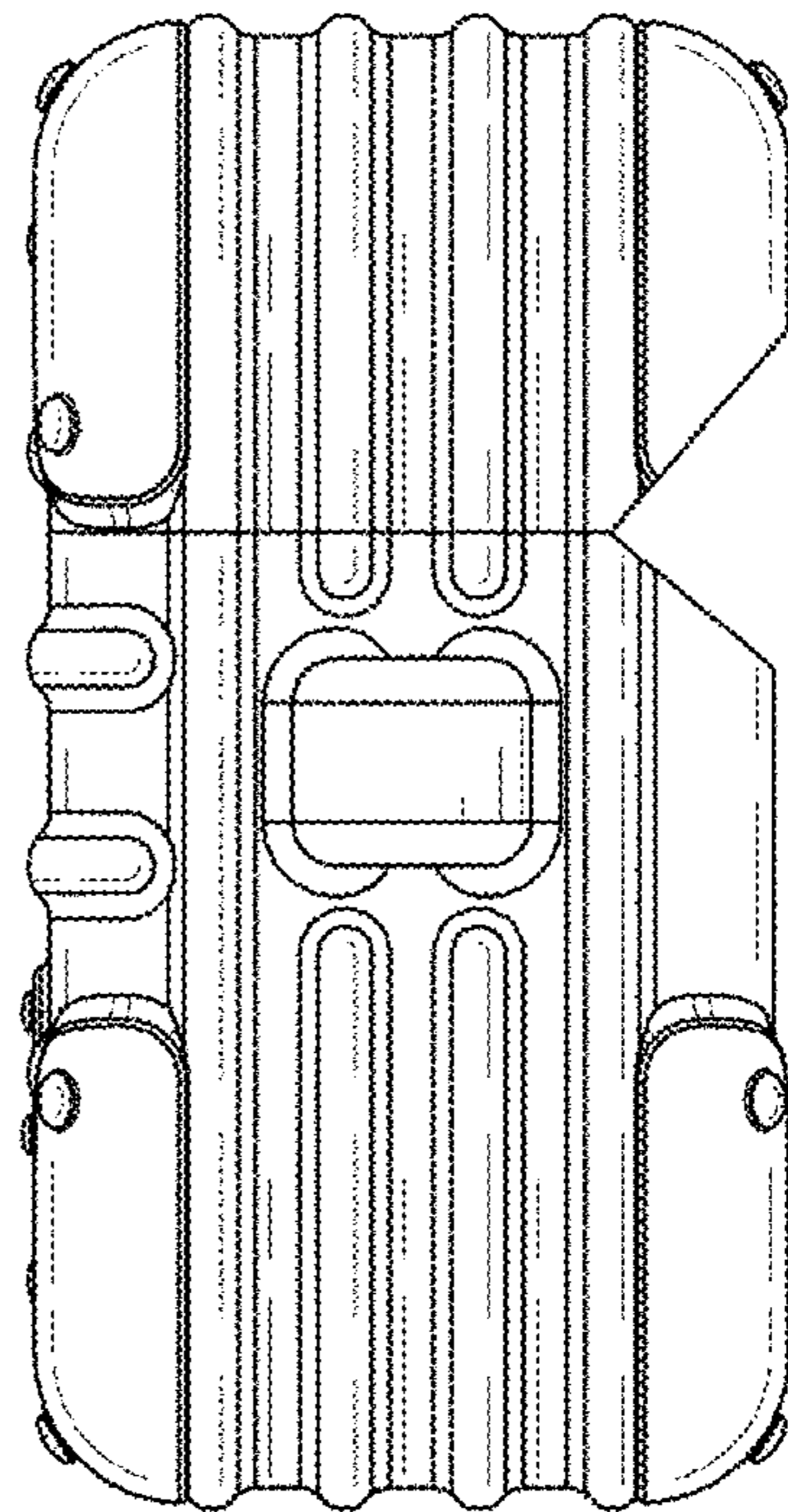


FIG. 6

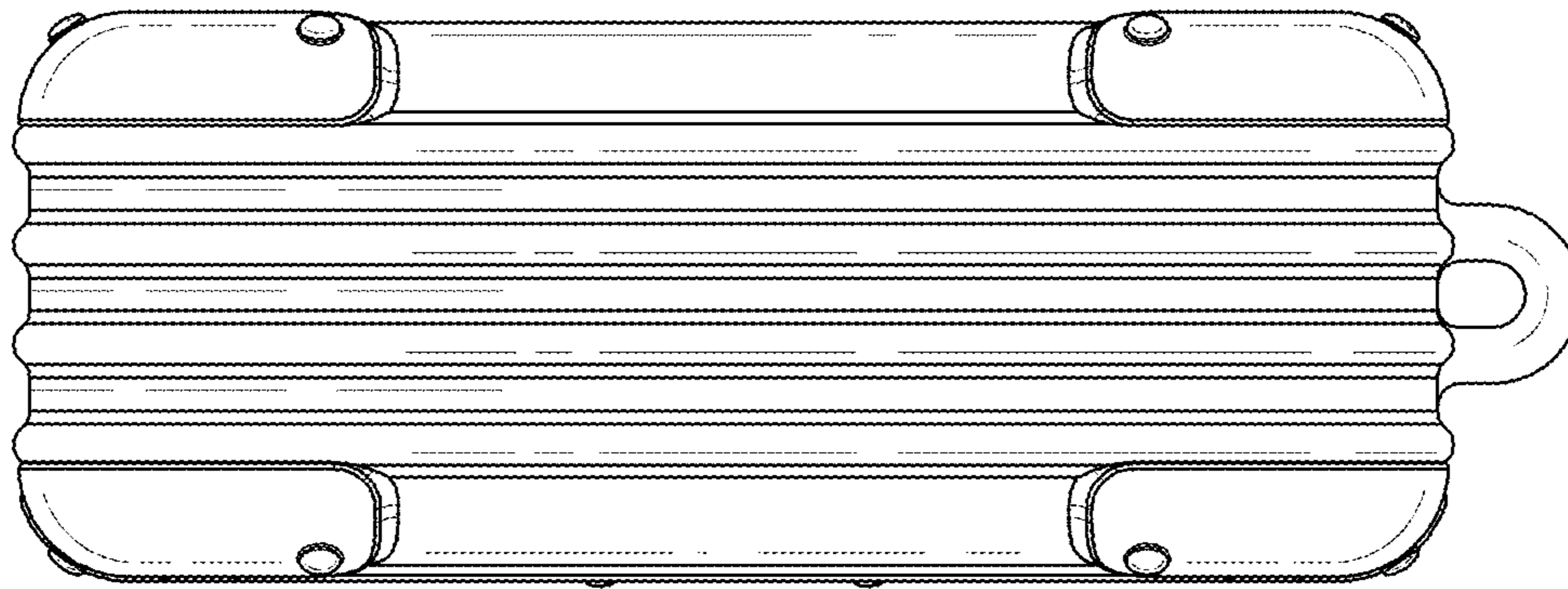


FIG. 7

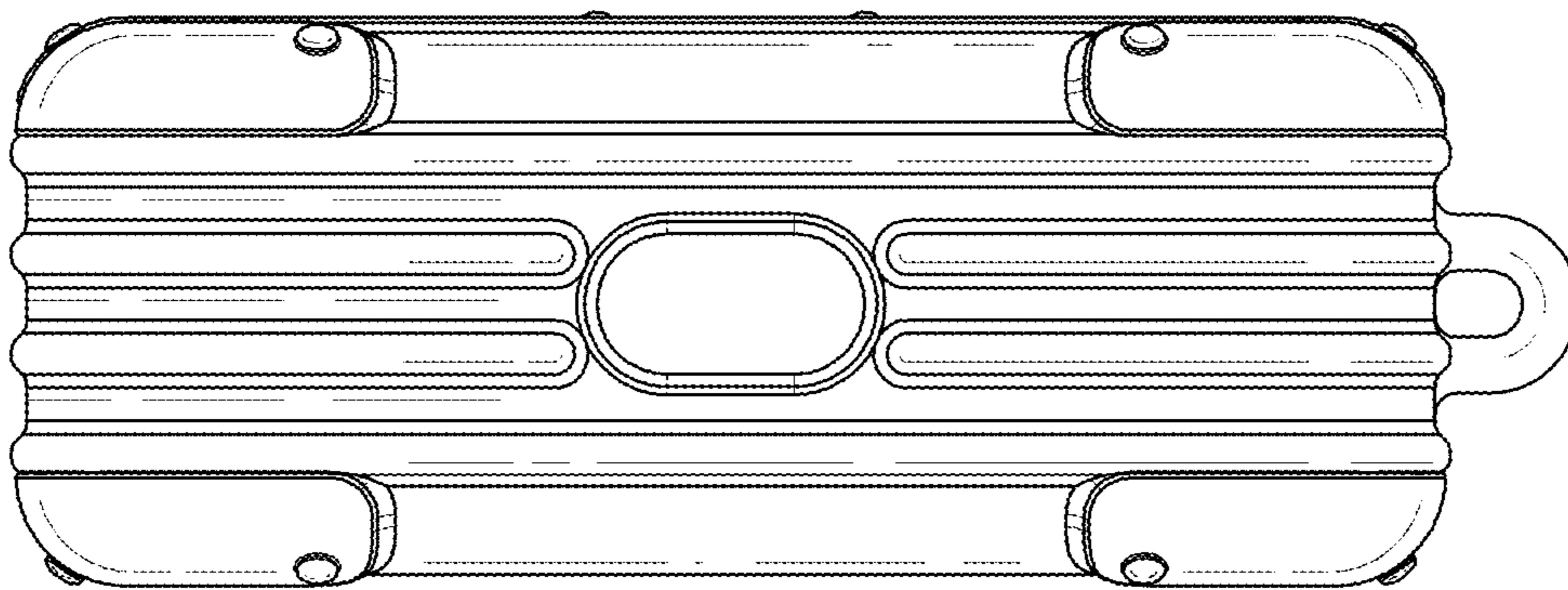


FIG. 8

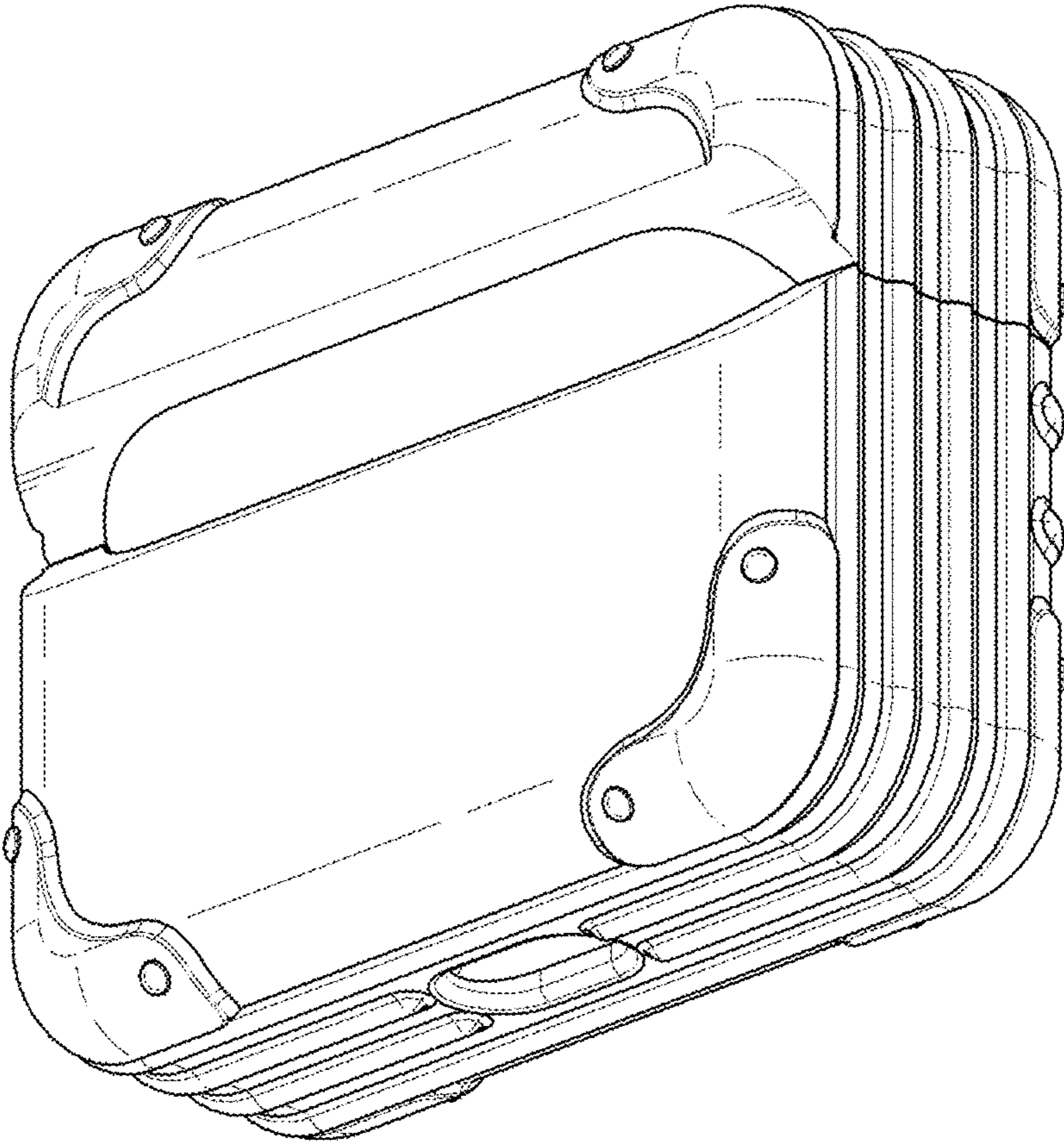


FIG. 9

