



US00D905063S

(12) **United States Design Patent**
Liu et al.

(10) **Patent No.:** **US D905,063 S**

(45) **Date of Patent:** **** Dec. 15, 2020**

(54) **DOCKING UNIT FOR COMPUTER**

(71) Applicant: **Shenzhen Xfanic Technology Co., Ltd.**, Guangdong (CN)

(72) Inventors: **Xiangping Liu**, Guangdong (CN);
Liangcai Xia, Guangdong (CN)

(**) Term: **15 Years**

(21) Appl. No.: **29/704,311**

(22) Filed: **Sep. 4, 2019**

(51) **LOC (12) Cl.** **14-99**

(52) **U.S. Cl.**
USPC **D14/434**

(58) **Field of Classification Search**

USPC D14/433, 434, 435.1, 480.1–480.7, 436,
D14/484.1, 155, 203.1–203.8, 240, 242,
D14/133, 154; D13/107, 108

CPC G06F 13/122; G06F 13/382; G06F 13/385;
G06F 13/4022; G06F 13/4282; G06F
1/1632; G06F 1/1684; H01R 25/006;
H05K 5/0278; G06K 19/07732

See application file for complete search history.

(56) **References Cited**

U.S. PATENT DOCUMENTS

D807,290 S * 1/2018 Liao D13/110
D828,839 S * 9/2018 Zhang D14/433
D828,840 S * 9/2018 Zhang D14/433
D828,841 S * 9/2018 Zhang D14/433
D843,316 S * 3/2019 Zhou D13/108

D847,139 S * 4/2019 Wang D14/433
D853,322 S * 7/2019 Xu D13/108
D854,020 S * 7/2019 Liao D14/434
D855,616 S * 8/2019 Chin D14/433
D880,479 S * 4/2020 Liao D14/433
D880,481 S * 4/2020 Liao D14/433
D881,889 S * 4/2020 Wang D14/433
D886,825 S * 6/2020 Zhang D14/433

* cited by examiner

Primary Examiner — Angela J Lee

Assistant Examiner — Rebekah A Caruso

(74) *Attorney, Agent, or Firm* — ZANIP

(57) **CLAIM**

The ornamental design for a docking unit for computer, as shown and described.

DESCRIPTION

FIG. 1 is a front and top perspective view of a docking unit for computer, showing our new design;

FIG. 2 is a rear and bottom perspective view thereof;

FIG. 3 is a front elevational view thereof;

FIG. 4 is a rear elevational view thereof;

FIG. 5 is a left side elevational view thereof;

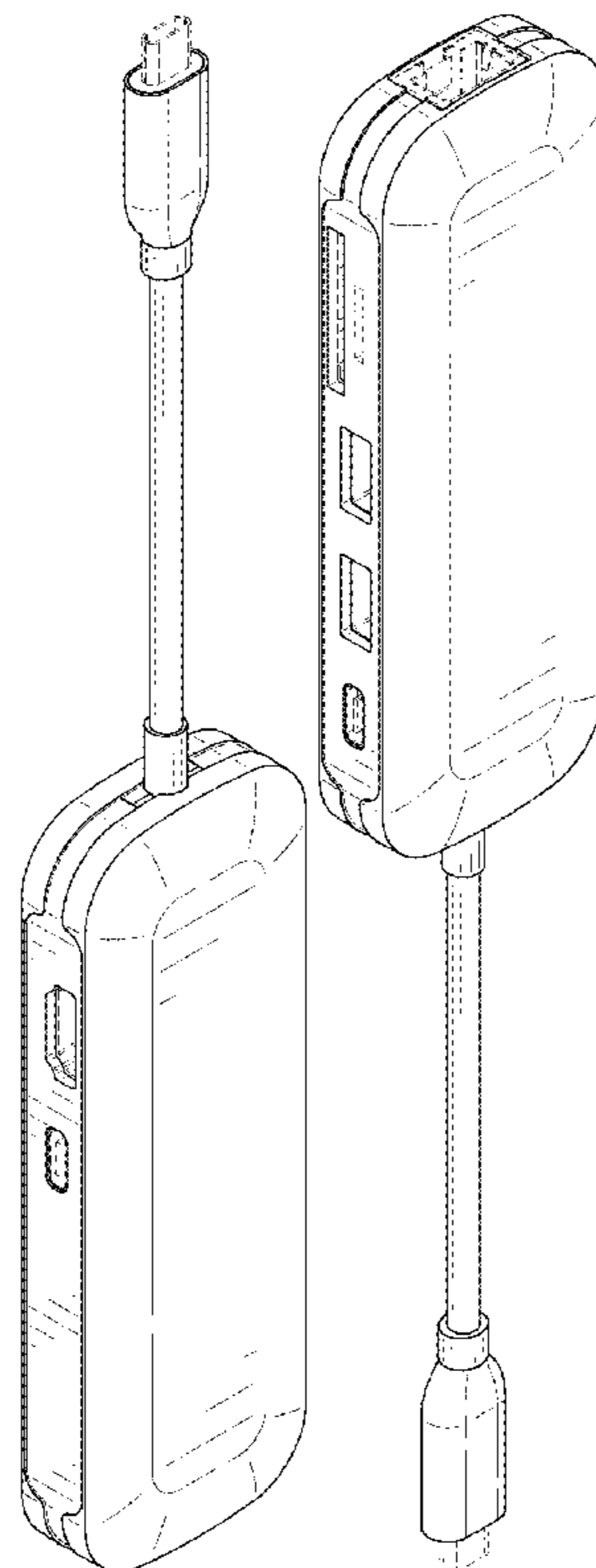
FIG. 6 is a right side elevational view thereof;

FIG. 7 is a top plan view thereof; and,

FIG. 8 is a bottom plan view thereof.

The broken lines in the figures illustrate portions of the docking unit for computer that form no part of the claimed design.

1 Claim, 8 Drawing Sheets



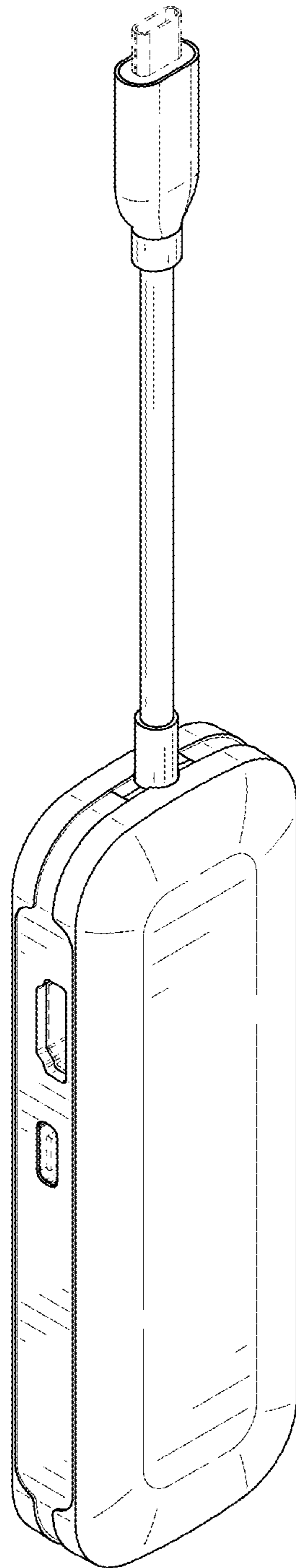


FIG. 1

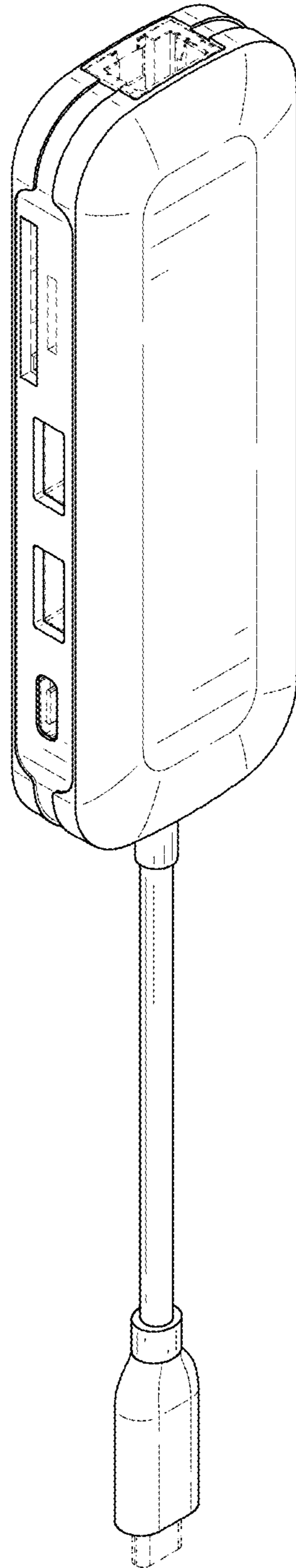


FIG. 2

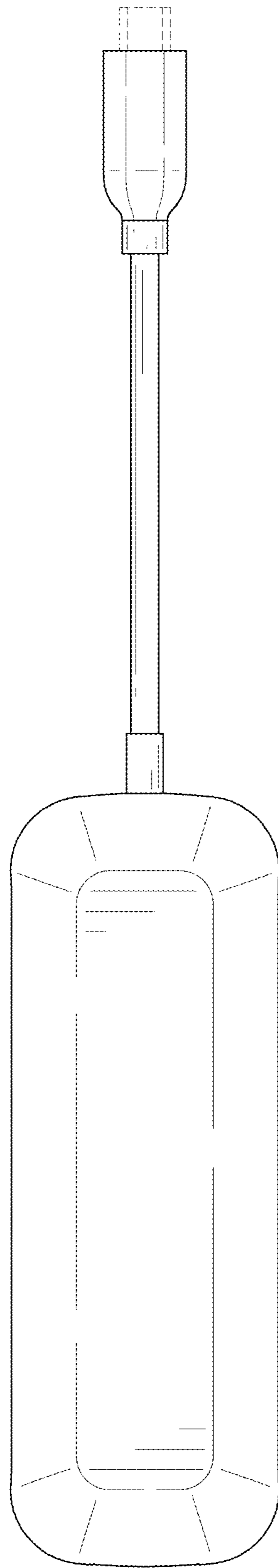


FIG. 3

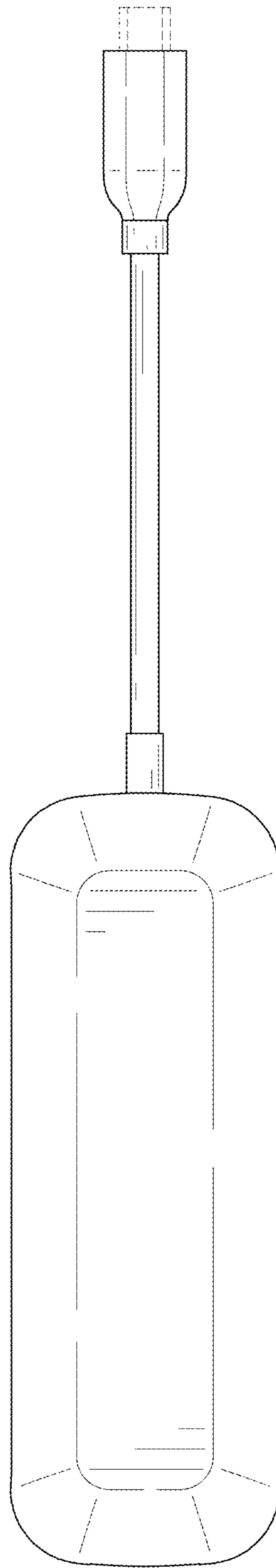


FIG. 4

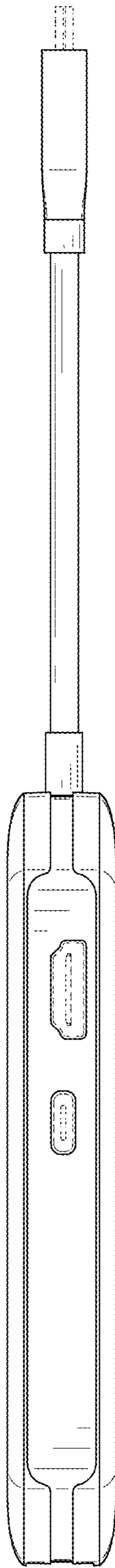


FIG. 5

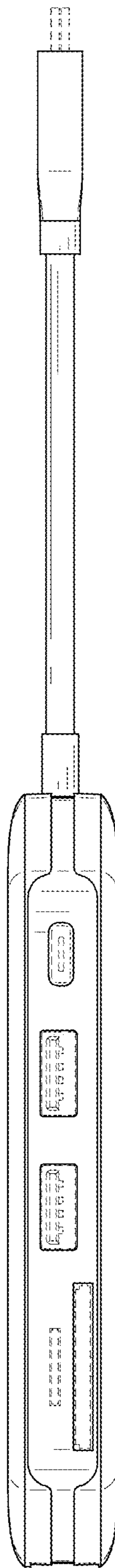


FIG. 6

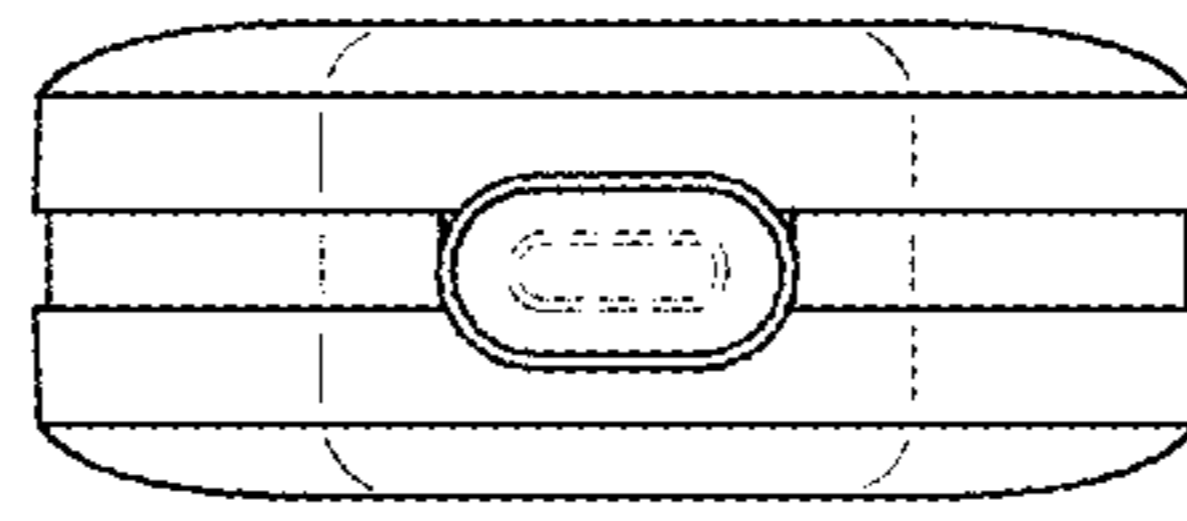


FIG. 7

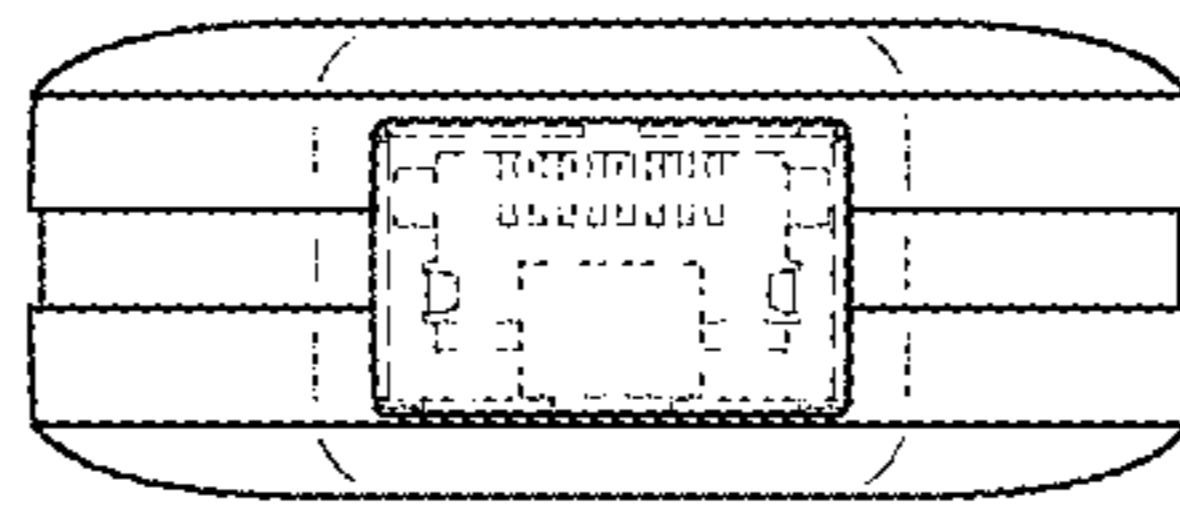


FIG. 8