



US00D905062S

(12) **United States Design Patent**
Fuchs et al.

(10) **Patent No.:** **US D905,062 S**

(45) **Date of Patent:** **** Dec. 15, 2020**

(54) **VIDEO GAME CONTROLLER**

(71) Applicant: **Arkade, Inc.**, Van Nuys, CA (US)

(72) Inventors: **Joshua Allan Fuchs**, Granada Hills, CA (US); **Joel Kort**, Van Nuys, CA (US); **Chuck Seltzer**, Sag Harbor, NY (US)

(73) Assignee: **Arkade, Inc.**, Centennial, CO (US)

(**) Term: **15 Years**

(21) Appl. No.: **29/679,858**

(22) Filed: **Feb. 11, 2019**

(51) **LOC (12) Cl.** **21-01**

(52) **U.S. Cl.**
USPC **D14/418; D21/333**

(58) **Field of Classification Search**
USPC D14/399–402, 418, 496; D21/324, 328, D21/333, 573, 575
CPC A63H 5/04; F41J 5/02
See application file for complete search history.

(56) **References Cited**

U.S. PATENT DOCUMENTS

D524,871 S *	7/2006	Nunokawa	D21/324
D614,624 S	4/2010	Zhang		
D618,687 S	6/2010	Ito		
D646,281 S *	10/2011	Markowitz	D14/418
D658,260 S *	4/2012	Huang	D14/418
D693,811 S *	11/2013	Augustin, Jr.	D14/418
D702,793 S *	4/2014	Burt	D22/103
D730,999 S *	6/2015	Stevens	D21/573
D740,908 S *	10/2015	Tresserras Torre	D22/108
D814,598 S *	4/2018	Monti	D22/108
D819,766 S *	6/2018	Farris	D22/104

D826,204 S *	8/2018	OZkaner	D14/155
D847,137 S *	4/2019	Monti	D14/418
D849,869 S *	5/2019	Kielsmeier	D22/104
D877,281 S *	3/2020	Jones	D22/108
D879,880 S *	3/2020	Abe	D21/333

OTHER PUBLICATIONS

“NDYD AR Game Gun Bluetooth Virtual Reality Game Gun” May 29, 2019, Amazon UK, site visited Apr. 12, 2020: <https://www.amazon.co.uk/dp/B07SDB13RQ> (Year: 2019).*

“Arkade Blaster—Now Available on IndieGoGo!” Mar. 24, 2020, YouTube, site visited Apr. 1, 2020: https://youtu.be/Yc2S2uP_nVM (Year: 2020).*

(Continued)

Primary Examiner — Garth Rademaker

Assistant Examiner — Melvin L Davis

(74) *Attorney, Agent, or Firm* — Foley & Lardner LLP

(57) **CLAIM**

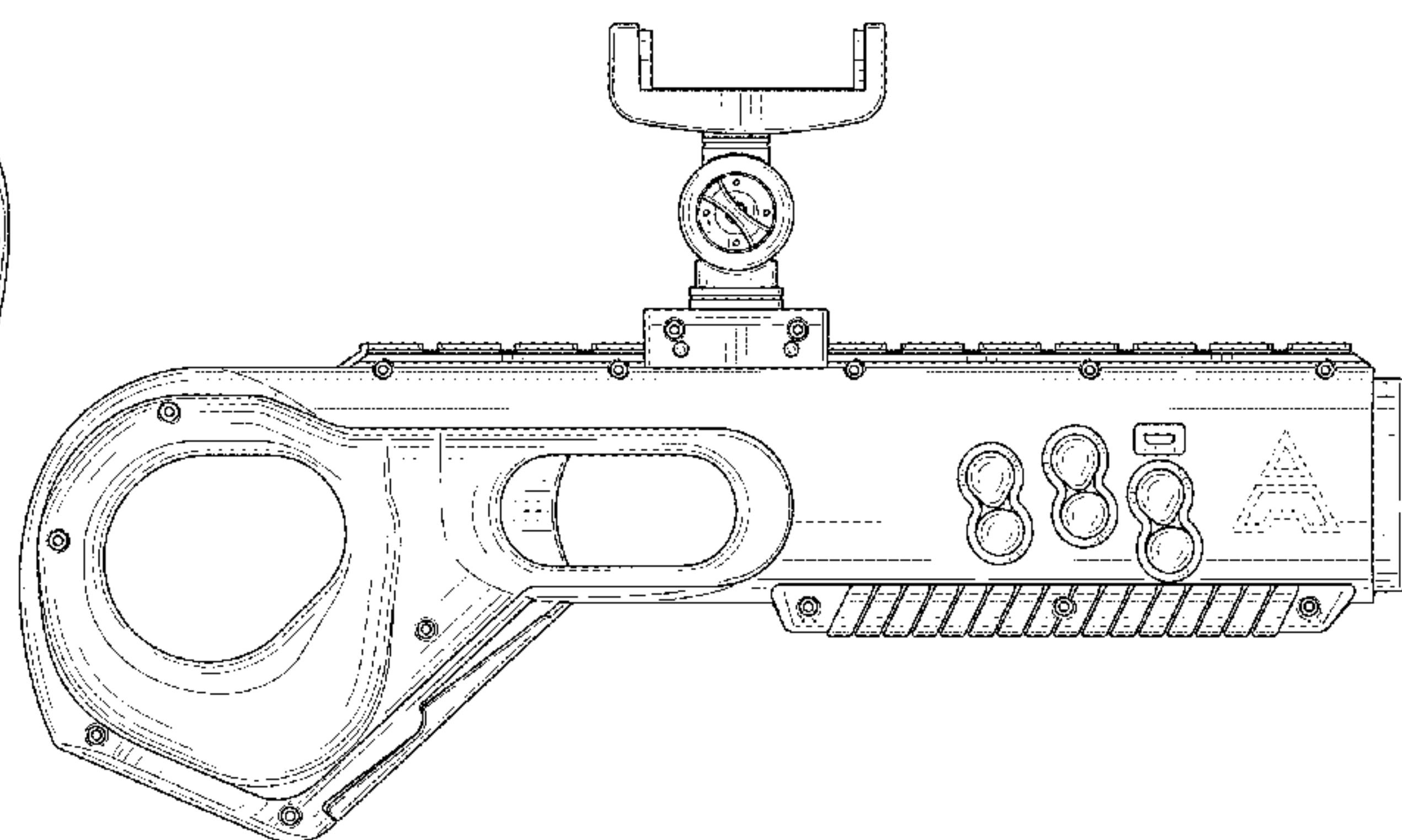
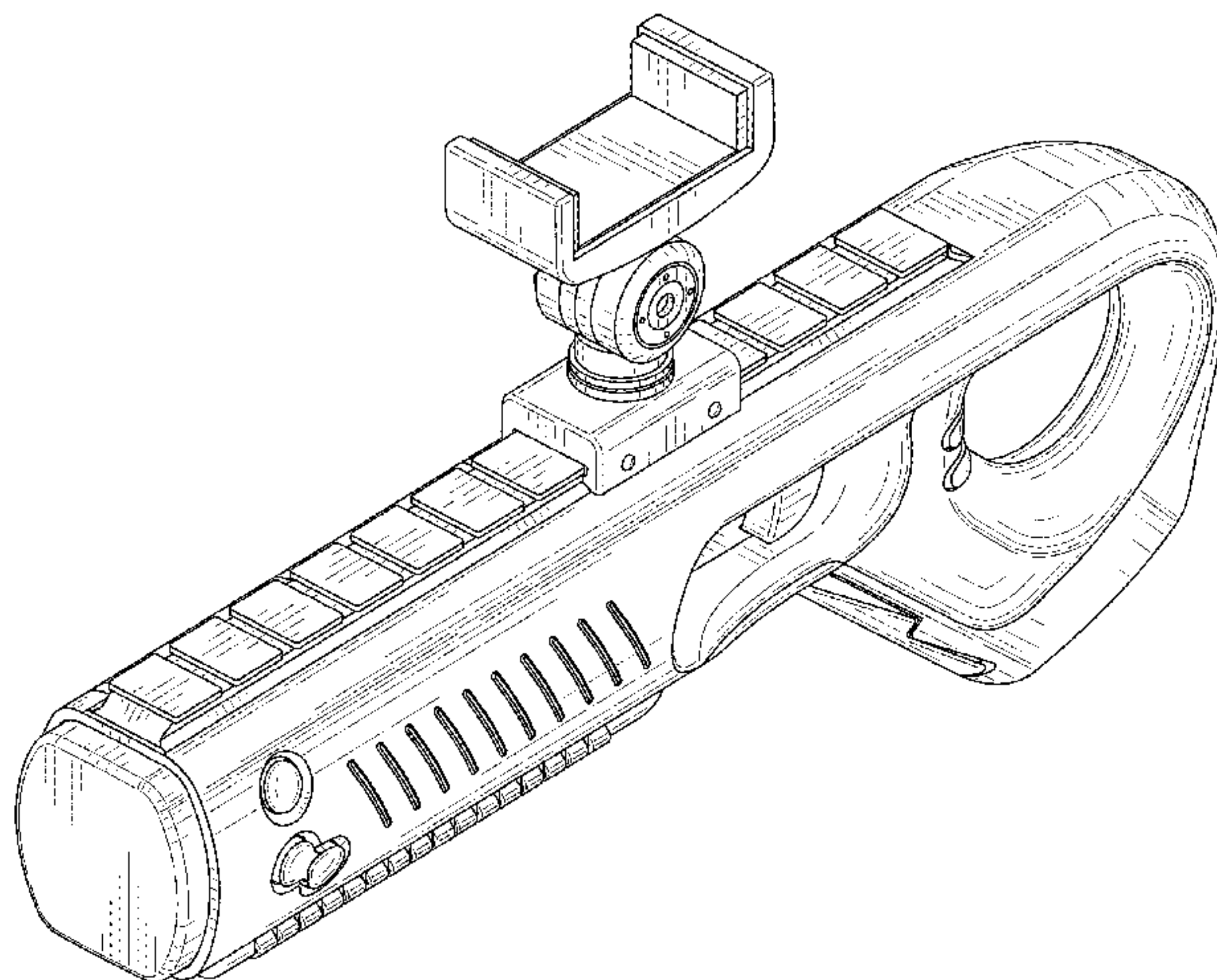
We claim the ornamental design for a video game controller, as shown and described.

DESCRIPTION

FIG. 1 is a front-left perspective view from above of a video game controller according to one embodiment; FIG. 2 is a left side view of the claimed design of FIG. 1; FIG. 3 is a right side view of the claimed design of FIG. 1; FIG. 4 is a rear view of the claim design of FIG. 1; FIG. 5 is a front view of the claimed design of FIG. 1; FIG. 6 is a top view of the claimed design of FIG. 1; FIG. 7 is a bottom view of the claimed design of FIG. 1; and, FIG. 8 is a rear-right perspective view from below of the claimed design of FIG. 1.

The broken lines in the drawings depict portions of the video game controller that form no part of the claimed design.

1 Claim, 6 Drawing Sheets



(56)

References Cited

OTHER PUBLICATIONS

“Prtukytt AR game pistol” Nov. 18, 2019, Amazon UK, site visited Apr. 12, 2020: <https://www.amazon.co.uk/dp/B081N9PBF3> (Year: 2019).*

“AR Gamepad Smart Somatosensory Game Gun” Nov. 23, 2019, Amazon UK, site visited Apr. 12, 2020: <https://www.amazon.co.uk/dp/B081WLC453> (Year: 2019).*

“AR Toy Game Gun” Dec. 14, 2017, Amazon.com, site visited Apr. 12, 2020: https://www.amazon.com/dp/B072XR9R3F/ref=cm_sw_r_tw_dp_U_x_6MeLEbXC2FZ3J (Year: 2017).*

“ELP AR Gun With Bluetooth” Jul. 24, 2017, Amazon.com, site visited Apr. 12, 2020: https://www.amazon.com/dp/B073GP1MCF/ref=cm_sw_r_tw_dp_U_x_RafLEbX1MWKCR (Year: 2017).*

“AR Game Gun Augmented Reality VR Gun Controller” Dec. 22, 2016, Amazon.com, site visited Apr. 12, 2020: https://www.amazon.com/dp/B06XT11RNW/ref=cm_sw_r_tw_dp_U_x_3t5KEb9551CBD (Year: 2016).*

“PlayStation Move Sharp Shooter for PlayStation 3” Feb. 22, 2011, Amazon.com, site visited Apr. 1, 2020: https://www.amazon.com/dp/B002I0K622/ref=cm_sw_r_tw_dp_U_x_BbtHEbN5EYD63 (Year: 2011).

Nerf Mod: Rebelle Guardian ‘wooden’ Crossbow Apr. 26, 2016, DeviantArt, site visited Apr. 26, 2020: <https://www.deviantart.com/haazardous/art/Nerf-Mod-Rebelle-Guardian-wooden-Crossbow-605316092> (Year: 2016).

Wasteland Hand Cannon—Detail Mar. 1, 2015, DeviantArt, site visited Apr. 26, 2020: <https://www.deviantart.com/jonyman123/art/Wasteland-Hand-Cannon-Detail-517287017> (Year: 2015).

* cited by examiner

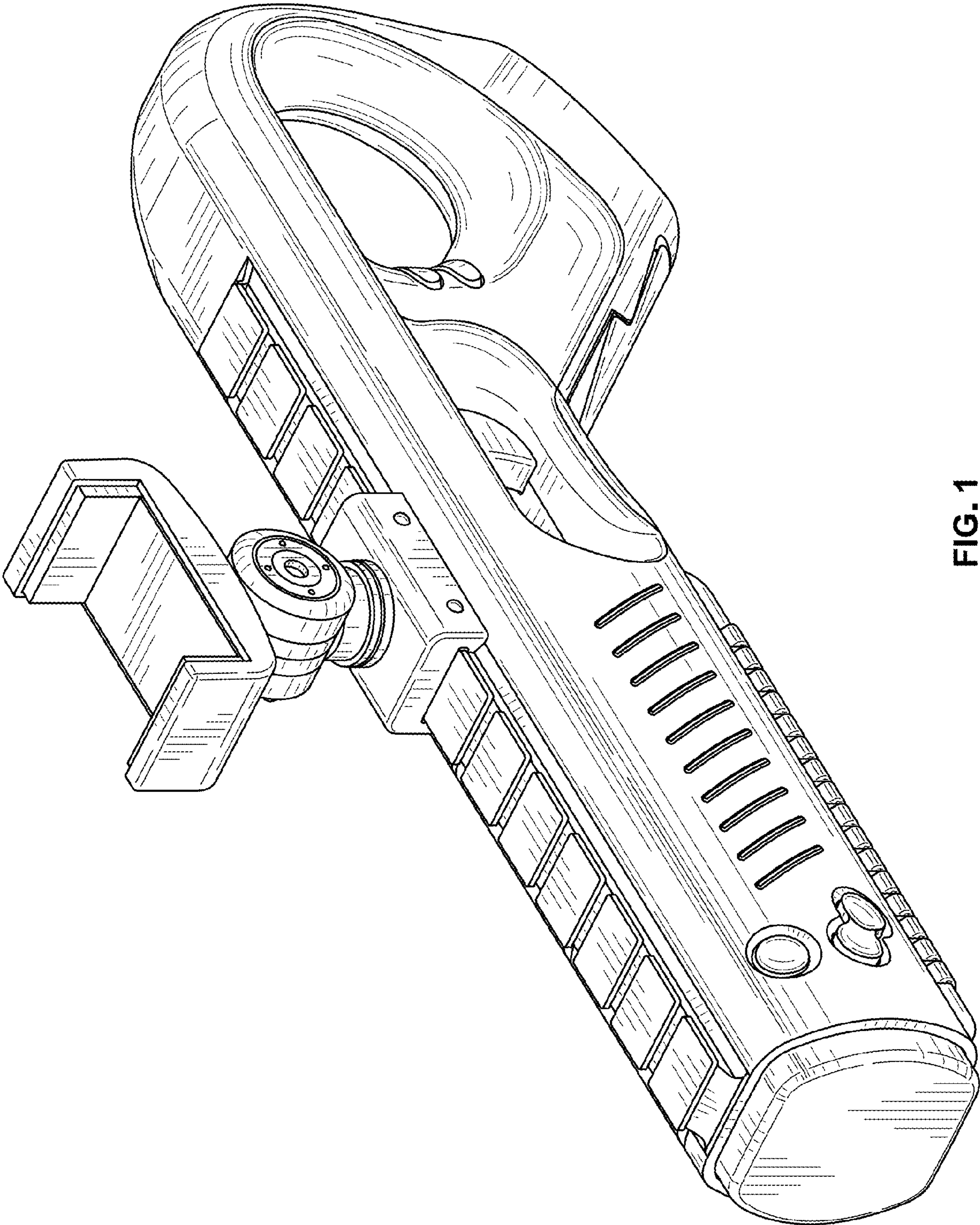


FIG. 1

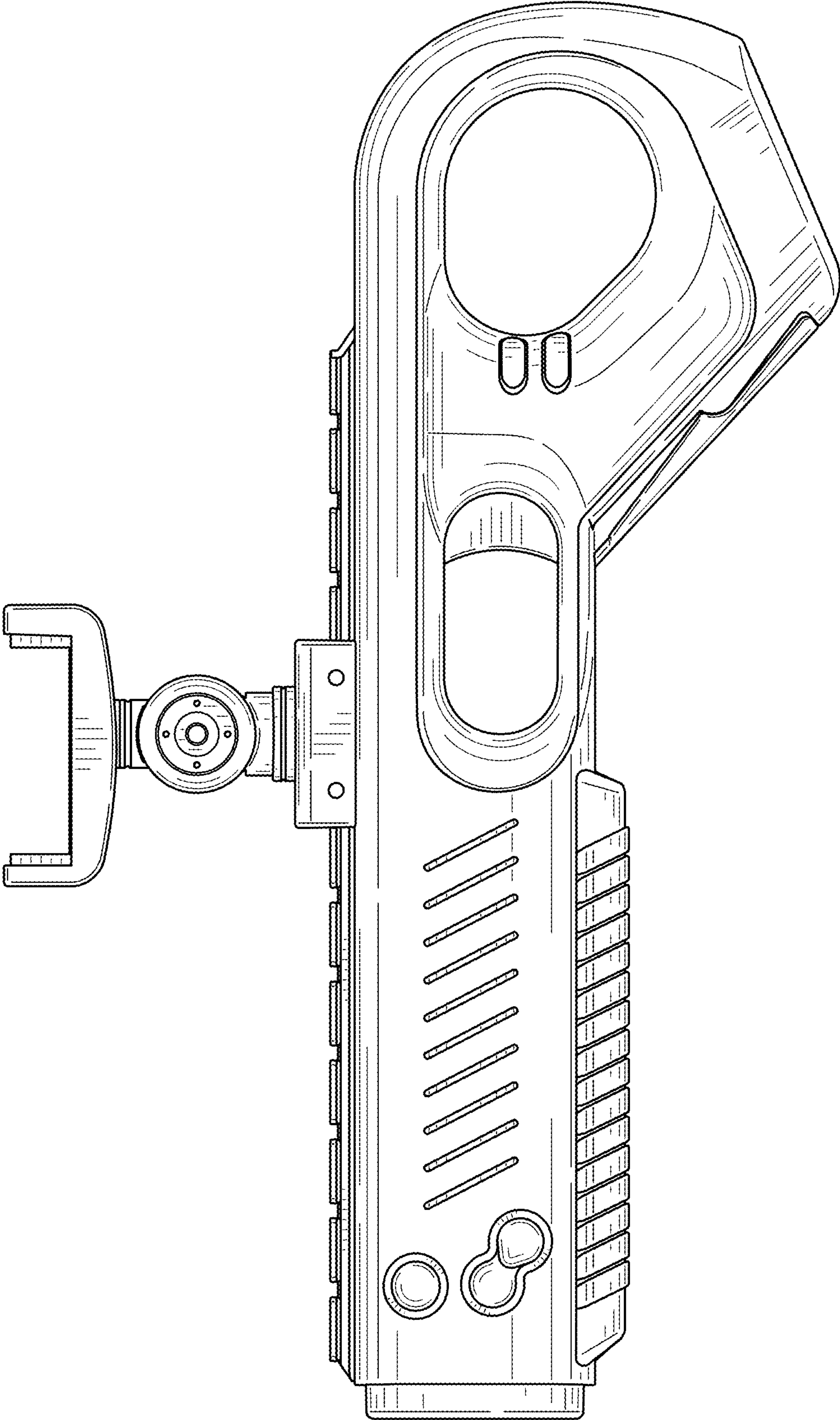


FIG. 2

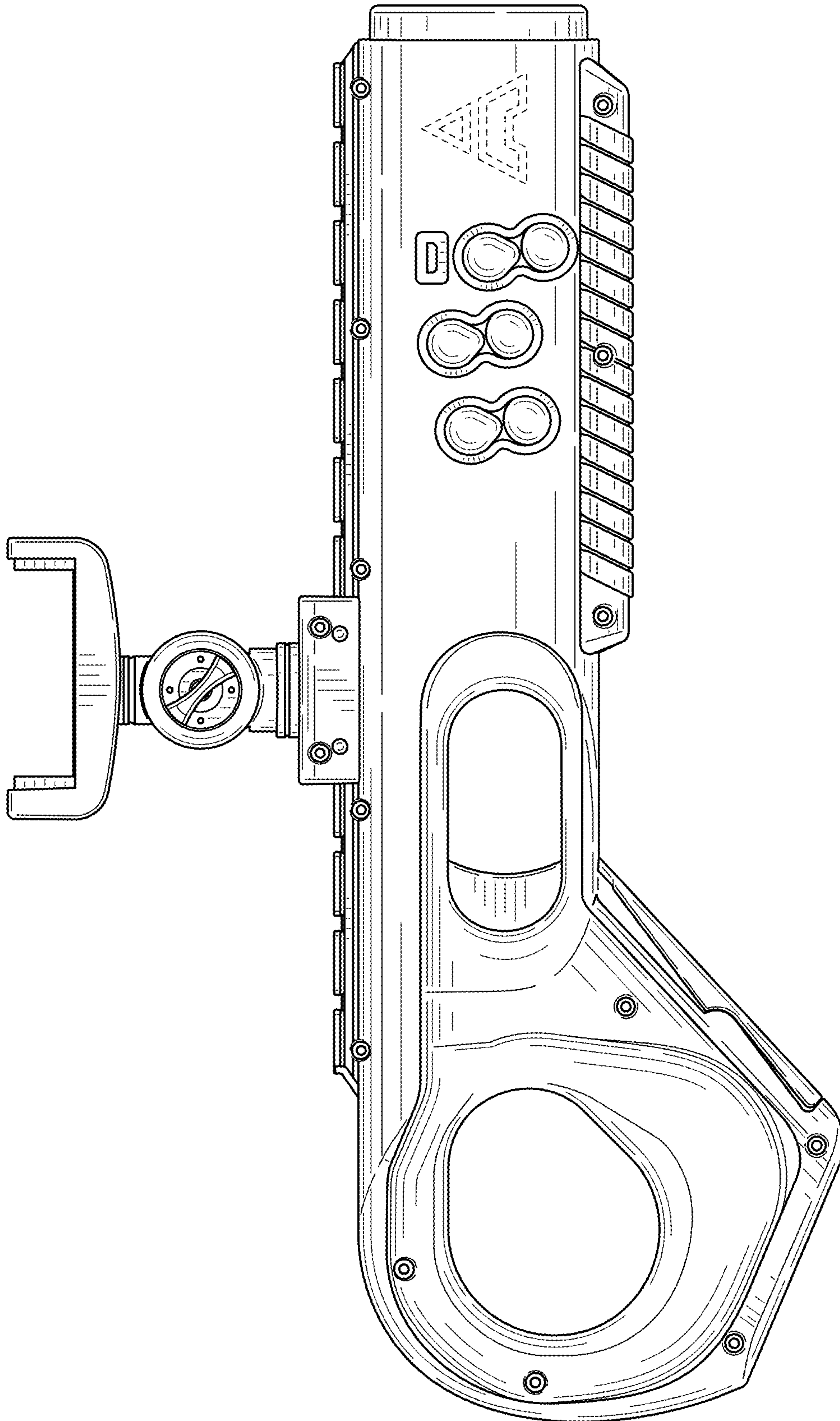


FIG. 3

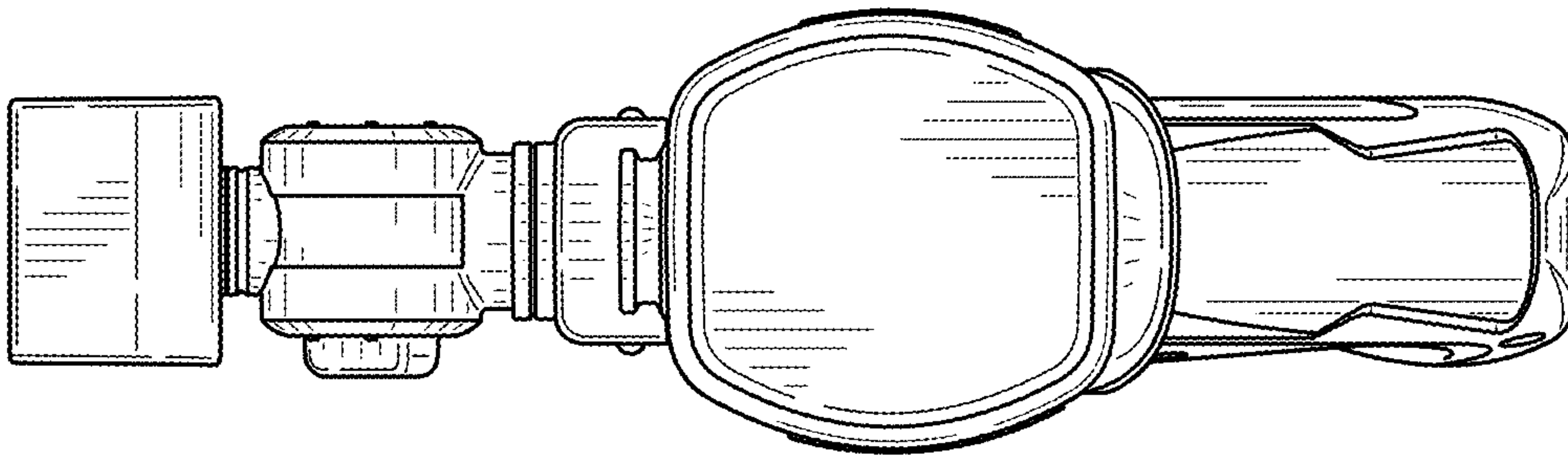


FIG. 5

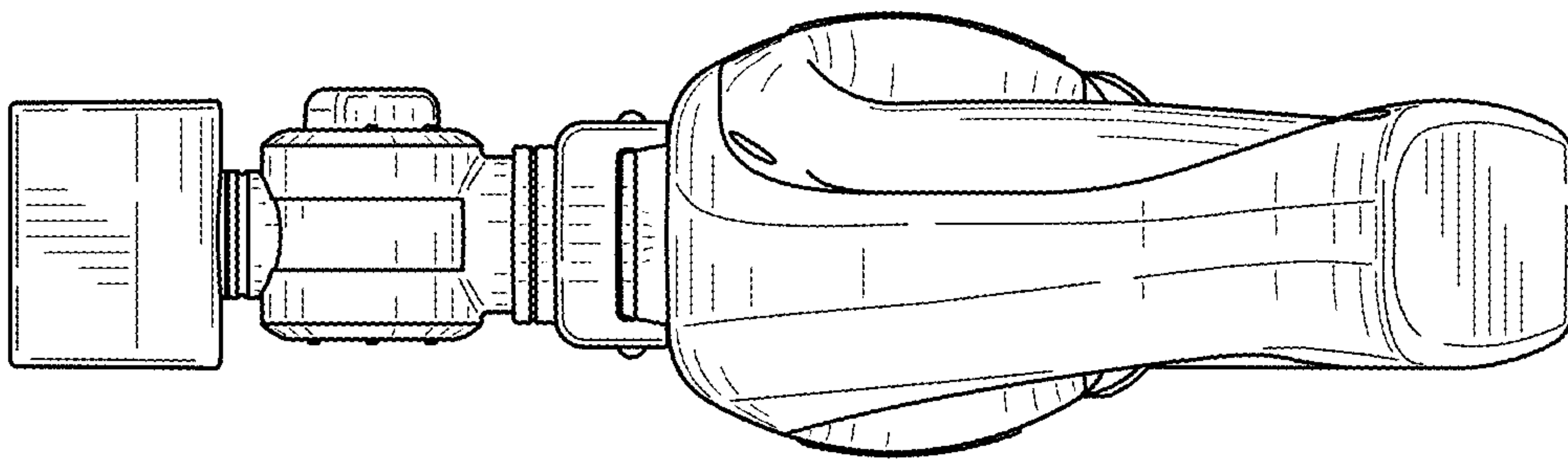


FIG. 4

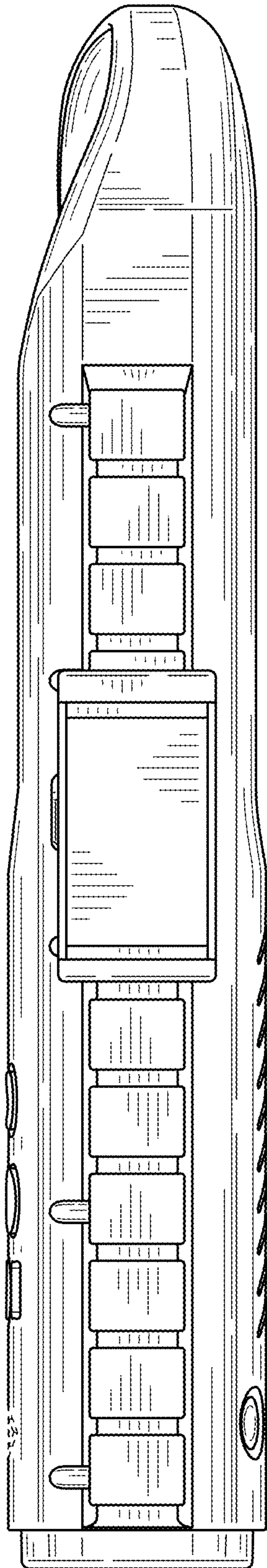


FIG. 6

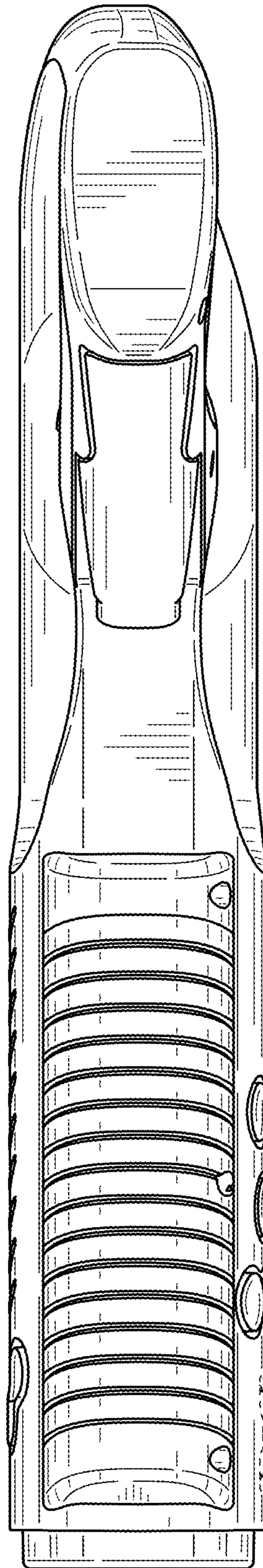


FIG. 7

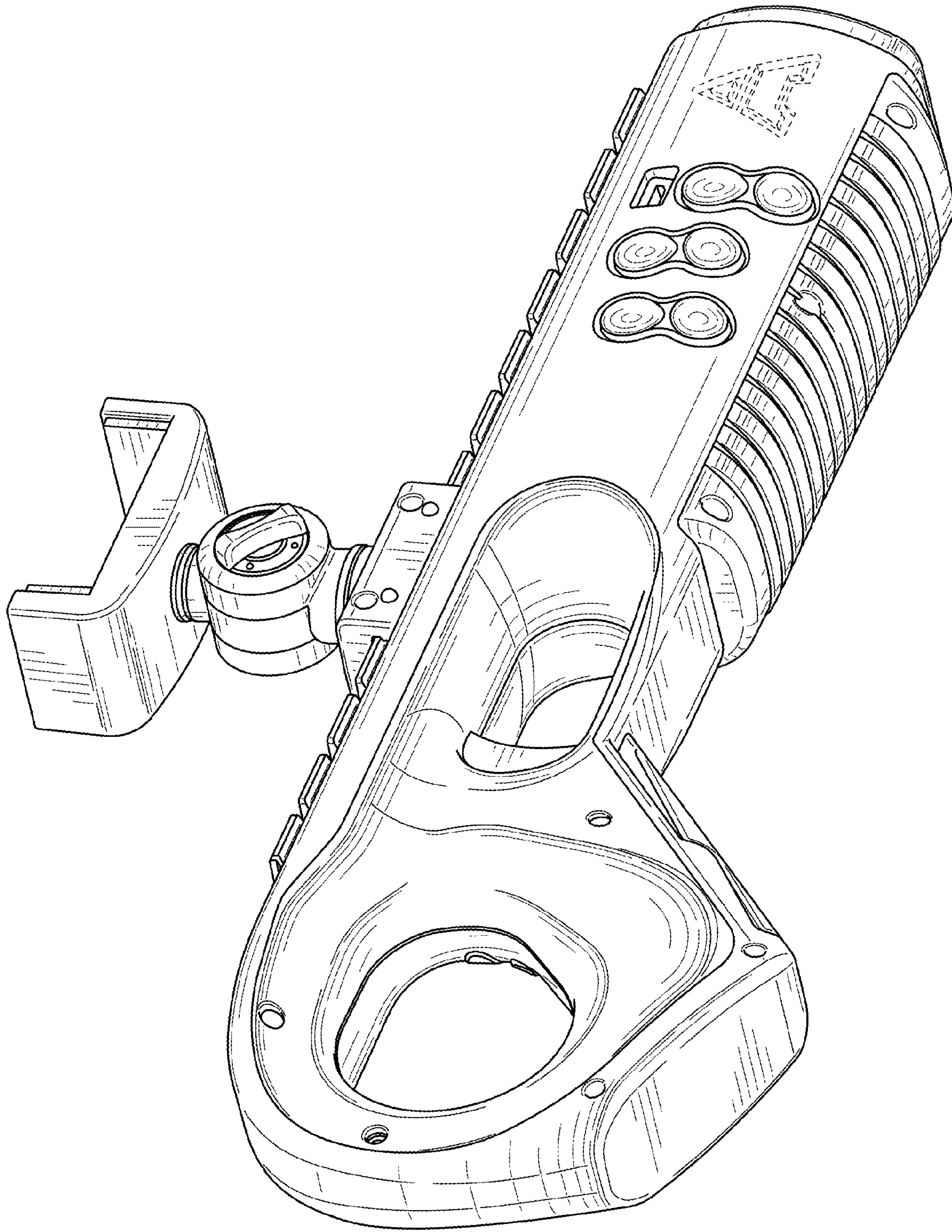


FIG. 8