



US00D905061S

(12) **United States Design Patent** (10) **Patent No.:** **US D905,061 S**
Fuchs et al. (45) **Date of Patent:** **** Dec. 15, 2020**

(54) **VIDEO GAME CONTROLLER**

D849,869 S * 5/2019 Kielsmeier D22/104
D877,281 S * 3/2020 Jones D22/108
D879,880 S * 3/2020 Abe D21/333

(71) Applicant: **Arkade, Inc.**, Van Nuys, CA (US)

(72) Inventors: **Joshua Allan Fuchs**, Granada Hills, CA (US); **Joel Kort**, Van Nuys, CA (US); **Chuck Seltzer**, Sag Harbor, NY (US)

(73) Assignee: **Arkade, Inc.**, Centennial, CO (US)

(**) Term: **15 Years**

(21) Appl. No.: **29/666,180**

(22) Filed: **Oct. 10, 2018**

(51) **LOC (12) Cl.** **21-02**

(52) **U.S. Cl.**
USPC **D14/418**; D21/333

(58) **Field of Classification Search**
USPC D14/399-402, 418, 496; D21/324, 328, D21/333, 573, 575
CPC A63H 5/04; F41J 5/02
See application file for complete search history.

(56) **References Cited**

U.S. PATENT DOCUMENTS

D524,871 S * 7/2006 Nunokawa D21/324
D614,624 S 4/2010 Zhang
D618,687 S 6/2010 Ito
D646,281 S * 10/2011 Markowitz D14/418
D658,260 S * 4/2012 Huang D14/418
D693,811 S * 11/2013 Augustin, Jr. D14/418
D702,793 S * 4/2014 Burt D22/103
D730,999 S * 6/2015 Stevens D21/573
D740,908 S * 10/2015 Tresserras Torre D22/108
D814,598 S * 4/2018 Monti D22/108
D819,766 S * 6/2018 Farris D22/104
D826,204 S * 8/2018 OZkaner D14/155
D847,137 S * 4/2019 Monti D14/418

OTHER PUBLICATIONS

“PlayStation Move Sharp Shooter for PlayStation 3” Feb. 22, 2011, Amazon.com, site visited Apr. 1, 2020: https://www.amazon.com/dp/B00210K622/ref=cm_sw_r_tw_dp_U_x_BbtHEbN5EYD63 (Year: 2011).*
“Arkade Blaster—Now Available on IndieGoGo!” Mar. 24, 2020, YouTube, site visited Apr. 1, 2020: https://youtu.be/Yc2S2uP_nVM (Year: 2020).*
“AR Gamepad Smart Somatosensory Game Gun” Nov. 23, 2019, Amazon UK, site visited Apr. 12, 2020: <https://www.amazon.co.uk/dp/B081WLC453> (Year: 2019).*

(Continued)

Primary Examiner — Michael C Stout

Assistant Examiner — Melvin L Davis

(74) *Attorney, Agent, or Firm* — Foley & Lardner LLP

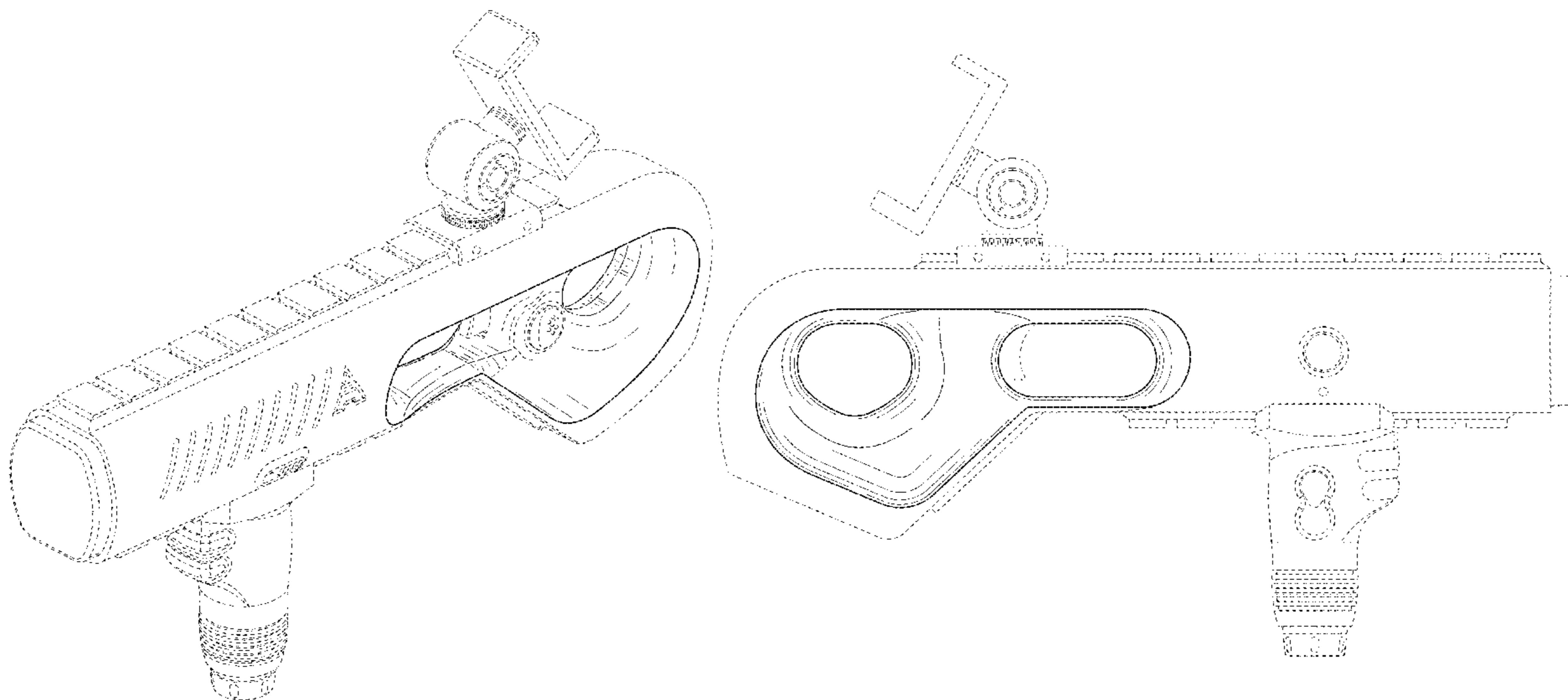
(57) **CLAIM**

We claim the ornamental design for a video game controller, as shown and described.

DESCRIPTION

FIG. 1 is a front-left perspective view from above of a video game controller;
FIG. 2 is a left side view thereof;
FIG. 3 is a right side view thereof;
FIG. 4 is a rear view thereof;
FIG. 5 is a front view thereof;
FIG. 6 is a top view thereof;
FIG. 7 is a bottom view thereof; and,
FIG. 8 is a rear-right perspective view from below thereof.
Any portion of the article depicted in broken lines forms no part of the claimed design.

1 Claim, 6 Drawing Sheets



(56)

References Cited

OTHER PUBLICATIONS

“NDYD AR Game Gun Bluetooth Virtual Reality Game Gun” May 29, 2019, Amazon UK, site visited Apr. 12, 2020: <https://www.amazon.co.uk/dp/B07SDB13RQ> (Year: 2019).*

“Prtukytt AR game pistol” Nov. 18, 2019, Amazon UK, site visited Apr. 12, 2020: <https://www.amazon.co.uk/dp/B081N9PBF3> (Year: 2019).*

“Wasteland Hand Cannon—Detail” Mar. 1, 2015, DeviantArt, site visited Apr. 26, 2020: <https://www.deviantart.com/jonyman123/art/Wasteland-Hand-Cannon-Detail-517287017> (Year: 2015).*

“Nerf Mod: Rebelle Guardian ‘wooden’ Crossbow” Apr. 26, 2016, DeviantArt, site visited Apr. 26, 2020: <https://www.deviantart.com/haazardous/art/Nerf-Mod-Rebelle-Guardian-wooden-Crossbow-605316092> (Year: 2016).*

AR Game Gun Augmented Reality VR Gun Controller Dec. 22, 2016, Amazon.com, site visited Apr. 12, 2020: https://www.amazon.com/dp/B06XT11RNW/ref=cm_sw_r_tw_dp_U_x_3t5KEb9551CBD (Year: 2016).

AR Toy Game Gun Dec. 14, 2017, Amazon.com, site visited Apr. 12, 2020: https://www.amazon.com/dp/B072XR9R3F/ref=cm_sw_r_tw_dp_U_x_6MeLEbXC2FZ3J (Year: 2017).

ELP AR Gun With Bluetooth Jul. 24, 2017, Amazon.com, site visited Apr. 12, 2020: https://www.amazon.com/dp/B073GP1MCF/ref=cm_sw_r_tw_dp_U_x_RafLEbX1MWKCR (Year: 2017).

* cited by examiner

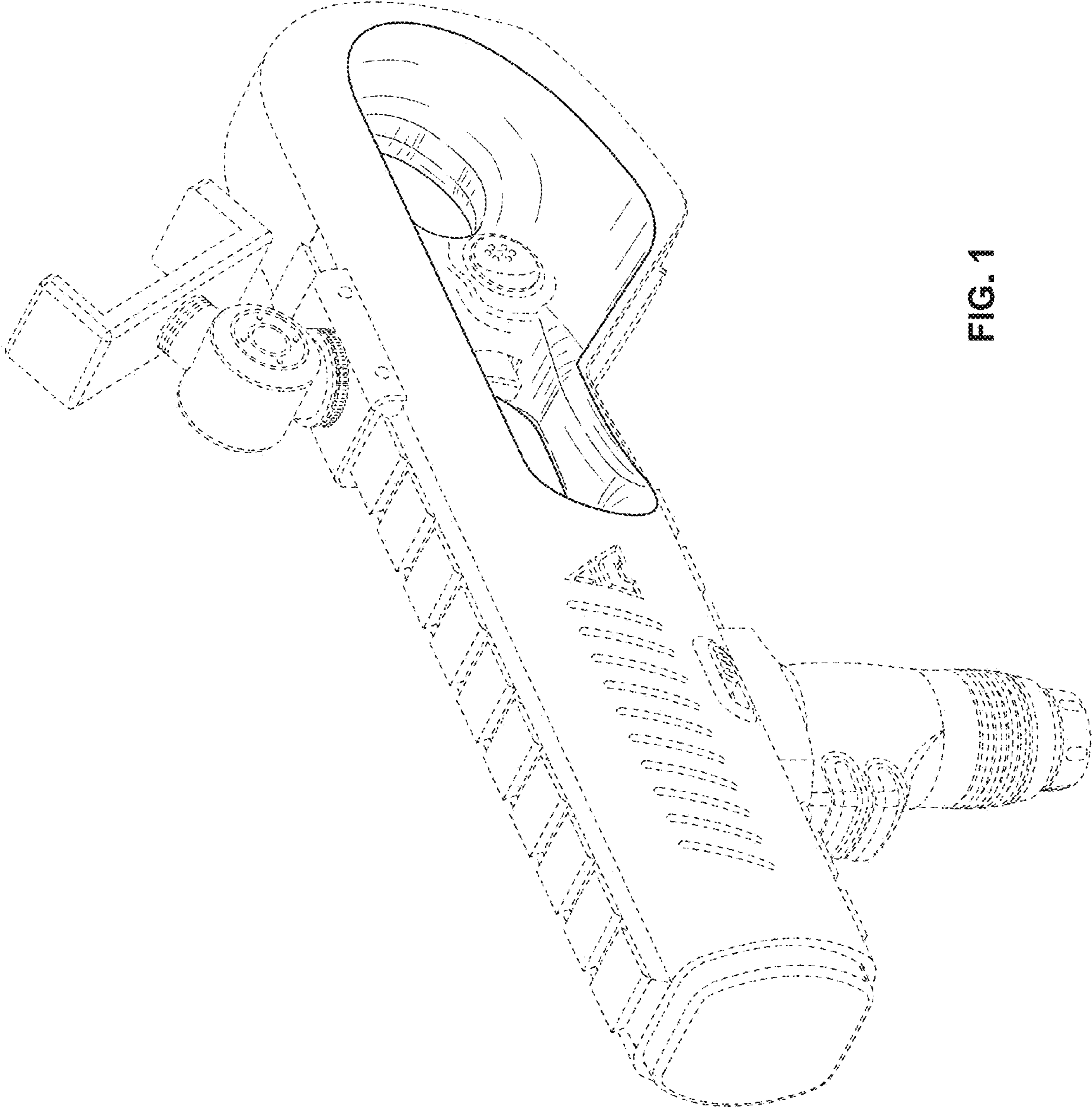


FIG. 1

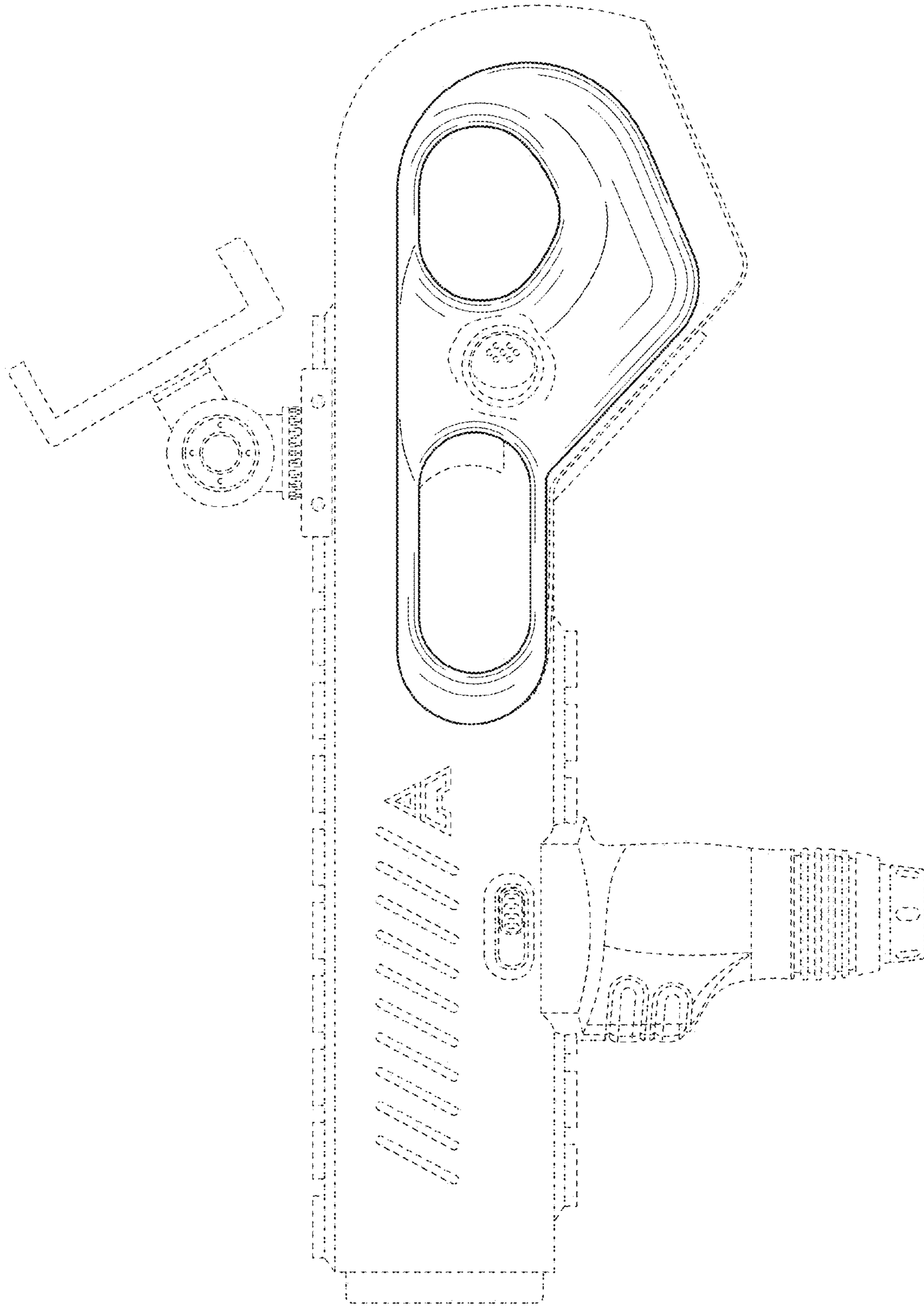


FIG. 2

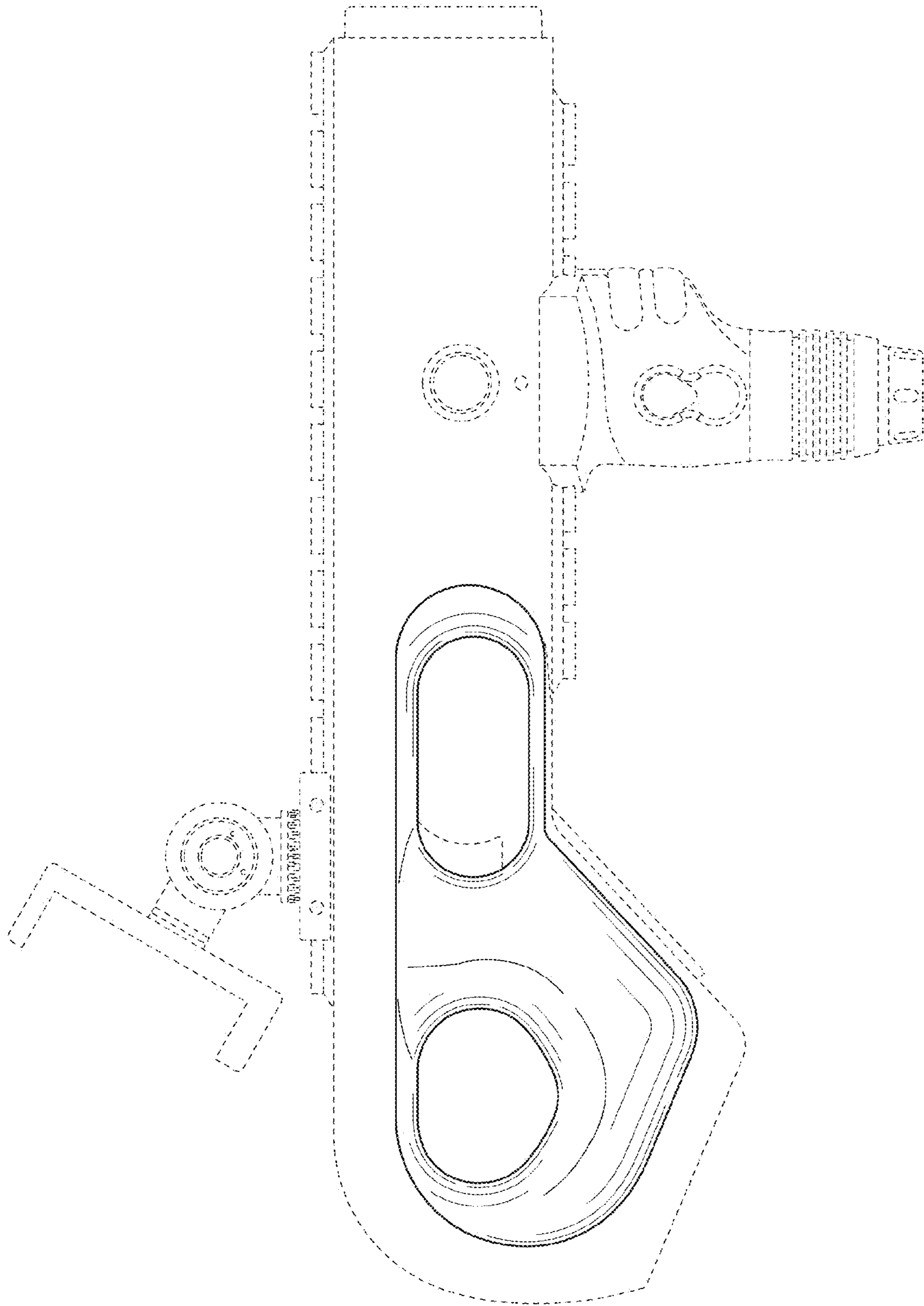


FIG. 3

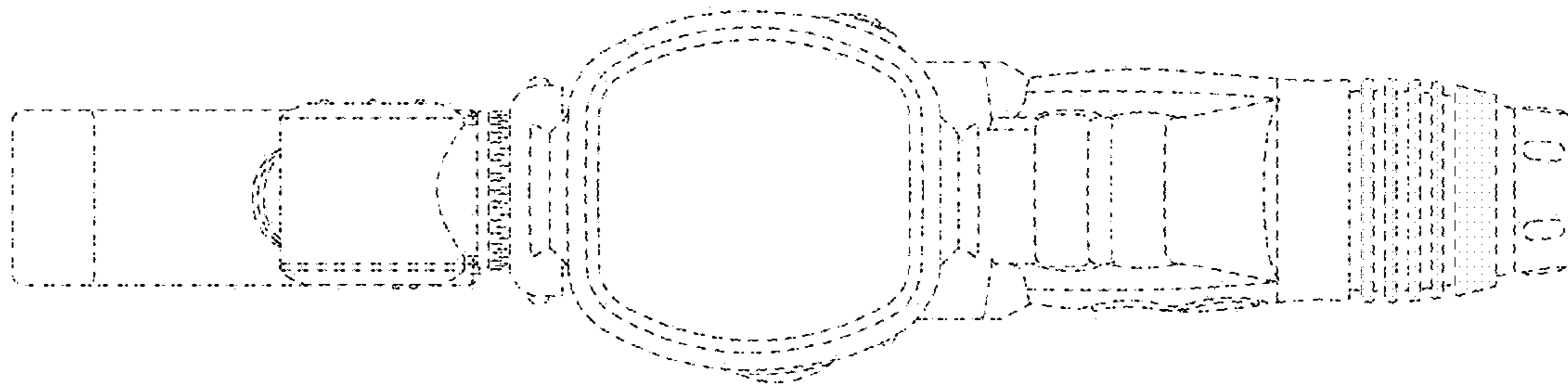


FIG. 5

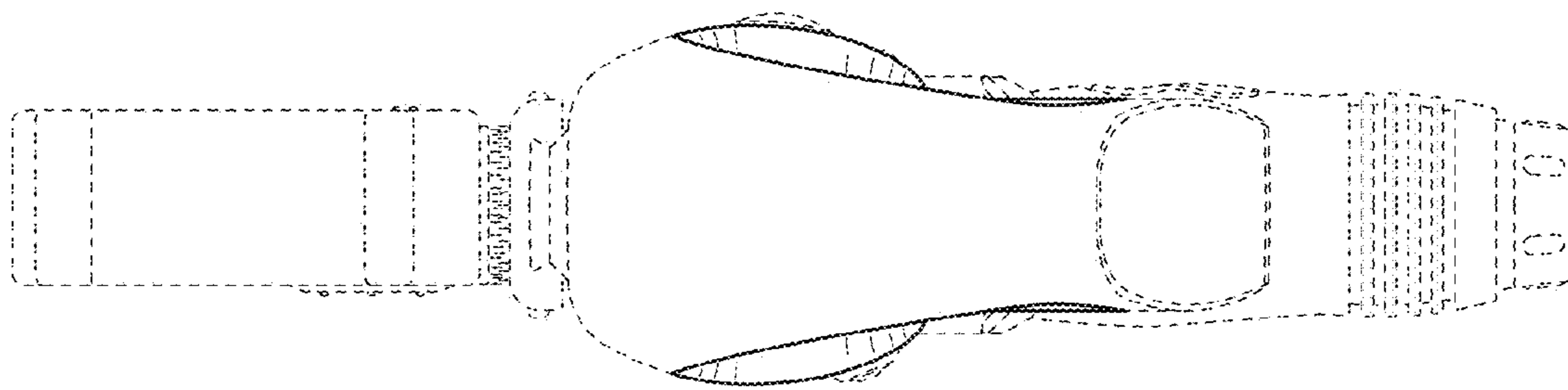


FIG. 4

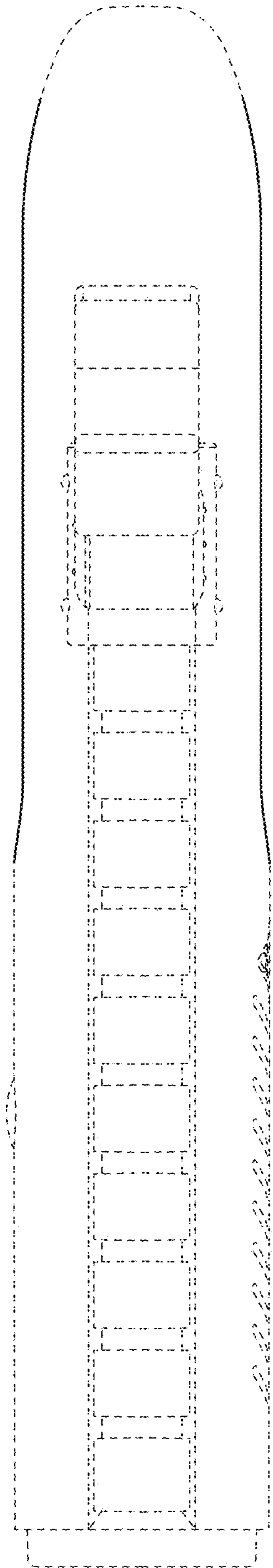


FIG. 6

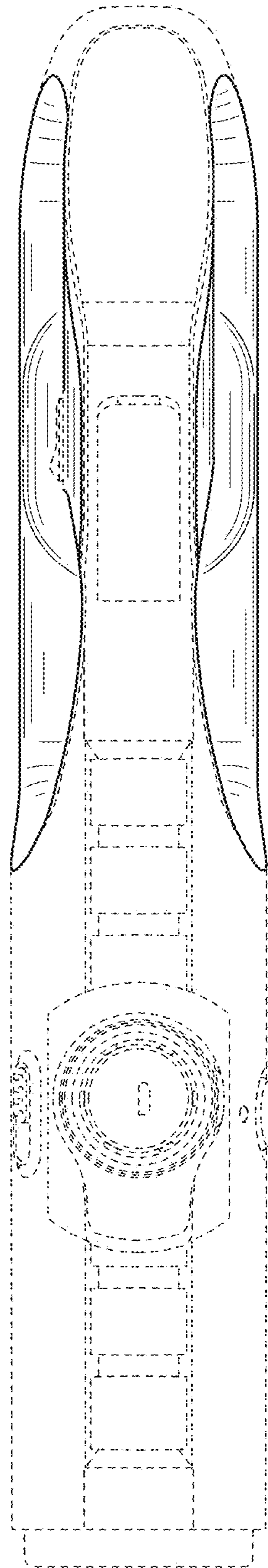


FIG. 7

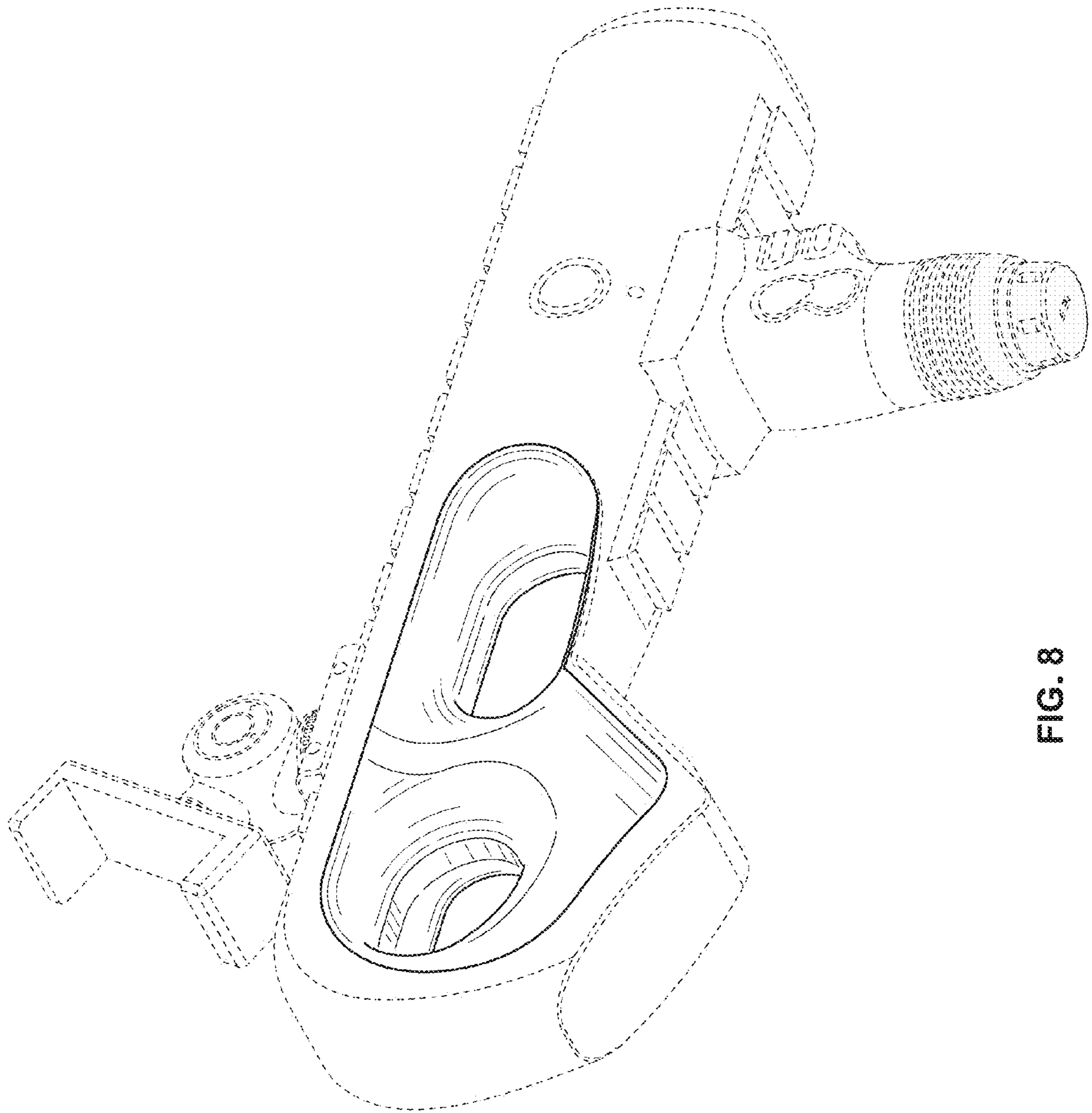


FIG. 8