



US00D905060S

(12) **United States Design Patent**
Tsuchida

(10) **Patent No.:** **US D905,060 S**

(45) **Date of Patent:** **** Dec. 15, 2020**

(54) **GRIP ATTACHMENT**

(71) Applicant: **Taiki Tsuchida**, Yokohama (JP)

(72) Inventor: **Taiki Tsuchida**, Yokohama (JP)

(**) Term: **15 Years**

(21) Appl. No.: **29/629,123**

(22) Filed: **Dec. 11, 2017**

(51) **LOC (12) Cl.** **14-02**

(52) **U.S. Cl.**

USPC **D14/401**

(58) **Field of Classification Search**

USPC D14/400–418, 426–431, 454–455, 203.3,
D14/218, 300, 356, 383, 388, 399, 432,
D14/358; D21/331, 333, 566, 324, 328;
D13/162, 162.1, 168; D10/78, 103

CPC .. A63F 9/02; A63F 9/24; A63F 9/0291; A63F
9/0252; A63F 13/00; A63F 13/23; A63F
13/24; A63F 13/26; A63F 13/98; A63F
13/02; A63F 13/12

See application file for complete search history.

(56) **References Cited**

U.S. PATENT DOCUMENTS

D338,053 S *	8/1993	Underhill	D14/454
D375,531 S *	11/1996	Visser	D14/400
D382,604 S *	8/1997	Visser	D14/400
D417,568 S *	12/1999	Pike	D6/333
D424,512 S *	5/2000	Ho	D13/103
D464,996 S *	10/2002	Hussaini	D21/333
D465,244 S *	11/2002	Hussaini	D21/333
D467,621 S *	12/2002	Ku	D14/454
D470,192 S *	2/2003	Ku	D14/454
D492,294 S *	6/2004	Kim	A63F 13/92
			D14/240
D519,450 S *	4/2006	Lyman	D13/108
D521,567 S *	5/2006	Svensden	D14/401
D548,235 S *	8/2007	Krieger	D14/401
D553,619 S *	10/2007	Mak	D14/401

D572,254 S *	7/2008	Goto	D14/401
D637,236 S *	5/2011	Lum	D14/434
D641,022 S *	7/2011	Dodo	D14/401
D666,250 S *	8/2012	Fulghum	D14/400
D694,830 S *	12/2013	Crowley	D14/401
D700,182 S *	2/2014	Kidakarn	D14/401
D708,615 S *	7/2014	Delrue	D14/401
D709,882 S *	7/2014	Morris	D14/401
D712,970 S *	9/2014	Biheller	D21/330
D723,032 S *	2/2015	Schoenith	D14/401
D733,802 S *	7/2015	Burgess	D14/401

(Continued)

OTHER PUBLICATIONS

Authentic Gamesir F1 Joystick Controller Grip for Cell Phone, FastTech.com, [online], [site visited Jun. 12, 2019]. URL: <https://www.fasttech.com/product/9623719-authentic-gamesir-f1-joystick-controller-grip-for> (Year: 2019).*

(Continued)

Primary Examiner — T Chase Nelson

Assistant Examiner — Jonathan J. Han

(74) *Attorney, Agent, or Firm* — Cohen IP Law Group, PC; Michael N. Cohen

(57) **CLAIM**

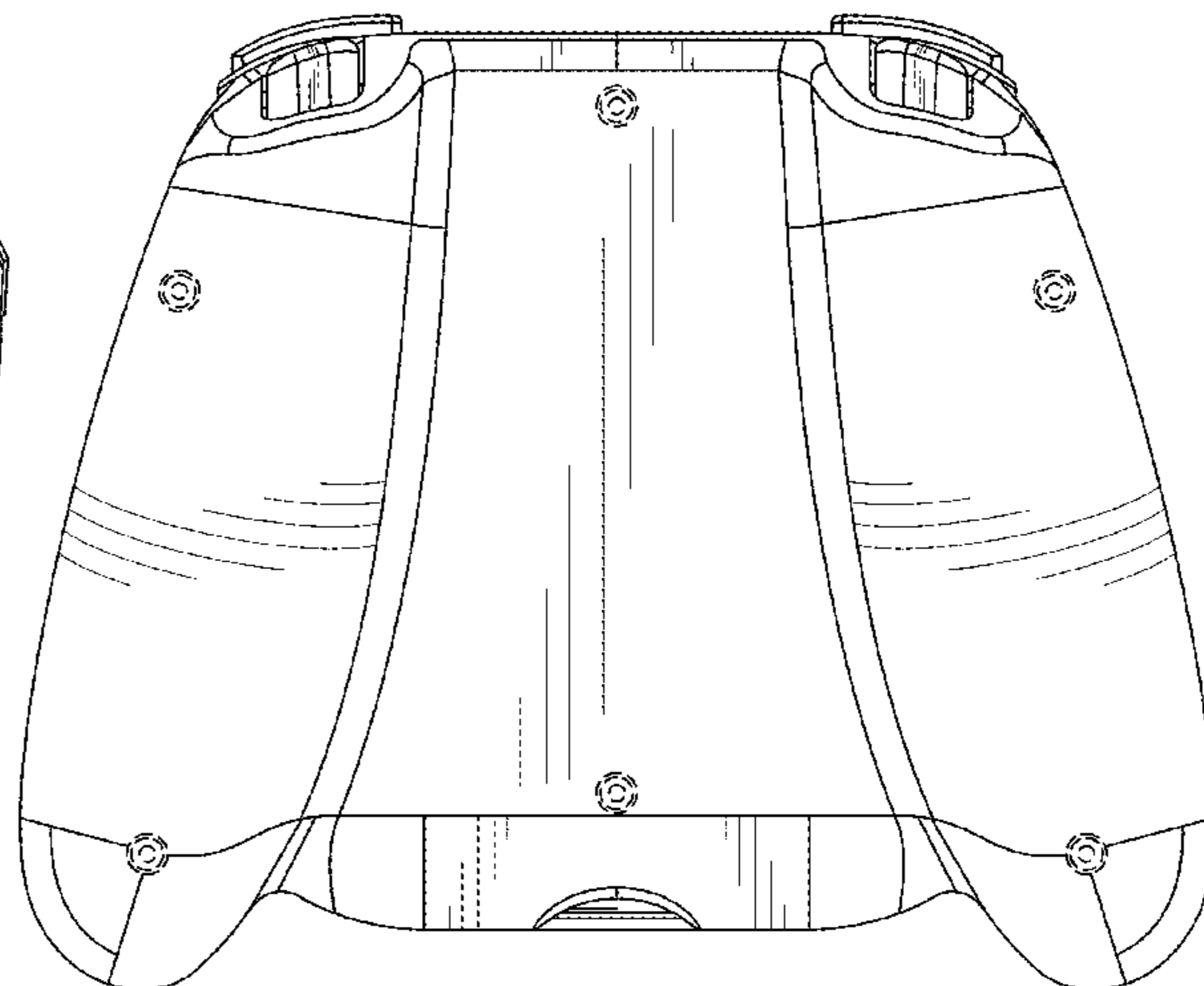
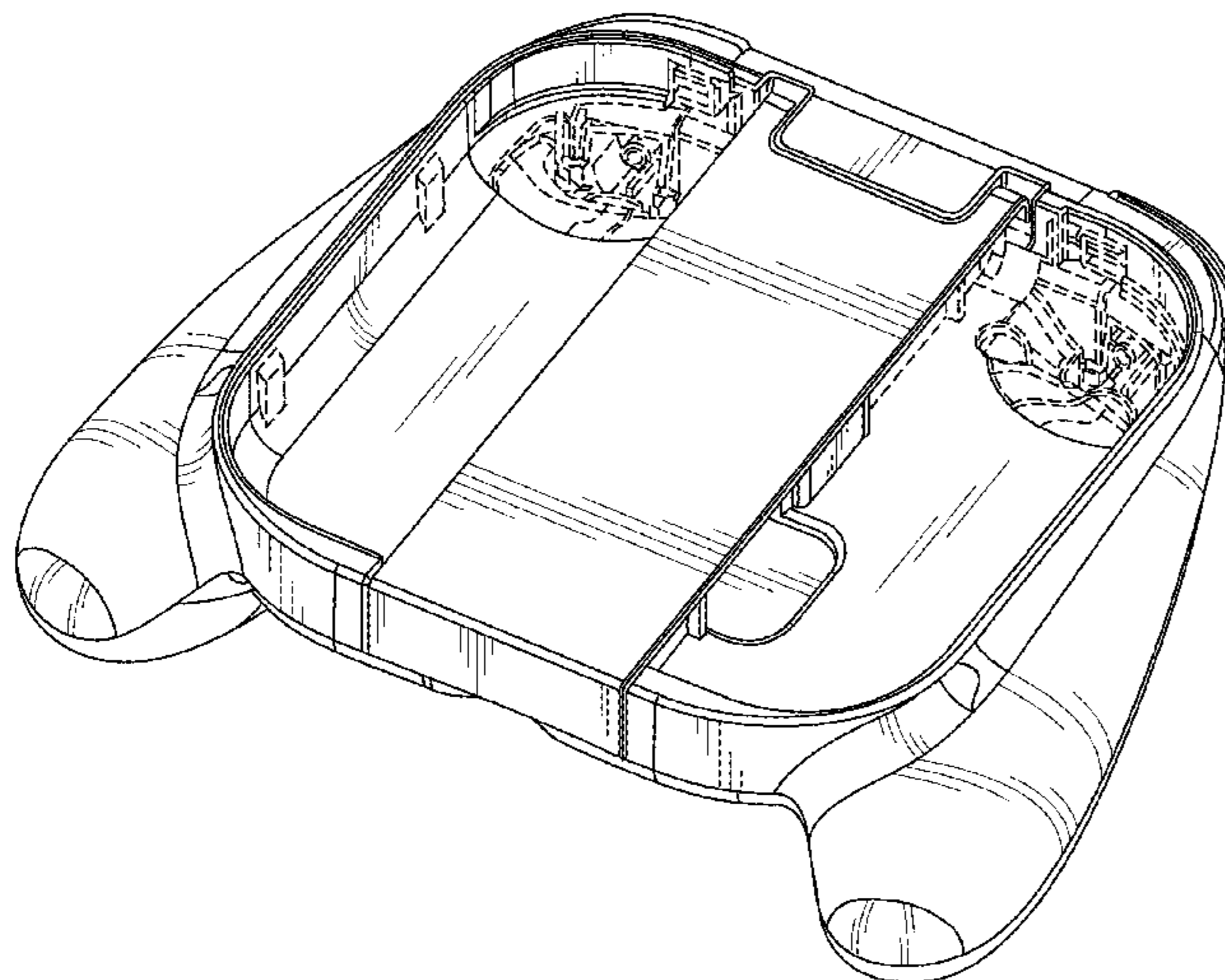
I claim the ornamental design for a grip attachment, as shown and described.

DESCRIPTION

FIG. 1 is a perspective view of the grip attachment; FIG. 2 is a front view of FIG. 1; FIG. 3 is a back view of FIG. 1; FIG. 4 is a left view of FIG. 1; FIG. 5 is a right view of FIG. 1; FIG. 6 is a top view of FIG. 1; and, FIG. 7 is a bottom view of FIG. 1.

The broken lines in the drawings illustrate portions of the grip attachment that form no part of the claimed design.

1 Claim, 7 Drawing Sheets



(56)

References Cited

U.S. PATENT DOCUMENTS

D736,322 S * 8/2015 Navid D14/401
D737,273 S * 8/2015 Schoenith D14/401
D768,786 S * 10/2016 Seflic D14/401
D786,870 S * 5/2017 Coe D14/401
D806,078 S * 12/2017 Goldman D14/401
D808,466 S * 1/2018 Foster D21/333
D816,083 S * 4/2018 Wu D14/401
D819,641 S * 6/2018 Tsuchiya D14/401
D823,945 S * 7/2018 Falc D21/333
D845,893 S * 4/2019 Kim D13/107
D850,447 S * 6/2019 Fulghum D14/401

OTHER PUBLICATIONS

Game controller Case Plastic Hand Grip Handle Stand for Nintendo old 2DS LL XL, NewEgg.com, [online], [site visited Jun. 12, 2019].

URL: <https://www.newegg.com/p/01M-03FZ-00009> (Year: 2019).*

Game Controller Grip, MiniInTheBox.com, [online], [site visited Jun. 12, 2019]. URL: https://www.miniinthebox.com/en/p/wireless-special-purpose-for-cell-phone-quick-installation-wireless_p6560164.html (Year: 2019).*

Extendable Joystick Grip Handle Game Controller PUBG ROS AOV FIFA Mobi, Lelong.com.my, [online], [site visited Jun. 12, 2019]. URL: <https://www.lelong.com.my/extendable-joystick-grip-handle-game-controller-pubg-ros-aov-fifa-nnobi-knncbb2-209057573-2019-10-Sale-P.htm> (Year: 2019).*

* cited by examiner

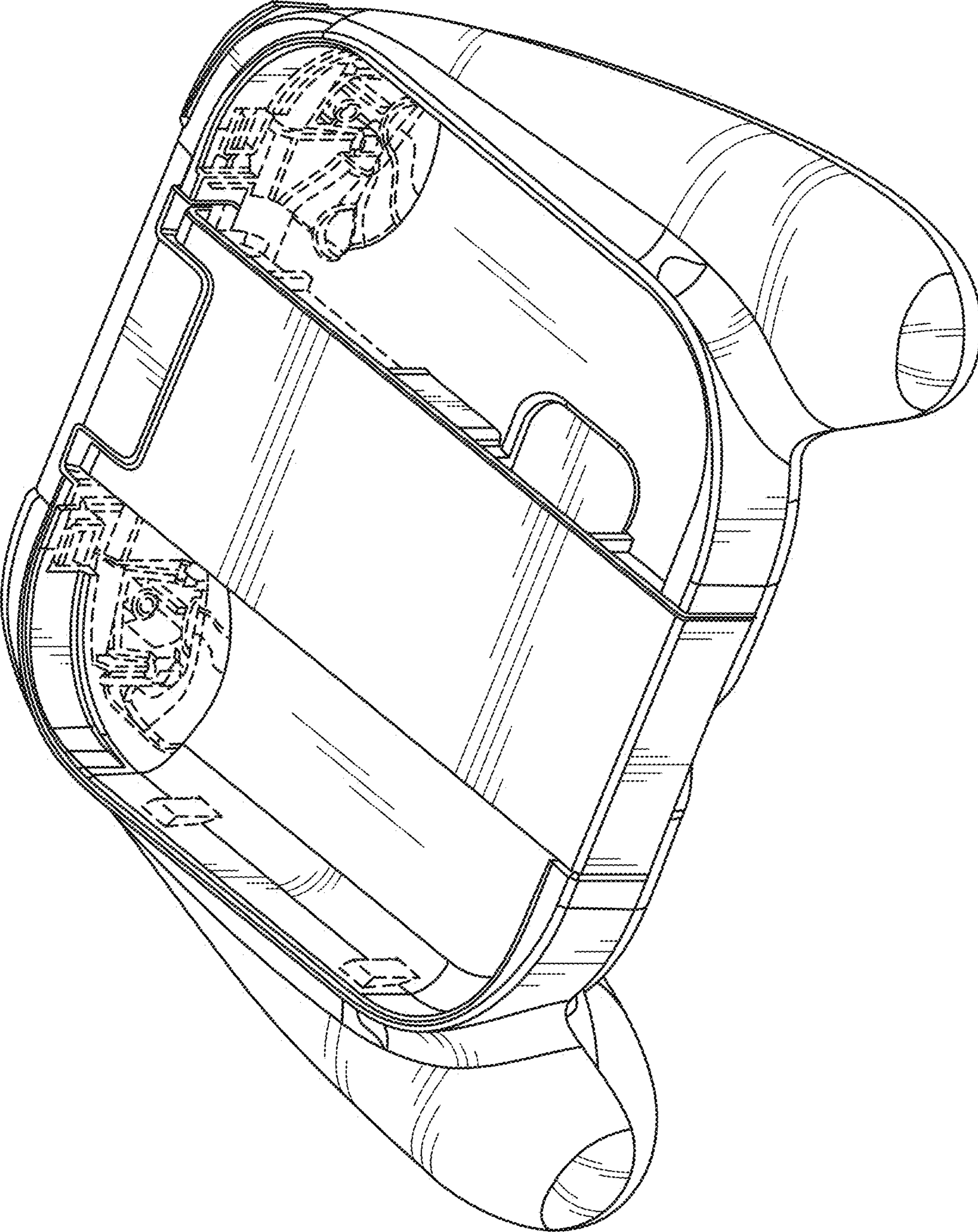


FIG. 1

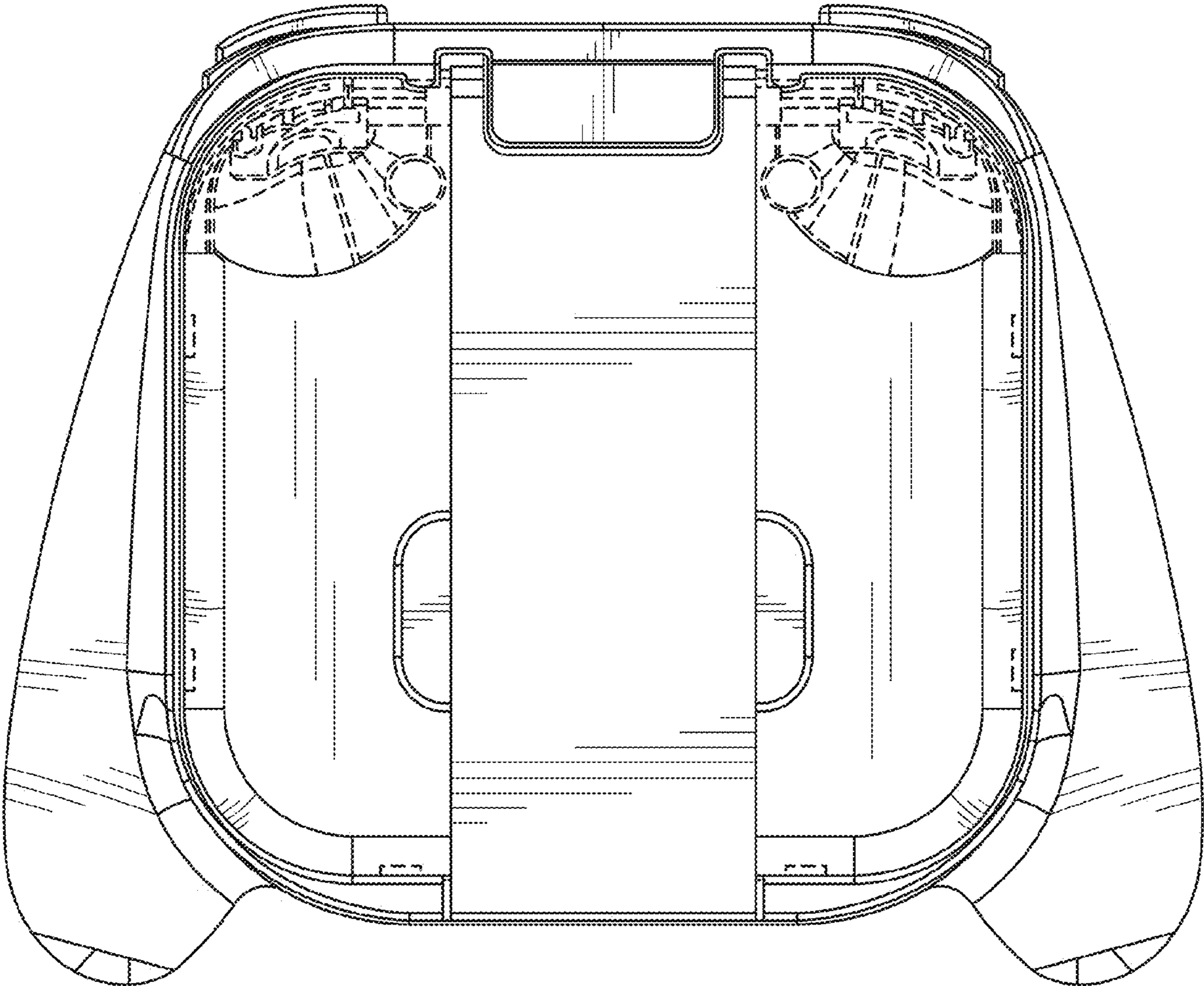


FIG. 2

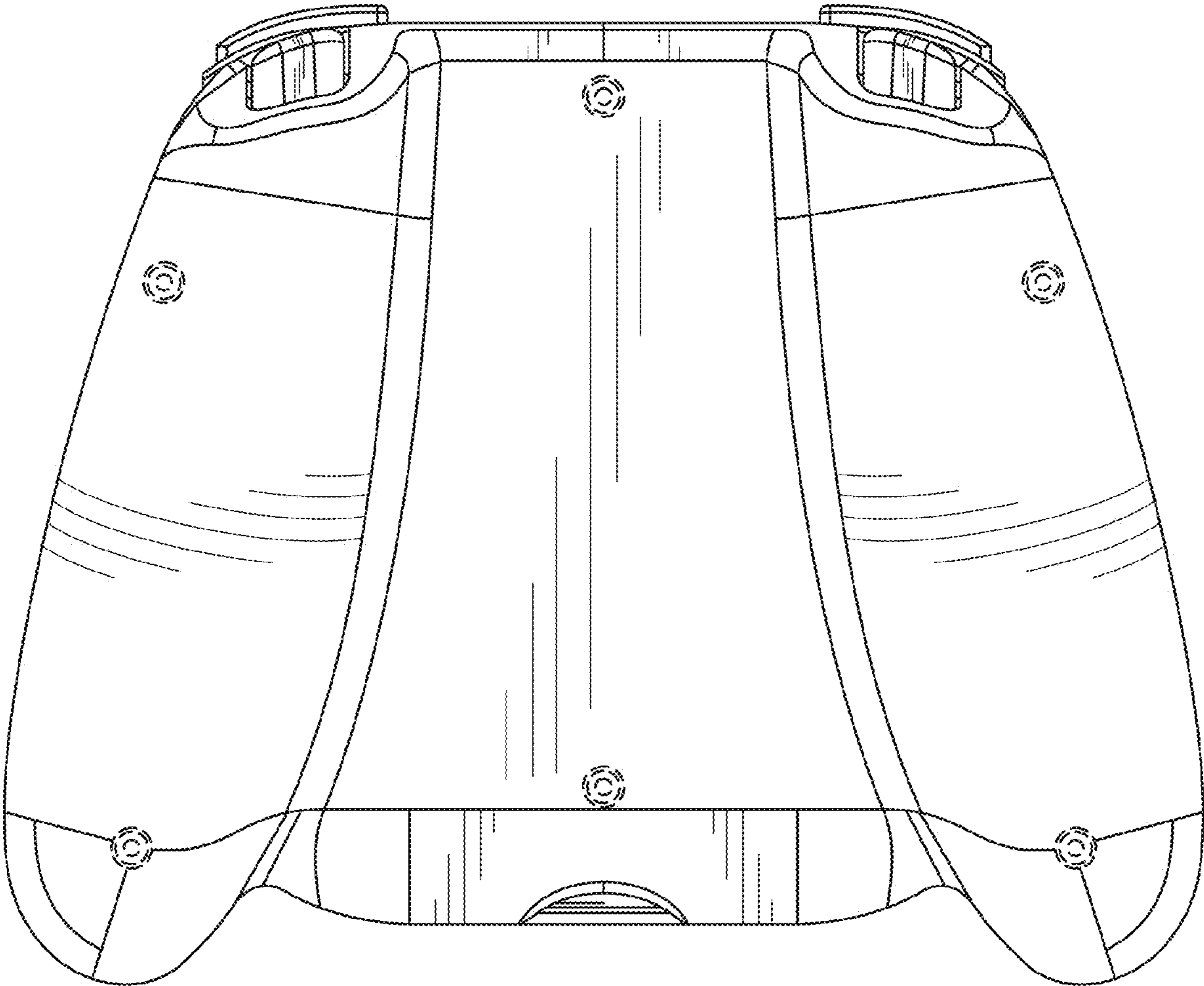


FIG. 3

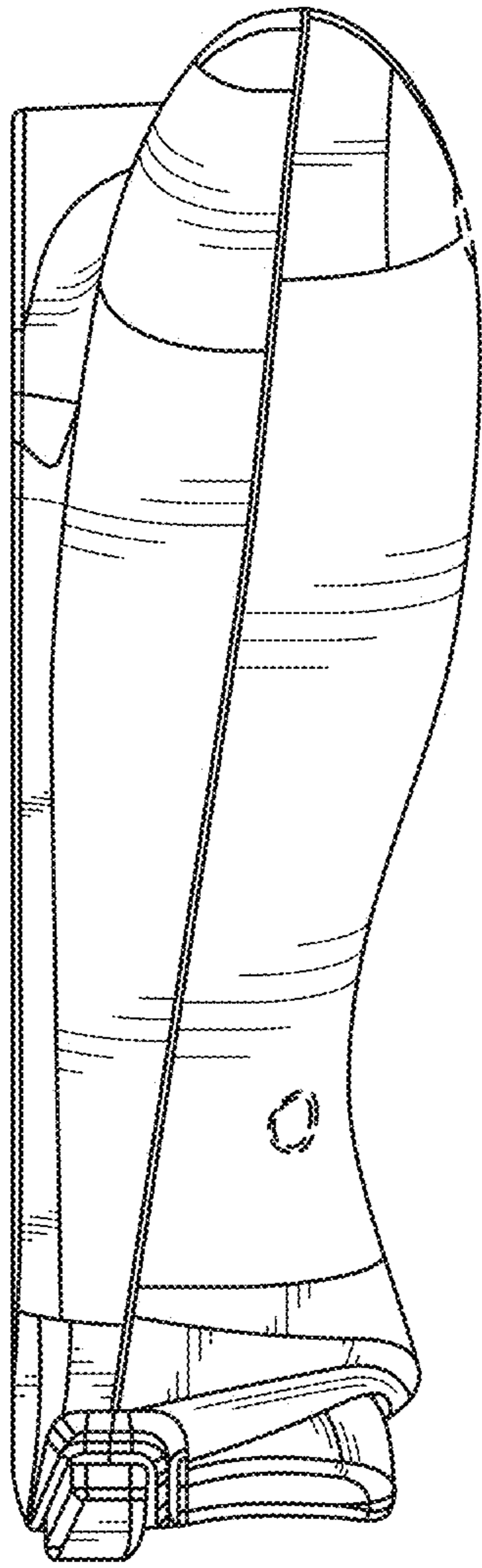


FIG. 4

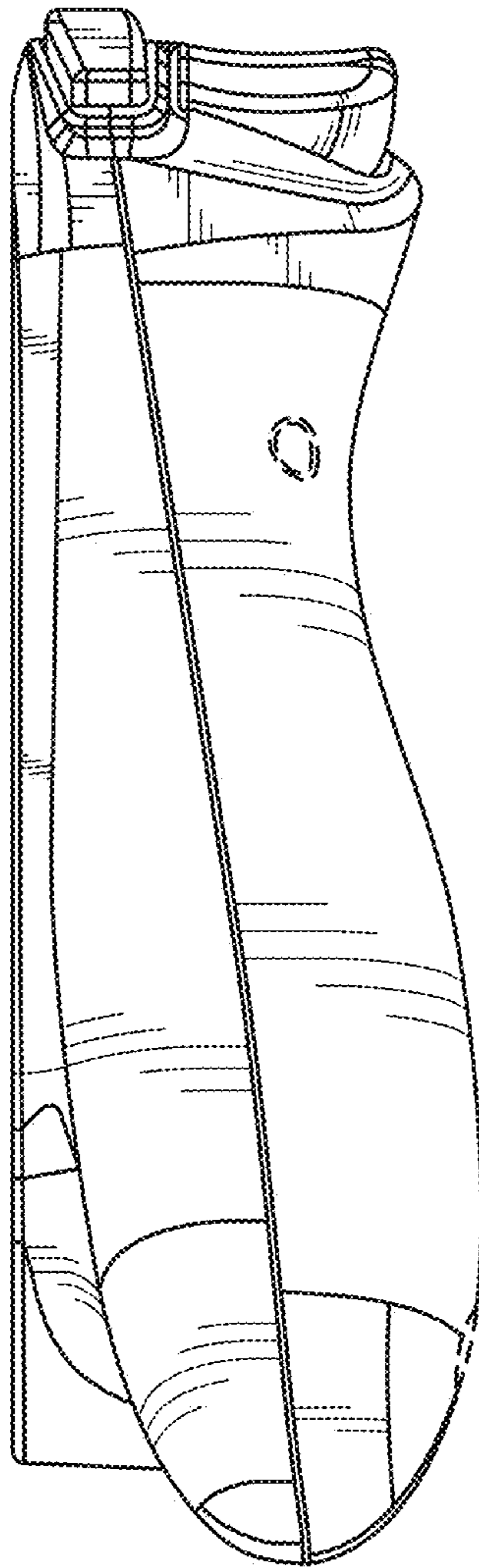


FIG. 5

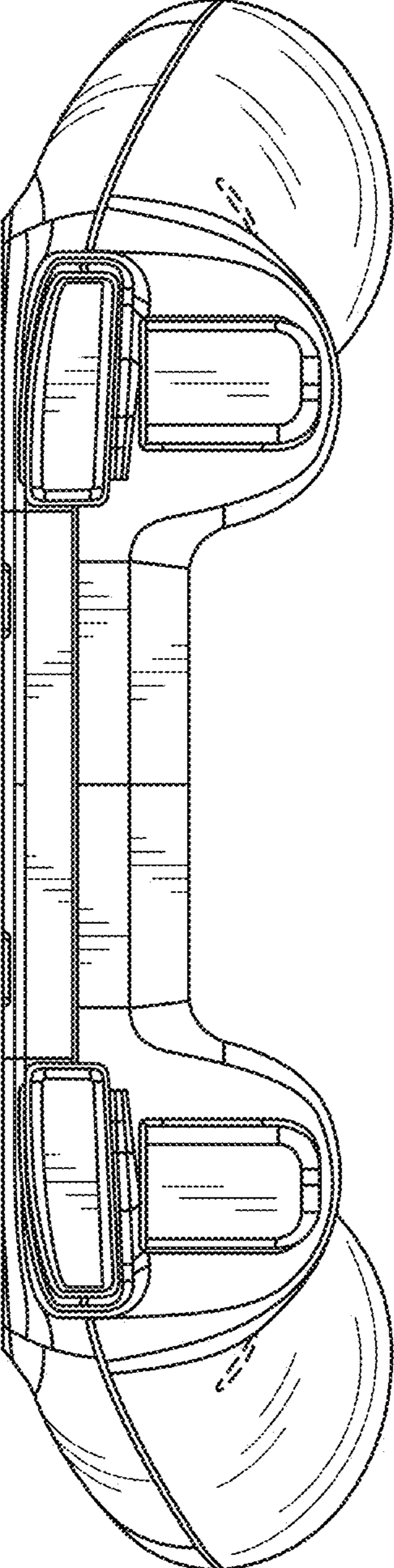


FIG. 6

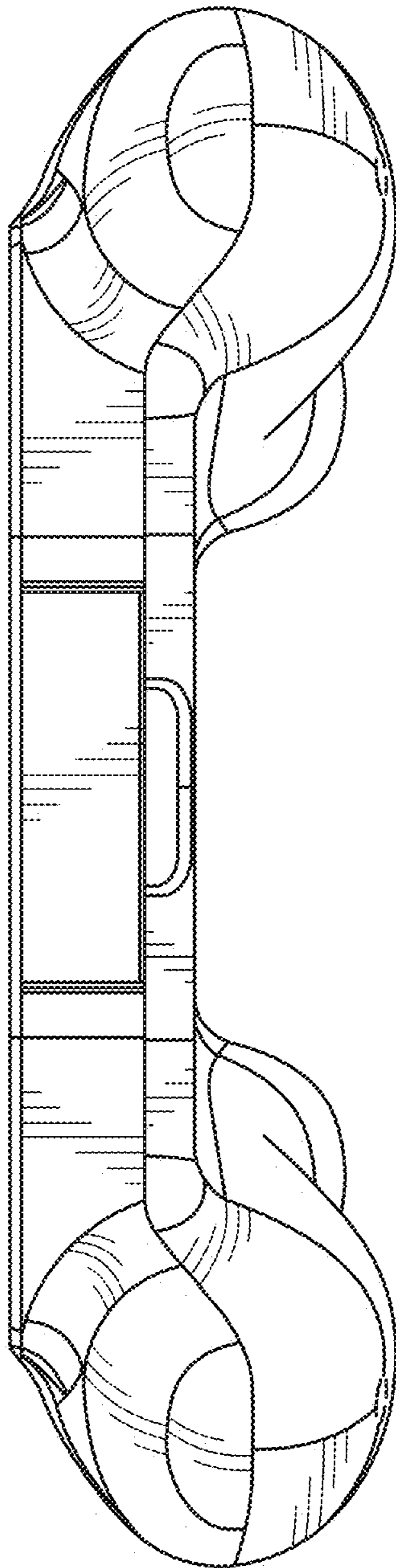


FIG. 7