



US00D905059S

(12) **United States Design Patent** (10) **Patent No.:** **US D905,059 S**
Martin et al. (45) **Date of Patent:** **** Dec. 15, 2020**

(54) **CARD READER DEVICE**
(71) Applicant: **Square, Inc.**, San Francisco, CA (US)
(72) Inventors: **Jeremy Martin**, San Francisco, CA (US); **Mani Razaghi**, San Francisco, CA (US); **Joseph Laucks**, San Francisco, CA (US)
(73) Assignee: **Square, Inc.**, San Francisco, CA (US)

4,399,330 A 8/1983 Kuenzel
4,439,636 A 3/1984 Newkirk et al.
4,591,937 A 5/1986 Nakarai et al.
4,609,957 A 9/1986 Gentet et al.
4,640,986 A 2/1987 Yotsutani et al.
4,675,863 A 6/1987 Paneth et al.
4,677,653 A 6/1987 Weiner et al.
4,727,569 A 2/1988 Kutrieb et al.
4,731,818 A 3/1988 Clark, Jr. et al.
(Continued)

(**) Term: **15 Years**
(21) Appl. No.: **29/657,827**

FOREIGN PATENT DOCUMENTS

CA 2881684 A1 2/2014
CA 2881712 A1 2/2014
(Continued)

(22) Filed: **Jul. 25, 2018**
(51) **LOC (12) Cl.** **14-02**
(52) **U.S. Cl.**
USPC **D14/385**
(58) **Field of Classification Search**
USPC D18/4.4, 4.5, 4.6, 12, 12.1, 12.3;
D14/383, 384, 385, 386, 378, 420, 427,
D14/432-439, 447, 453; D13/107, 108,
D13/133, 146, 147, 152, 154, 156;
235/441, 451, 492, 380, 439, 375
CPC G06K 19/07749; G06K 19/0723; G06K
19/041; G06K 19/07758; G06K 19/0775;
G06K 19/07783; G06K 19/07794; G06K
19/06046; G06K 19/07722; G06K
19/07773; G06K 19/07779; G06K
19/07784; G06K 19/07786; G06K
19/0709

OTHER PUBLICATIONS

Notice of Allowance dated Dec. 19, 2014 for U.S. Appl. No. 13/533,730, of McKelvey, J., filed Jun. 26, 2012.
(Continued)

Primary Examiner — Austin Murphy
(74) *Attorney, Agent, or Firm* — Lee & Hayes, P.C.

(57) **CLAIM**

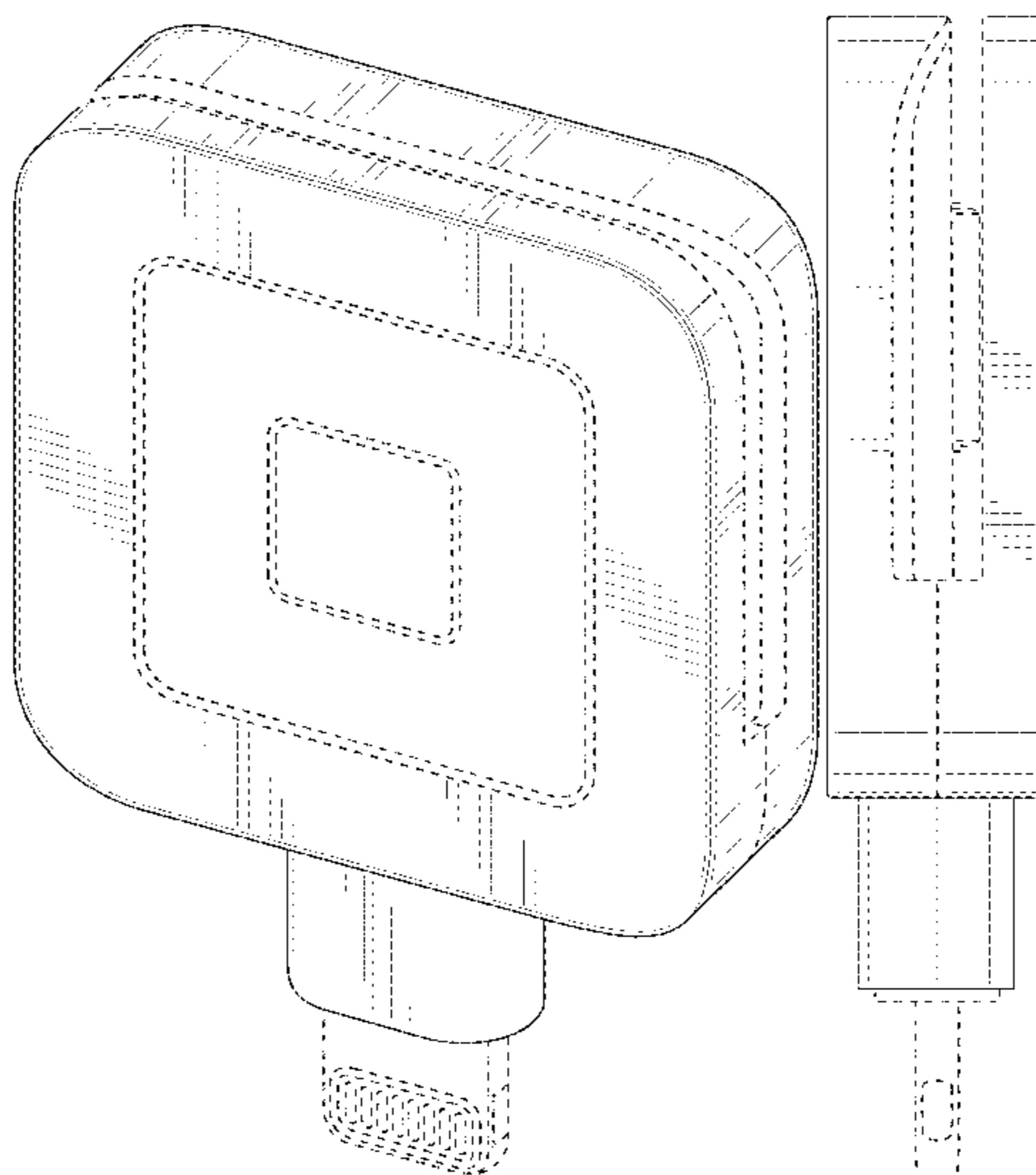
The ornamental design for a card reader device, as shown and described.

DESCRIPTION

FIG. 1 is a front perspective view of a first embodiment of a card reader device;
FIG. 2 is a front perspective view thereof;
FIG. 3 is a back view thereof;
FIG. 4 is a left-side view thereof;
FIG. 5 is a right-side view thereof;
FIG. 6 is a top view thereof; and,
FIG. 7 is a bottom view thereof.
The dashed broken lines depict portions of the card reader device that form no part of the claimed design.

(56) **References Cited**
U.S. PATENT DOCUMENTS
3,435,294 A 3/1969 Lemma
3,573,598 A 4/1971 Clarke et al.
3,854,036 A 10/1974 Gupta et al.
3,906,166 A 9/1975 Cooper et al.
4,035,614 A 7/1977 Frattarola et al.
4,254,441 A 3/1981 Fisher

1 Claim, 7 Drawing Sheets



(56)

References Cited

U.S. PATENT DOCUMENTS

- 4,776,000 A 10/1988 Parienti
4,776,003 A 10/1988 Harris
4,777,646 A 10/1988 Harris
4,788,420 A 11/1988 Chang et al.
4,831,647 A 5/1989 D’Avello et al.
4,845,740 A 7/1989 Tokuyama et al.
4,860,336 A 8/1989 D’Avello et al.
4,860,341 A 8/1989 D’Avello et al.
4,920,562 A 4/1990 Hird et al.
4,965,821 A 10/1990 Bishop et al.
5,060,266 A 10/1991 Dent
5,081,679 A 1/1992 Dent
5,091,811 A 2/1992 Chang
5,091,942 A 2/1992 Dent
5,128,524 A 7/1992 Anglin et al.
5,144,649 A 9/1992 Zicker et al.
5,148,425 A 9/1992 Sakata
5,151,919 A 9/1992 Dent
5,173,597 A 12/1992 Anglin
5,179,724 A 1/1993 Lindoff
5,208,446 A 5/1993 Martinez
5,218,619 A 6/1993 Dent
5,220,593 A 6/1993 Zicker et al.
5,230,003 A 7/1993 Dent et al.
5,233,642 A 8/1993 Renton
5,237,612 A 8/1993 Raith
5,241,592 A 8/1993 Carlson et al.
5,241,689 A 8/1993 Schwed et al.
5,245,610 A 9/1993 Lindell
5,247,160 A 9/1993 Zicker
5,247,564 A 9/1993 Zicker
5,266,789 A 11/1993 Anglin et al.
5,270,523 A 12/1993 Chang et al.
5,321,243 A 6/1994 Groves et al.
5,345,090 A 9/1994 Hludzinski
5,388,148 A 2/1995 Seiderman
5,392,348 A 2/1995 Park et al.
5,408,513 A 4/1995 Busch, Jr. et al.
5,434,395 A 7/1995 Storck et al.
5,434,400 A 7/1995 Scherzer
5,463,678 A 10/1995 Kepley, III et al.
5,541,985 A 7/1996 Ishii et al.
5,589,855 A 12/1996 Blumstein et al.
5,603,078 A 2/1997 Henderson et al.
5,616,904 A 4/1997 Fernadez
5,636,284 A 6/1997 Pritchard
5,679,943 A 10/1997 Schultz et al.
5,729,591 A 3/1998 Bailey
5,764,742 A 6/1998 Howard et al.
5,805,676 A 9/1998 Martino
5,850,599 A 12/1998 Seiderman
5,878,337 A 3/1999 Joao et al.
5,892,900 A 4/1999 Ginter et al.
5,923,019 A 7/1999 Bedell, Jr. et al.
5,945,654 A 8/1999 Huang
5,991,749 A 11/1999 Morrill, Jr.
D417,442 S 12/1999 Butts et al.
6,006,109 A 12/1999 Shin
6,021,944 A 2/2000 Arakaki
6,032,859 A 3/2000 Muehlberger et al.
6,061,666 A 5/2000 Do et al.
6,094,640 A 7/2000 Goheen
6,129,277 A 10/2000 Grant et al.
6,176,429 B1 1/2001 Reddersen et al.
6,234,389 B1 5/2001 Valliani et al.
6,253,998 B1 7/2001 Ziarno
6,259,691 B1 7/2001 Naudus
6,260,026 B1 7/2001 Tomida et al.
6,308,227 B1 10/2001 Kumar et al.
6,363,139 B1 3/2002 Zurek et al.
6,400,517 B1 6/2002 Murao
6,431,445 B1 8/2002 Deland, Jr. et al.
6,463,292 B1 10/2002 Rahman
6,476,743 B1 11/2002 Brown et al.
6,480,356 B1 11/2002 Mos, Sr. et al.
6,481,623 B1 11/2002 Grant et al.
6,497,368 B1 12/2002 Friend et al.
6,536,670 B1 3/2003 Postman et al.
6,579,728 B2 6/2003 Grant et al.
D477,321 S 7/2003 Baughman
6,612,488 B2 9/2003 Suzuki
6,781,781 B2 8/2004 Wood
6,796,500 B1 9/2004 Chen
6,813,608 B1 11/2004 Baranowski
6,832,721 B2 12/2004 Fujll
6,850,147 B2 2/2005 Prokoski et al.
6,868,391 B1 3/2005 Hultgren
6,896,182 B2 5/2005 Sakaguchi
6,944,782 B2 9/2005 Von et al.
7,003,316 B1 2/2006 Elias et al.
7,013,149 B2 3/2006 Vetro et al.
7,149,296 B2 12/2006 Brown et al.
7,163,148 B2 1/2007 Durbin et al.
7,167,711 B1 1/2007 Dennis
7,198,394 B2 4/2007 Blank
7,221,648 B2 5/2007 Das et al.
7,240,836 B2 7/2007 Vrotsos et al.
7,252,232 B2 8/2007 Fernandes et al.
7,309,012 B2 12/2007 Von et al.
7,324,836 B2 1/2008 Steenstra et al.
7,363,054 B2 4/2008 Elias et al.
7,409,234 B2 8/2008 Glezerman
7,424,732 B2 9/2008 Matsumoto et al.
7,433,452 B2 10/2008 Taylor et al.
7,505,762 B2 3/2009 Onyon et al.
7,506,812 B2 3/2009 Von et al.
D590,828 S 4/2009 Sherrod et al.
7,520,430 B1 4/2009 Stewart et al.
7,581,678 B2 9/2009 Narendra et al.
7,600,673 B2 10/2009 Stoutenburg et al.
D607,000 S 12/2009 Cheng et al.
7,703,676 B2 4/2010 Hart et al.
7,708,189 B1 5/2010 Cipriano
7,740,173 B2 6/2010 Mueller et al.
7,757,953 B2 7/2010 Hart et al.
7,793,834 B2 9/2010 Hachey et al.
7,810,729 B2 10/2010 Morley, Jr.
7,869,591 B1 1/2011 Nagel et al.
7,896,248 B2 3/2011 Morley, Jr.
7,918,394 B1 4/2011 Morley, Jr.
7,945,494 B2 5/2011 Williams
8,011,587 B2 9/2011 Johnson et al.
8,015,070 B2 9/2011 Sinha et al.
D653,664 S * 2/2012 Turnbull D14/385
8,231,055 B2 7/2012 Wen
8,235,287 B2 8/2012 Mckelvey
8,297,507 B2 10/2012 Kayani
8,302,860 B2 11/2012 Mckelvey
8,336,771 B2 12/2012 Tsai
D675,618 S 2/2013 Behar et al.
8,376,239 B1 2/2013 Humphrey
D680,537 S 4/2013 Miller et al.
8,413,901 B2 4/2013 Wen
D686,208 S 7/2013 Miller et al.
8,500,010 B1 8/2013 Marcus et al.
8,500,018 B2 8/2013 Mckelvey et al.
8,540,157 B1 9/2013 Templeton
8,553,717 B2 10/2013 Nakatsugawa et al.
8,560,823 B1 10/2013 Aytek et al.
8,571,989 B2 10/2013 Dorsey et al.
8,573,486 B2 11/2013 Mckelvey et al.
8,573,487 B2 11/2013 Mckelvey
8,573,489 B2 11/2013 Dorsey et al.
8,584,946 B2 11/2013 Morley, Jr.
8,584,956 B2 11/2013 Wilson et al.
8,602,305 B2 12/2013 Dorsey et al.
8,612,352 B2 12/2013 Dorsey et al.
8,615,445 B2 12/2013 Dorsey et al.
8,640,953 B2 2/2014 Dorsey et al.
D700,606 S 3/2014 Lo
8,662,389 B2 3/2014 Dorsey et al.
8,678,277 B2 3/2014 Dorsey et al.
8,701,996 B2 4/2014 Dorsey et al.
8,701,997 B2 4/2014 Dorsey et al.

(56)

References Cited

U.S. PATENT DOCUMENTS

2010/0184479 A1 7/2010 Griffin, Jr.
 2010/0222000 A1 9/2010 Sauer et al.
 2010/0237943 A1 9/2010 Kim et al.
 2010/0243732 A1 9/2010 Wallner
 2010/0259363 A1 10/2010 Landt et al.
 2011/0053560 A1 3/2011 Jain et al.
 2011/0084131 A1 4/2011 Mckelvey
 2011/0084139 A1 4/2011 Mckelvey et al.
 2011/0137803 A1 6/2011 Willins
 2011/0161235 A1 6/2011 Beenau et al.
 2011/0174879 A1 7/2011 Morley, Jr.
 2011/0191196 A1 8/2011 Orr et al.
 2011/0198395 A1 8/2011 Chen
 2011/0202463 A1 8/2011 Powell
 2011/0258120 A1 10/2011 Weiss
 2011/0258452 A1 10/2011 Coulier et al.
 2011/0313880 A1 12/2011 Paul et al.
 2012/0008851 A1 1/2012 Pennock et al.
 2012/0011071 A1 1/2012 Pennock et al.
 2012/0012653 A1 1/2012 Johnson et al.
 2012/0016794 A1 1/2012 Orr et al.
 2012/0031969 A1 2/2012 Hammad
 2012/0052910 A1 3/2012 Mu et al.
 2012/0091201 A1 4/2012 Babu et al.
 2012/0097739 A1 4/2012 Babu et al.
 2012/0097740 A1 4/2012 Lamba et al.
 2012/0118956 A1 5/2012 Lamba et al.
 2012/0118960 A1 5/2012 Sather et al.
 2012/0126005 A1 5/2012 Dorsey et al.
 2012/0126006 A1 5/2012 Dorsey et al.
 2012/0126007 A1 5/2012 Lamba et al.
 2012/0126010 A1 5/2012 Babu et al.
 2012/0126011 A1 5/2012 Lamba et al.
 2012/0126012 A1 5/2012 Lamba et al.
 2012/0126013 A1 5/2012 Sather et al.
 2012/0126014 A1 5/2012 Sather et al.
 2012/0130903 A1 5/2012 Dorsey et al.
 2012/0132712 A1 5/2012 Babu et al.
 2012/0138683 A1 6/2012 Sather et al.
 2012/0154561 A1 6/2012 Chari
 2012/0185392 A1 7/2012 Hubbs et al.
 2012/0232980 A1 9/2012 Wald et al.
 2012/0234918 A1 9/2012 Lindsay
 2012/0236845 A1 9/2012 Li et al.
 2012/0246074 A1 9/2012 Annamalai et al.
 2012/0259651 A1 10/2012 Mallon et al.
 2012/0270528 A1 10/2012 Goodman
 2013/0031004 A1 1/2013 Dorsey et al.
 2013/0087614 A1 4/2013 Limtao et al.
 2013/0173475 A1 7/2013 Lund
 2013/0200153 A1 8/2013 Dorsey et al.
 2013/0207481 A1 8/2013 Gobburu et al.
 2013/0254117 A1 9/2013 Von et al.
 2013/0344805 A1 12/2013 Lefley
 2014/0001257 A1 1/2014 Dorsey et al.
 2014/0001263 A1 1/2014 Babu et al.
 2014/0017955 A1 1/2014 Lo et al.
 2014/0061301 A1 3/2014 Cho et al.
 2014/0076964 A1 3/2014 Morley, Jr.
 2014/0097242 A1 4/2014 Mckelvey
 2014/0124576 A1 5/2014 Zhou et al.
 2014/0144983 A1 5/2014 Dorsey et al.
 2014/0169430 A1 6/2014 Nilsson et al.
 2014/0203082 A1 7/2014 Huh

FOREIGN PATENT DOCUMENTS

CA 2919772 A1 2/2015
 EP 0 301 740 A2 2/1989
 EP 0 940 783 A2 9/1999
 EP 1 116 353 A1 7/2001
 EP 1 233 564 A1 8/2002
 EP 2 339 505 A1 6/2011
 EP 2 883 122 A1 6/2015
 EP 2 885 740 A1 6/2015

GB 2383476 A 6/2003
 JP 02-188884 A 7/1990
 JP 04-79430 A 2/1992
 JP 2001-313714 A 11/2001
 JP 2003-108777 A 4/2003
 JP 2004078662 A 3/2004
 JP 2005-267031 A 9/2005
 JP 2005269172 A 9/2005
 JP 1512795 S 12/2014
 JP 5908487 B2 4/2016
 JP 1549035 S 5/2016
 JP 1554788 S 7/2016
 KR 1020040010928 B1 2/2004
 KR 1020050077659 A 8/2005
 KR 1020080039330 A 5/2008
 WO 96/22639 A1 7/1996
 WO 98/48522 A1 10/1998
 WO 2001/61973 A1 8/2001
 WO 01/65827 A2 9/2001
 WO 02/084548 A1 10/2002
 WO 2007/084896 A2 7/2007
 WO 2010/097711 A2 9/2010
 WO 2010/111130 A2 9/2010
 WO 2010/135174 A1 11/2010
 WO 2013/074487 A1 5/2013
 WO 2014/031493 A1 2/2014
 WO 2015/020763 A1 2/2015
 WO 2015/187719 A1 12/2015

OTHER PUBLICATIONS

Notice of Allowance dated Dec. 24, 2014 for U.S. Appl. No. 13/010,976, of Babu, A. et al., filed Jan. 21, 2011.
 Notice of Allowance dated Feb. 10, 2016, for U.S. Appl. No. 14/671,798 of Templeton, T., et al., filed Mar. 27, 2015.
 Notice of Allowance dated Jun. 9, 2015 for Design U.S. Appl. No. 29/487,975, of Weber T. et al., filed Apr. 14, 2014.
 Notice of Allowance dated Feb. 17, 2015, for U.S. Appl. No. 14/313,882 of Templeton, T., et al. filed Jun. 24, 2014.
 Notice of Allowance dated Feb. 22, 2016, for Japanese Patent Application No. 2013-533895, filed Oct. 7, 2011.
 Notice of Allowance dated Feb. 11, 2016 for U.S. Appl. No. 14/714,444, of Templeton T. et al., filed May 18, 2015.
 Notice of Allowance dated Feb. 19, 2016 for U.S. Appl. No. 14/295,186, of Post D. et al., filed Jun. 3, 2014.
 Notice of Allowance dated Jan. 9, 2014, for U.S. Appl. No. 14/032,826 of Templeton, T., filed Sep. 20, 2013.
 Notice of Allowance dated Jan. 5, 2016, for Canadian Patent Application No. 2,812,251, filed Oct. 7, 2011.
 Notice of Allowance dated Jan. 12, 2015 for U.S. Appl. No. 14/057,322, of Templeton T. et al., filed Oct. 18, 2013.
 Notice of Allowance dated Jan. 22, 2007, for U.S. Appl. No. 10/831,276 of Vrotsos D. G., et al. filed Apr. 23, 2004.
 Notice of Allowance dated Jul. 31, 2013, for U.S. Appl. No. 13/589,518 of Templeton, T. filed Aug. 20, 2012.
 Notice of Allowance dated Jul. 1, 2014 for U.S. Appl. No. 13/043,258, of McKelvey, J., filed Mar. 8, 2011.
 Notice of Allowance dated Jul. 9, 2013 for U.S. Appl. No. 13/043,203, of McKelvey, J., filed Mar. 8, 2011.
 Notice of Allowance dated Jul. 15, 2014 for U.S. Appl. No. 13/043,263, of McKelvey, J., filed Mar. 8, 2011.
 Notice of Allowance dated Jul. 18, 2012 for U.S. Appl. No. 13/043,268, of McKelvey, J., filed Mar. 8, 2011.
 Notice of Allowance dated Jul. 30, 2014 for U.S. Appl. No. 14/052,009, of Wilson, M., et al, filed Oct. 11, 2013.
 Notice of Allowance dated Jul. 31, 2014 for U.S. Appl. No. 13/942,334, of McKelvey, J. et al., filed Jul. 15, 2013.
 Notice of Allowance dated Jun. 15, 2015, for U.S. Appl. No. 13/584,710 of Lamba, K. filed Aug. 13, 2012.
 Notice of Allowance dated Jun. 12, 2012 for U.S. Appl. No. 13/043,270, of McKelvey, J., filed Mar. 8, 2011.
 Notice of Allowance dated Jun. 24, 2014 for U.S. Appl. No. 13/005,822, of McKelvey, J., et al., filed Jan. 13, 2011.

(56)

References Cited

OTHER PUBLICATIONS

Notice of Allowance dated Mar. 31, 2015, for U.S. Appl. No. 13/298,540, of Sather, E.J.P., et al., filed Nov. 17, 2011.

Notice of Allowance dated Mar. 18, 2014 for U.S. Appl. No. 13/533,730, of McKelvey, J., filed Jun. 26, 2012.

Notice of Allowance dated Mar. 22, 2017 for U.S. Appl. No. 15/187,412, of Dan P. et al., filed Jun. 20, 2016.

Notice of Allowance dated May 2, 2014, for U.S. Appl. No. 13/961,572, of Templeton, T., et al., filed Aug. 7, 2013.

Notice of Allowance dated Nov. 25, 2014 for U.S. Appl. No. 14/231,598 of Wade J_ et al., filed Mar. 31, 2014.

Notice of Allowance dated Oct. 10, 2013 for U.S. Appl. No. 12/903,753, of Mckelvey, J., filed Oct. 13, 2010.

Notice of Allowance dated Oct. 13, 2016, for U.S. Appl. No. 15/161,891 of Templeton, T., et al., filed May 23, 2016.

Notice of Allowance dated Oct. 17, 2014 for U.S. Appl. No. 14/220,967 of Wade J. et al., filed Mar. 20, 2014.

Ex Parte Quayle Action dated Jun. 2, 2016, for U.S. Appl. No. 13/298,496 of Sather, et al., filed Nov. 17, 2011.

Adisory Action dated Mar. 22, 2016, for U.S. Appl. No. 13/298,496 of Sather, et al., filed Nov. 17, 2011.

Advisory Action dated Aug. 1, 2012 for U.S. Appl. No. 13/043,203, of McKelvey, J., filed Mar. 8, 2011.

Advisory Action dated Aug. 15, 2012 for U.S. Appl. No. 13/043,258, of McKelvey, J., filed Mar. 8, 2011.

Advisory Action dated Aug. 16, 2012 for U.S. Appl. No. 13/043,263, of McKelvey, J., filed Mar. 8, 2011.

Advisory Action dated Aug. 17, 2012 for U.S. Appl. No. 13/005,822, of McKelvey, J., et al., filed Jan. 13, 2011.

Advisory Action dated Aug. 24, 2012 for U.S. Appl. No. 13/010,976, of Babu, A. et al., filed Jan. 21, 2011.

Advisory Action dated Nov. 8, 2013 for U.S. Appl. No. 13/043,263, of McKelvey, J., filed Mar. 8, 2011.

Advisory Action dated Oct. 21, 2013 for U.S. Appl. No. 13/298,560 of Lamba K. et al., filed Nov. 17, 2011.

Advisory Action dated Oct. 22, 2013 for U.S. Appl. No. 13/298,487, of Lamba K. et al., filed Nov. 17, 2011.

Advisory Action dated Oct. 22, 2013 for U.S. Appl. No. 13/298,491, of Lamba K. et al., filed Nov. 17, 2011.

Advisory Action dated Oct. 29, 2013 for U.S. Appl. No. 13/298,484, of Babu A. et al., filed Nov. 17, 2011.

Notice of Acceptance for Australian Patent Application No. 2014305686, dated Mar. 17, 2016.

Examiner Requisition for Canadian Patent Application No. 2,881,684 dated Apr. 13, 2017.

Examiner Requisition for Canadian Patent Application No. 2,881,684 dated May 2, 2016.

Examiner Requisition for Canadian Patent Application No. 2,881,712 dated Apr. 6, 2016.

Examiner Requisition for Canadian Patent Application No. 2,881,712 dated Dec. 6, 2016.

Examiner Requisition for Canadian Patent Application No. 2,881,712 dated Nov. 16, 2017.

Examiner Requisition for Canadian Patent Application No. 2,881,712 dated Nov. 30, 2018.

Examination Report dated Jan. 27, 2015, in Canadian Patent Application No. 2,812,251, of Mckelvey, J.M., et al., filed Mar. 21, 2013.

Non-Final Office Action dated Apr. 29, 2013 for U.S. Appl. No. 13/298,487, of Lamba K. et al., filed Nov. 17, 2011.

Non-Final office Action dated Apr. 30, 2013 for U.S. Appl. No. 13/043,203, of McKelvey, J., filed Mar. 8, 2011.

Non-Final Office Action dated Aug. 4, 2015, for U.S. Appl. No. 13/298,520, of Sather, E.J.P., et al., filed Nov. 17, 2011.

Non-Final Office Action dated Aug. 13, 2014 for U.S. Appl. No. 13/298,557 of Dorsey J. et al., filed Nov. 17, 2011.

Non-Final Office Action dated Aug. 15, 2014 for U.S. Appl. No. 13/010,976, of Babu, A. et al., filed Jan. 21, 2011.

Non-Final Office Action dated Aug. 21, 2014 for U.S. Appl. No. 13/298,487, of Lamba K. et al., filed Nov. 17, 2011.

Non-Final Office Action dated Aug. 28, 2015 for U.S. Appl. No. 14/295,186, of Post D. et al., filed Jun. 3, 2014.

Non-Final Office Action dated Aug. 29, 2016, for U.S. Appl. No. 15/161,891 of Templeton, T., et al., filed May 23, 2016.

Non-Final Office Action dated Dec. 10, 2013 for U.S. Appl. No. 13/005,822, of McKelvey, J., et al., filed Jan. 13, 2011.

Non-Final office Action dated Dec. 11, 2013 for U.S. Appl. No. 13/043,258, of McKelvey, J., filed Mar. 8, 2011.

Non-Final Office Action dated Feb. 9, 2015 for U.S. Appl. No. 14/295,186, of Post D. et al., filed Jun. 3, 2014.

Non-Final Office Action dated Feb. 20, 2015 for U.S. Appl. No. 14/512,104 of Templeton T. et al., filed Oct. 10, 2014.

Non-Final Office Action dated Feb. 24, 2014 for U.S. Appl. No. 13/043,263, of McKelvey, J., filed Mar. 8, 2011.

Non-Final Office action dated Jan. 2, 2015, for U.S. Appl. No. 13/584,710 of Lamba, K. filed Aug. 13, 2012.

Non-Final Office Action dated Jan. 8, 2015 for U.S. Appl. No. 13/298,564 of Dorsey J_ et al., filed Nov. 17, 2011.

Non-Final office Action dated Jan. 20, 2015 for U.S. Appl. No. 14/012,655, of McKelvey, J., filed Aug. 28, 2013.

Non-Final Office Action dated Jul. 30, 2015, for U.S. Appl. No. 13/298,540, of Sather, E.J.P., et al., filed Nov. 17, 2011.

Non-Final Office Action dated Jul. 8, 2013 for U.S. Appl. No. 12/903,753, of Mckelvey, J., filed Oct. 13, 2010.

Non-Final Office Action dated Jul. 9, 2014 for U.S. Appl. No. 13/298,484, of Babu A. et al., filed Nov. 17, 2011.

Non-Final Office Action dated Jul. 14, 2014 for U.S. Appl. No. 13/298,525 of Dorsey J. et al., filed Nov. 17, 2011.

Non-Final Office Action dated Jul. 17, 2014 for U.S. Appl. No. 13/298,491, of Lamba K. et al., filed Nov. 17, 2011.

Non-Final Office Action dated Jul. 19, 2012 for U.S. Appl. No. 12/903,758, of Wilson, M., et al, filed Oct. 13, 2010.

Non-Final Office Action dated Jul. 21, 2014 for U.S. Appl. No. 14/057,322, of Templeton T. et al., filed Oct. 18, 2013.

Non-Final Office Action dated Jul. 22, 2014 for U.S. Appl. No. 13/298,560 of Lamba K. et al., filed Nov. 17, 2011.

Non-Final Office Action dated Jun. 4, 2015, for U.S. Appl. No. 13/298,511, of Sather, E.J.P., et al., filed Nov. 17, 2011.

Non-Final Office Action dated Jun. 6, 2014 for U.S. Appl. No. 14/231,598 of Wade J. et al., filed Mar. 31, 2014.

Non-Final Office Action dated Jun. 13, 2013 for U.S. Appl. No. 13/298,557 of Dorsey J_ et al., filed Nov. 17, 2011.

Non-Final Office action dated Jun. 15, 2006, for U.S. Appl. No. 10/831,276 of Vrotsos D. G., et al. filed Apr. 23, 2004.

Non-Final Office Action dated Jun. 18, 2013 for U.S. Appl. No. 13/005,822, of McKelvey, J., et al., filed Jan. 13, 2011.

Non-Final Office Action dated Mar. 23, 2015 for U.S. Appl. No. 13/298,525 of Dorsey J_ et al., filed Nov. 17, 2011.

Non-Final Office Action dated Mar. 27, 2015 for U.S. Appl. No. 14/177,201 of Templeton T. et al., filed Feb. 10, 2014.

Non-Final Office Action dated May 1, 2013 for U.S. Appl. No. 13/298,484, of Babu A. et al., filed Nov. 17, 2011.

Non-Final Office Action dated May 28, 2013 for U.S. Appl. No. 13/298,560 of Lamba K. et al., filed Nov. 17, 2011.

Non-Final Office action dated Nov. 9, 2012, for U.S. Appl. No. 13/589,518 of Templeton, T. filed Aug. 20, 2012.

Non-Final Office Action dated Nov. 12, 2015 for U.S. Appl. No. 14/714,444, of Templeton T. et al., filed May 18, 2015.

Non-Final Office Action dated Nov. 12, 2015 for U.S. Appl. No. 15/187,412, of Dan P. et al., filed Jun. 20, 2016.

Non-Final Office Action dated Nov. 13, 2013 for U.S. Appl. No. 13/533,730, of McKelvey, J., filed Jun. 26, 2012.

Non-Final office Action dated Nov. 20, 2012 for U.S. Appl. No. 13/012,495, of McKelvey, J_ et al., filed Jan. 24, 2011.

Non-Final Office Action dated Nov. 21, 2013 for U.S. Appl. No. 14/052,009, of Wilson, M., et al, filed Oct. 11, 2013.

Non-Final Office Action dated Oct. 1, 2014, for U.S. Appl. No. 13/298,545, of Sather, E.J.P., et al., filed Nov. 17, 2011.

Non-Final Office Action dated Oct. 2, 2014, for U.S. Appl. No. 13/298,514, of Sather, E.J.P., et al., filed Nov. 17, 2011.

Non-Final Office Action dated Oct. 3, 2014, for U.S. Appl. No. 13/298,540, of Sather, E.J.P., et al., filed Nov. 17, 2011.

(56)

References Cited

OTHER PUBLICATIONS

- Non-Final Office action dated Oct. 30, 2014, for U.S. Appl. No. 14/313,882 of Templeton, T., et al. filed Jun. 24, 2014.
- Non-Final Office Action dated Oct. 9, 2014, for U.S. Appl. No. 13/298,520, of Sather, E.J., et al., filed Nov. 17, 2011.
- Non-Final Office Action dated Oct. 4, 2012 for U.S. Appl. No. 13/533,730, of McKelvey, J., filed Jun. 26, 2012.
- Non-Final office Action dated Oct. 7, 2011 for U.S. Appl. No. 13/043,258, of McKelvey, J., filed Mar. 8, 2011.
- Non-Final Office Action dated Oct. 7, 2011 for U.S. Appl. No. 13/043,268, of McKelvey, J., filed Mar. 8, 2011.
- Non-Final Office Action dated Oct. 7, 2011 for U.S. Appl. No. 13/043,270, of McKelvey, J., filed Mar. 8, 2011.
- Non-Final Office Action dated Oct. 7, 2014 for U.S. Appl. No. 13/298,534 of Lamba K. et al., filed Nov. 17, 2011.
- Examination report for CA Design Application No. 185694 dated Jan. 10, 2020.
- Notice of Allowance for Canadian Patent Application No. 2,919,772, dated Mar. 15, 2016.
- Notification to Grant Patent Right for CN Design Application No. 2019300317655 dated Sep. 3, 2019.
- Certificate of Patent for CN Design Application No. 2019300317655 mailed Nov. 29, 2019.
- Examination report for EP Application No. 13759335.6 dated Jun. 7, 2017.
- Examination report for EP Application No. 13830605.5 dated Aug. 4, 2017.
- Examination report for EP Application No. 13830605.5 dated Nov. 21, 2016.
- Examination report for EP Application No. 13830605.5 dated Sep. 14, 2018.
- Examination report for EP Application No. 14834479.9 dated Mar. 26, 2018.
- Examination Report dated Mar. 16, 2015, for European Patent Application No. 11 833 169.3, of Mckelvey, J.M., et al., filed Oct. 7, 2011.
- Decision to grant for EP Application No. 13759335.6 dated Nov. 29, 2018.
- “Universal asynchronous receiver-transmitter—Wikipedia,” XP055589572, Retrieved from the Internet: URL:https://en.wikipedia.org/w/index.php?title=Universal_asynchronous_receivertransmitter&oldid=561779013, Jun. 27, 2013.
- European search report for EP Application No. 13830605.5 dated Feb. 18, 2016.
- European search report for EP Application No. 14834479.9 dated Mar. 21, 2017.
- European Search Report for European Application No. 11 833 169.3, dated Apr. 17, 2014.
- Intention to grant for EP Application No. 13759335.6 dated Jul. 16, 2018.
- Intention to grant for EP Application No. 138306055 dated Jul. 23, 2019.
- Summons to attend oral proceedings for EP Application No. 14834479.9 mailed Jun. 18, 2019.
- Supplementary European Search Report for European Application No. 11 833 169.3, dated Apr. 17, 2014.
- International Search Report and Written Opinion for International Application No. PCT/US2010/052481, dated Jun. 23, 2011.
- International Search Report and Written Opinion for International Application No. PCT/US2010/052483, dated Jun. 10, 2011.
- International Search Report and Written Opinion for International Application No. PCT/US2011/055375, dated Mar. 2, 2012.
- International Search Report and Written Opinion for International Application No. PCT/US2012/064760, dated Feb. 28, 2013.
- International Search Report and Written Opinion for International Application No. PCT/US2012/064767, dated May 2, 2013.
- International Search Report and Written Opinion for International Application No. PCT/US2012/064782, dated Feb. 26, 2013.
- International Search Report and Written Opinion for International Application No. PCT/US2012/064803, dated Feb. 27, 2013.
- International Search Report and Written Opinion for International Application No. PCT/US2013/054731, dated Oct. 24, 2013.
- International Search Report and Written Opinion for International Application No. PCT/US2013/055441, dated Sep. 12, 2013.
- International Search Report and Written Opinion for International Application No. PCT/US2014/046759, dated Oct. 27, 2014.
- International Search Report and Written Opinion for International Application No. PCT/US2015/033817, dated Oct. 23, 2015.
- Office Action dated Aug. 26, 2015, for Japanese Patent Application No. 2013-533895, filed Oct. 7, 2011 (See English Translation).
- Decision to grant for EP Application No. 138306055 dated Jan. 8, 2020.
- “A Magnetic Stripe Reader—Read Credit Cards & Driver Licences!,” Articlesbase (articlesbase.com), Sep. 7, 2009.
- “Semtek Introduces Side Swipe II Card Reader for Wireless Devices,” Brighthand, <http://forum.brighthand.com/pdas-handhelds/173285-announcement-semtek-int-roduces-sid...>, accessed Apr. 19, 2011.
- “Arduino magnetic stripe decoder,” Instructables, Feb. 8, 2011, <http://www.instructables.com/id/Arduino-magnetic-stripe-decoder/>.
- Bauer, G., et al., “Comparing Block Cipher Modes of Operation on MICAZ Sensor Nodes,” Institute for Applied Information Processing and Communications, Gran University of Technology, 2009.
- “Credit Card Swiper and Reader for iPhone, iPad, Blackberry, Android and more,” <http://hubpages.com/hub/Credit-Card-Swiper-and-Reader-for-iPhone-i-Pad-Blackberry-An...>, accessed Apr. 20, 2011.
- “Get paid on the spot from your mobile phone,” <http://payments.intuit.com/products/basic-payment-solutions/mobile-credit--card-processin...>, accessed Feb. 11, 2011.
- Sonal, V. et al., “Hijacking Power and Bandwidth from the Mobile Phone’s Audio Interface”, Dec. 17, 2010.
- “Magnetic Card Reader”, <http://lekernel.net/scrapbook/old/cardreader.html>. accessed Apr. 25, 2011.
- Adam Harris., “Magnetic Stripe Card Spoofer,” <http://hackaday.com/2008/08/04/magnetic-stripe-card-spooper/>. Aug. 4, 2008.
- Luis P., “Magnetic stripe reader circuit,” dated Jan. 28, 1997.
- “Magnetic stripe reader/writer,” <http://www.gae.ucm.es/about/padilla/extrawork/stripe.html>, Oct. 29, 1996.
- Acidus., “Magstripe Interfacing—A Lost Art,” <http://www.scribd.com/doc/18236182/Magstripe-Interfacing#open.sub.>, accessed Feb. 7, 2011.
- “Mag-stripe readers the hunt for a homebrew mag-stripe reader that’ll work with modern,” posted Jan. 21, 2009, <http://www.hak5.org/forums/index.php?showtopic=11563&st=20>.
- Menezes, et al., “Handbook of Applied Cryptography,” CRC Press LLC, USA, XP002338714, pp. 12-13, 1997.
- Amy E. Buttell., “Merchants eye mobile phones to transact card payments,” <http://www.merchantaccountguide.com/merchant-account-news/cell-phone-cred-it-card-mer...> Feb. 3, 2010.
- Tyner., “Portable Magnetic Stripe Card Reader,” <http://www.tyner.com/magnetic/msr500ex.htm>. MSR500EX (Mini123EX) Apr. 27, 2007.
- Office Action dated Mar. 16, 2015 in European Patent Application No. 11833169.3, Mckelvey J_ et al., filed Jul. 10, 2011.
- Online shopping page for “Barcode scanner and Magnetic Stripe Reader (MSR) for Pocke . . .”, Tom’s Hardware (tomshardware.com), accessed Feb. 8, 2011.
- Online shopping page for “Magnetic Stripe Reader (MSR) MSR7000-100R”, Motorola Solutions, accessed Feb. 8, 2011, <http://www.motorola.com/business/US-EN/MSR7000-100R.sub.--US-EN.do?vgnext-oid=164fc3...>
- Online shopping page for “Mophie Marketplace Magnetic Strip Reader/Case for iPhone 3G & 3GS—Grey”, J&R (JR.com), accessed Feb. 8, 2011.
- Online shopping page for “USB Magnetic Stripe Credit/Card Track-2 Reader and Writer (75/210BPI)”, Deal Extreme (dealextrime.com), Nov. 15, 2008.
- P. Dutta, “Sustainable sensing for a smarter planet,” XRDS, vol. 17, No. 4, pp. 14-20, 2011.
- Pay@PC, <http://www.merchantanywhere.com/PAY.sub.--AT.sub.--PCT@PC.htm>, accessed Feb. 11, 2011.

(56)

References Cited

OTHER PUBLICATIONS

Final office Action dated Jul. 13, 2012 for U.S. Appl. No. 13/043,258, of McKelvey, J., filed Mar. 8, 2011.
Final Office Action dated Jun. 6, 2013 for U.S. Appl. No. 13/533,730, of McKelvey, J., filed Jun. 26, 2012.
Final Office Action dated Jun. 12, 2012 for U.S. Appl. No. 13/010,976, of Babu, A. et al., filed Jan. 21, 2011.
Final Office Action dated Mar. 18, 2015 for U.S. Appl. No. 13/298,487, of Lamba K. et al., filed Nov. 17, 2011.
Final Office Action dated May 17, 2012 for U.S. Appl. No. 13/043,268, of McKelvey, J., filed Mar. 8, 2011.
Final Office Action dated Sep. 24, 2015, for U.S. Appl. No. 13/298,511, of Sather, E.J.P., et al., filed Nov. 17, 2011.
Final Office Action dated Sep. 6, 2013 for U.S. Appl. No. 13/298,560 of Lamba K. et al., filed Nov. 17, 2011.
Final Office Action dated Sep. 17, 2013 for U.S. Appl. No. 13/298,491, of Lamba K. et al., filed Nov. 17, 2011.
Notice of Allowance dated Apr. 8, 2015, for U.S. Appl. No. 13/298,520, of Sather, E.J., et al., filed Nov. 17, 2011.

Notice of Allowance dated Apr. 4, 2013 for U.S. Appl. No. 13/012,495, of McKelvey, J_ et al., filed Jan. 24, 2011.
Notice of Allowance dated Apr. 4, 2014 for U.S. Appl. No. 14/052,009, of Wilson, M., et al, filed Oct. 11, 2013.
Notice of Allowance dated Apr. 15, 2014 for U.S. Appl. No. 13/942,334, of McKelvey, J. et al., filed Jul. 15, 2013.
Notice of Allowance dated Aug. 1, 2014 for U.S. Appl. No. 14/203,463 of Wade J. et al., filed Mar. 10, 2014.
Notice of Allowance dated Aug. 6, 2013 for U.S. Appl. No. 12/903,758, of Wilson, M., et al, filed Oct. 13, 2010.
Notice of Allowance dated Aug. 20, 2014 for U.S. Appl. No. 13/533,730, of McKelvey, J., filed Jun. 26, 2012.
Notice of Allowance dated Aug. 24, 2016, for U.S. Appl. No. 13/298,496 of Sather, et al., filed Nov. 17, 2011.
Notice of Allowance dated Dec. 18, 2015, for U.S. Appl. No. 13/298,540, of Sather, E.J.P., et al., filed Nov. 17, 2011.
Notice of Allowance dated Dec. 18, 2014 for U.S. Appl. No. 14/220,967 of Wade J_ et al., filed Mar. 20, 2014.

* cited by examiner

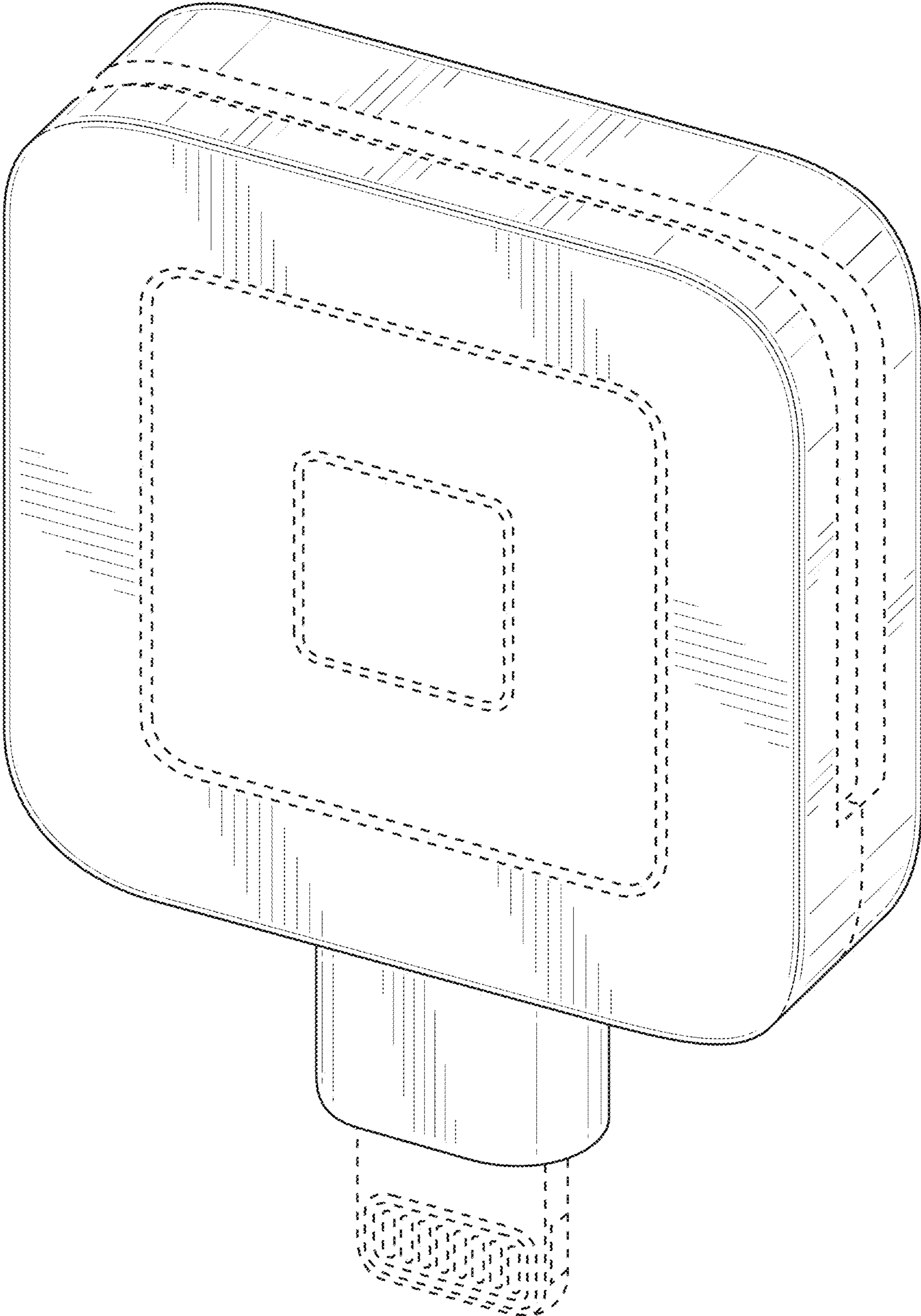


FIG. 1

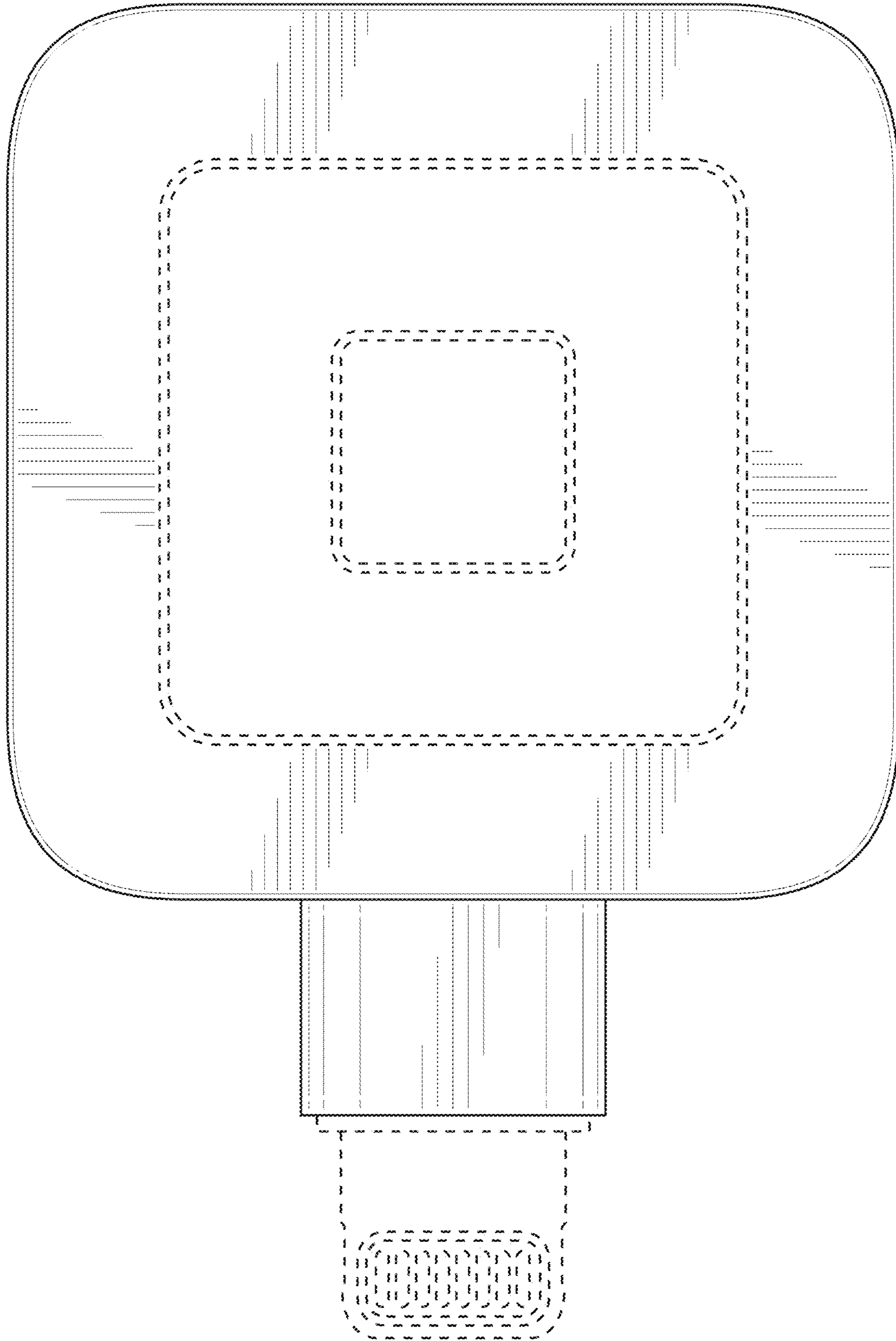


FIG. 2

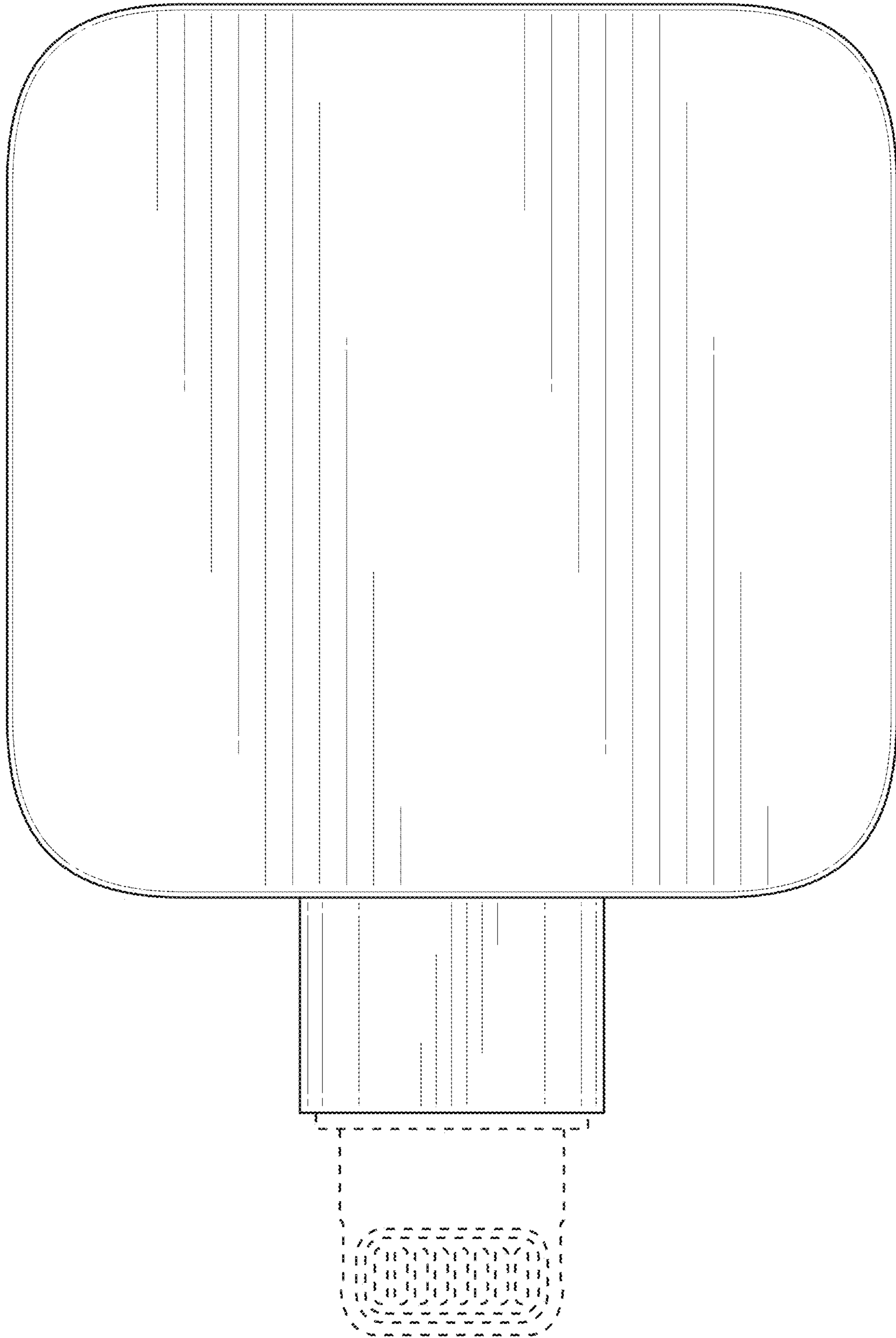


FIG. 3

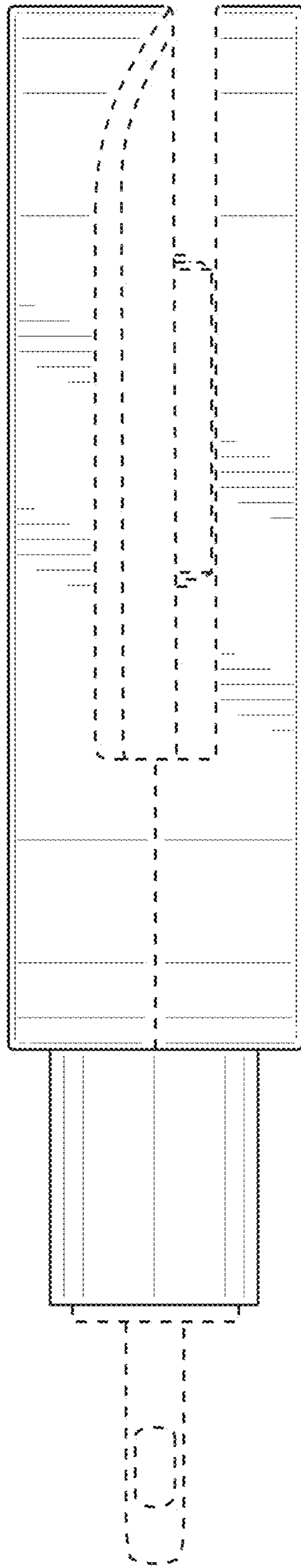


FIG. 4

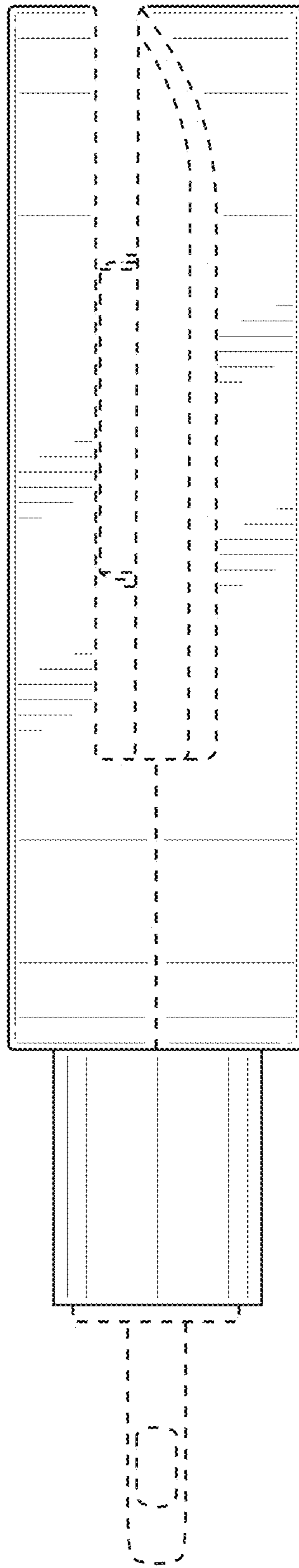


FIG. 5

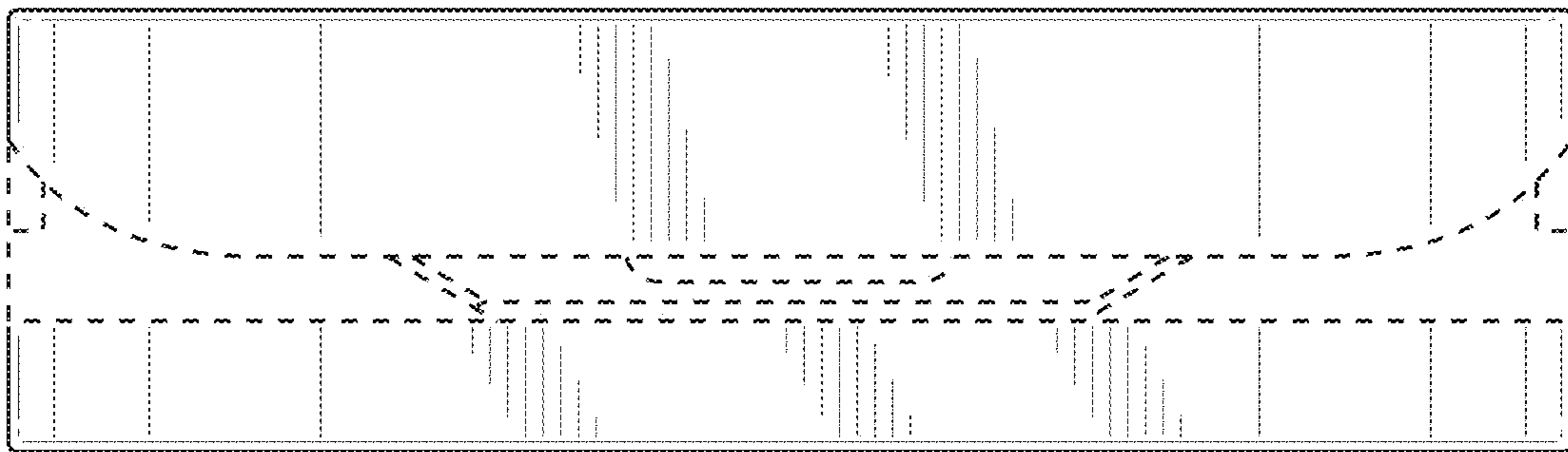


FIG. 6

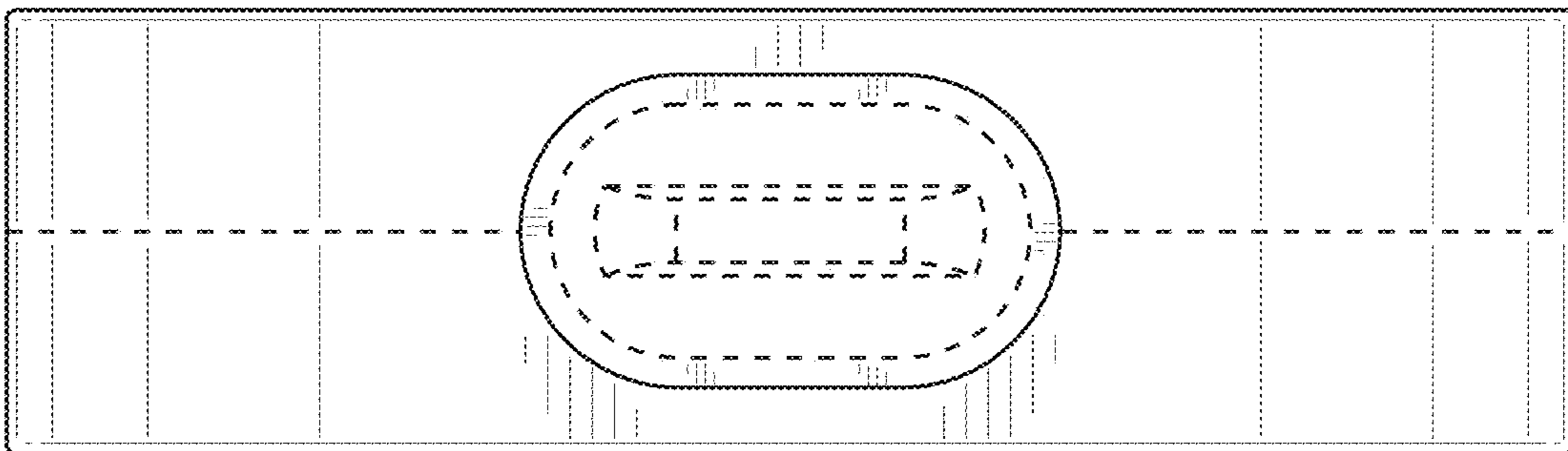


FIG. 7