



US00D905058S

(12) **United States Design Patent**  
**Chen**

(10) **Patent No.:** **US D905,058 S**

(45) **Date of Patent:** **\*\* Dec. 15, 2020**

(54) **ELECTRONIC DEVICE**

(71) Applicant: **Square, Inc.**, San Francisco, CA (US)

(72) Inventor: **Yenliang Chen**, San Francisco, CA (US)

(73) Assignee: **Square, Inc.**, San Francisco, CA (US)

(\*\*) Term: **15 Years**

(21) Appl. No.: **29/654,221**

(22) Filed: **Jun. 21, 2018**

(51) **LOC (12) Cl.** ..... **14-02**

(52) **U.S. Cl.**  
USPC ..... **D14/385**

(58) **Field of Classification Search**  
USPC ..... D18/4.4, 4.5, 4.6, 12, 12.1, 12.3;  
D14/383, 384, 385, 386, 378, 420, 427,  
D14/432-439, 447, 453; D13/107, 108,  
D13/133, 146, 147, 152, 154, 156;  
235/441, 451, 492, 380, 439, 375  
CPC ..... G06K 19/07749; G06K 19/0723; G06K  
19/041; G06K 19/07758; G06K 19/0775;  
G06K 19/07783; G06K 19/07794; G06K  
19/06046; G06K 19/07722; G06K  
19/07773; G06K 19/07779; G06K  
19/07784; G06K 19/07786; G06K  
19/0709

See application file for complete search history.

(56) **References Cited**

**U.S. PATENT DOCUMENTS**

D341,567 S \* 11/1993 Acker ..... D13/110  
D458,923 S \* 6/2002 Freitag ..... D14/314

D497,318 S \* 10/2004 Strand ..... D10/104.1  
D549,708 S \* 8/2007 Phillips ..... D14/435  
D682,273 S \* 5/2013 Taunay da Graca Cuoto .....  
D14/385  
D730,899 S \* 6/2015 Daniel ..... D14/385  
D752,051 S \* 3/2016 Chen ..... D14/434  
D791,223 S \* 7/2017 Blanc ..... D14/385  
D813,240 S \* 3/2018 Yeruva ..... D14/434  
D844,698 S \* 4/2019 Isaacs ..... D18/12

**OTHER PUBLICATIONS**

Examination Report for CA Application No. 185174 dated Nov. 19, 2019.

\* cited by examiner

*Primary Examiner* — Austin Murphy

(74) *Attorney, Agent, or Firm* — Lee & Hayes, P.C.

(57) **CLAIM**

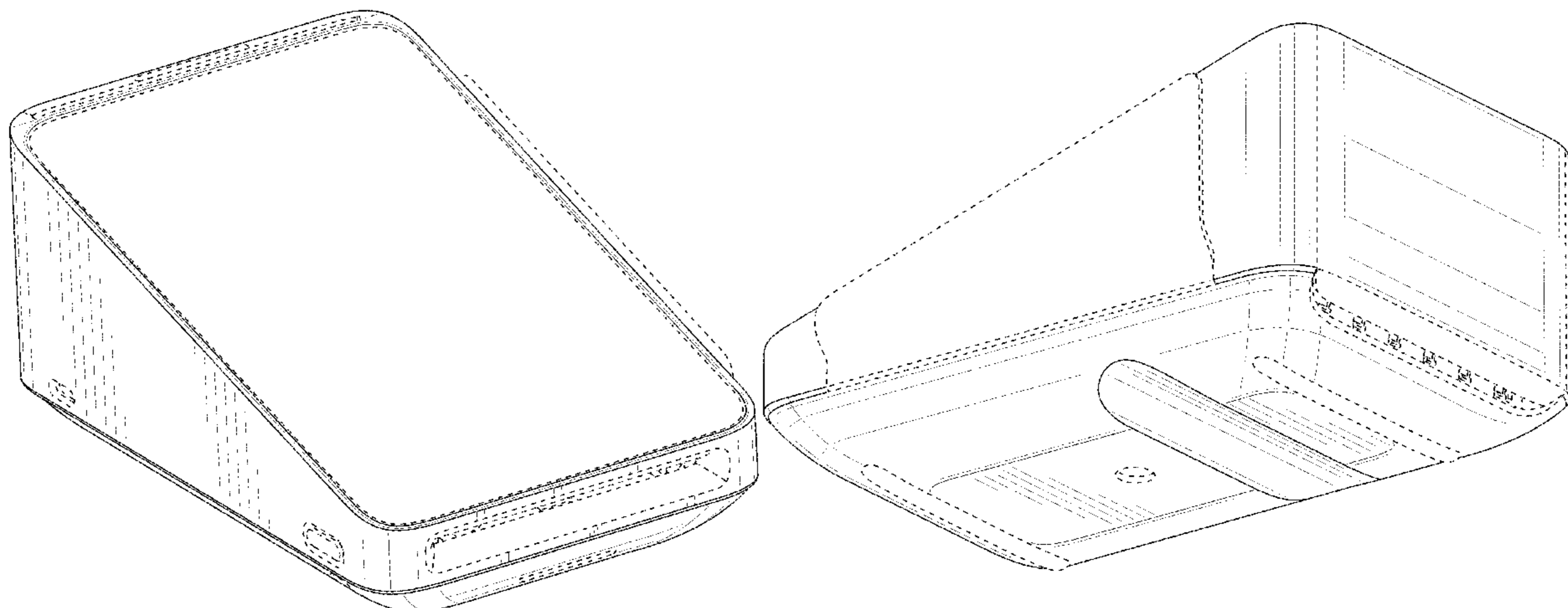
The ornamental design for an electronic device, as shown and described.

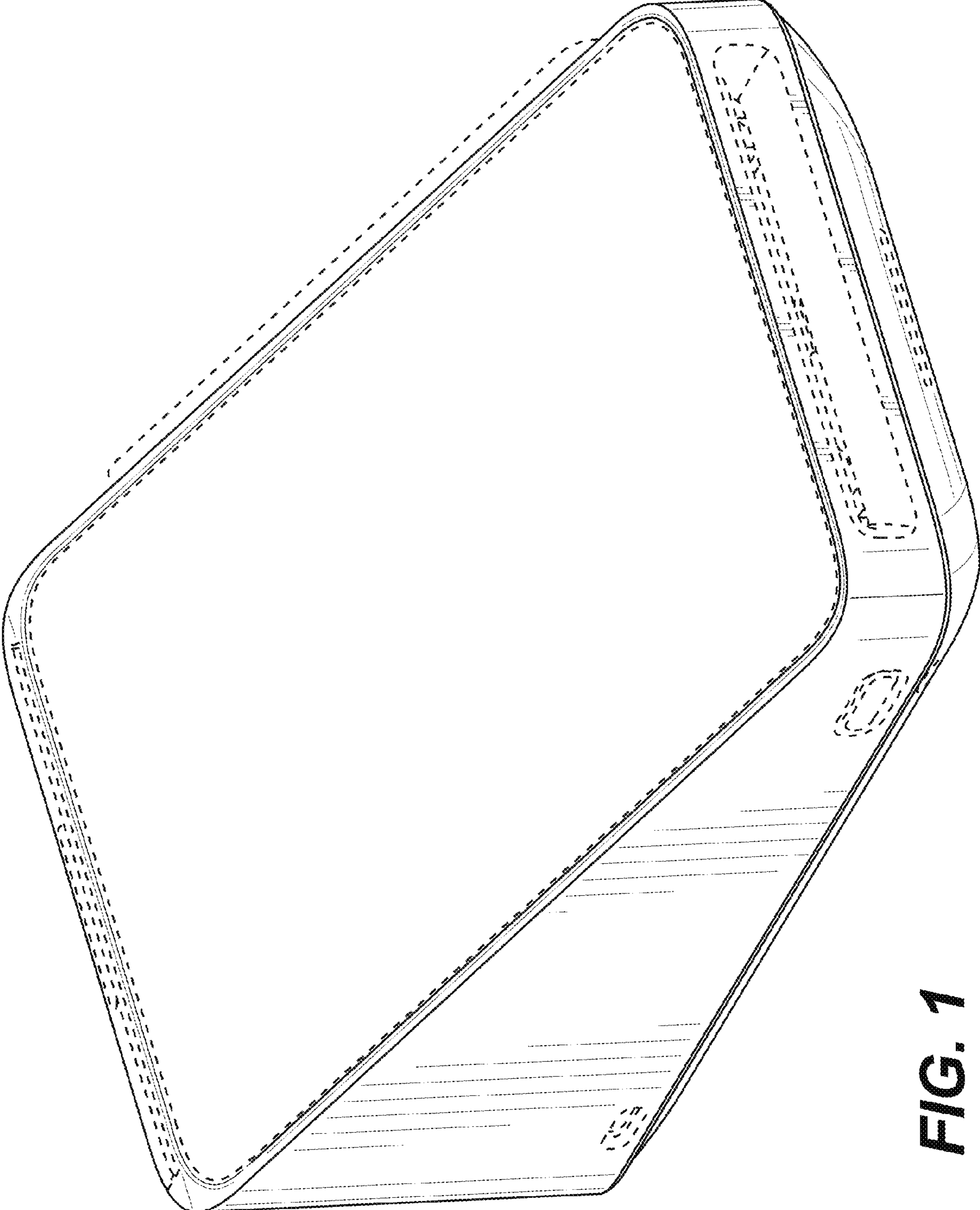
**DESCRIPTION**

FIG. 1 is a top perspective view of an electronic device;  
FIG. 2 is a bottom perspective view thereof;  
FIG. 3 is a front view thereof;  
FIG. 4 is a back view thereof;  
FIG. 5 is a left-side view thereof;  
FIG. 6 is a right-side view thereof;  
FIG. 7 is a top view thereof; and,  
FIG. 8 is a bottom view thereof.

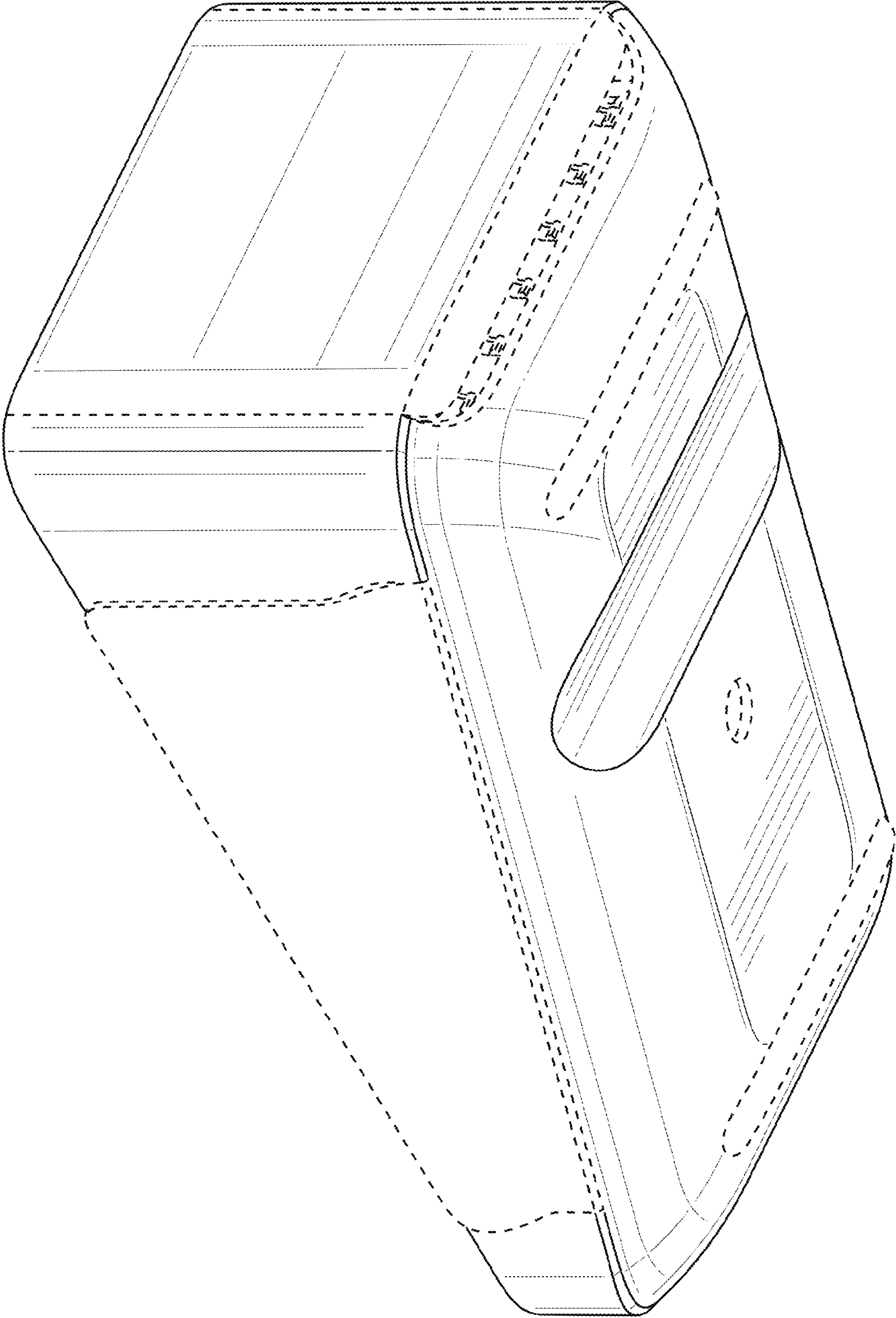
The dashed broken lines depict portions of the electronic device that form no part of the claimed design.

**1 Claim, 8 Drawing Sheets**

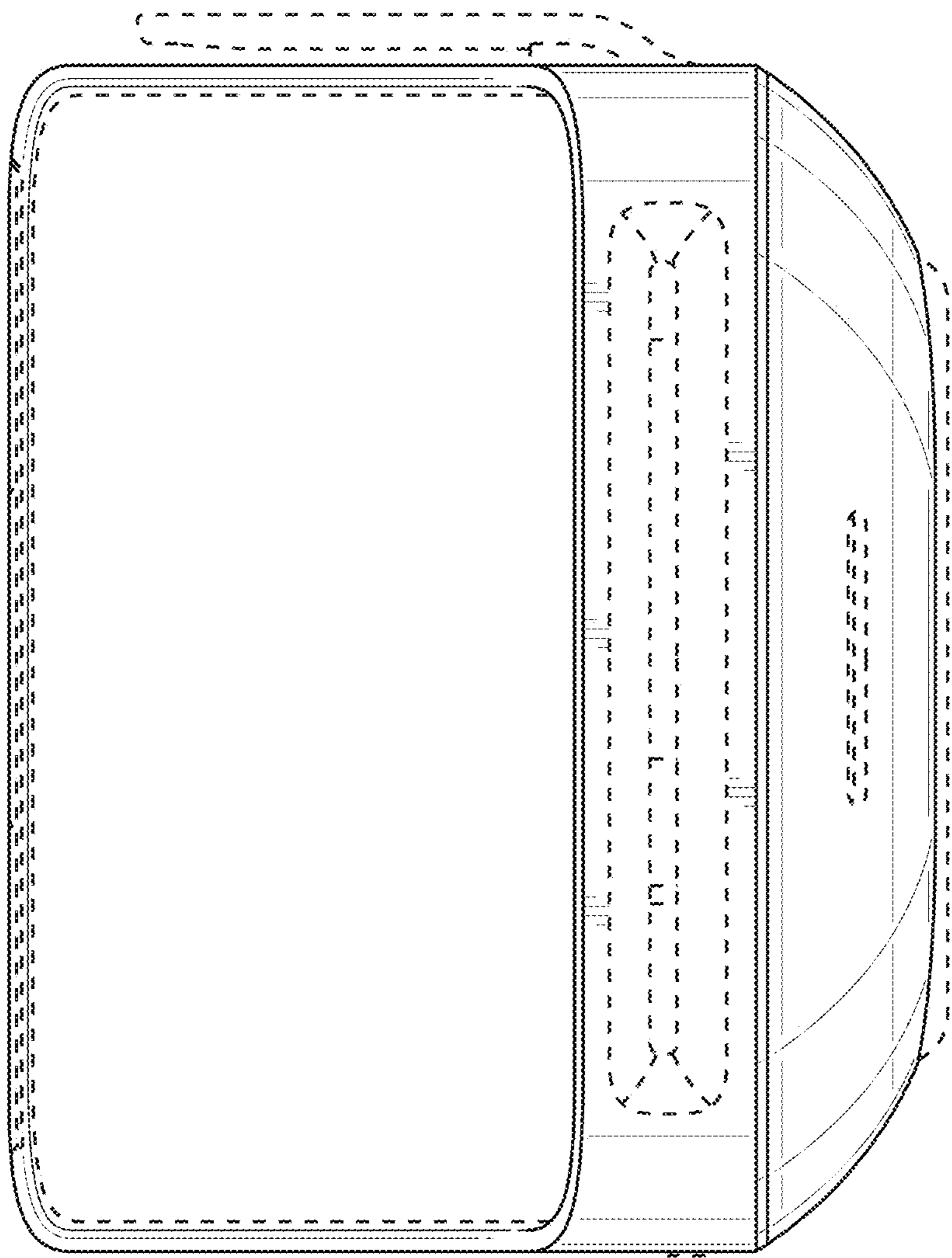




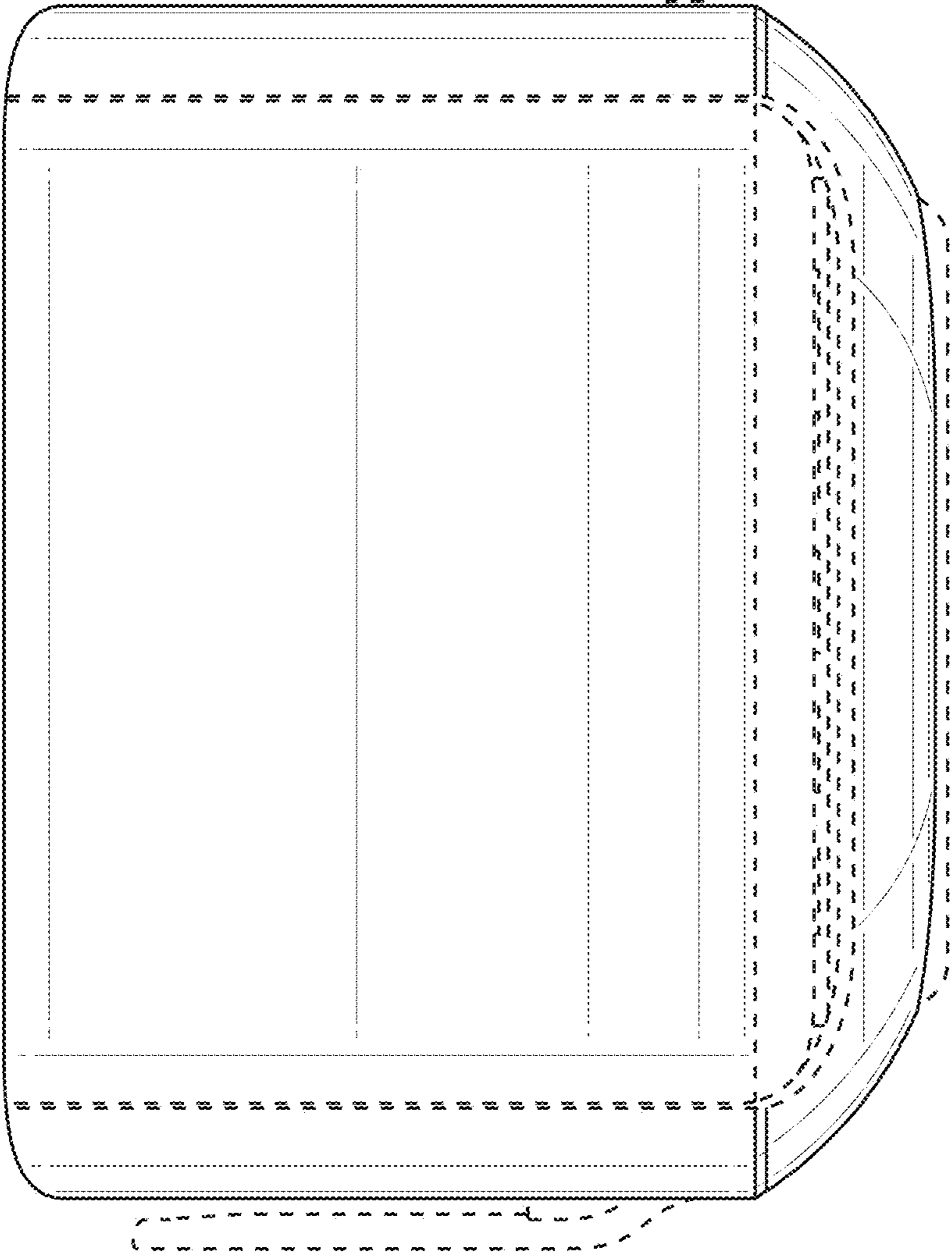
**FIG. 1**



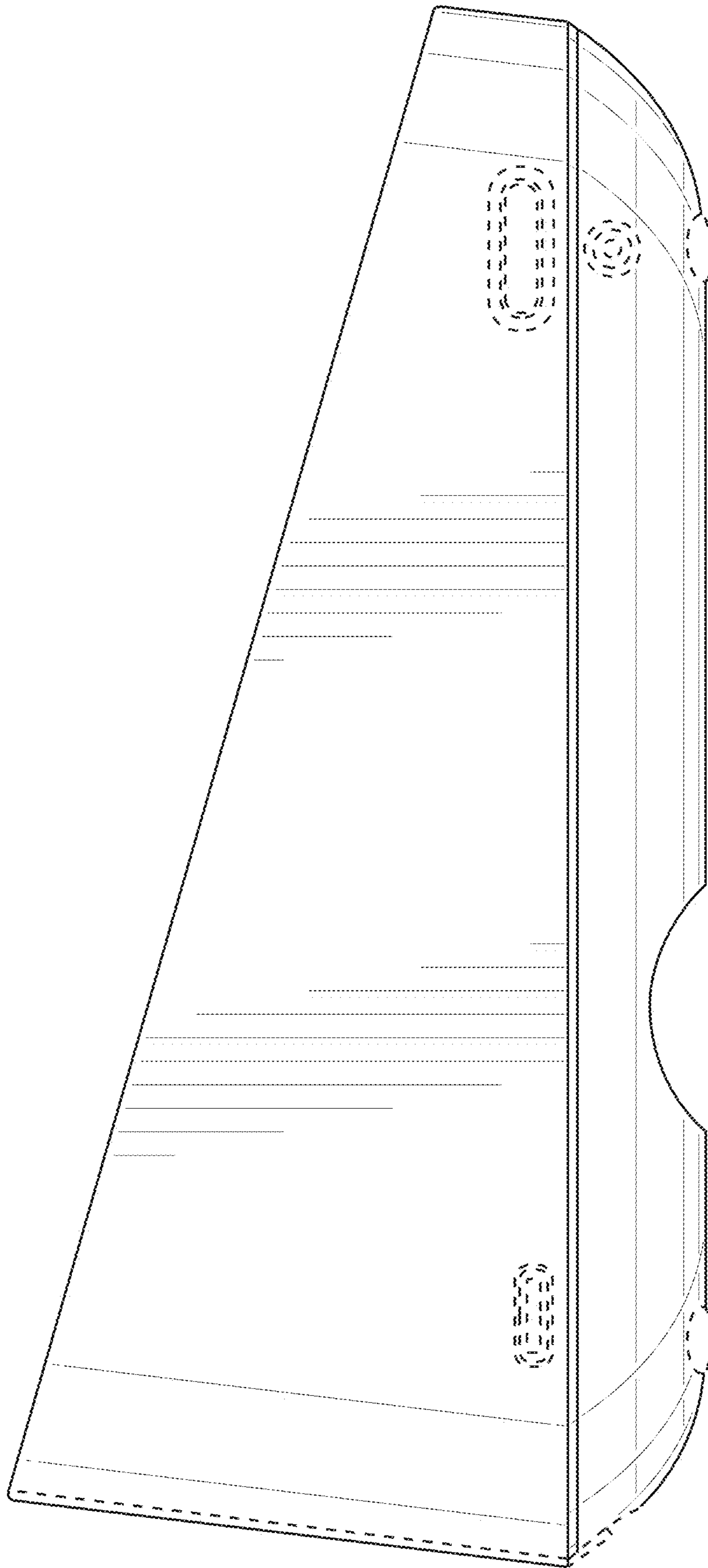
**FIG. 2**



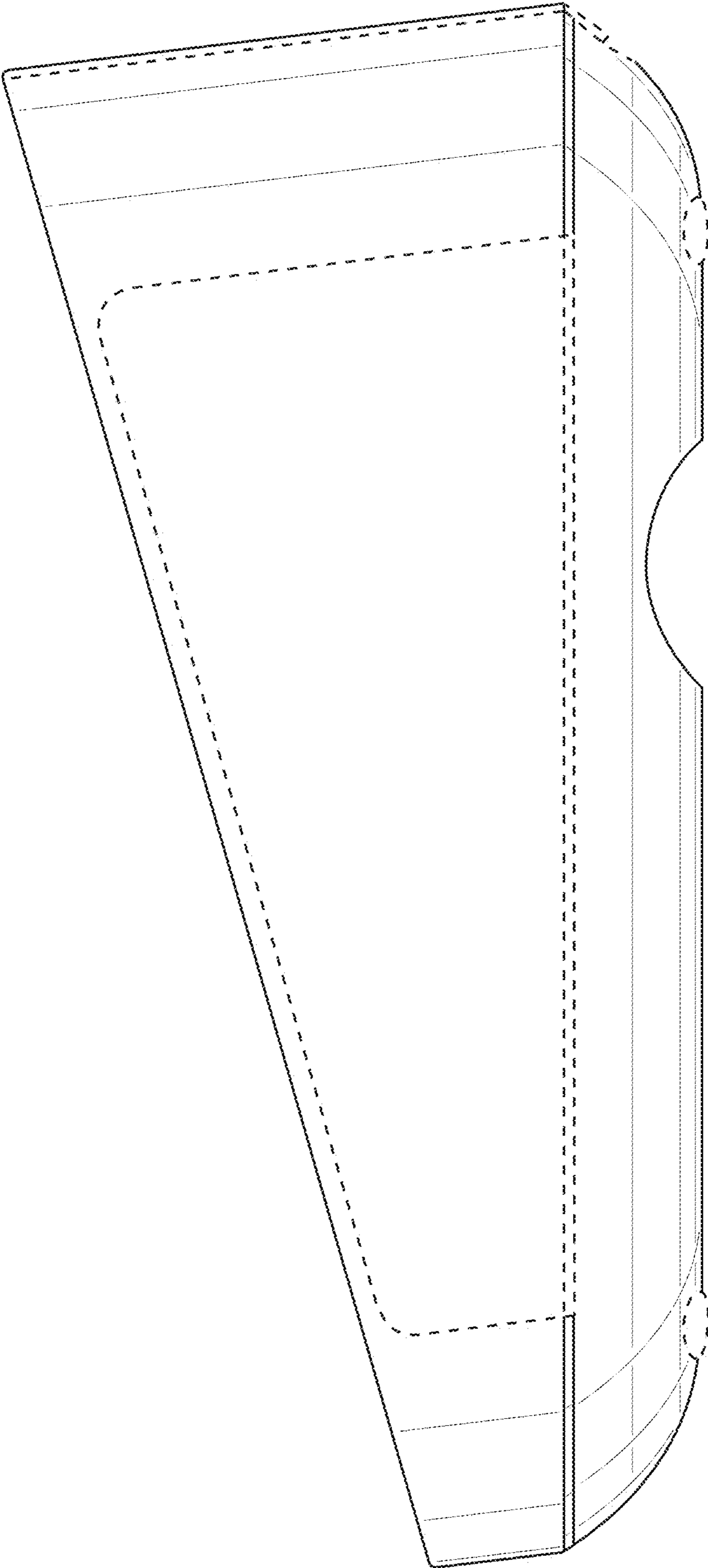
**FIG. 3**



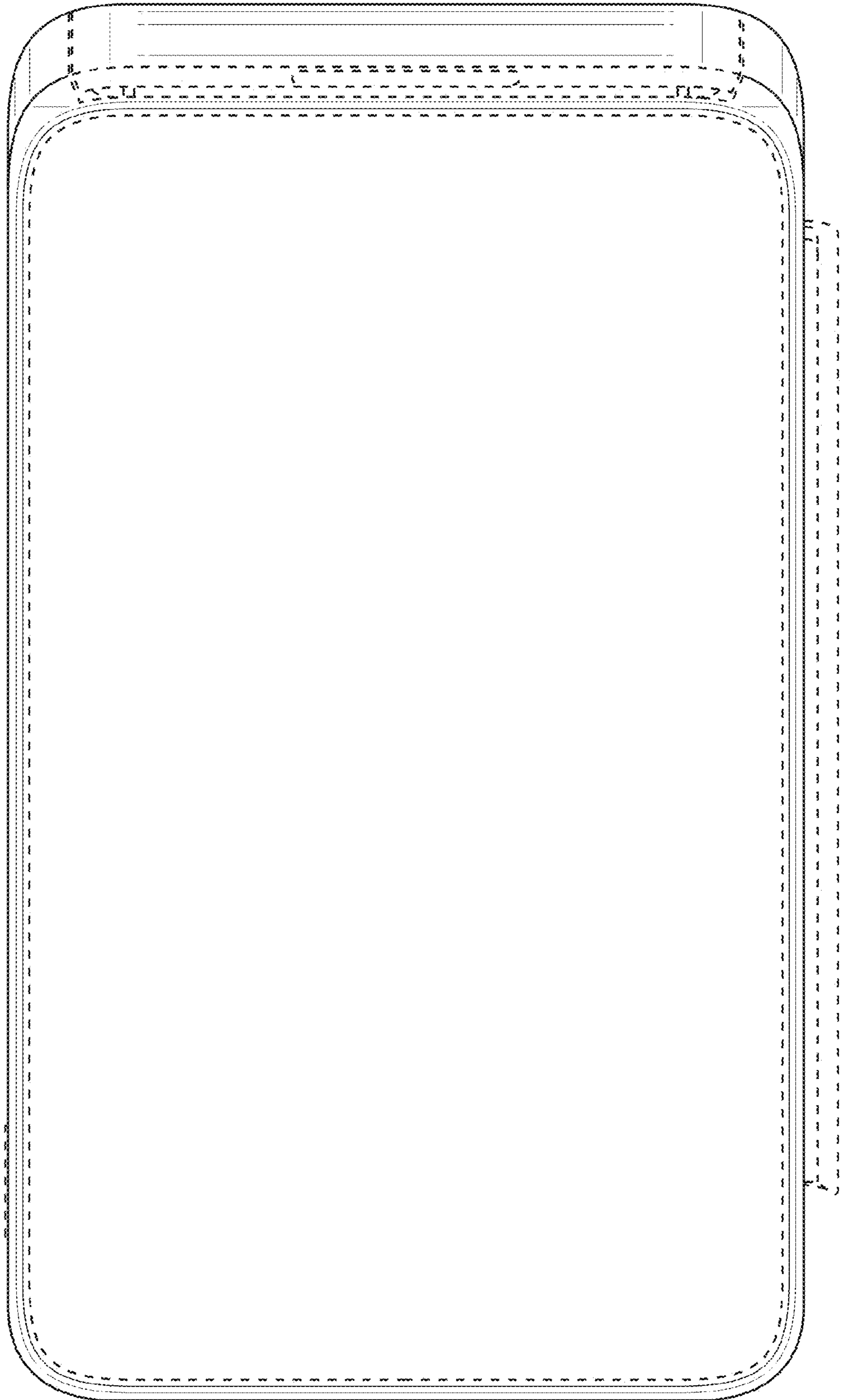
**FIG. 4**



**FIG. 5**

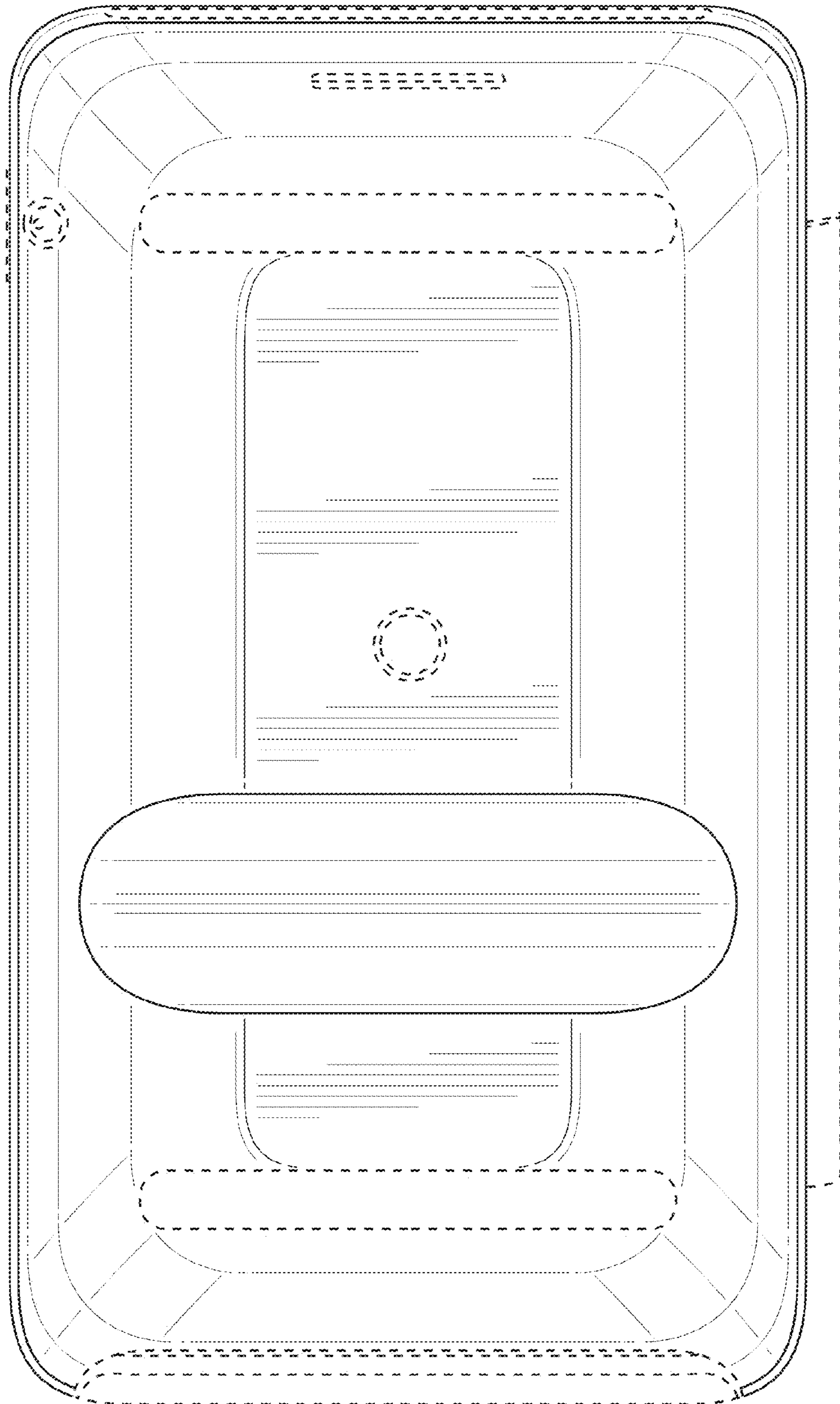


**FIG. 6**



**FIG. 7**





**FIG. 8**