



US00D905048S

(12) **United States Design Patent** (10) **Patent No.:** **US D905,048 S**  
**Großmann** (45) **Date of Patent:** **\*\* Dec. 15, 2020**

(54) **MULTIMEDIA COMMUNICATION  
TERMINAL**

(71) Applicant: **KOENIG & BAUER AG**, Würzburg  
(DE)

(72) Inventor: **Karsten Großmann**, Weinböhla (DE)

(73) Assignee: **KOENIG & BAUER AG**, Würzburg  
(DE)

(\*\*) Term: **15 Years**

(21) Appl. No.: **35/505,616**

(22) Filed: **Jul. 11, 2018**

(80) **Hague Agreement Data**

Int. Filing Date: **Jul. 11, 2018**  
Int. Reg. No.: **DM/102520**  
Int. Reg. Date: **Jul. 11, 2018**  
Int. Reg. Pub. Date: **Sep. 7, 2018**

(30) **Foreign Application Priority Data**

Mar. 8, 2018 (EM) ..... 004746253

(51) **LOC (12) Cl.** ..... **14-02**

(52) **U.S. Cl.**  
USPC ..... **D14/307**

(58) **Field of Classification Search**  
USPC ..... D14/126, 302-307, 900-902; D13/163;  
D21/325, 332, 369, 370  
CPC ..... G06Q 20/18; G06Q 20/10; G06Q 20/123;  
G06Q 20/20; G06Q 30/02; G06Q 30/06;  
A47F 9/047  
See application file for complete search history.

(56) **References Cited**

U.S. PATENT DOCUMENTS

D713,840 S \* 9/2014 Daniel ..... D14/307  
D734,316 S \* 7/2015 Alvarez ..... D14/307

D762,635 S \* 8/2016 Szeredi ..... D14/307  
D763,247 S \* 8/2016 Yopez ..... D14/307  
D774,504 S \* 12/2016 Hoover ..... D14/307  
D782,466 S \* 3/2017 Yopez ..... D14/307  
D783,015 S \* 4/2017 Birnie ..... D14/307  
D805,065 S \* 12/2017 Taylor ..... D14/307  
D807,340 S \* 1/2018 Foster ..... D14/307  
D811,381 S \* 2/2018 Morohoshi ..... D14/307  
D813,223 S \* 3/2018 Munro ..... D14/307  
D815,628 S \* 4/2018 Berini ..... D14/307  
D820,824 S \* 6/2018 Thornton ..... D14/307  
D828,348 S \* 9/2018 Lee ..... D14/307  
D829,704 S \* 10/2018 Oross ..... D14/307  
D829,706 S \* 10/2018 Berini ..... D14/307  
D836,625 S \* 12/2018 Szeredi ..... D14/307  
D840,390 S \* 2/2019 Mangeot ..... D14/307

\* cited by examiner

*Primary Examiner* — Bao-Yen T Nguyen  
(74) *Attorney, Agent, or Firm* — Mattingly & Malur, PC

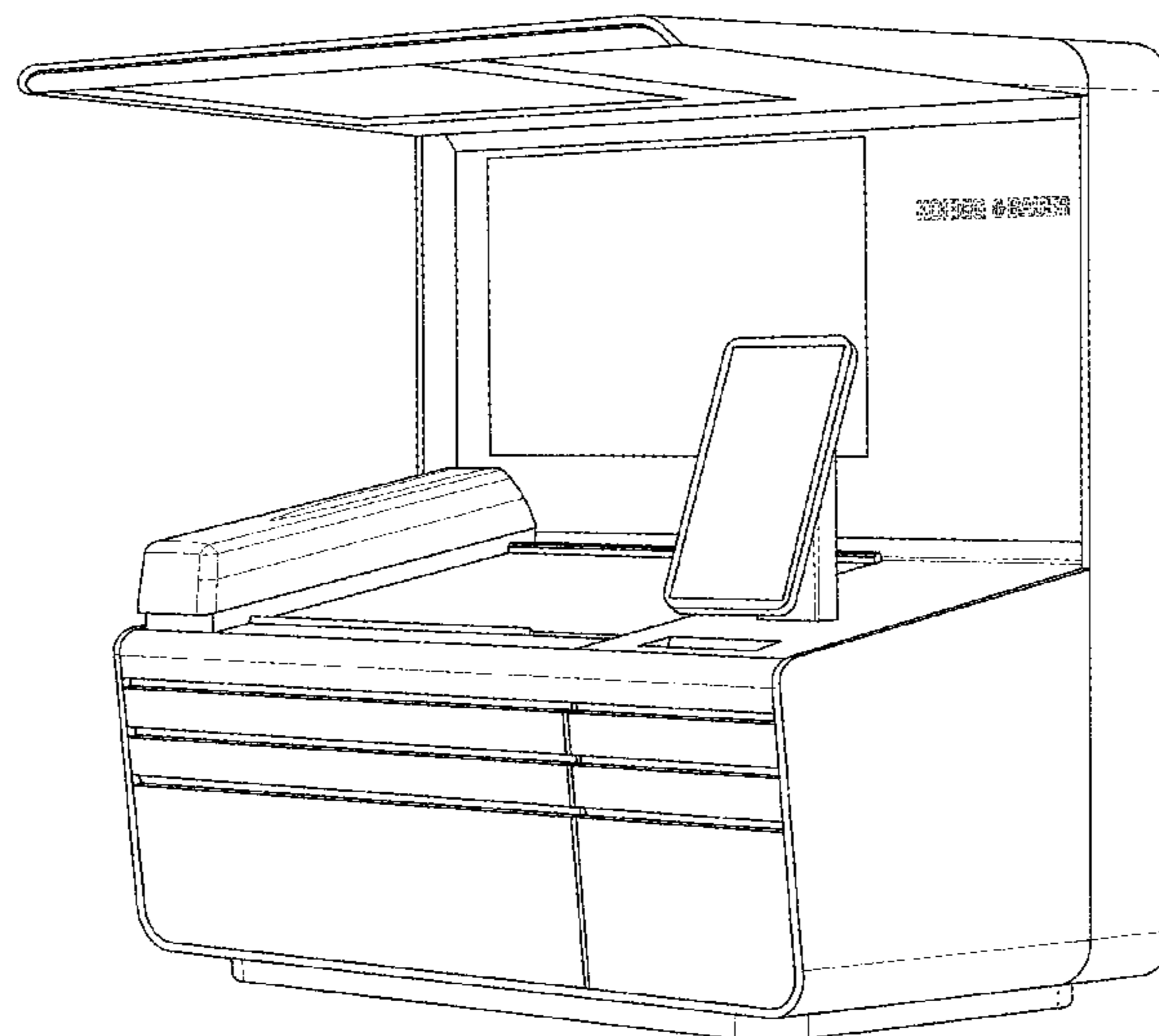
(57) **CLAIM**

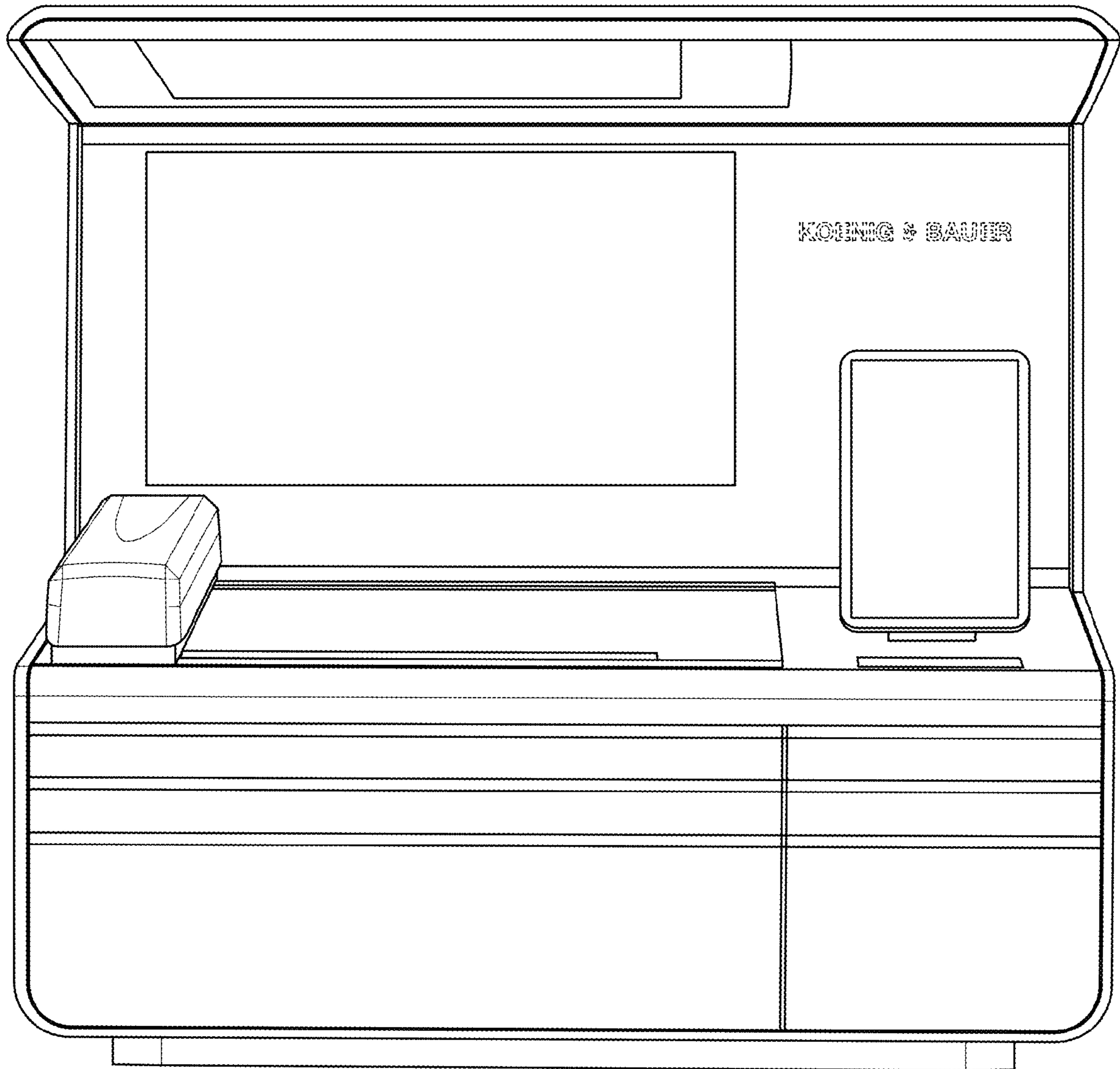
The ornamental design for a multimedia communication terminal, as shown and described.

**DESCRIPTION**

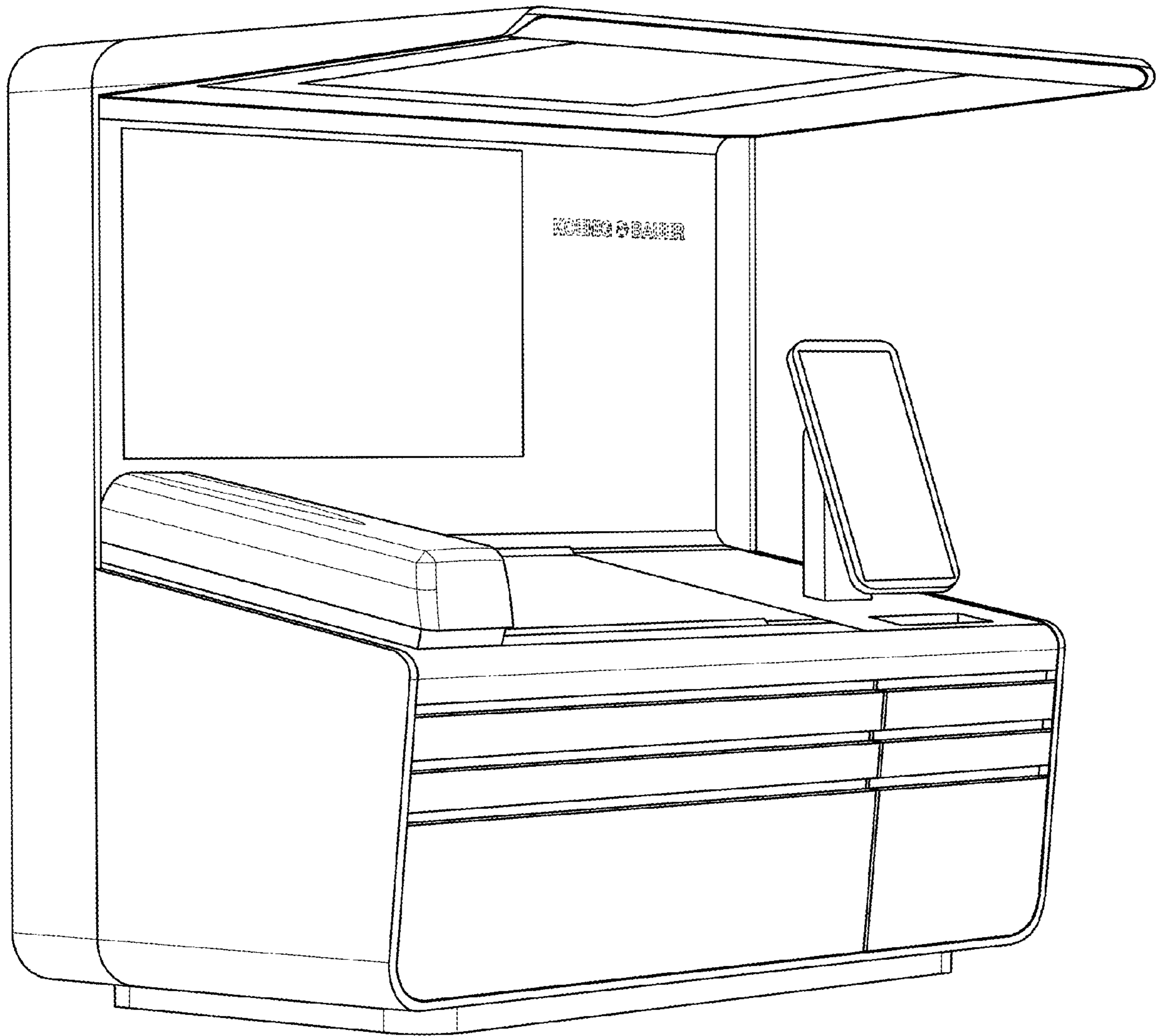
Fig. 2.1 is a front elevation view of a design for a multimedia communication terminal;  
Fig. 2.2 is a front left perspective view thereof;  
Fig. 2.3 is a top left perspective view thereof;  
Fig. 2.4 is a rear left perspective view thereof;  
Fig. 2.5 is a right rear perspective view thereof;  
Fig. 2.6 is a right perspective view thereof; and  
Fig. 2.7 is a right front perspective view thereof.  
The broken line showing of details in Figs. 2.1-2.7 is included for the purpose of showing environmental portions of the design. No claim is made for the portions shown in broken line.

**1 Claim, 7 Drawing Sheets**

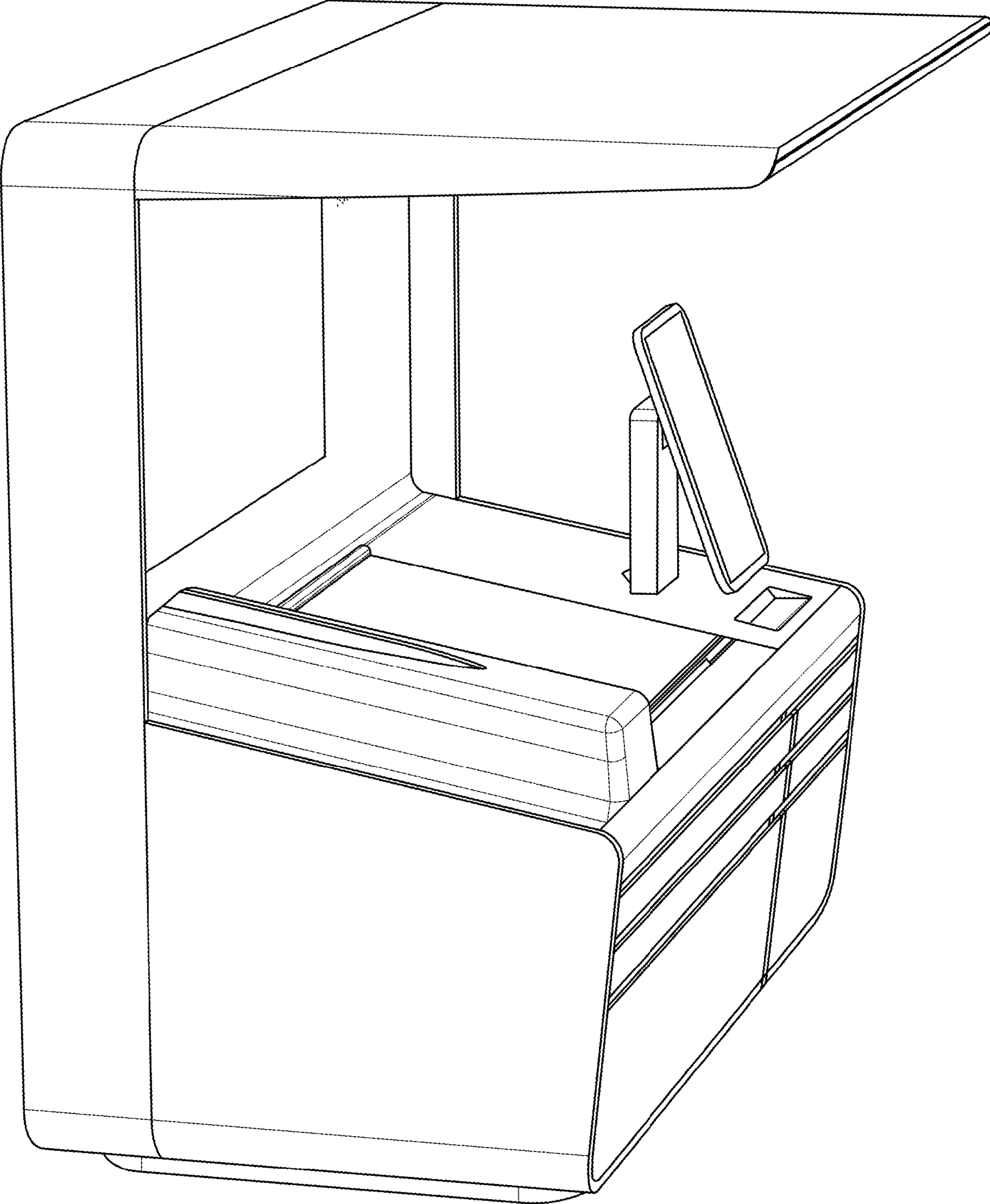




2.1

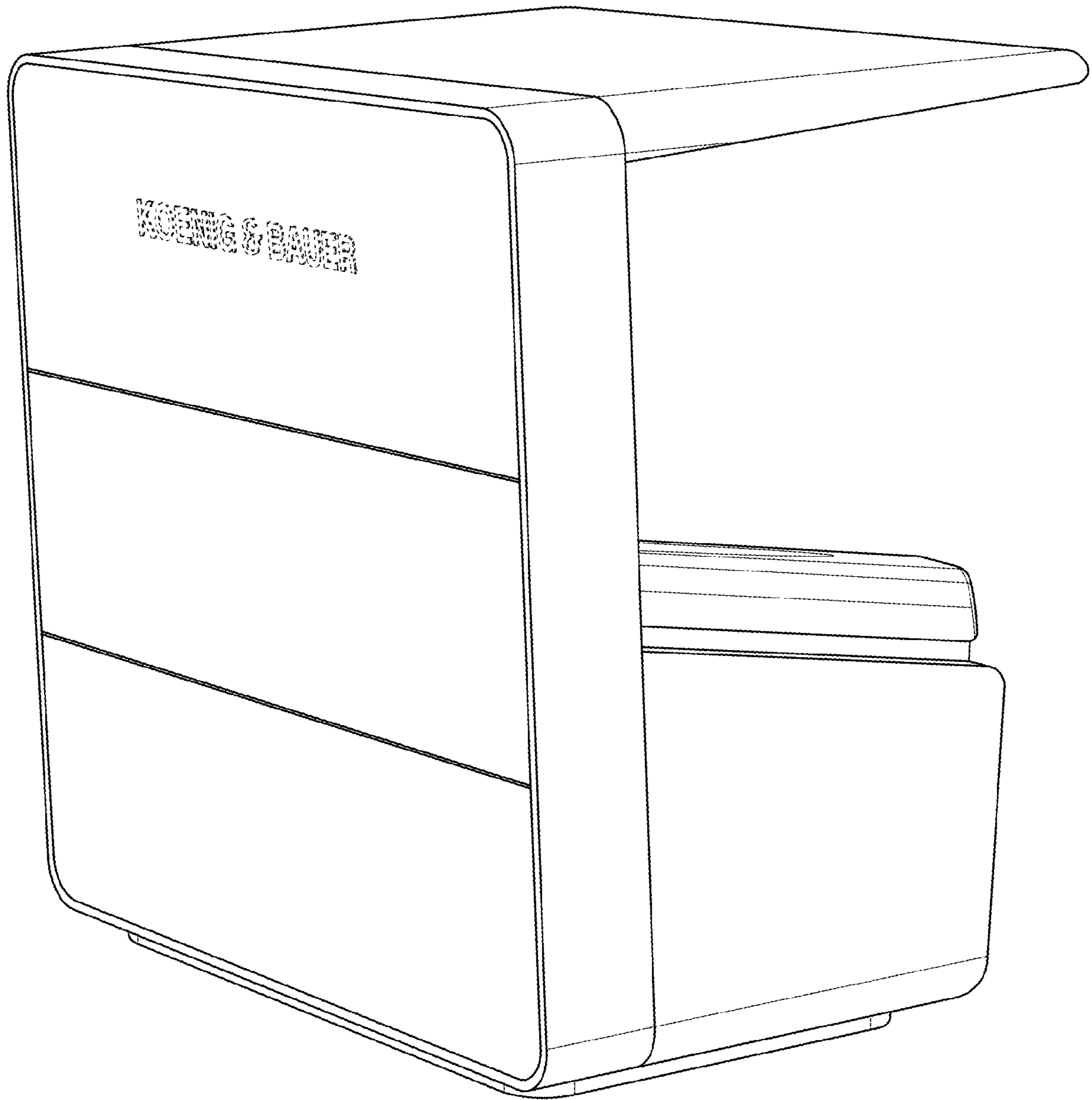


2.2

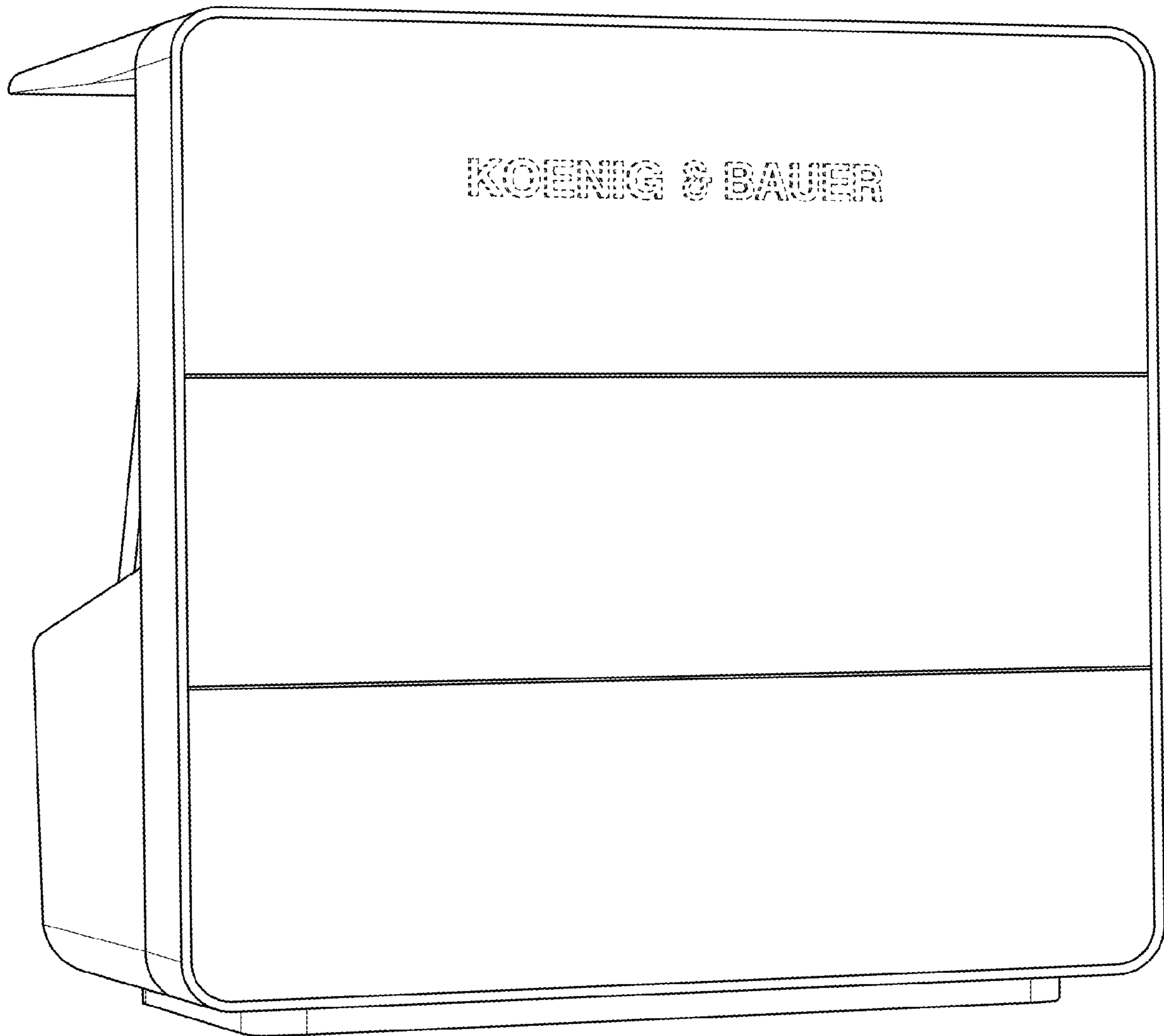


2.3

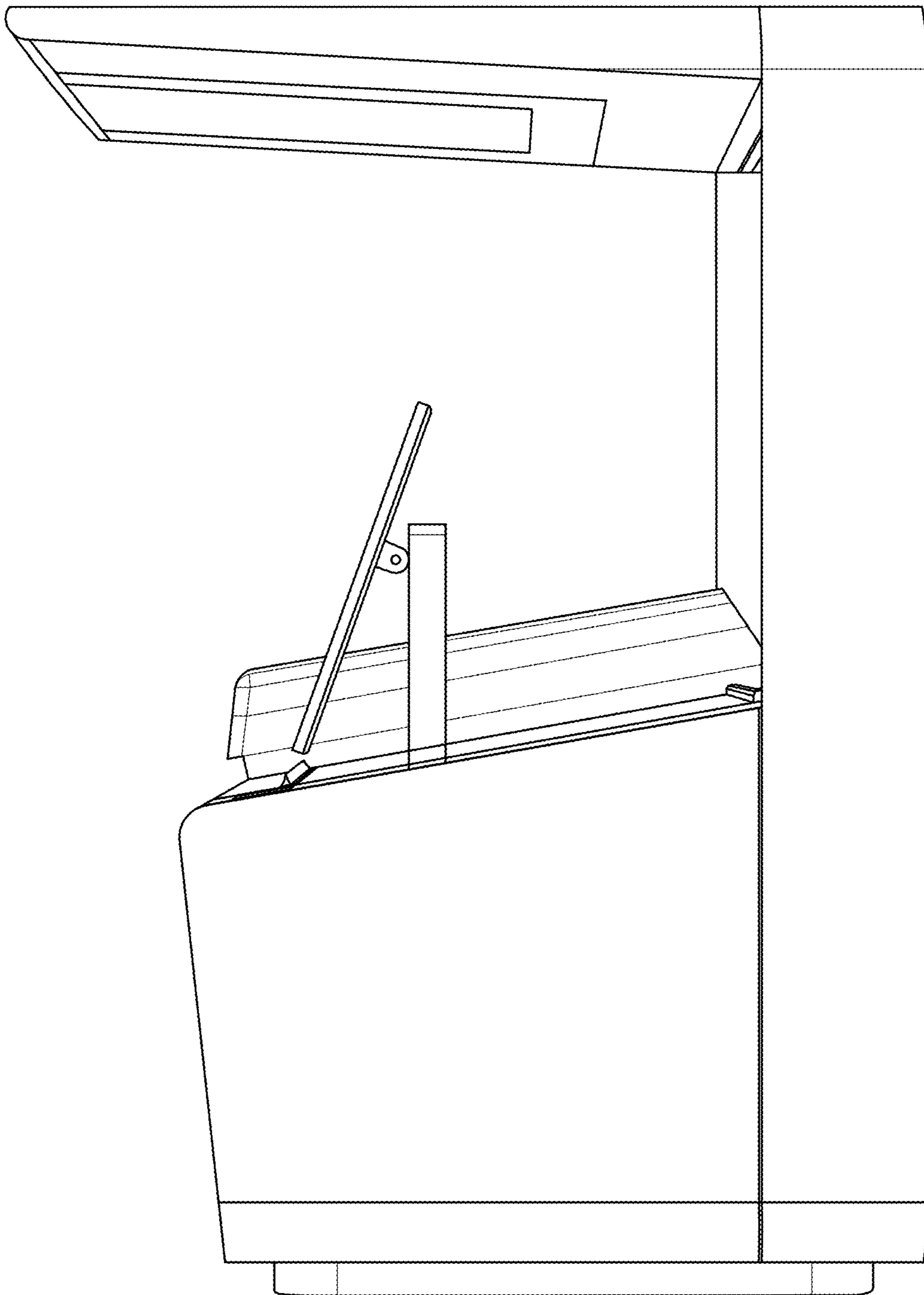




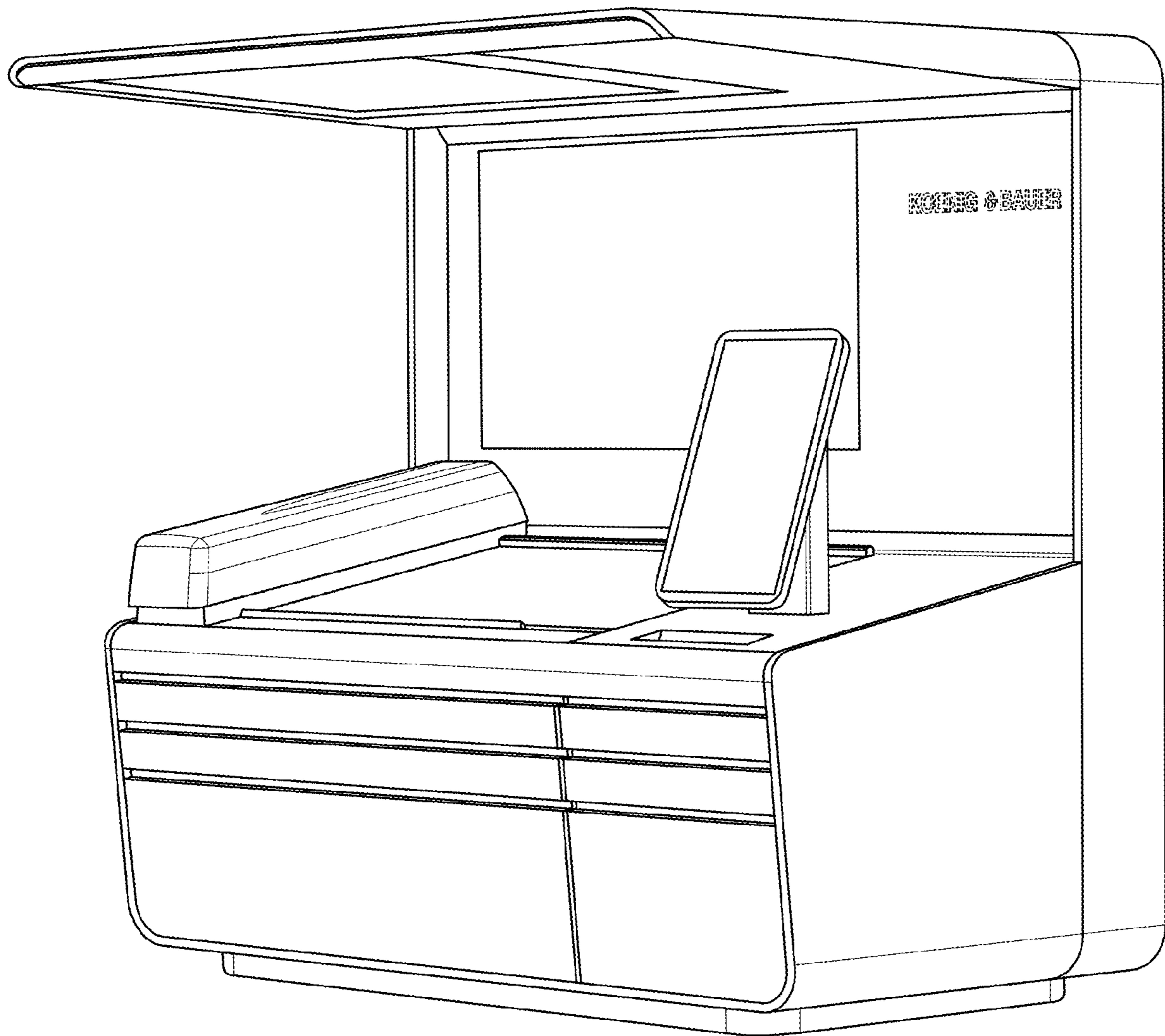
2.4



2.5



2.6



2.7