

US00D905044S

(12) **United States Design Patent**
Suzuki

(10) **Patent No.:** **US D905,044 S**

(45) **Date of Patent:** **** Dec. 15, 2020**

(54) **DIGITAL AUDIO DISC PLAYER FOR
AUTOMOBILE**

(71) Applicant: **JVCKENWOOD Corporation,**
Yokohama (JP)

(72) Inventor: **Yasuhiro Suzuki,** Yokohama (JP)

(73) Assignee: **JVCKENWOOD Corporation,**
Yokohama (JP)

(**) Term: **15 Years**

(21) Appl. No.: **29/706,251**

(22) Filed: **Sep. 19, 2019**

(30) **Foreign Application Priority Data**

Jul. 30, 2019 (JP) 2019-016995

(51) **LOC (12) Cl.** **14-03**

(52) **U.S. Cl.**
USPC **D14/258**

(58) **Field of Classification Search**
USPC D12/192, 195, 415, 420; D14/496,
D14/498-511, 137, 154, 157, 168-171,
D14/188-198, 257-258; 248/27.1, 27.3,
248/558; 455/347, 350
CPC B60R 11/02; B60K 37/04; B60K 37/06;
B60K 35/00; H04B 1/08; H04B 1/082
See application file for complete search history.

(56) **References Cited**

U.S. PATENT DOCUMENTS

D576,160 S * 9/2008 Sei D14/258
D671,519 S * 11/2012 Kanou D14/157

D672,742 S * 12/2012 Katsuno D14/157
D706,257 S * 6/2014 Harada D14/258
D817,319 S * 5/2018 Mihara D14/258
D817,321 S * 5/2018 Sakata D14/258
D819,016 S * 5/2018 Murakami D14/258

* cited by examiner

Primary Examiner — Sandra L Morris

(74) *Attorney, Agent, or Firm* — Amin, Turocy & Watson,
LLP

(57) **CLAIM**

The ornamental design for a digital audio disc player for automobile, as shown and described.

DESCRIPTION

FIG. 1 is a right, front, and top perspective view of a digital audio disc player for automobile;
FIG. 2 is a front elevational view thereof;
FIG. 3 is a rear elevational view thereof;
FIG. 4 is a top plan view thereof;
FIG. 5 is a bottom plan view thereof;
FIG. 6 is a left side elevational view thereof; and,
FIG. 7 is a right side elevational view thereof.

The broken lines in the drawings are for the purpose of illustrating portions of the digital audio disc player for automobile that form no part of the claimed design.

1 Claim, 5 Drawing Sheets

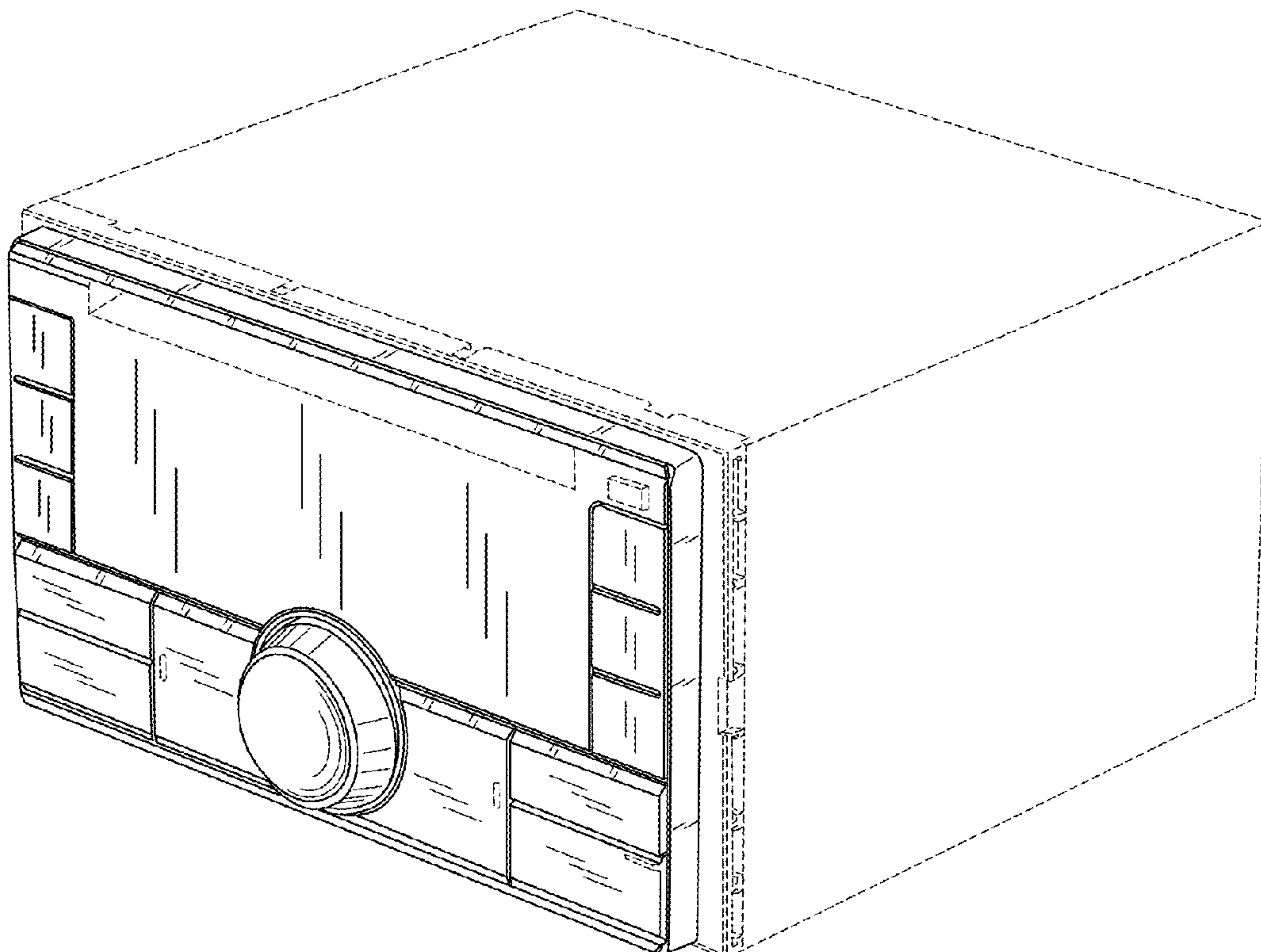


Fig. 1

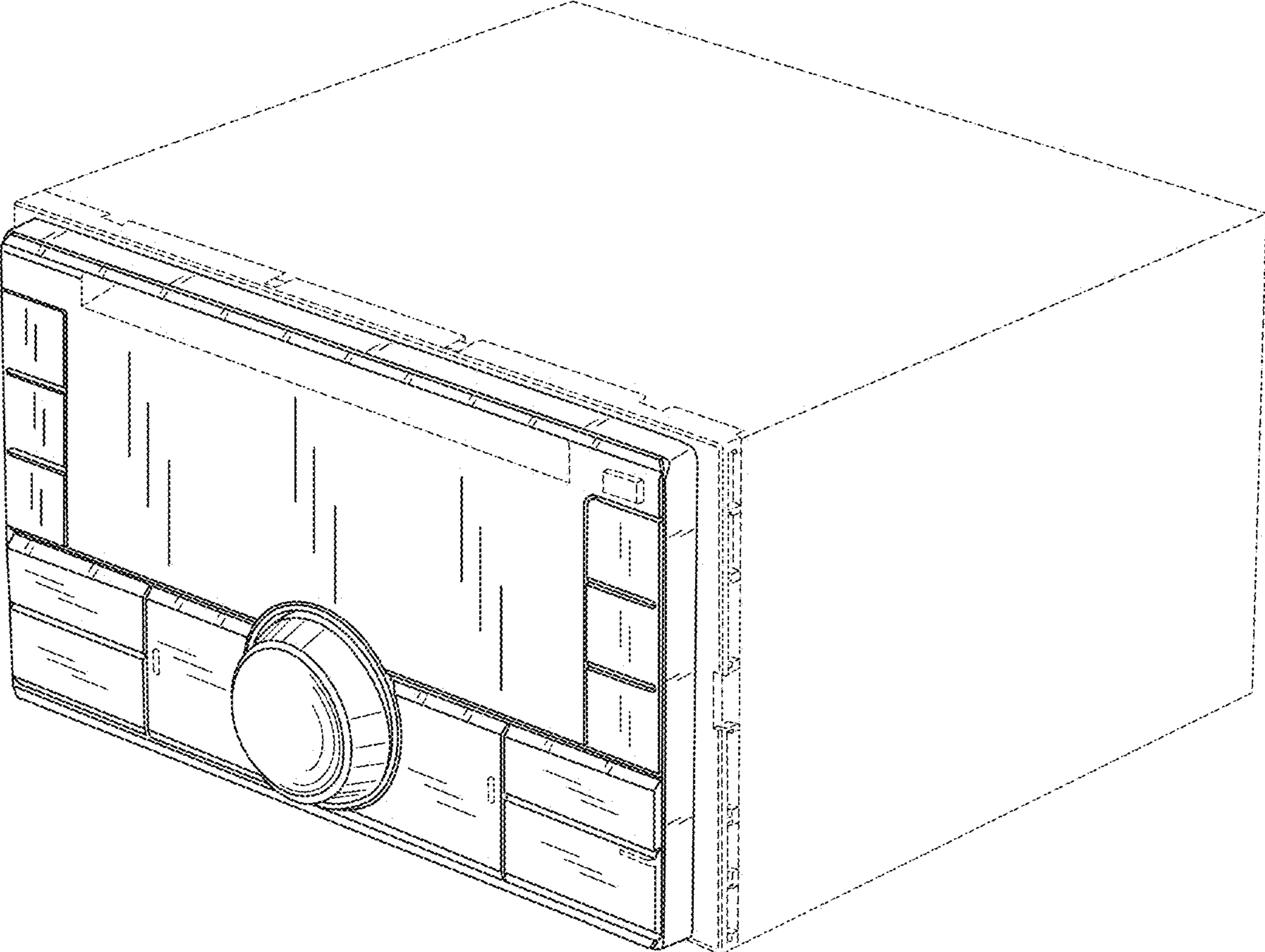


Fig.2

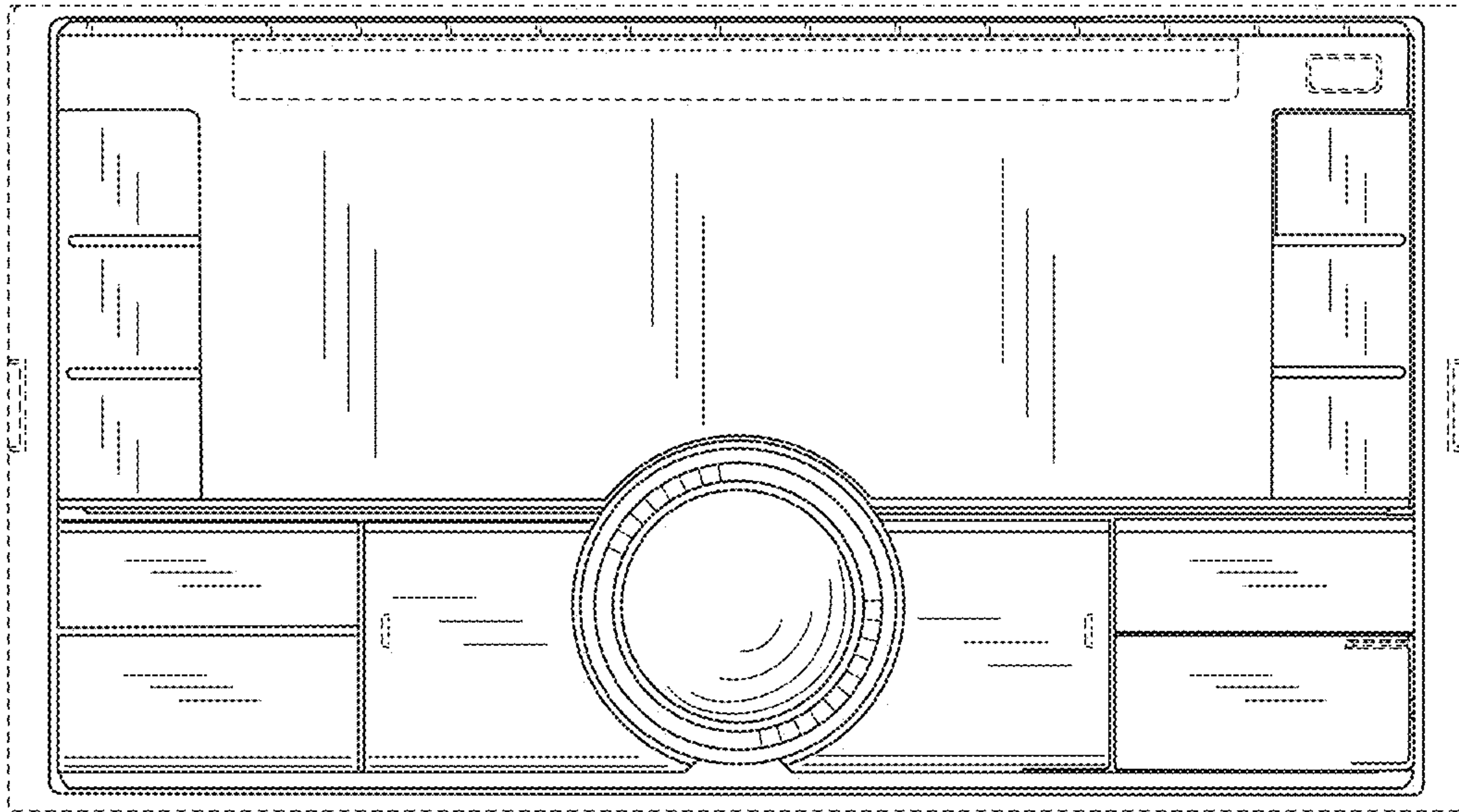


Fig.3

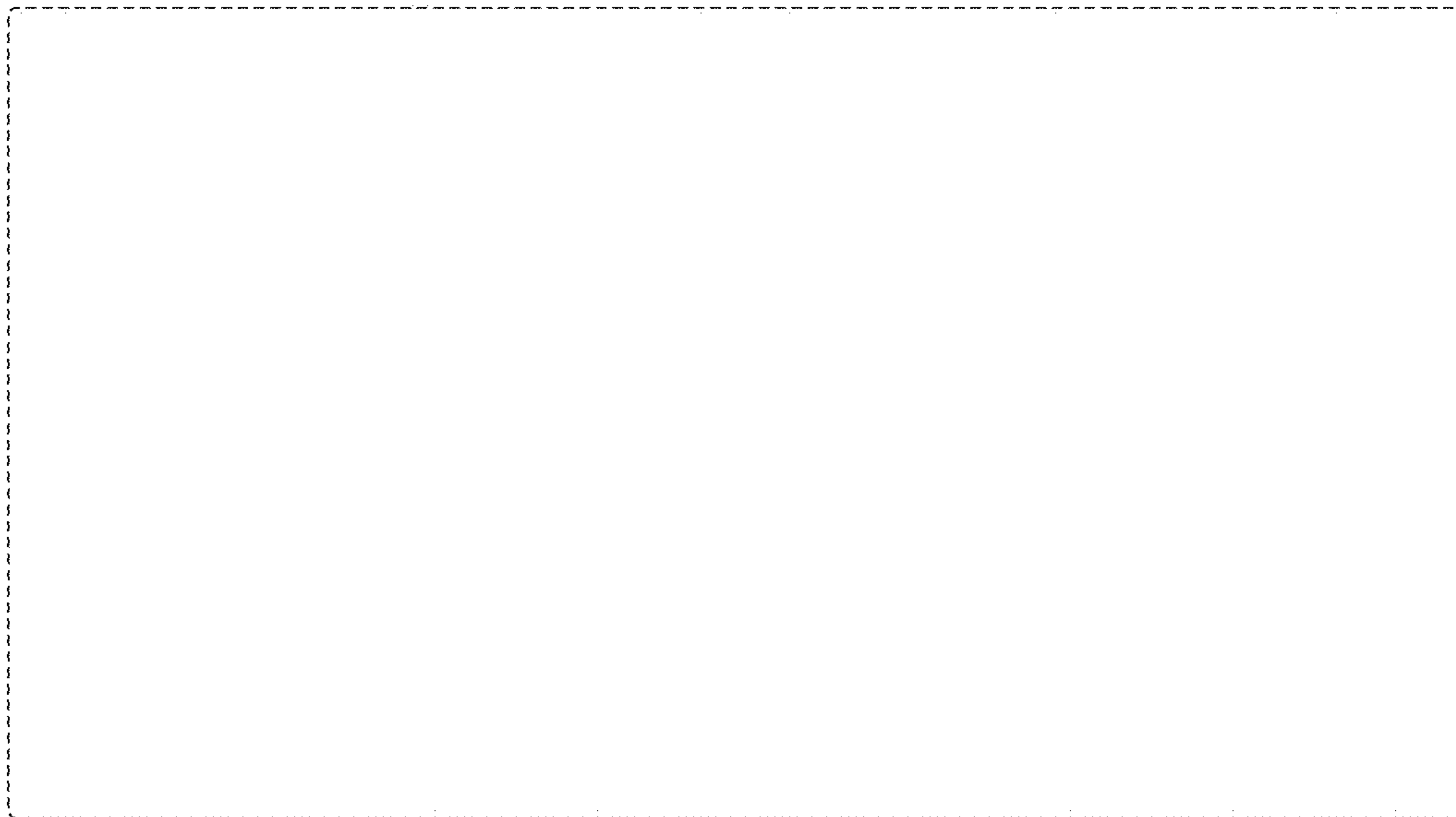


Fig.4

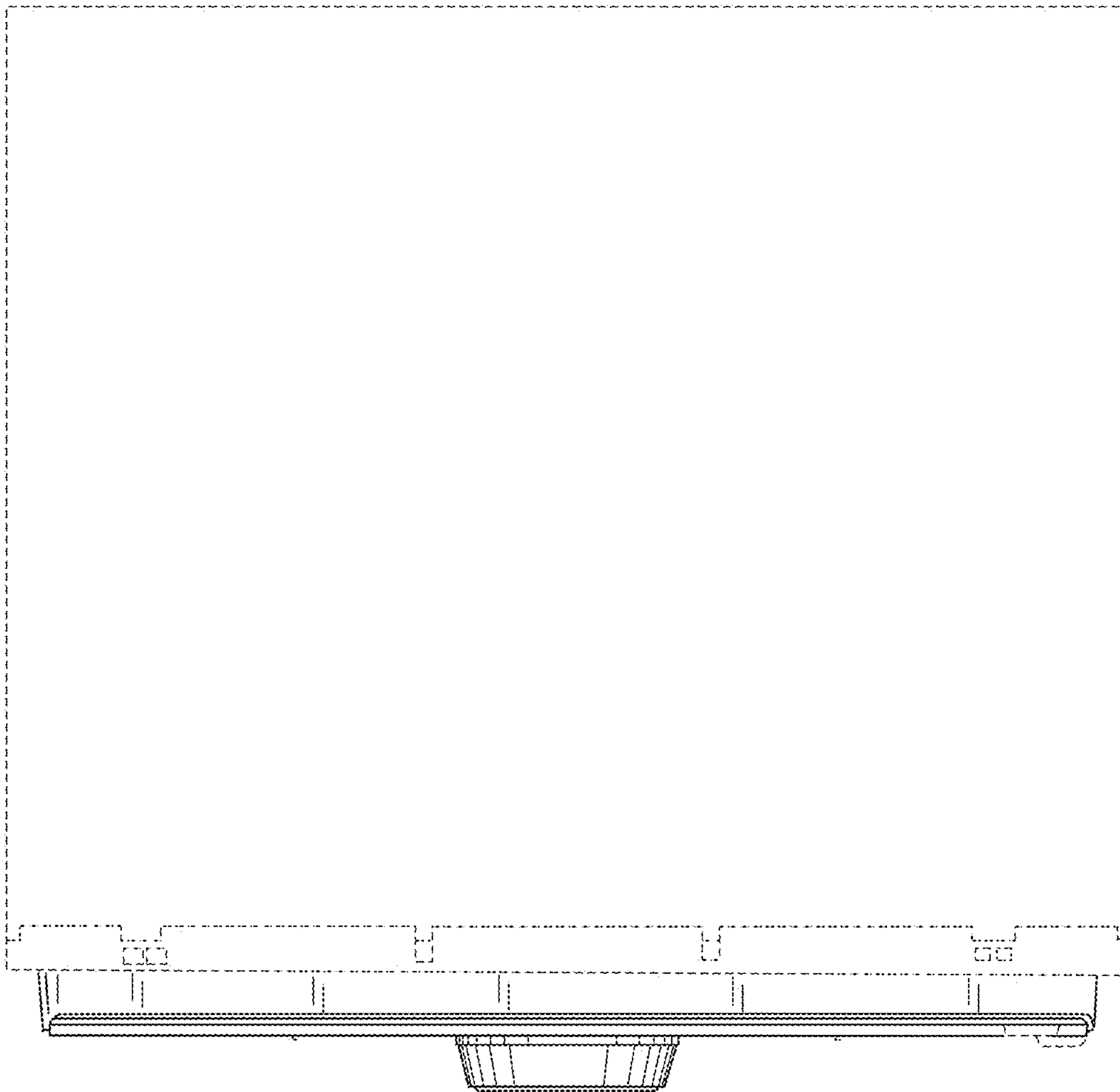


Fig.5

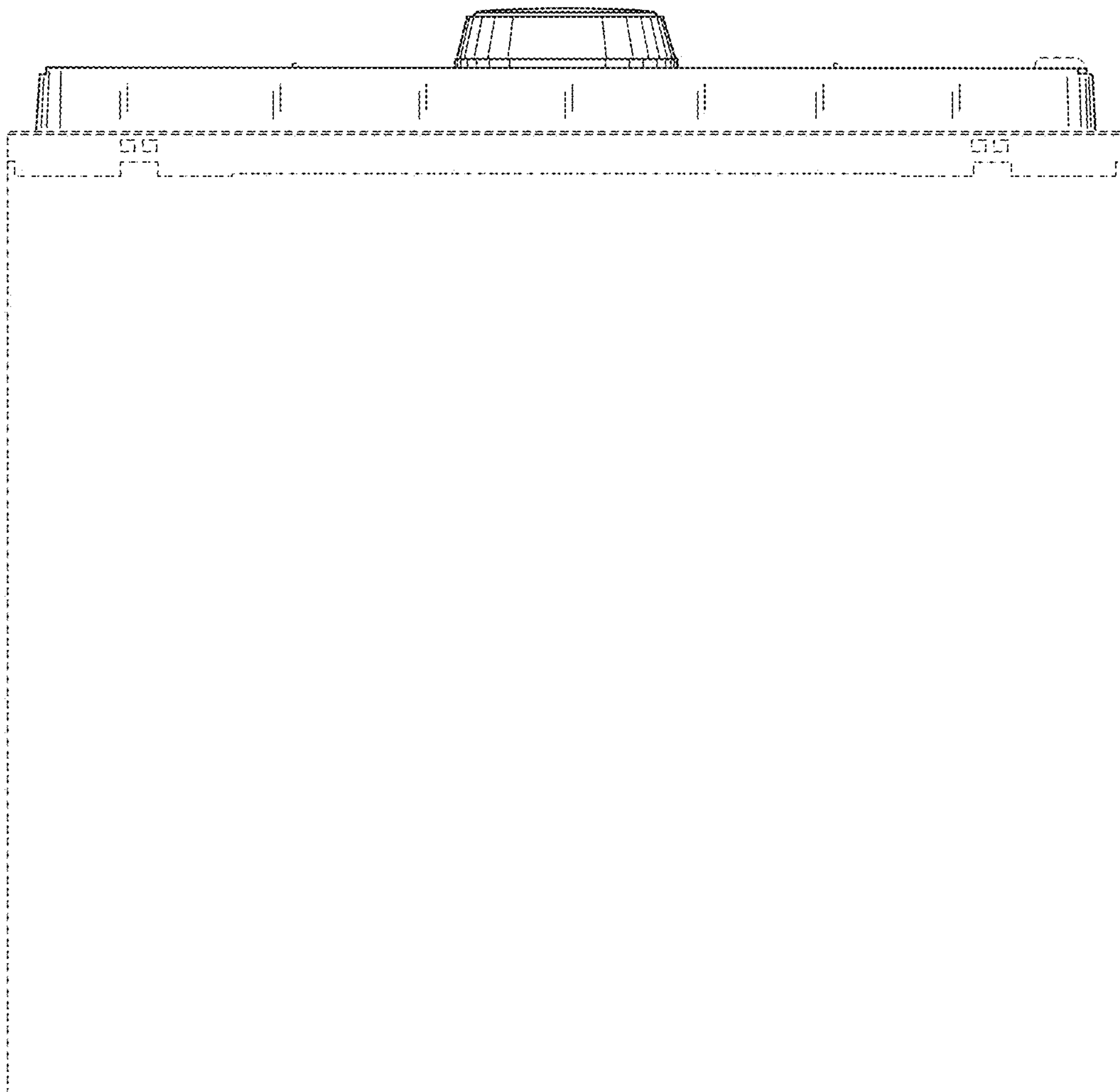


Fig.6



Fig.7

