



US00D905042S

(12) **United States Design Patent**  
**Lim**

(10) **Patent No.:** **US D905,042 S**

(45) **Date of Patent:** **\*\* Dec. 15, 2020**

(54) **MOBILE DEVICE AND ACCESSORY DOCKING STAND**

(71) Applicant: **ESI Cases & Accessories**, New York, NY (US)

(72) Inventor: **Kwangpyo Lim**, New York, NY (US)

(73) Assignee: **ESI Cases & Accessories**, New York, NY (US)

(\*\*) Term: **15 Years**

(21) Appl. No.: **29/708,993**

(22) Filed: **Oct. 10, 2019**

(51) **LOC (12) Cl.** ..... **14-03**

(52) **U.S. Cl.**  
USPC ..... **D14/253**; D14/434; D13/108

(58) **Field of Classification Search**  
USPC ..... D14/251-253, 447, 451, 452, 440, 434;  
D13/107, 108; D12/415; D3/218, 215;  
D8/349

CPC ..... F16M 11/00; F16M 11/04; F16M 11/041;  
F16M 11/02; F16M 11/06; F16M 13/00;  
H04M 1/02; H04M 1/04; H04M 1/11;  
H04M 1/12; A47F 7/022; B62J 11/00;  
H05K 7/00; G03B 17/56

See application file for complete search history.

(56) **References Cited**

**U.S. PATENT DOCUMENTS**

D751,564 S *	3/2016	Hahn	.....	D14/447
D759,647 S *	6/2016	Gallup	.....	D14/253
D762,650 S *	8/2016	Dang	.....	D14/434
D772,216 S *	11/2016	Lau	.....	D14/253
D799,463 S *	10/2017	Deng	.....	D14/252
D799,464 S *	10/2017	Zaihui	.....	D14/252
D813,805 S *	3/2018	Zhong	.....	D13/108
D814,413 S *	4/2018	Zhong	.....	D13/108
D816,027 S *	4/2018	Chen	.....	D13/108

D826,851 S *	8/2018	Wang	.....	D13/108
D840,997 S *	2/2019	Chen	.....	D14/253
D845,308 S *	4/2019	Ma	.....	D14/447
D851,431 S *	6/2019	Jia	.....	D6/682.1
D852,134 S *	6/2019	Mei	.....	D13/108
D852,135 S *	6/2019	Mei	.....	D13/108
D855,566 S *	8/2019	Chen	.....	D13/108
D857,626 S *	8/2019	Zhang	.....	D13/108
D858,437 S *	9/2019	Lu	.....	D13/108
D861,002 S *	9/2019	Bergeron-Mirsky	.....	D14/447
D872,726 S *	1/2020	Lindof	.....	D14/253
D873,216 S *	1/2020	Zhang	.....	D13/108
D873,259 S *	1/2020	Lindof	.....	D14/253
D875,043 S *	2/2020	Yi	.....	D13/108
D877,072 S *	3/2020	Yin	.....	D13/108
D879,035 S *	3/2020	Li	.....	D13/108
D881,123 S *	4/2020	Zhang	.....	D13/108
D884,622 S *	5/2020	Huang	.....	D13/108
D886,051 S *	6/2020	Chen	.....	D13/108

(Continued)

*Primary Examiner* — Janice Hallmark

(74) *Attorney, Agent, or Firm* — Amster, Rothstein & Ebenstein LLP

(57) **CLAIM**

The ornamental design for a mobile device and accessory docking stand, as shown and described.

**DESCRIPTION**

FIG. 1 is a perspective view of a mobile device and accessory docking stand showing my new design;

FIG. 2 is a front view thereof;

FIG. 3 is a back view thereof;

FIG. 4 is a left side view thereof;

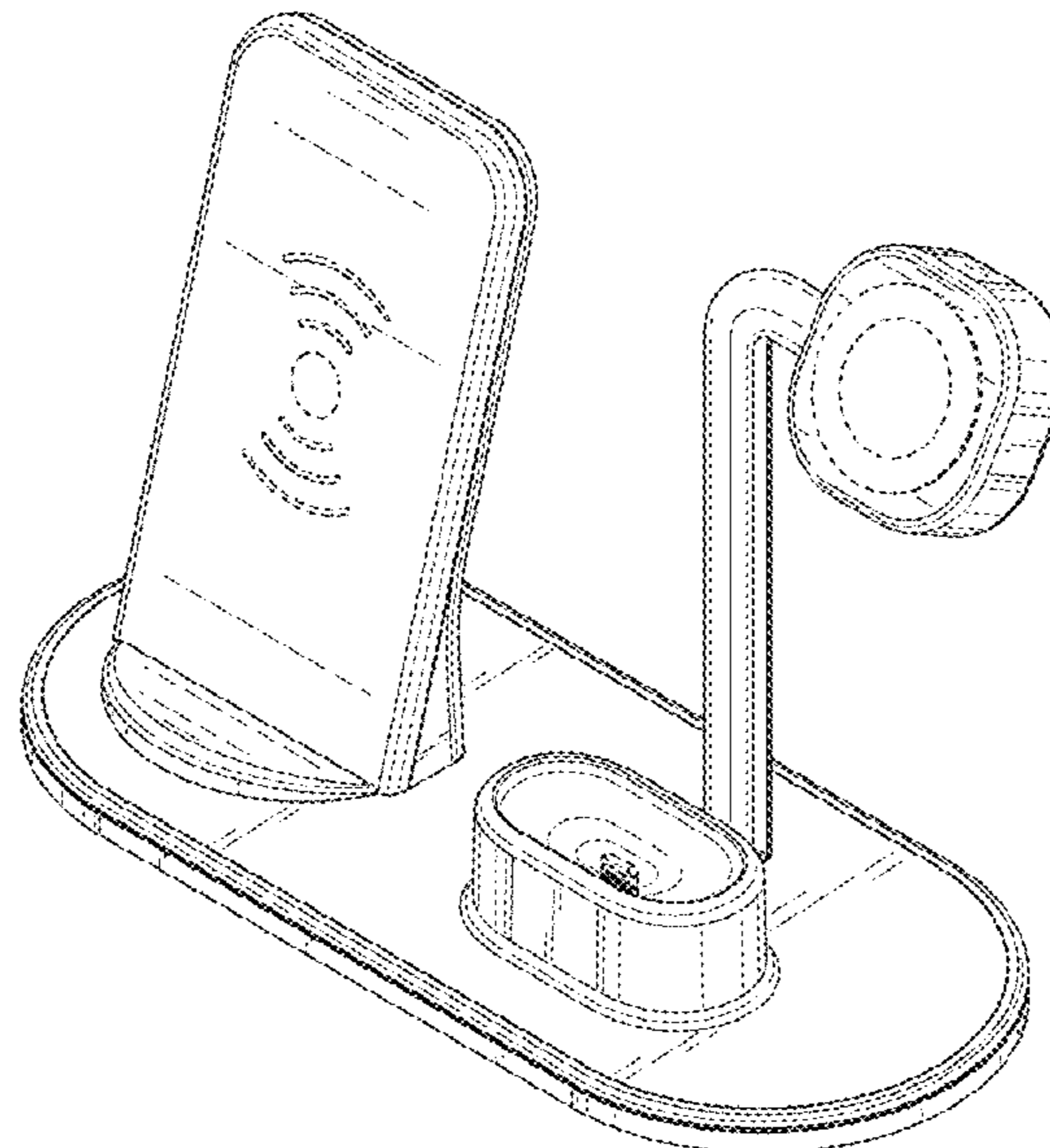
FIG. 5 is a right side view thereof;

FIG. 6 is a top view thereof; and,

FIG. 7 is a bottom view thereof.

The broken lines in FIGS. 1-7 depict portions of the mobile device and accessory docking stand that form no part of the claimed design.

**1 Claim, 7 Drawing Sheets**



(56)

**References Cited**

U.S. PATENT DOCUMENTS

D886,056 S *	6/2020	Zhang .....	D13/108
D886,059 S *	6/2020	Hu .....	D13/108
D889,403 S *	7/2020	Li .....	D13/108
2007/0135174 A1 *	6/2007	Musk .....	H04M 1/04 455/569.1

\* cited by examiner

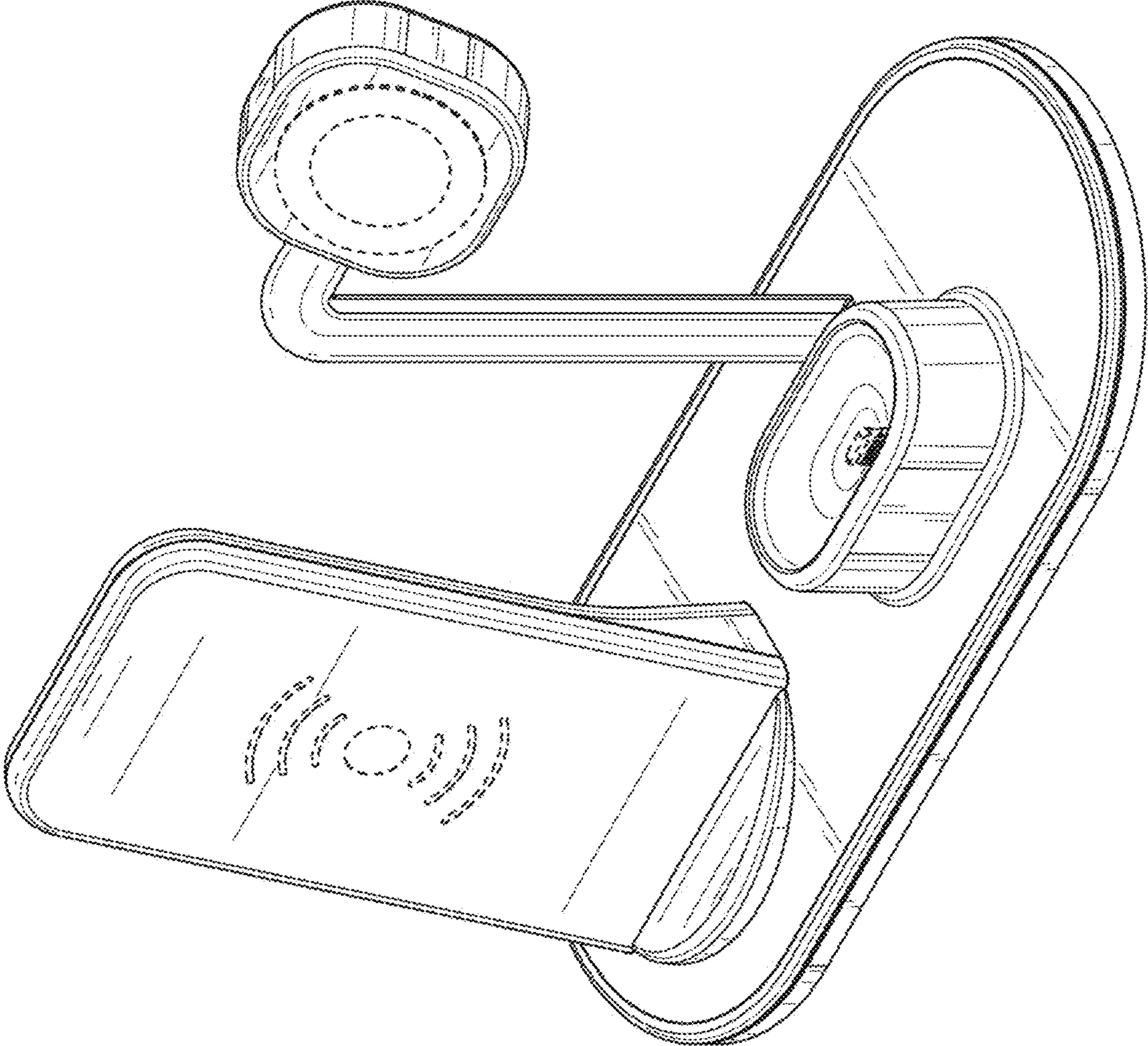


FIG. 1

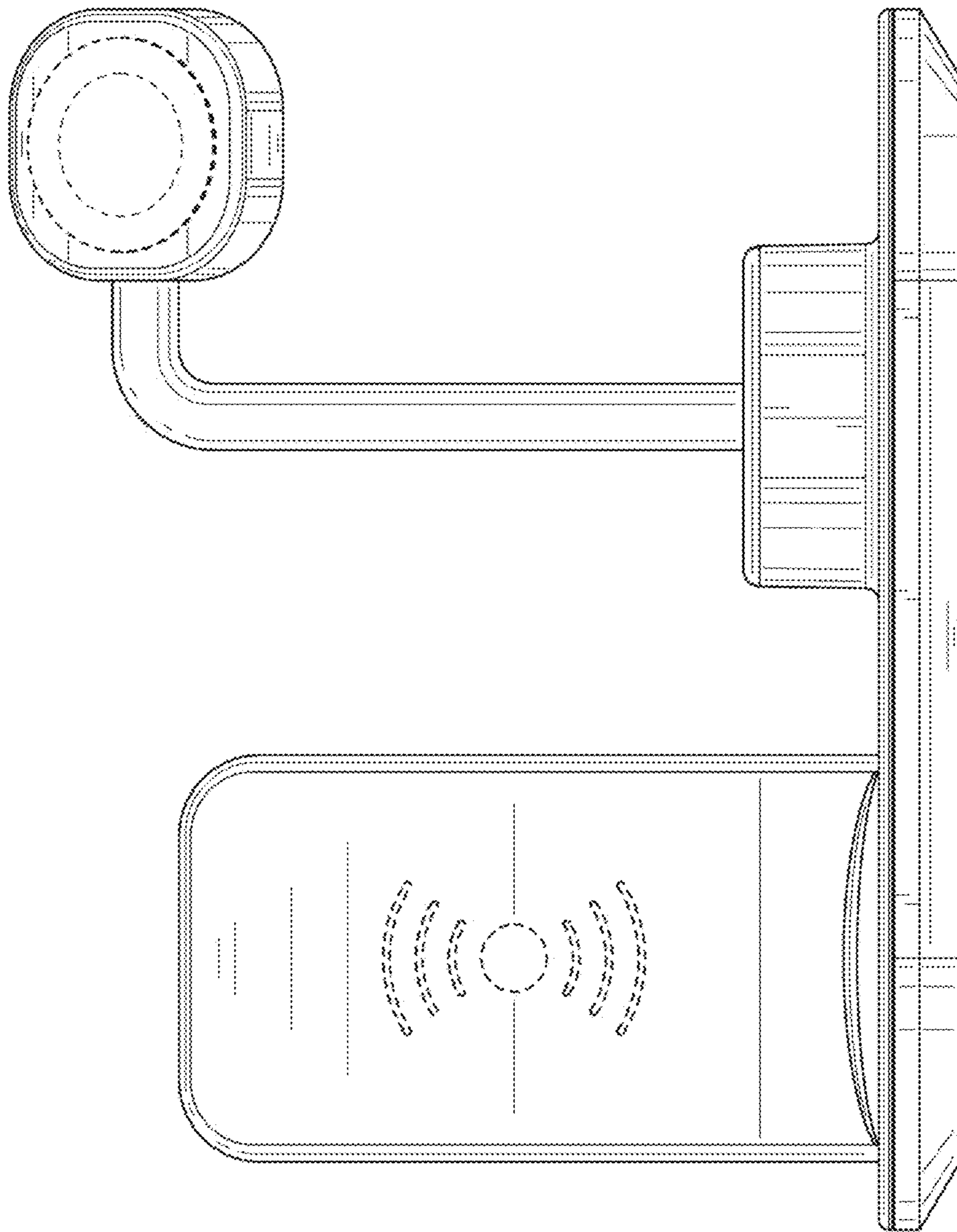


FIG. 2

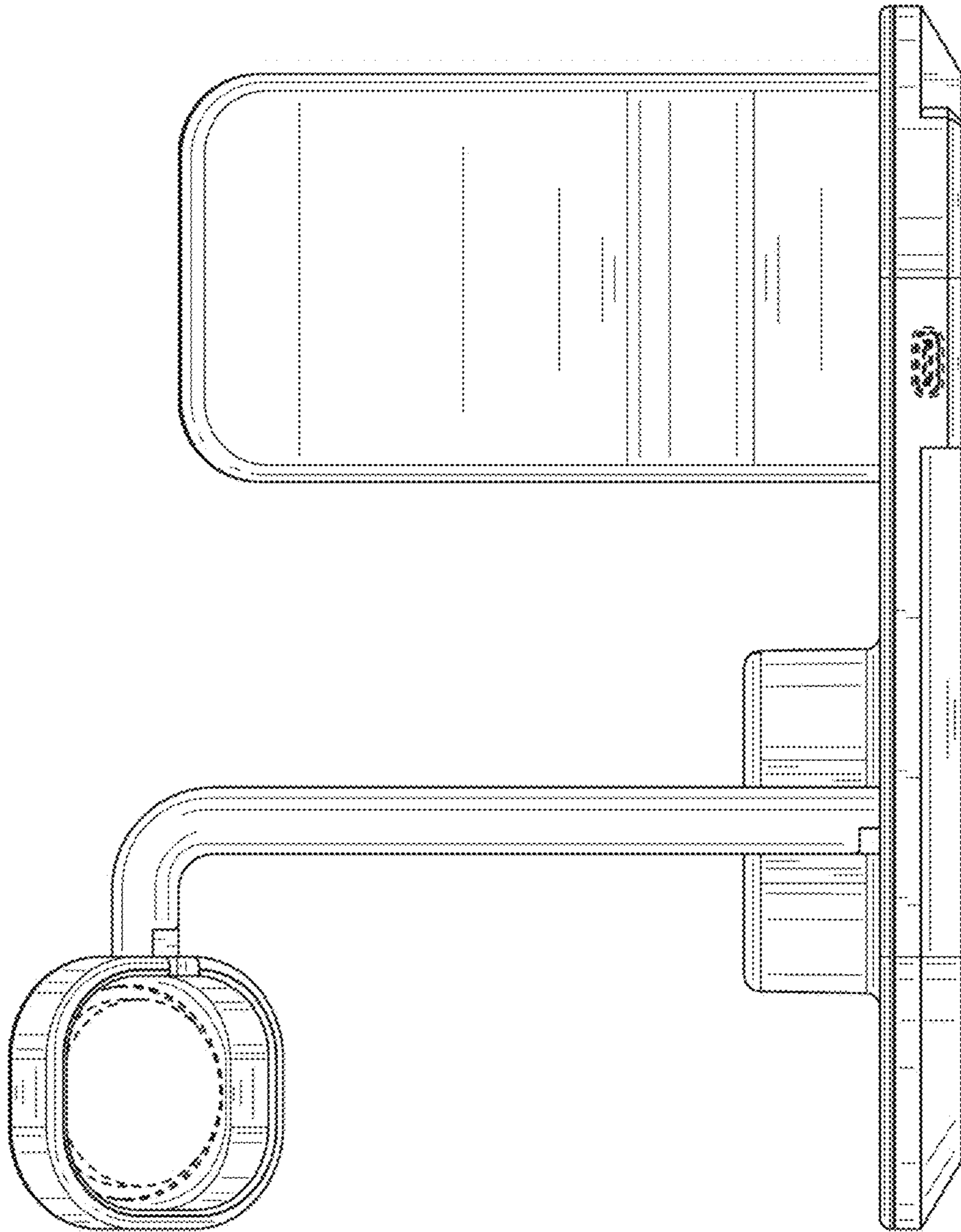


FIG. 3

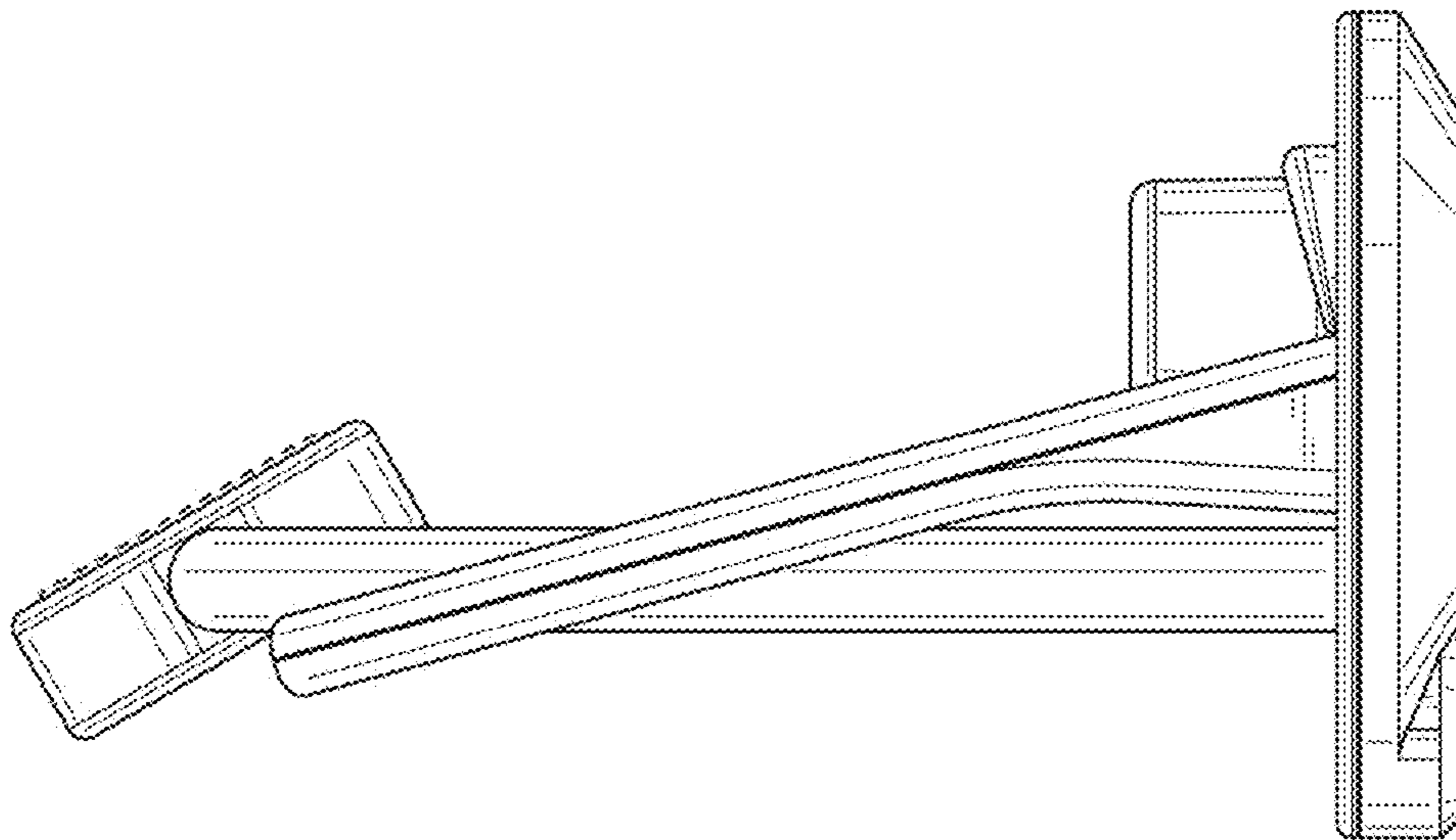


FIG. 4

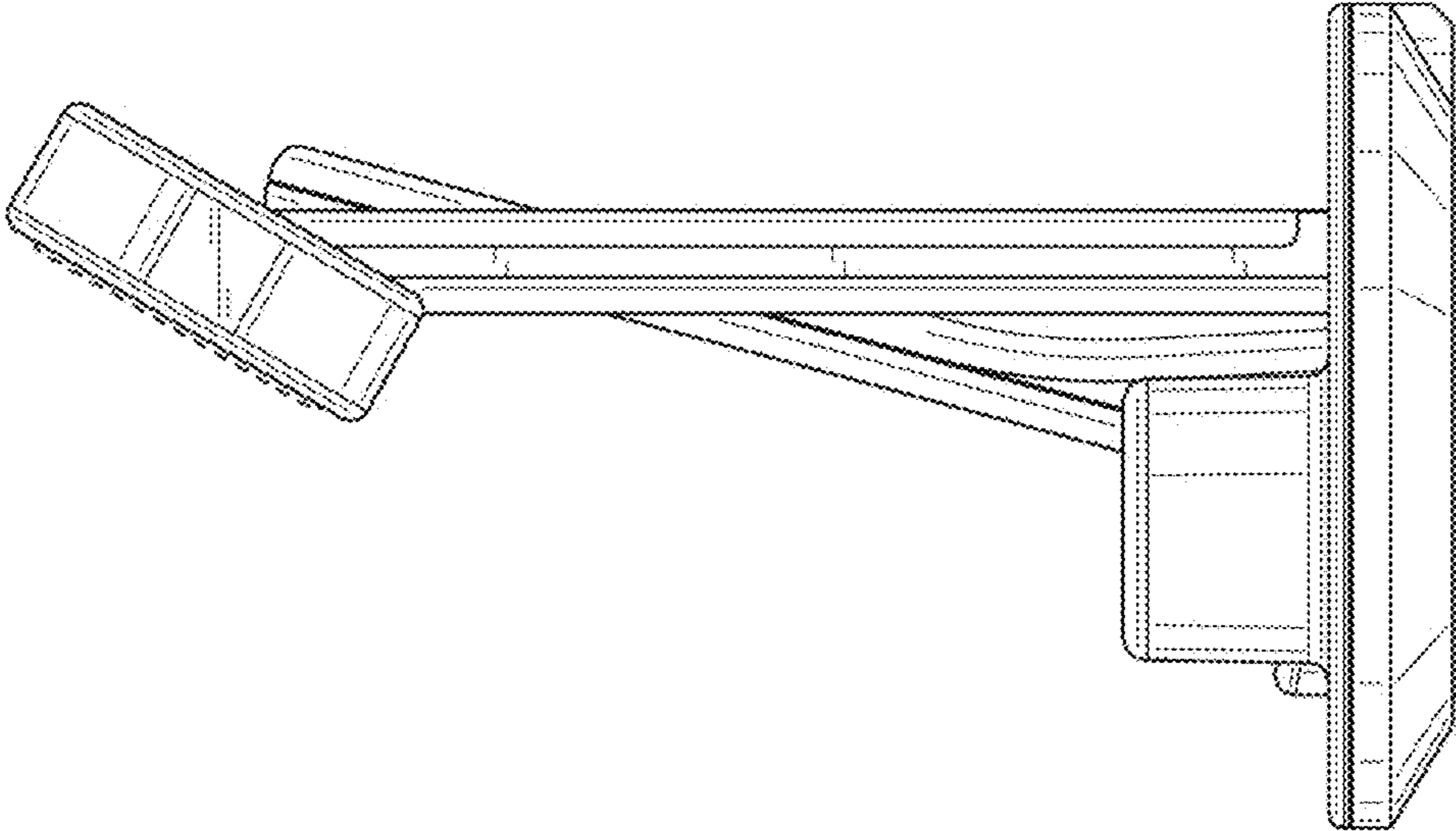


FIG. 5

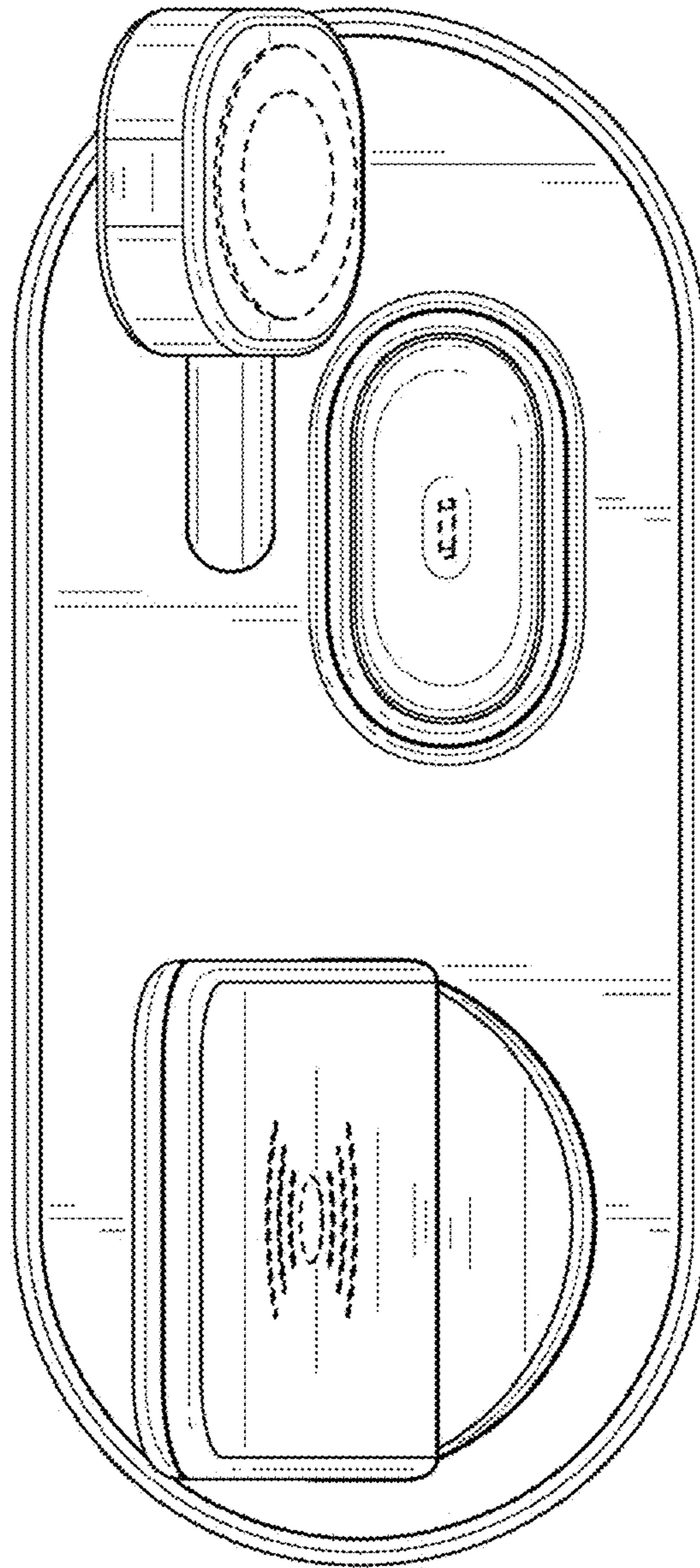


FIG. 6



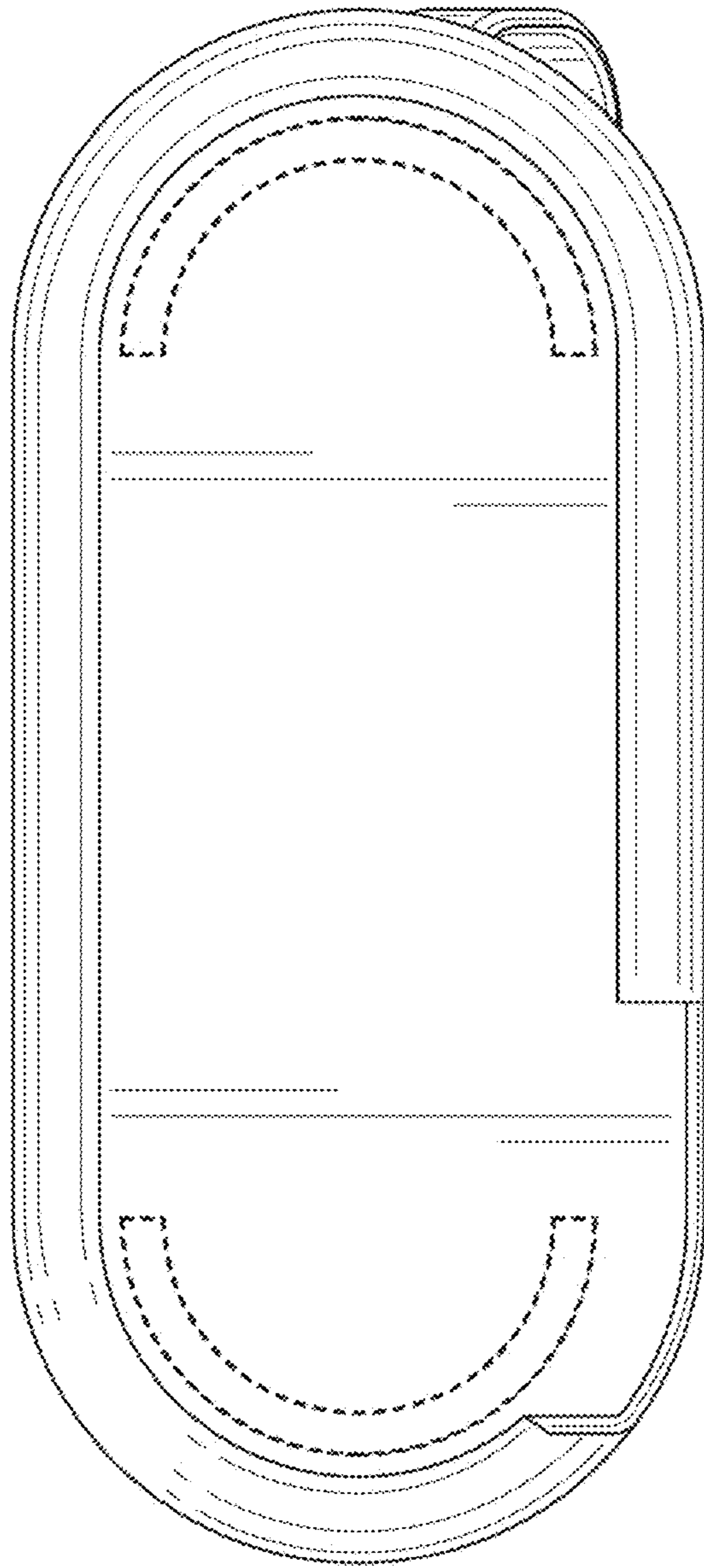


FIG. 7