



US00D905040S

(12) **United States Design Patent**
Altschul et al.

(10) **Patent No.:** **US D905,040 S**

(45) **Date of Patent:** **** Dec. 15, 2020**

(54) **CONFIGURABLE STRAP ACCESSORY FOR A MOBILE COMMUNICATIONS DEVICE**

(71) Applicant: **Catalyst Medium Four, Inc.**, Austin, TX (US)

(72) Inventors: **Matthew Altschul**, Austin, TX (US);
Beejan Soheili, Chula Vista, CA (US)

(73) Assignee: **CATALYST MEDIUM FOUR, INC.**, Austin, TX (US)

(**) Term: **15 Years**

(21) Appl. No.: **29/702,856**

(22) Filed: **Aug. 22, 2019**

(51) **LOC (12) Cl.** **14-03**

(52) **U.S. Cl.**
USPC **D14/251**

(58) **Field of Classification Search**
USPC D14/217, 238.1, 240, 248, 250, 251–253,
D14/439, 440, 447; D13/107–108, 103,
(Continued)

(56) **References Cited**

U.S. PATENT DOCUMENTS

4,763,763 A 8/1988 Sadow
6,547,436 B2 4/2003 Sutton
(Continued)

FOREIGN PATENT DOCUMENTS

JP 2006279907 A 10/2006

OTHER PUBLICATIONS

Amazon.com product listing for “Fourplusone Cell Phone Grip, Universal Handheld Finger Strap Loop Holder,” retrieved online on Aug. 22, 2019, at <https://www.amazon.com/Universal-Handheld-Samsung-Smartphone-FourPlusOne/dp/B07DNTY4NQ>.

(Continued)

Primary Examiner — Khawaja Anwar
Assistant Examiner — Mojtaba Tehrani

(74) *Attorney, Agent, or Firm* — Scheinberg & Associates, PC; John B. Kelly

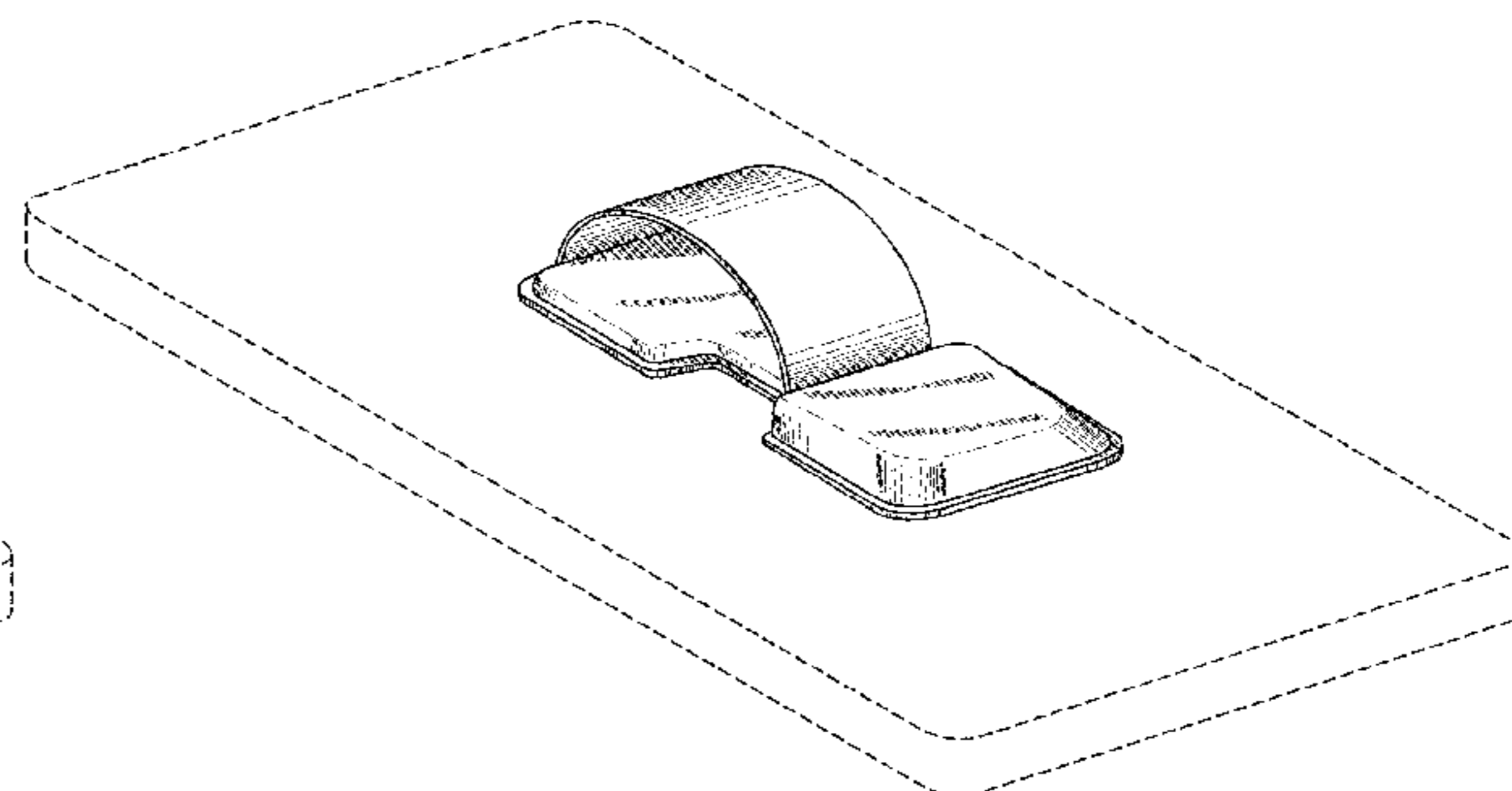
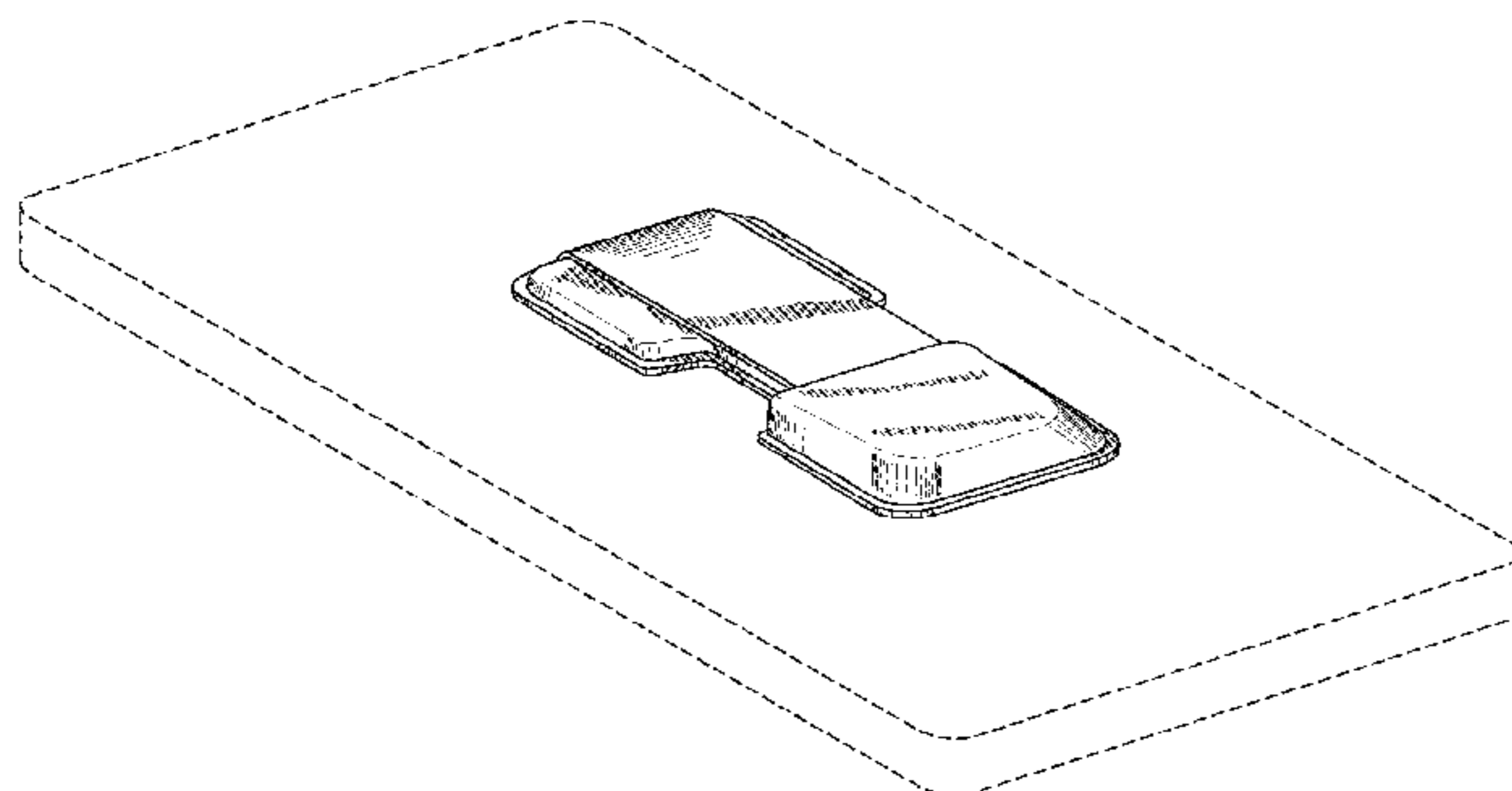
(57) **CLAIM**

The ornamental design for a configurable strap accessory for a mobile communications device, as shown and described.

DESCRIPTION

FIG. 1 is a top, front, and right-side perspective view of a configurable strap accessory for a mobile communications device, showing our new design in a first configuration; FIG. 2 is a top, front, and right-side perspective view of the present design in a second configuration; FIG. 3 is a top, front, and right-side perspective view of the present design in the first configuration. FIG. 4 is a back elevation view of the present design in the first configuration. FIG. 5 is a front elevation view of the present design in the first configuration. FIG. 6 is a bottom plan view of the present design in the first configuration. FIG. 7 is a top plan view of the present design in the first configuration. FIG. 8 is right-side elevation view of the present design in the first configuration. FIG. 9 is left-side elevation view of the present design in the first configuration. FIG. 10 is a top, front, and right-side perspective view of the present design in the second configuration. FIG. 11 is a back elevation view of the present design in the second configuration. FIG. 12 is a front elevation view of the present design in the second configuration. FIG. 13 is a bottom plan view of the present design in the second configuration. FIG. 14 is a top plan view of the present design in the second configuration. FIG. 15 is right-side elevation view of the present design in the second configuration; and, FIG. 16 is left-side elevation view of the present design in the second configuration.

(Continued)



The broken lines depicting portions of a mobile communications device represent environmental subject matter that forms no part of the claimed design.

1 Claim, 5 Drawing Sheets

(58) **Field of Classification Search**

USPC D13/119; D3/201, 218, 247, 269, 273, D3/301, 303, 249

CPC H04B 1/3888; H04M 1/0283; H04M 1/0202; A45C 1/06; A45C 11/00; A45C 13/02; A45C 2011/002; A45F 2005/026; A45F 2200/0525; A45F 2200/0516

See application file for complete search history.

(56) **References Cited**

U.S. PATENT DOCUMENTS

6,662,986	B2	12/2003	Lehtonen	
8,347,657	B2	1/2013	Kim et al.	
8,374,657	B2	2/2013	Interdonato	
8,428,664	B1	4/2013	Wyers	
D689,479	S *	9/2013	Soffer	D14/253
8,550,317	B2	10/2013	Hyseni	
8,561,862	B2	10/2013	Foggiato	
8,567,832	B2	10/2013	Kannaka	
8,600,461	B2	12/2013	Kroupa	
8,746,448	B1 *	6/2014	Bellace	A45F 5/00 206/320
8,764,448	B2	7/2014	Yang et al.	
8,833,620	B2	9/2014	Interdonato	
8,950,638	B2	2/2015	Wangercyn, Jr. et al.	
9,155,377	B2	10/2015	Wangercyn, Jr. et al.	
9,259,077	B2	2/2016	Murphy et al.	
9,362,968	B1	6/2016	Haymond	
9,407,743	B1	8/2016	Hirshberg	
9,531,423	B2	12/2016	Gordon	
9,647,714	B2	5/2017	Hirsch	
9,979,428	B2 *	5/2018	Tomobe	H04B 1/385
D819,603	S *	6/2018	Pearce	D14/217

10,001,243	B2	6/2018	Cavalcante	
10,063,272	B1	8/2018	Yeo	
10,128,891	B2	11/2018	Qian et al.	
D841,638	S *	2/2019	Jackson	D14/250
10,213,010	B2 *	2/2019	Pearce	B25G 1/102
D842,290	S *	3/2019	Robertson	D14/250
D845,955	S *	4/2019	Zhong	D14/439
D857,005	S *	8/2019	Yu	D14/253
D860,984	S *	9/2019	Stagge	D14/250
10,554,798	B2 *	2/2020	Britt	H04M 1/18
10,561,228	B2 *	2/2020	Britt	A45F 5/10
D877,154	S *	3/2020	Hummel	D14/447
D877,738	S *	3/2020	Altschul	D14/432
D878,350	S *	3/2020	Stagge	D14/253
10,694,837	B1 *	6/2020	Altschul	H04M 1/04
D894,167	S *	8/2020	Feller	D14/251
D894,889	S *	9/2020	Feller	D14/251
2009/0088230	A1	4/2009	Park	
2009/0270050	A1 *	10/2009	Brown	H04B 1/3833 455/90.3
2011/0267748	A1 *	11/2011	Lane	A45F 5/00 361/679.01
2012/0048873	A1	3/2012	Hyseni	
2012/0299318	A1	11/2012	Murphy et al.	
2013/0082471	A1	4/2013	Castorano	
2013/0240380	A1	9/2013	Hansen	
2014/0217135	A1 *	8/2014	Murphy	F16M 13/04 224/218
2014/0261541	A1	9/2014	Lawler	
2017/0194999	A1 *	7/2017	Rothbaum	H04M 1/15
2017/0328514	A1	11/2017	Cavalcante	
2019/0055062	A1 *	2/2019	Winn	H04B 1/3888

OTHER PUBLICATIONS

Amazon.com product listing for “Speck Products GrabTab Cell Phone Holder and Stand, Works with Most Cell Phones,” retrieved online on Aug. 22, 2019, at <https://www.amazon.com/Speck-Products-GrabTab-Holder-Phones/dp/B07H5LCK1T>.
 Speckproducts.com product listing for “GrabTab Basics Collection,” retrieved online on Aug. 22, 2019, from <https://www.speckproducts.com/accessories/grabtab-basics-collection/SPKGT-BSC.html>.

* cited by examiner

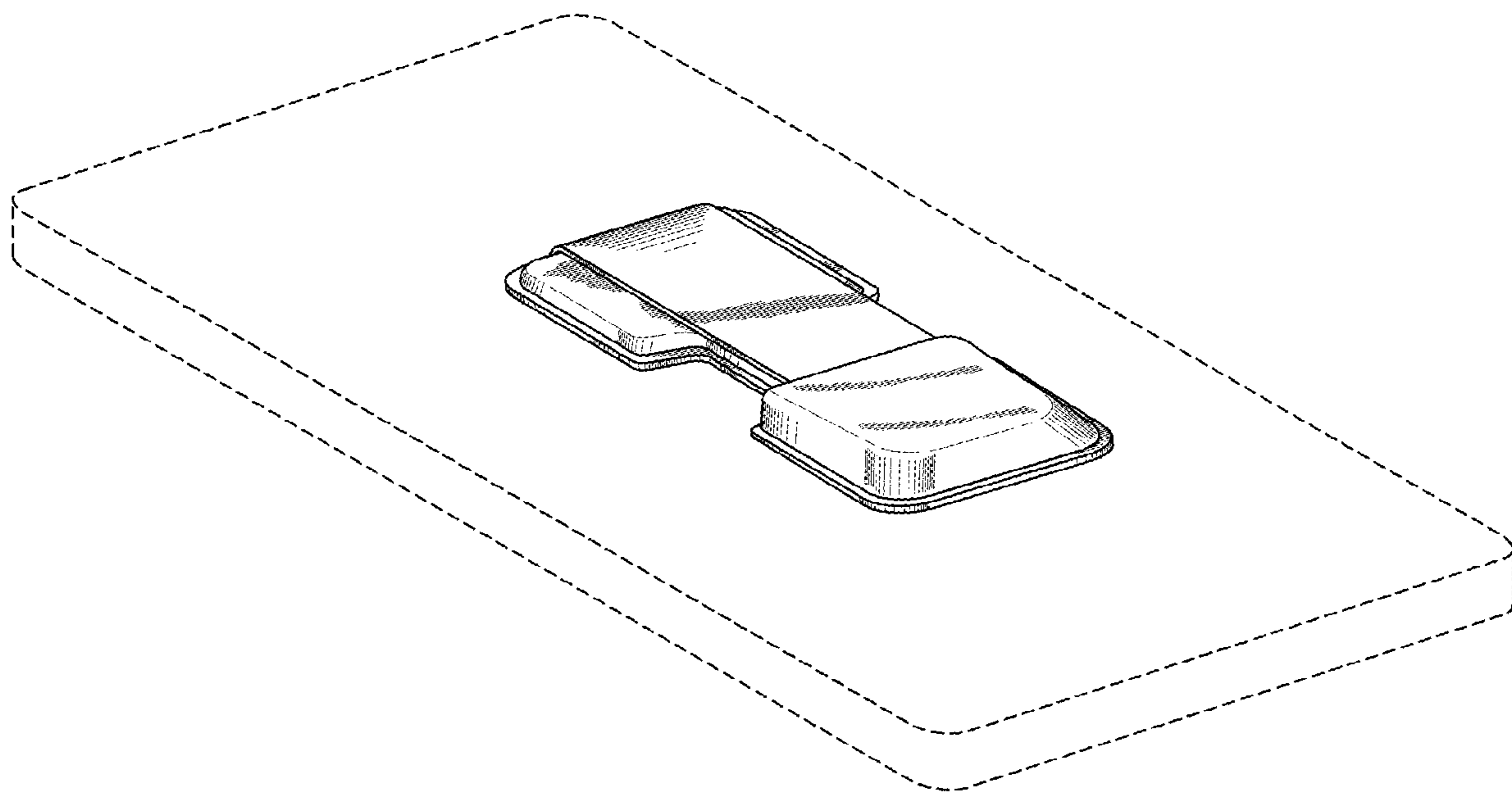


FIG. 1

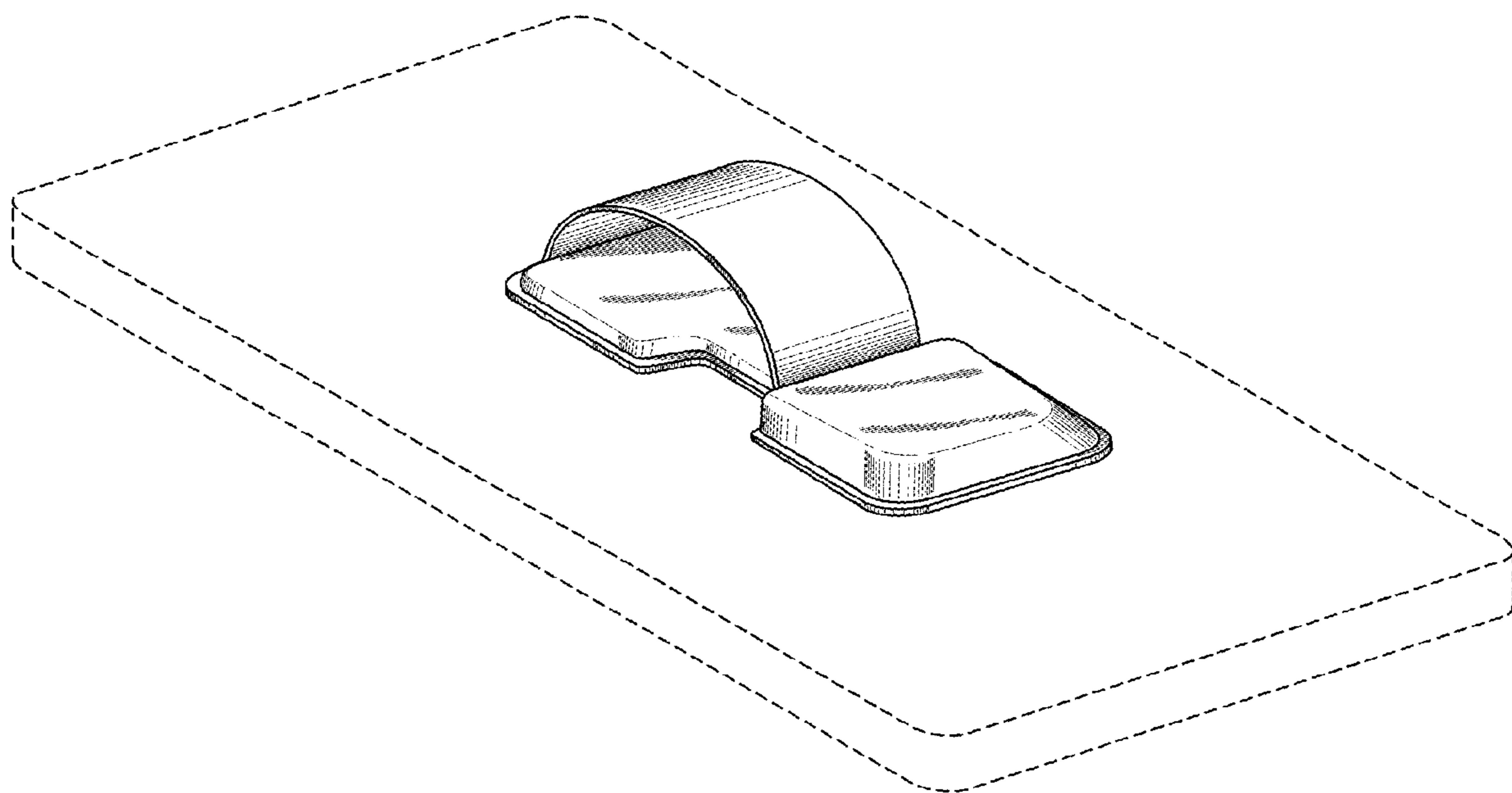


FIG. 2

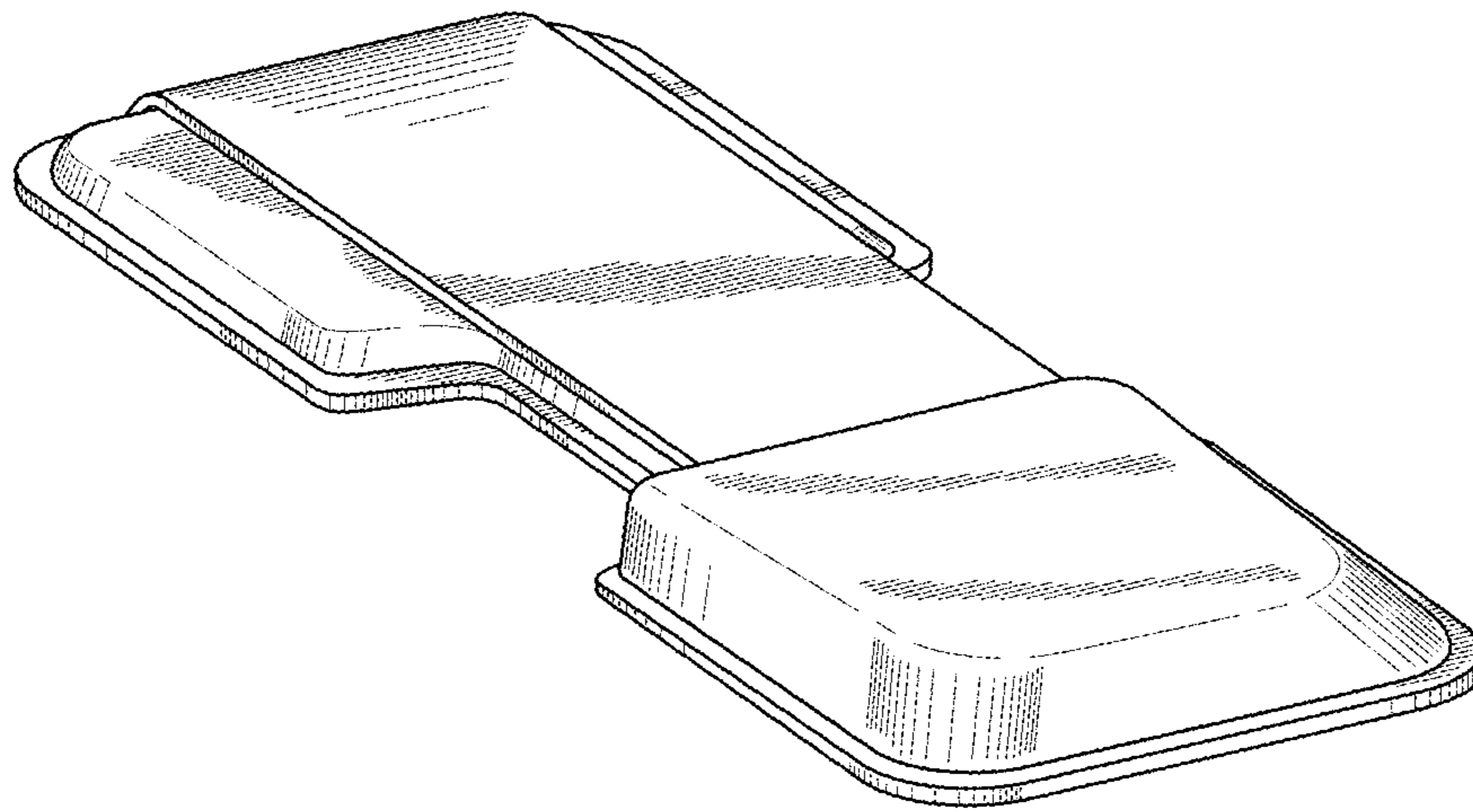


FIG. 3

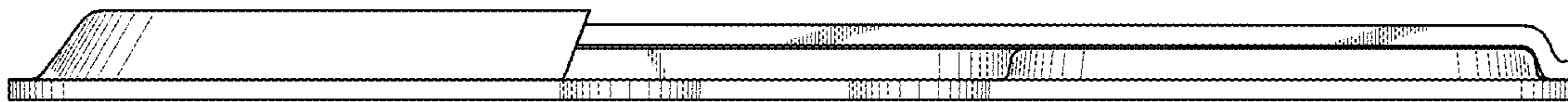


FIG. 4



FIG. 5

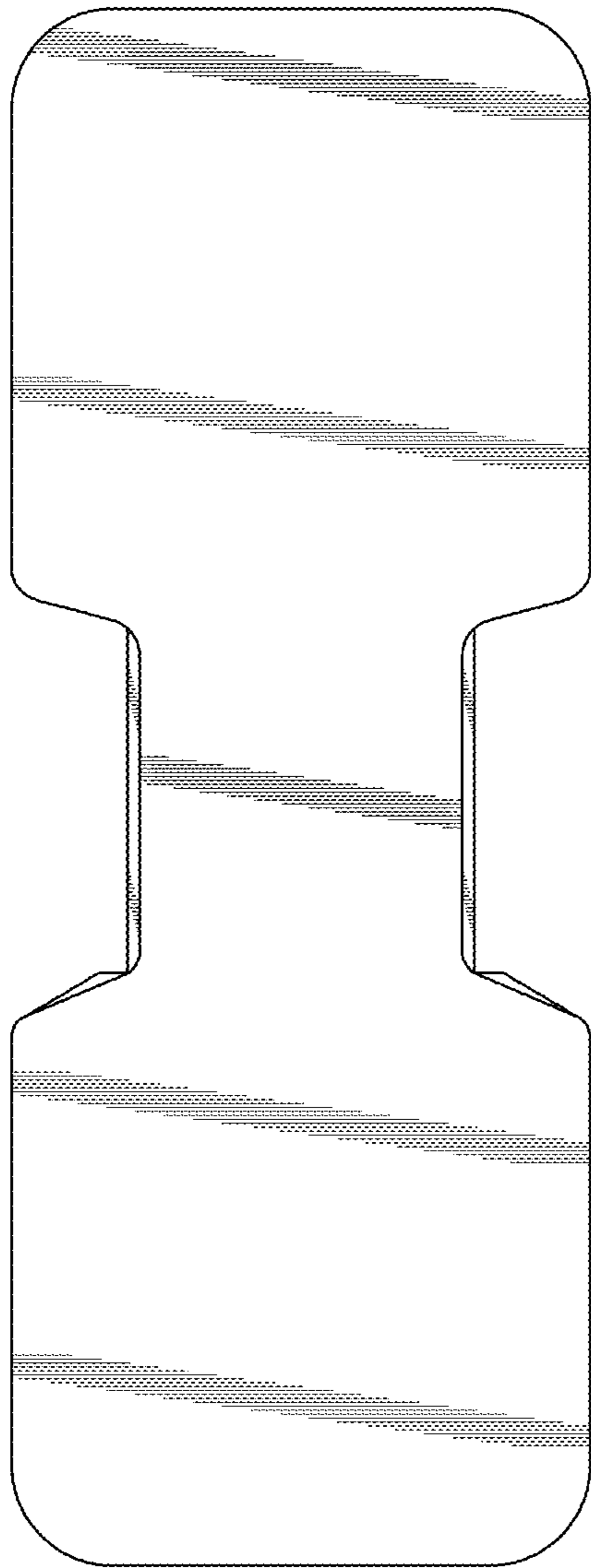


FIG. 6

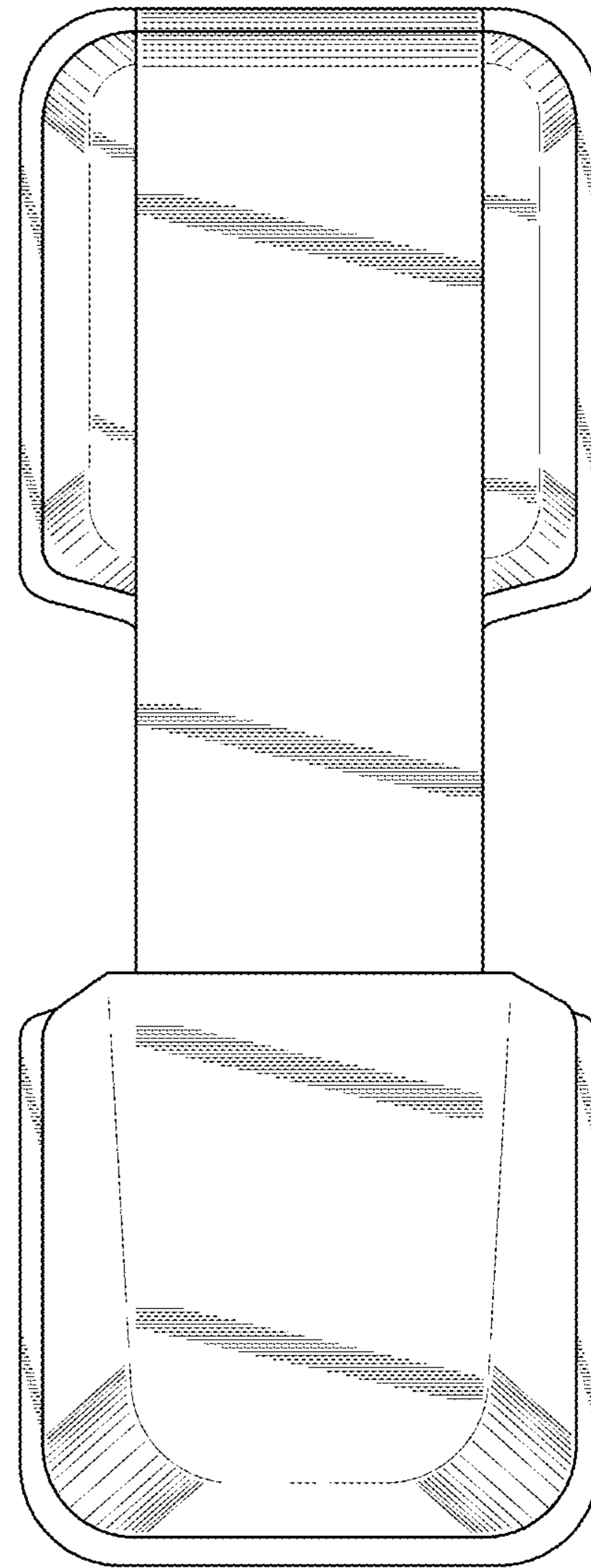


FIG. 7



FIG. 8

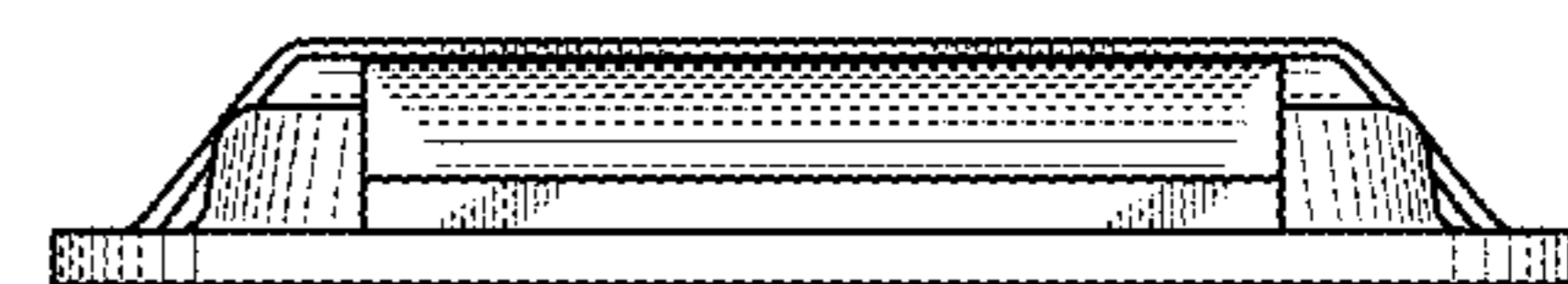


FIG. 9

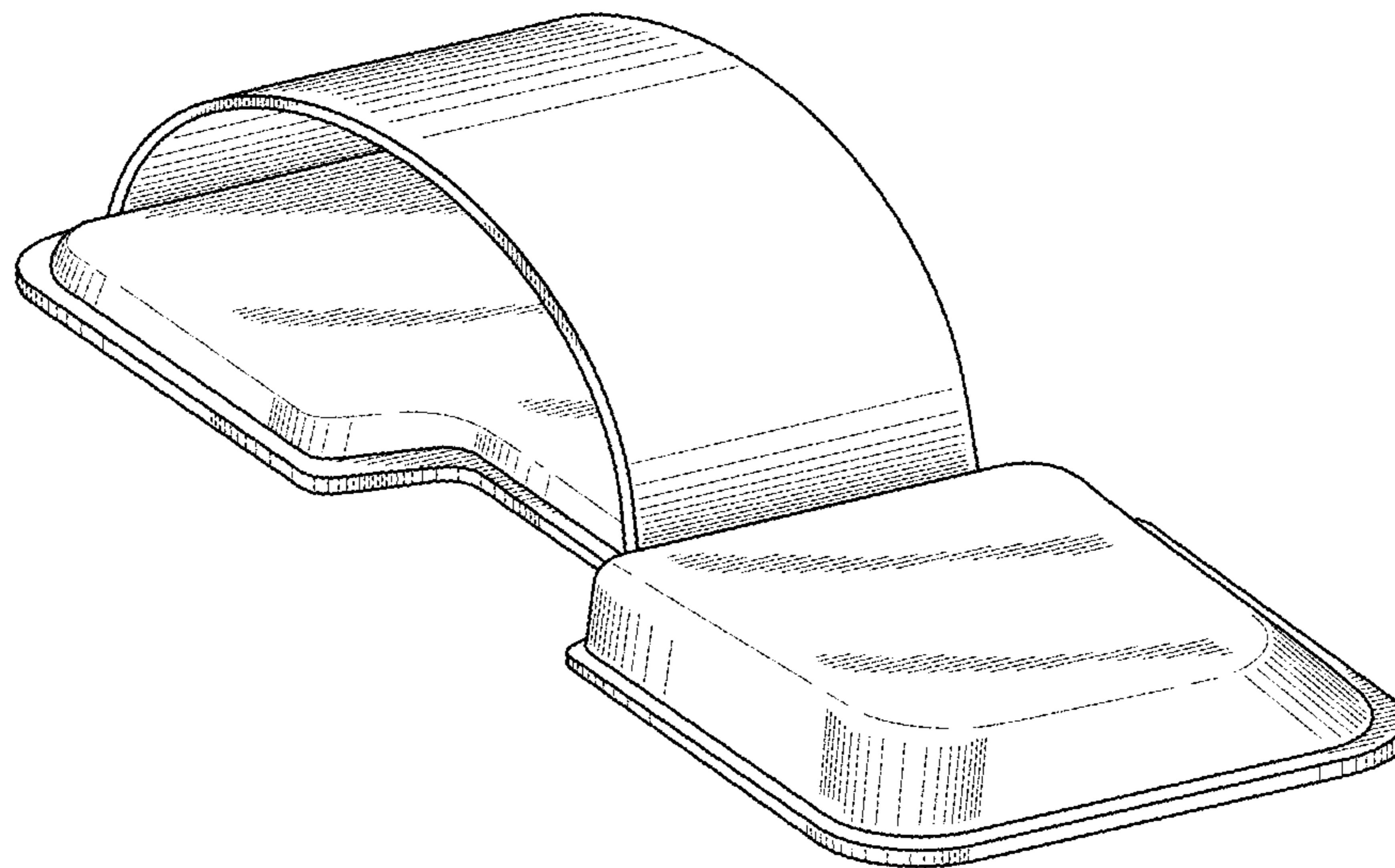


FIG. 10

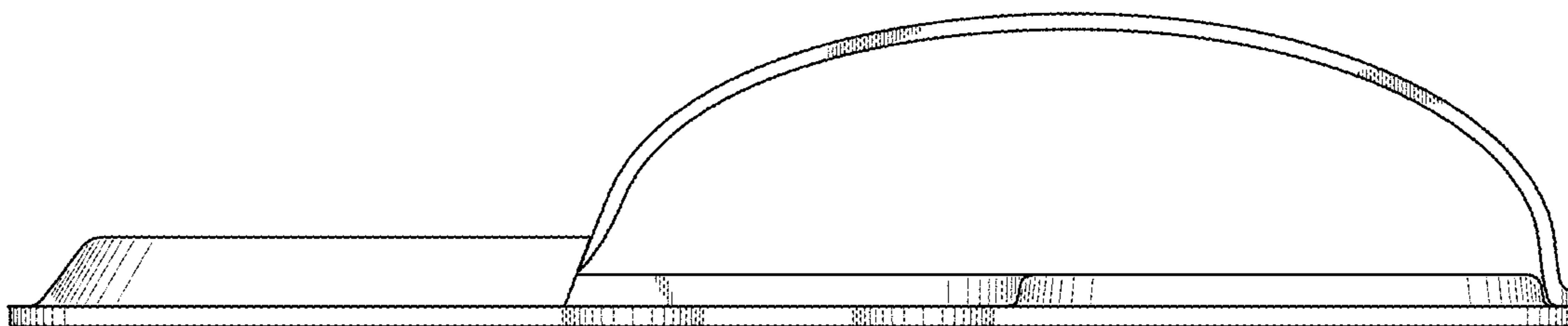


FIG. 11

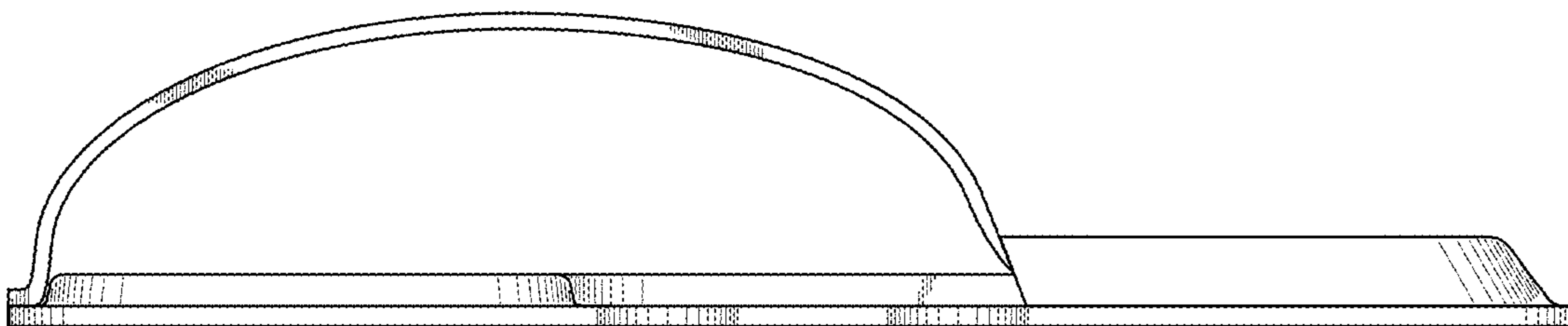


FIG. 12

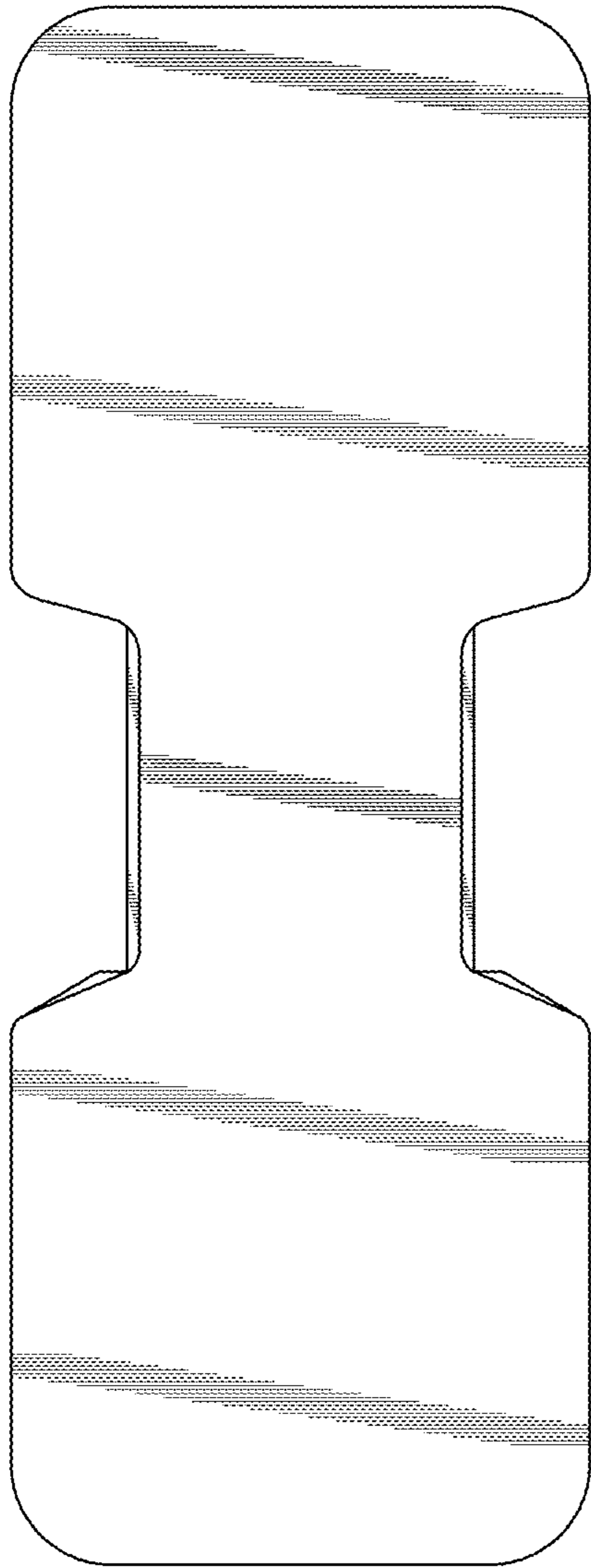


FIG. 13

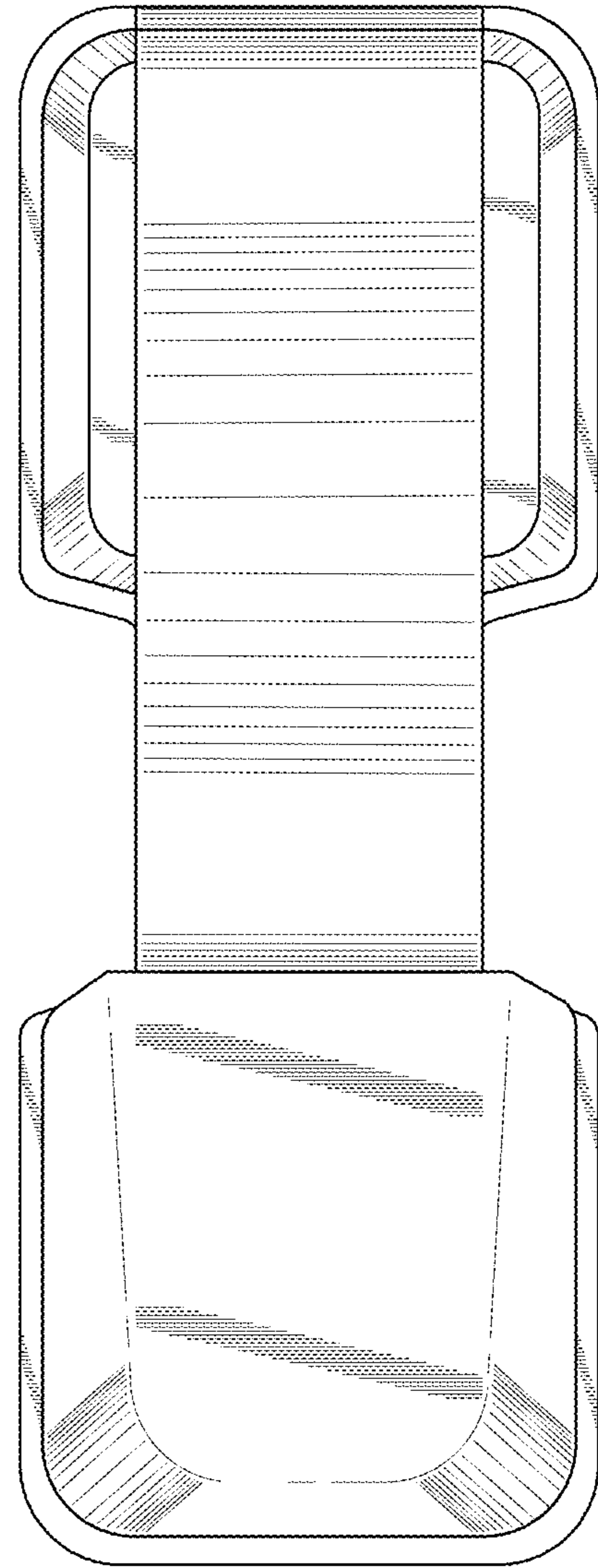


FIG. 14

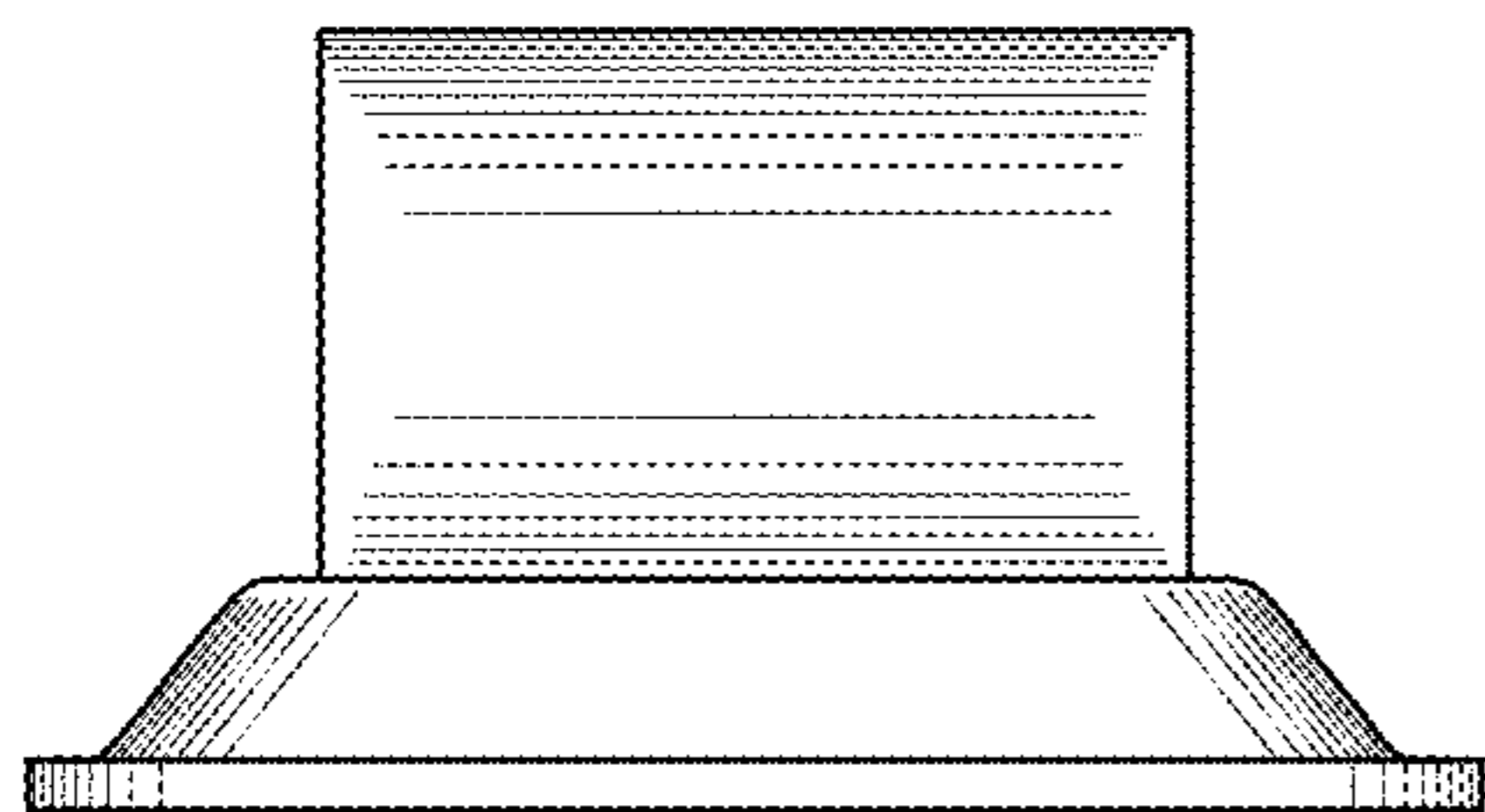


FIG. 15

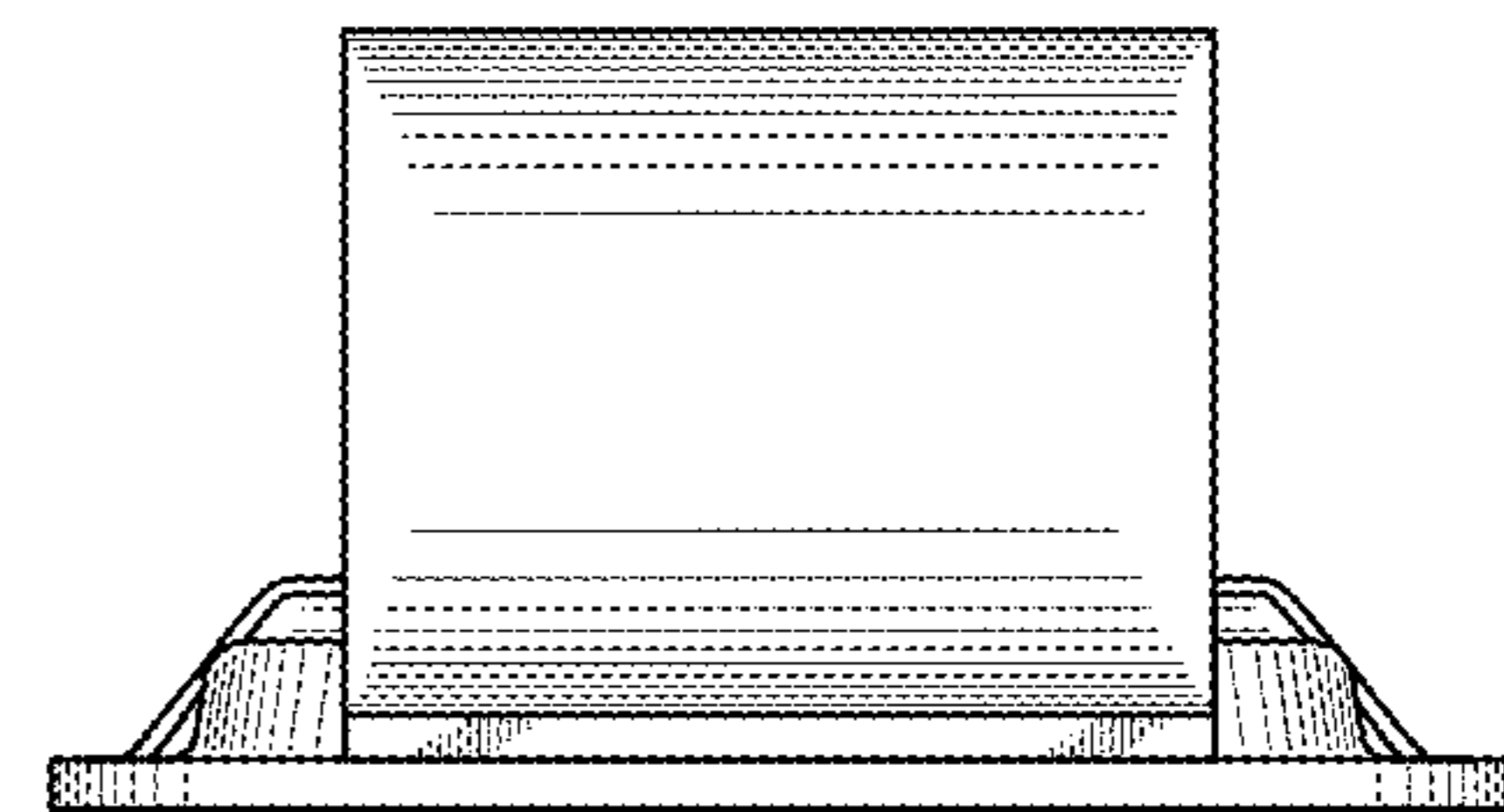


FIG. 16