



US00D905039S

(12) **United States Design Patent**  
**Zhao**

(10) **Patent No.:** **US D905,039 S**

(45) **Date of Patent:** **\*\* Dec. 15, 2020**

(54) **PHONE COVER**

(71) Applicant: **Jing Zhao**, Shenzhen (CN)

(72) Inventor: **Jing Zhao**, Shenzhen (CN)

(\*\*) Term: **15 Years**

(21) Appl. No.: **29/720,809**

(22) Filed: **Jan. 16, 2020**

(51) **LOC (12) Cl.** ..... **14-03**

(52) **U.S. Cl.**

USPC ..... **D14/250**

(58) **Field of Classification Search**

USPC ..... D14/440, 203.3–203.7, 439, 238.1,  
D14/251–253, 447, 217, 240, 248, 250;  
D3/201, 218, 247, 269, 273, 301, 303,  
D3/249; D13/103, 119, 107–108  
CPC ..... H04B 1/3888; H04M 1/0283; H04M  
1/0202; A45C 1/06; A45C 11/00; A45C  
13/02; A45C 2011/002; A45F 2005/026;  
A45F 2200/0525; A45F 2200/0516

See application file for complete search history.

(56) **References Cited**

**U.S. PATENT DOCUMENTS**

D615,078 S *	5/2010	Bradley	.....	D14/250
D624,064 S *	9/2010	Esposito	.....	D14/250
D631,246 S *	1/2011	Boettner	.....	D3/203.2
D651,791 S *	1/2012	Cataldo	.....	D3/218
D653,656 S *	2/2012	Charnas	.....	D14/250
D688,655 S *	8/2013	Rey-Hipolito	.....	D14/250
D721,689 S *	1/2015	Altschul	.....	H04B 1/3888 D14/250
D723,532 S *	3/2015	Stevinson	.....	D14/250
D759,966 S *	6/2016	Pignotti	.....	D3/247
D776,100 S	1/2017	Igarashi	.....	
D776,101 S *	1/2017	Poon	.....	D14/250
D776,646 S *	1/2017	Deng	.....	D14/250
D789,343 S *	6/2017	Hawes	.....	D14/250
D793,379 S *	8/2017	Zhang	.....	D14/250

D794,007 S *	8/2017	Zhang	.....	D14/250
D808,945 S	1/2018	Yeo et al.	.....	
D827,629 S *	9/2018	Yu	.....	D14/250
D829,202 S *	9/2018	Ma	.....	D14/250
D830,354 S *	10/2018	Deng	.....	D14/250
D830,356 S *	10/2018	Deng	.....	D14/250
D835,087 S *	12/2018	Wilder	.....	D14/250
D855,046 S	7/2019	Wei	.....	
D869,453 S *	12/2019	Wilder	.....	D14/250
D871,759 S *	1/2020	Ma	.....	D3/249
2014/0083876 A1 *	3/2014	Lin	.....	A45C 11/00 206/37
2014/0216976 A1 *	8/2014	Conarro	.....	A45F 5/021 206/525
2019/0269212 A1 *	9/2019	Swart	.....	A45C 13/005

\* cited by examiner

*Primary Examiner* — Carla J Wright

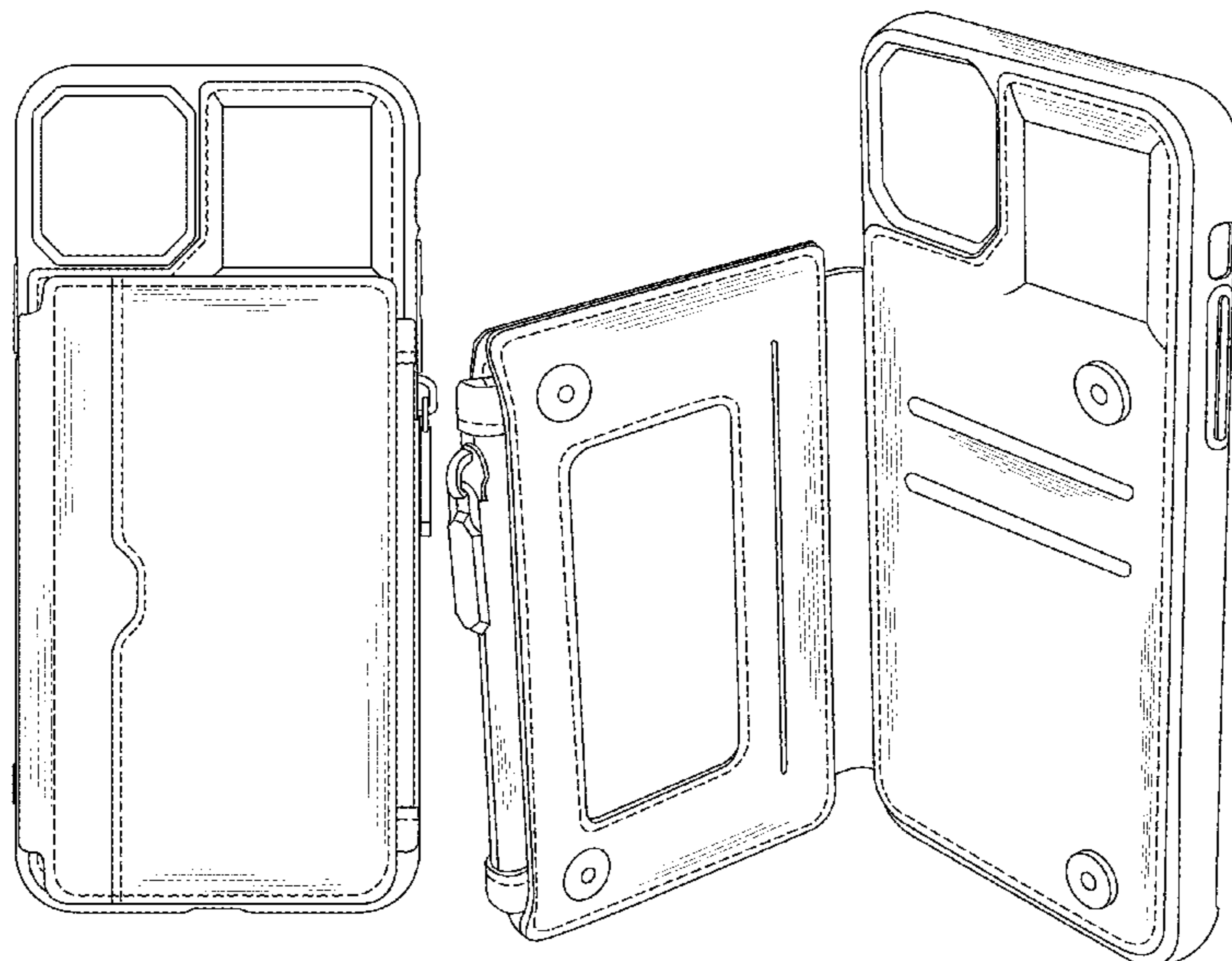
(57) **CLAIM**

The ornamental design for a phone cover, as shown and described.

**DESCRIPTION**

FIG. 1 is a front elevational view of a phone cover showing my new design;  
FIG. 2 is a rear elevational view thereof;  
FIG. 3 is a top plan view thereof;  
FIG. 4 is a bottom plan view thereof;  
FIG. 5 is a left side elevational view thereof;  
FIG. 6 is a right side elevational view thereof;  
FIG. 7 is a perspective view thereof;  
FIG. 8 is a perspective view of the phone cover where the phone cover is in a first open state; and,  
FIG. 9 is a rear elevational view of the phone cover where the phone cover is in a second open state.  
The broken lines in the drawings depict stitching, which is part of the claimed design. Except for the interior edge of the camera opening, the interior of the case shown in FIG. 1 forms no part of the claimed design.

**1 Claim, 9 Drawing Sheets**



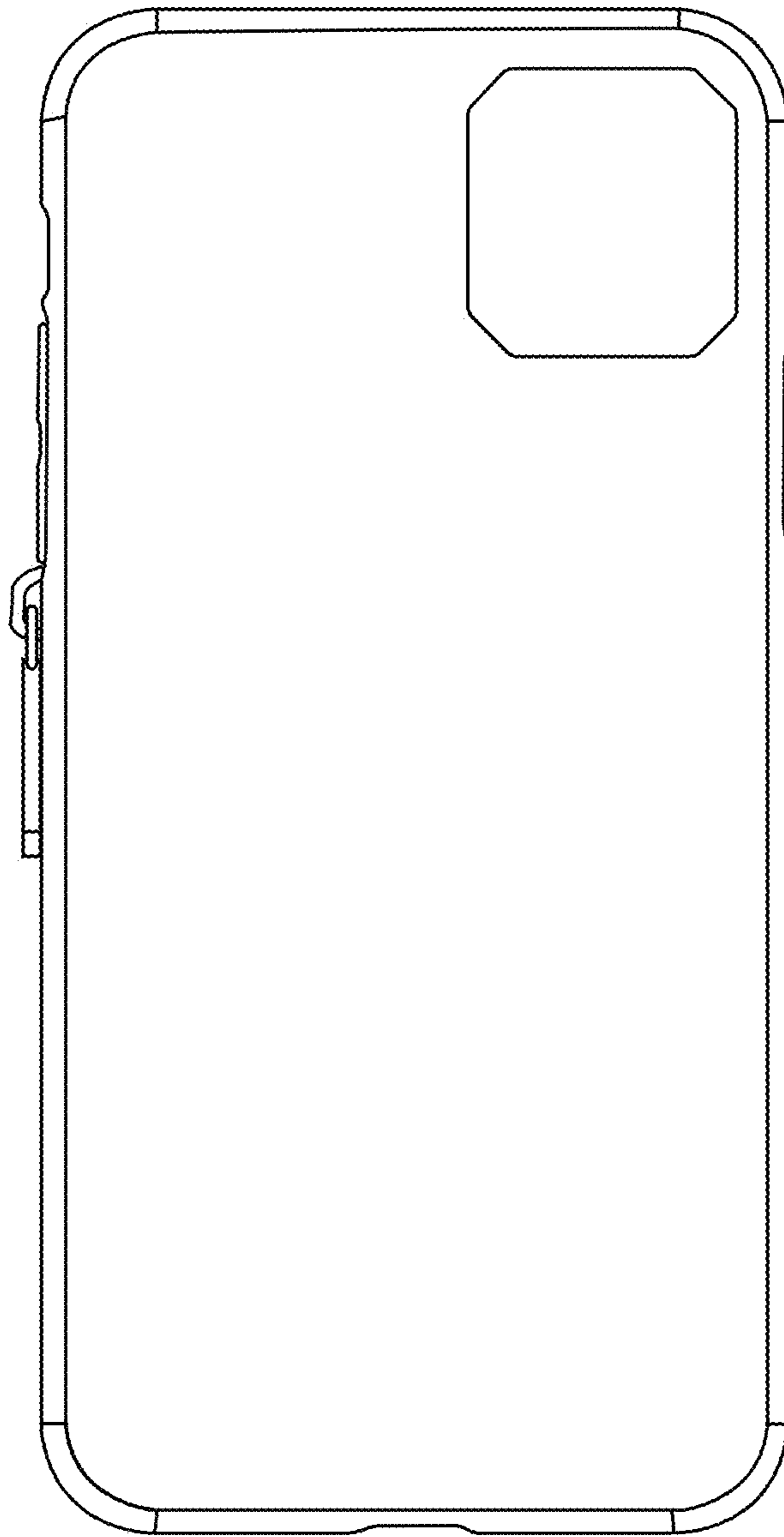


FIG. 1

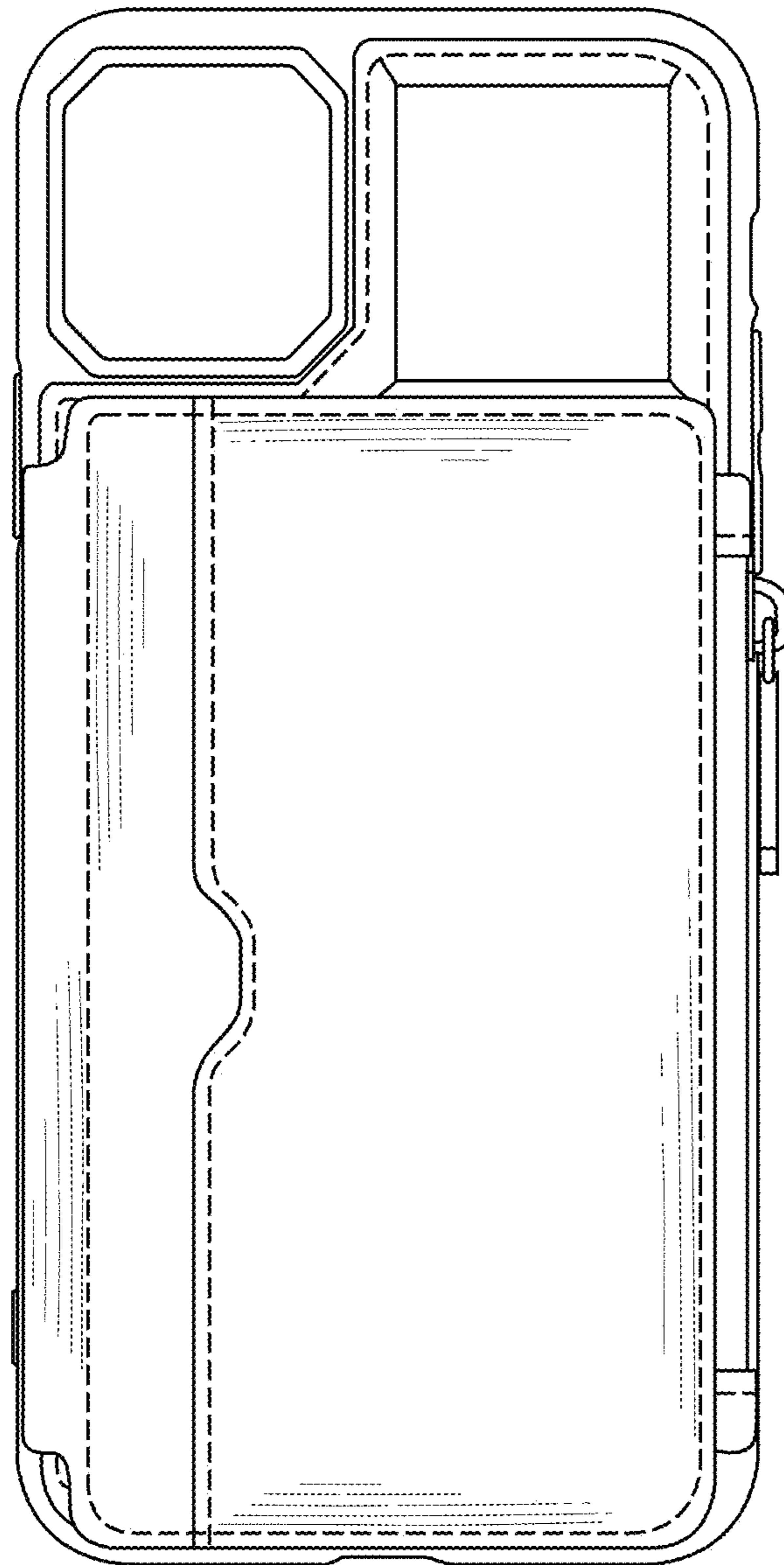


FIG. 2

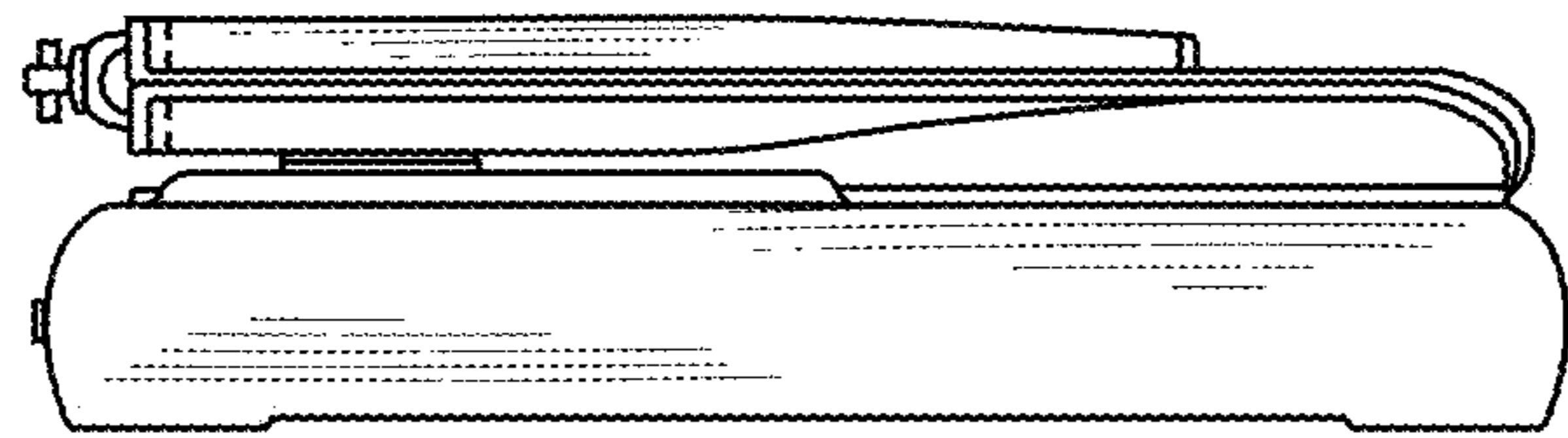


FIG. 3

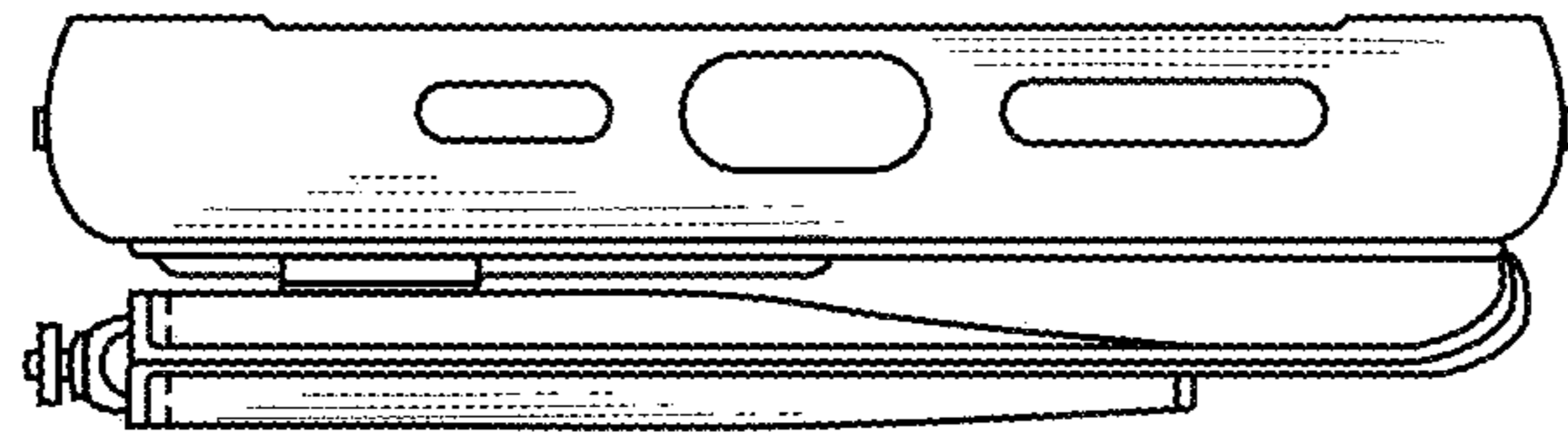


FIG. 4

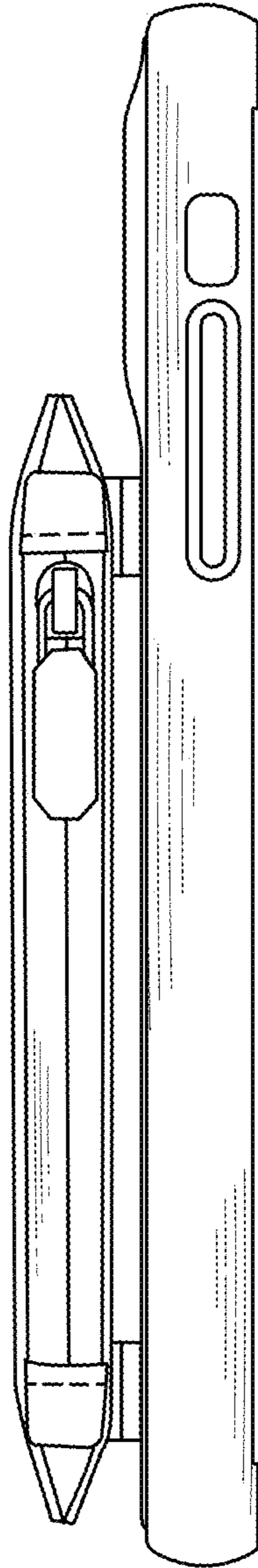


FIG. 5

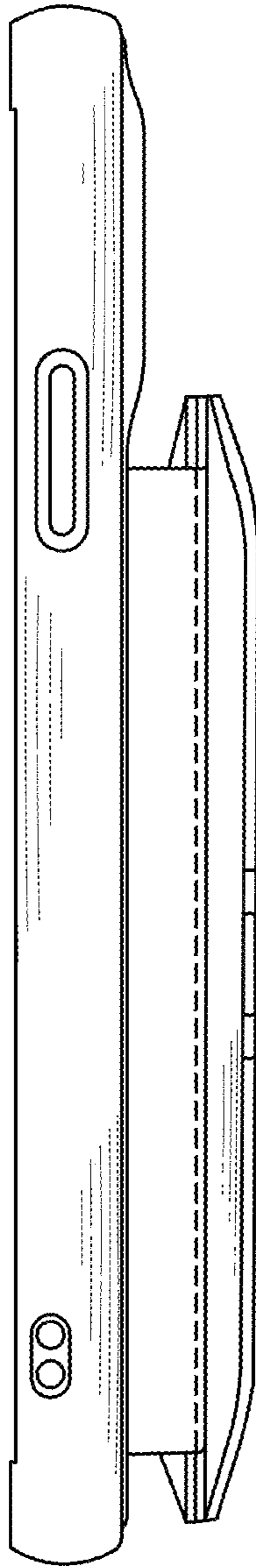


FIG. 6

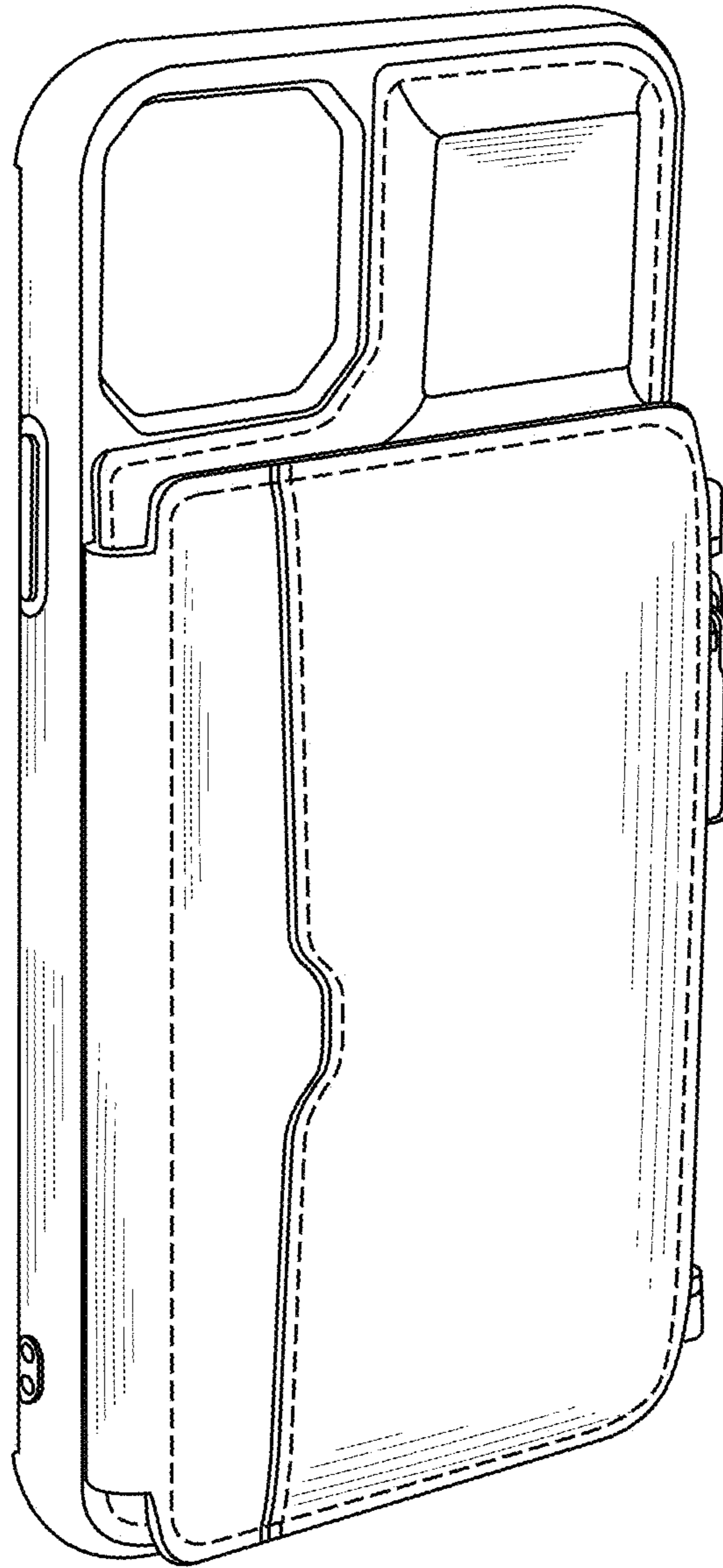


FIG. 7



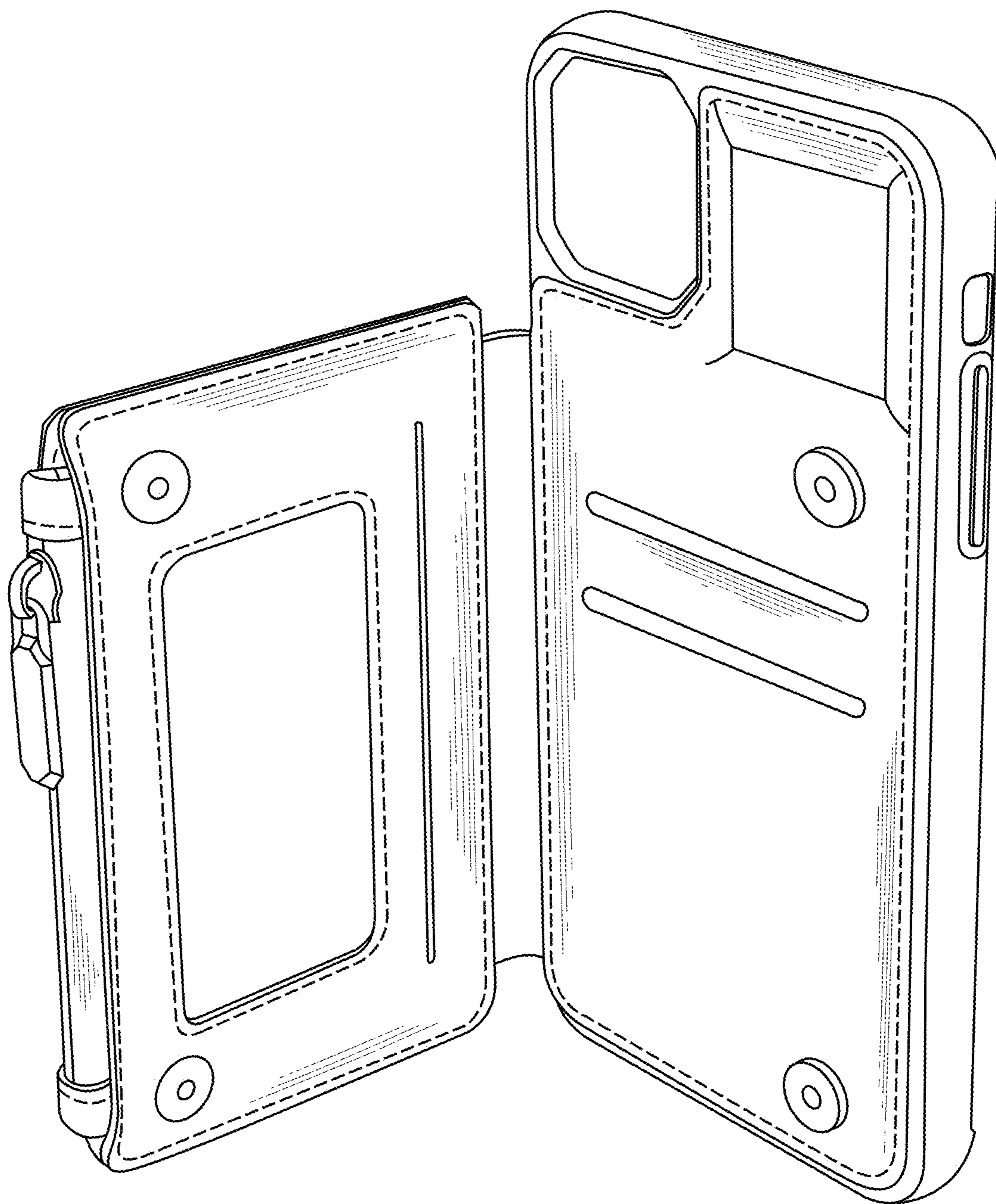


FIG. 8

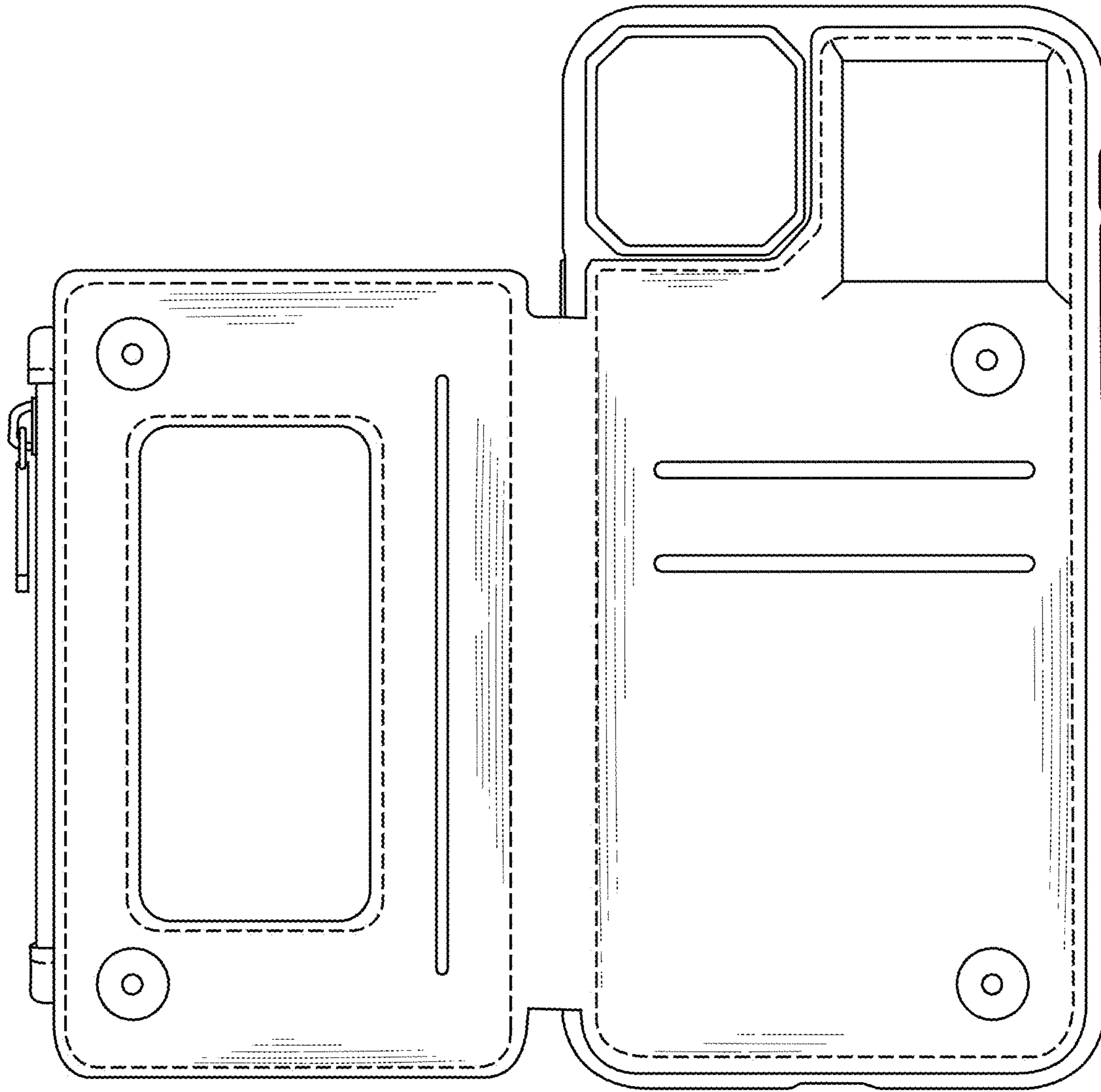


FIG. 9