



US00D905037S

(12) **United States Design Patent** (10) **Patent No.:** **US D905,037 S**  
**Yoon** (45) **Date of Patent:** **\*\* Dec. 15, 2020**

(54) **CASE FOR ELECTRONIC COMMUNICATIONS DEVICE**  
(71) Applicant: **SPIGEN KOREA CO., LTD.**, Seoul (KR)  
(72) Inventor: **Tae Sung Yoon**, Seoul (KR)  
(73) Assignee: **Spigen Korea CO., LTD.**, Seoul (KR)  
(\*\*) Term: **15 Years**  
(21) Appl. No.: **29/704,272**  
(22) Filed: **Sep. 3, 2019**  
(51) **LOC (12) Cl.** ..... **14-03**  
(52) **U.S. Cl.**  
USPC ..... **D14/250**  
(58) **Field of Classification Search**  
USPC ..... D14/203.3–203.7, 439, 251–253, 447, D14/217, 240, 248, 238.1, 250, 440; D13/103, 107–108, 119; D3/201, 218, D3/247, 249, 269, 273, 301, 303  
CPC ..... H04B 1/3888; H04M 1/0283; H04M 1/0202; A45C 1/06; A45C 11/00; A45C  
(Continued)

(56) **References Cited**  
U.S. PATENT DOCUMENTS  
D637,591 S 5/2011 Willes et al.  
D648,332 S 11/2011 Kim et al.  
D649,537 S 11/2011 Magness et al.  
(Continued)

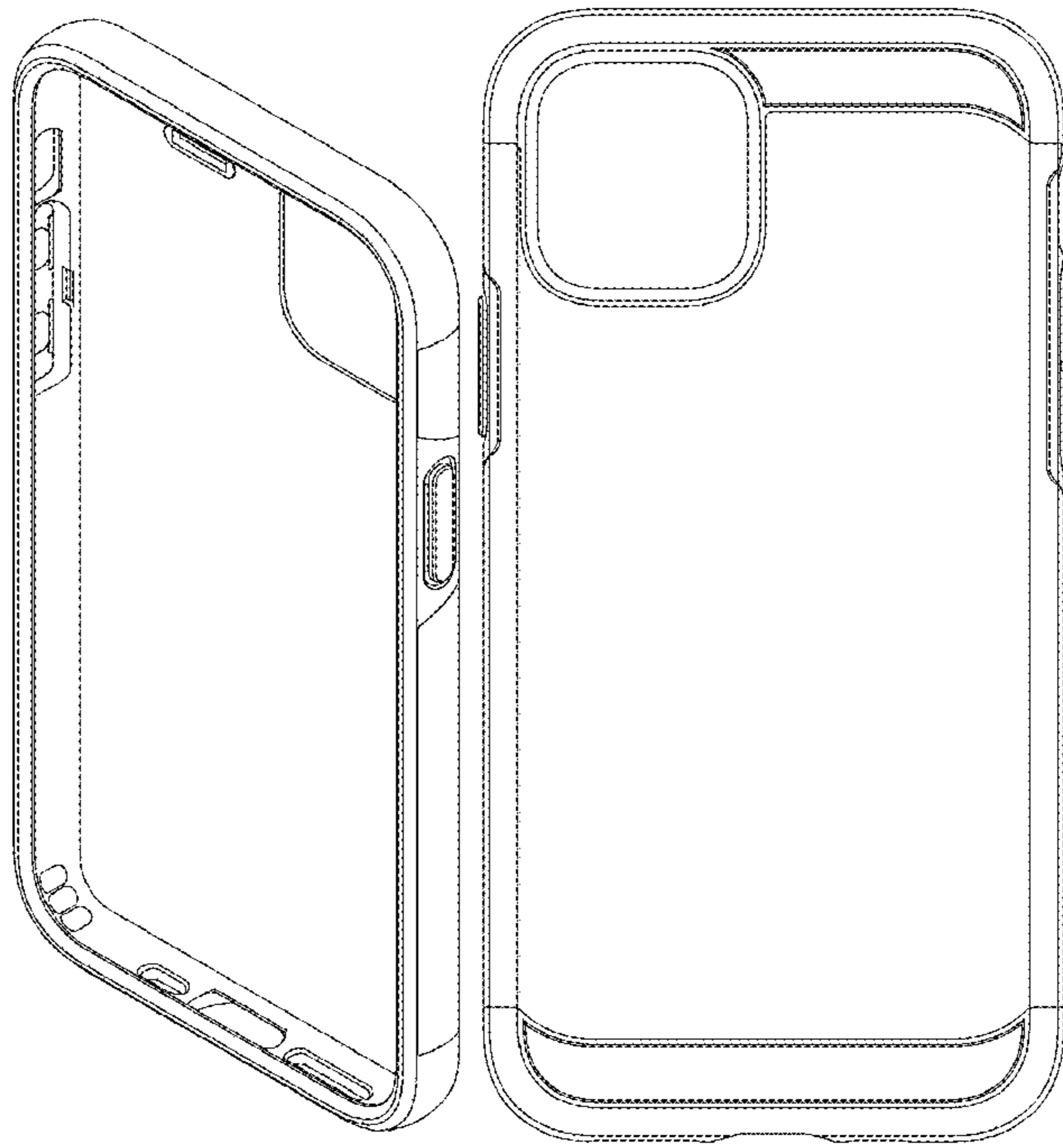
Primary Examiner — Carla J Wright

(74) *Attorney, Agent, or Firm* — Heedong Chae; Lucem, PC

(57) **CLAIM**  
The ornamental design for a case for electronic communications device, as shown and described.

**DESCRIPTION**  
FIG. 1 is a front perspective view of a case for electronic communications device showing my new design; FIG. 2 is a rear perspective view thereof; FIG. 3 is a front elevational view thereof; FIG. 4 is a rear elevational view thereof; FIG. 5 is a left side elevational view thereof; FIG. 6 is a right side elevational view thereof; FIG. 7 is a top plan view thereof; FIG. 8 is a bottom plan view thereof; FIG. 9 is a front perspective view showing the inner shell component of the case in isolation for clarity of disclosure; FIG. 10 is a rear perspective view showing the inner shell component of the case in isolation for clarity of disclosure; FIG. 11 is a front perspective view showing the outer frame component of the case in isolation for clarity of disclosure; FIG. 12 is a rear perspective view showing the outer frame component of the case in isolation for clarity of disclosure; FIG. 13 is an exploded front perspective view showing the components of the case separated for clarity of disclosure; and, FIG. 14 is an exploded rear perspective view showing the components of the case separated for clarity of disclosure. For clarity of disclosure, the components of the case for electronic communications device are shown in isolation in FIGS. 9-12 and separated in FIGS. 13-14. Although the case for electronic communications device, in which the claimed design is embodied, has an inner shell component and an outer frame component, the claim is directed to the overall ornamental appearance of the case in its entirety and does not extend to the ornamental appearance of each of the individual components in isolation.

**1 Claim, 14 Drawing Sheets**



(58) **Field of Classification Search**  
 CPC ..... 13/02; A45C 2011/002; A45F 2005/026;  
 A45F 2200/0525; A45F 2200/0516  
 See application file for complete search history.

(56) **References Cited**

U.S. PATENT DOCUMENTS

D649,538 S	11/2011	Magness et al.	
D663,263 S *	7/2012	Gupta .....	D13/103
D676,845 S	2/2013	Melanson et al.	
D692,419 S *	10/2013	Rayner .....	D14/250
D697,904 S	1/2014	Wicks et al.	
D697,905 S	1/2014	Chang et al.	
D740,268 S	10/2015	O'Neill et al.	
D740,798 S	10/2015	Poon et al.	
D741,279 S *	10/2015	Tai .....	D14/138 G
D746,275 S *	12/2015	Mohammad .....	D14/250
D756,343 S	5/2016	Wall et al.	
D763,842 S	8/2016	Chang et al.	
D765,629 S	9/2016	Watt et al.	
D768,637 S *	10/2016	Akana .....	D14/439
D772,209 S	11/2016	Kim et al.	
D776,649 S *	1/2017	Kim .....	D14/250
D777,155 S *	1/2017	Kim .....	D14/250
D777,156 S *	1/2017	Kim .....	D14/250
D777,717 S	1/2017	Kim	

D778,897 S	2/2017	Kim	
D778,898 S *	2/2017	Kim .....	D14/250
D786,851 S *	5/2017	Kim .....	D14/250
D787,491 S	5/2017	Kim	
D789,344 S *	6/2017	Kim .....	D14/250
D791,755 S	7/2017	Kim	
D798,284 S *	9/2017	Kim .....	D14/250
D798,286 S *	9/2017	Roberts .....	D14/250
D800,713 S *	10/2017	Kim .....	D14/250
D801,323 S	10/2017	Kim	
D803,206 S *	11/2017	Kim .....	D14/250
D819,013 S	5/2018	Kim et al.	
D819,014 S *	5/2018	Kim .....	D14/250
D822,653 S	7/2018	Kim et al.	
D823,295 S	7/2018	Kim et al.	
D823,297 S	7/2018	Kim et al.	
D828,346 S *	9/2018	Kim .....	D14/250
D834,571 S	11/2018	Ravid	
D836,623 S *	12/2018	Hyun .....	D14/250
D837,197 S *	1/2019	Kim .....	D14/250
D845,940 S	4/2019	Roberts et al.	
D847,129 S	4/2019	To et al.	
10,362,847 B1 *	7/2019	Okada .....	A45C 11/00
D856,998 S *	8/2019	Jung .....	D14/250
D858,501 S *	9/2019	Jung .....	D14/250
2014/0221056 A1 *	8/2014	Gandhi .....	H04B 1/3888 455/575.8
2017/0230072 A1 *	8/2017	Kim .....	H04B 1/3888

\* cited by examiner

FIG. 1

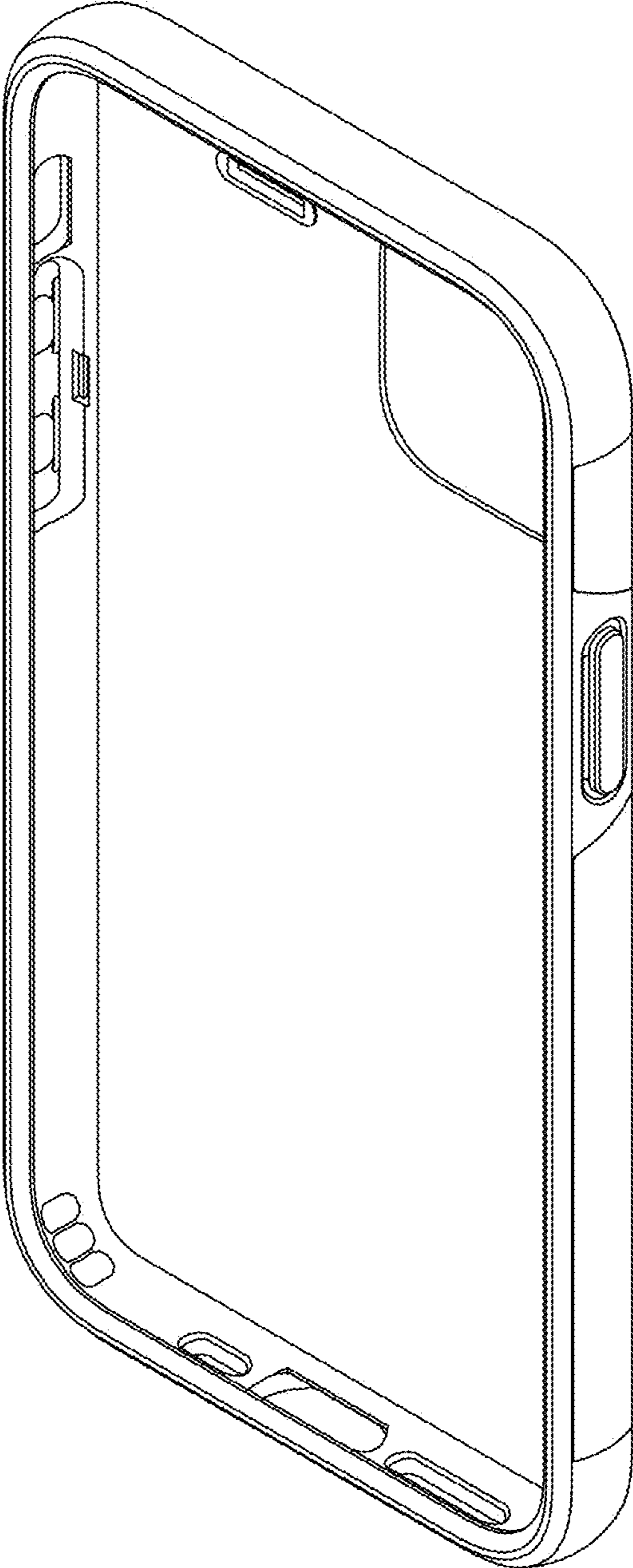


FIG. 2

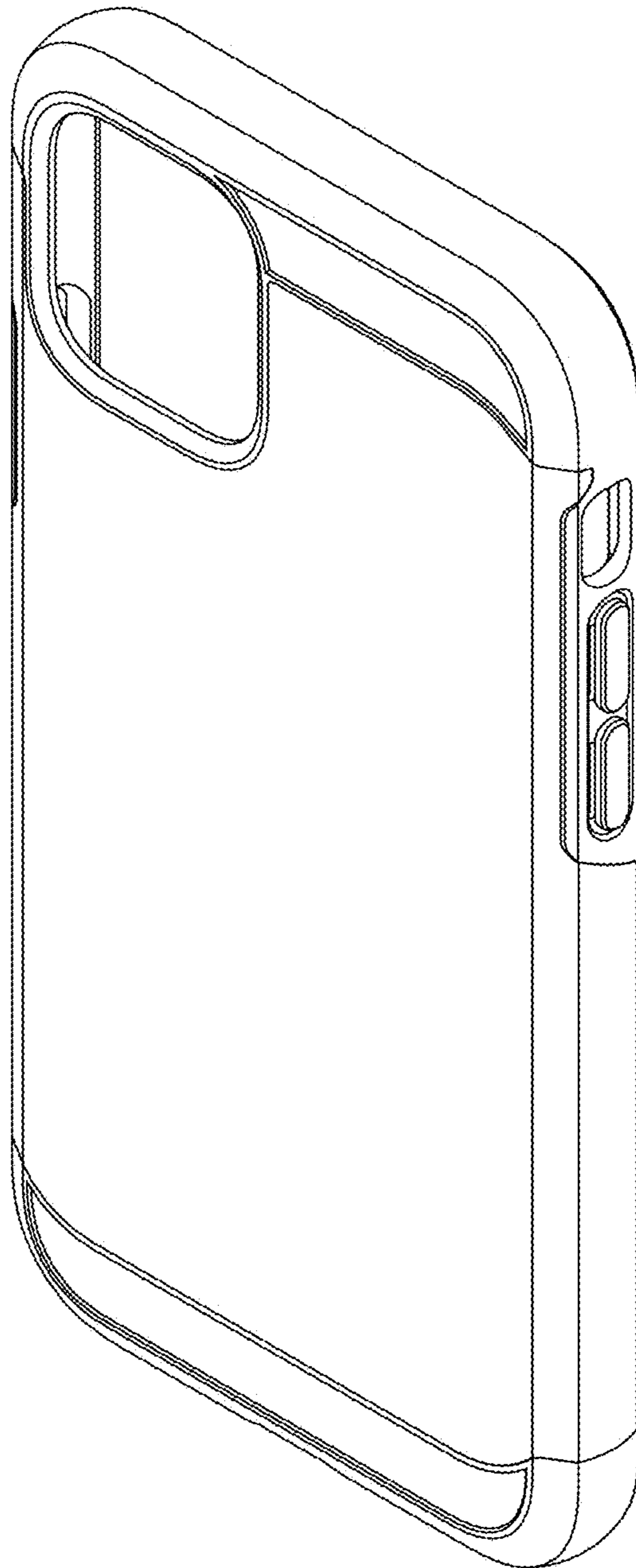




FIG. 3

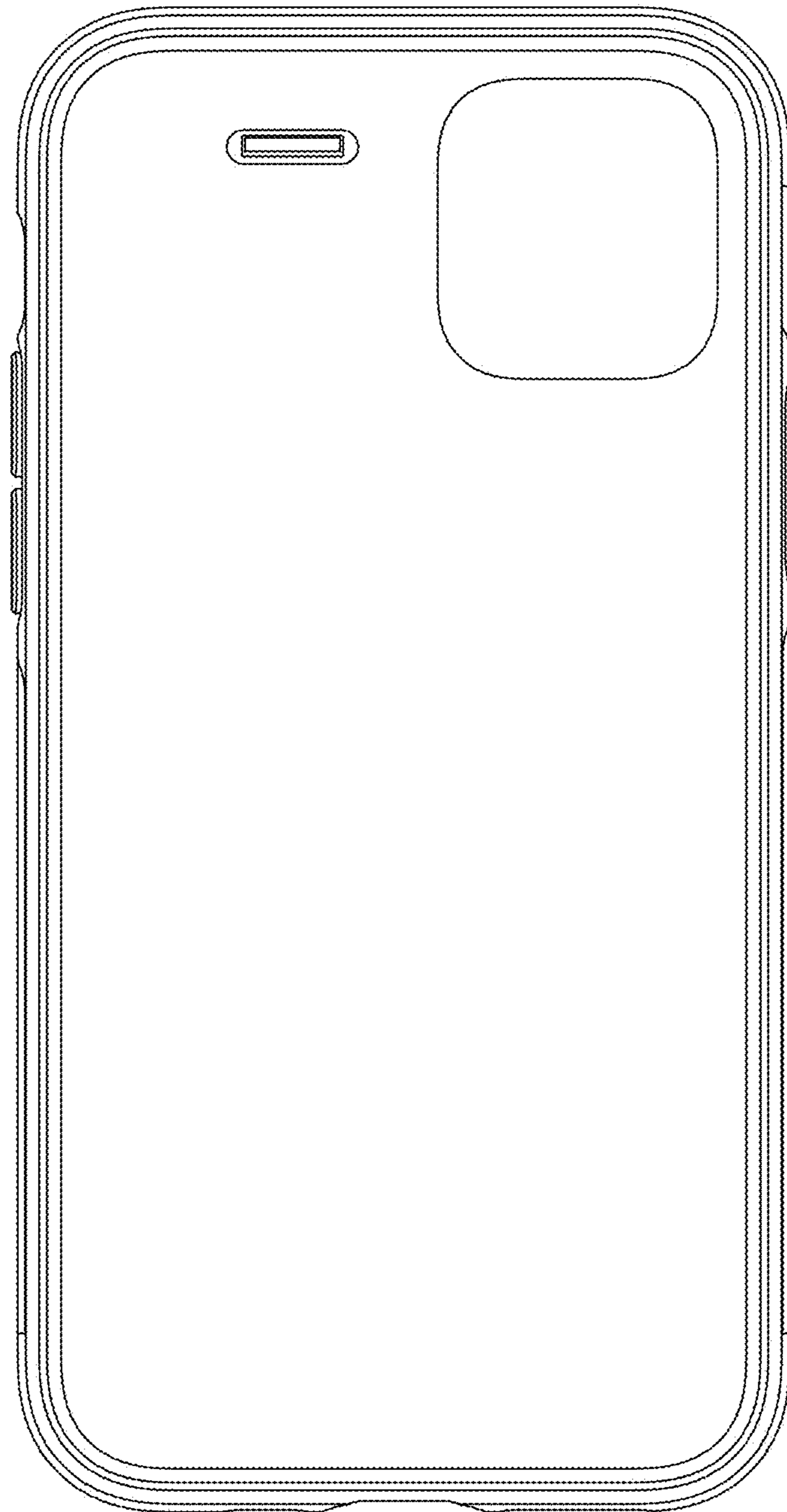


FIG. 4

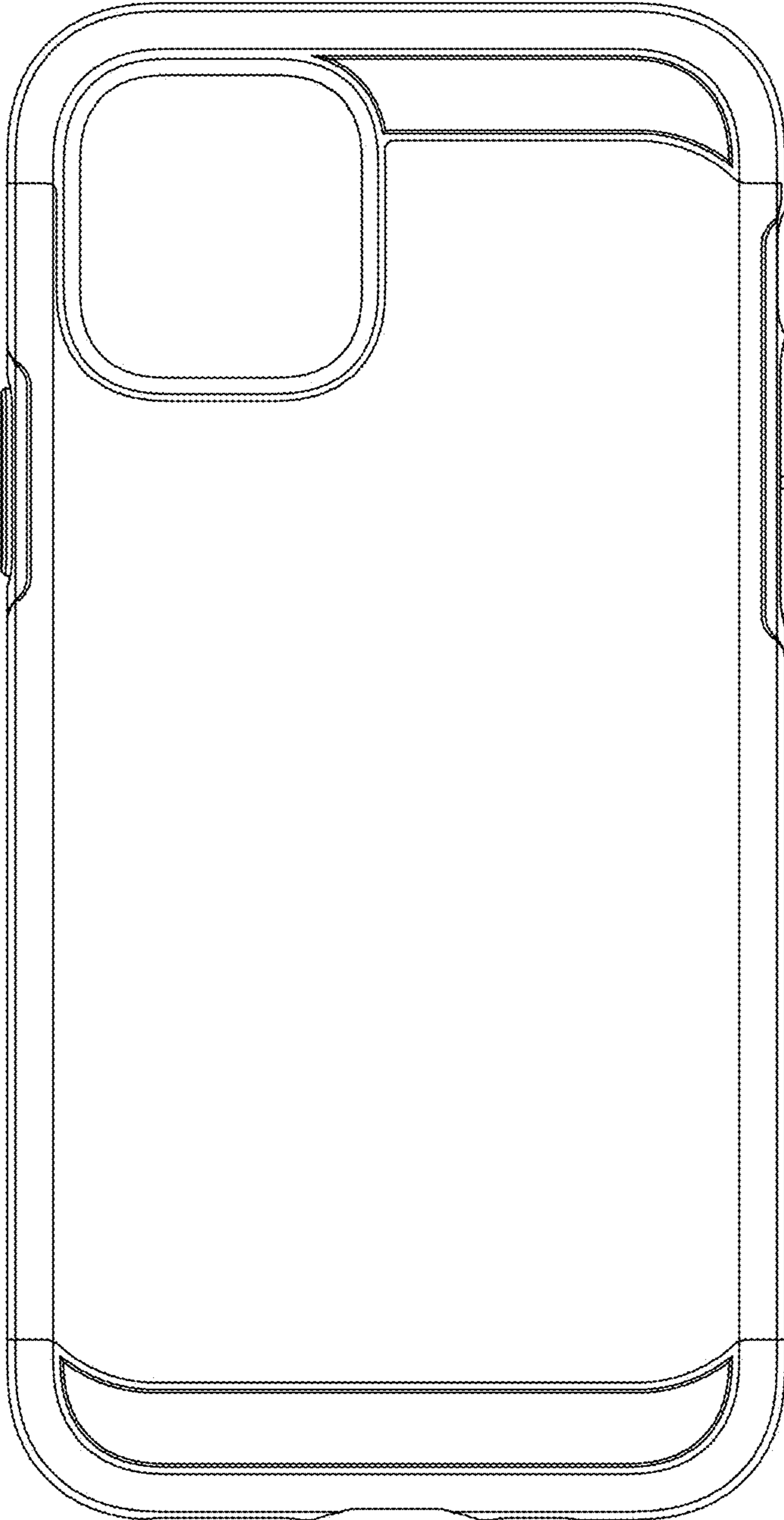


FIG. 5

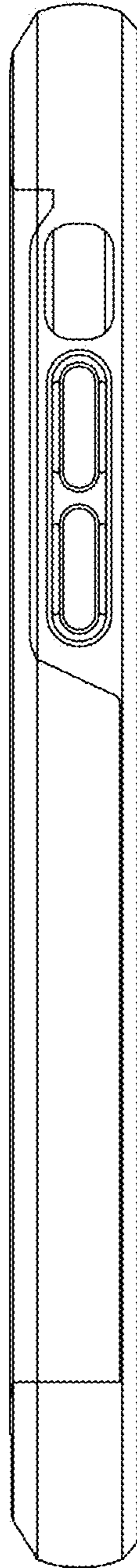


FIG. 6

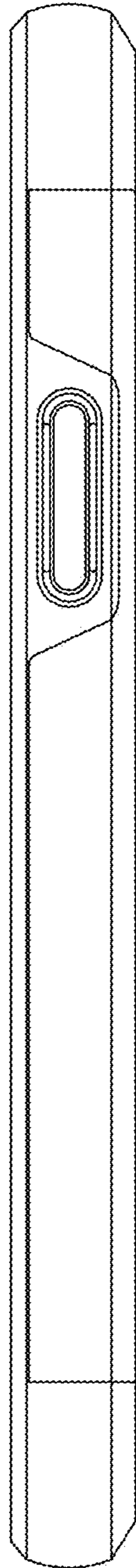




FIG. 7

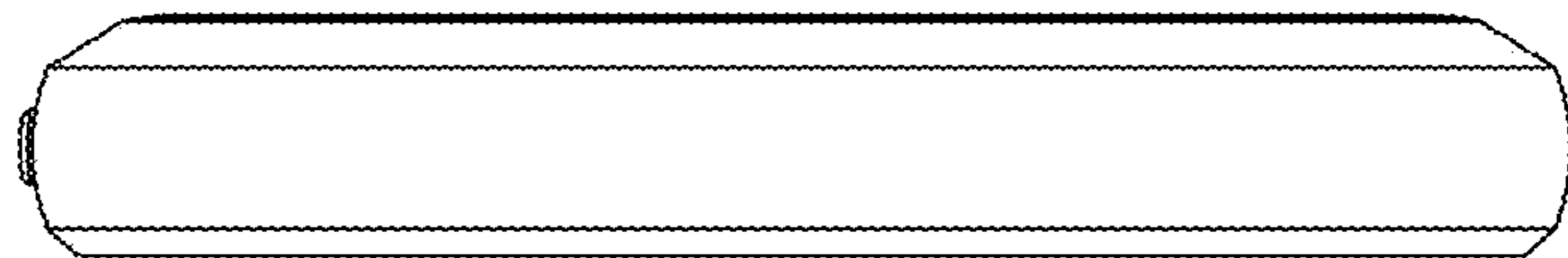


FIG. 8

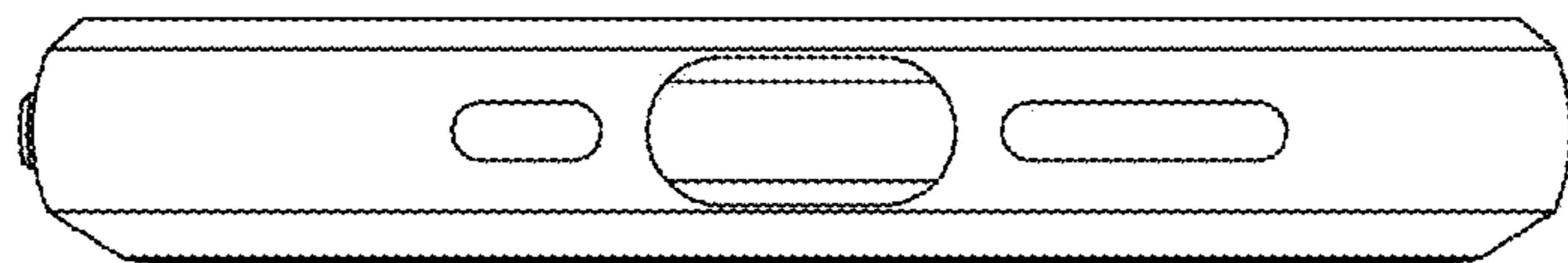


FIG. 9

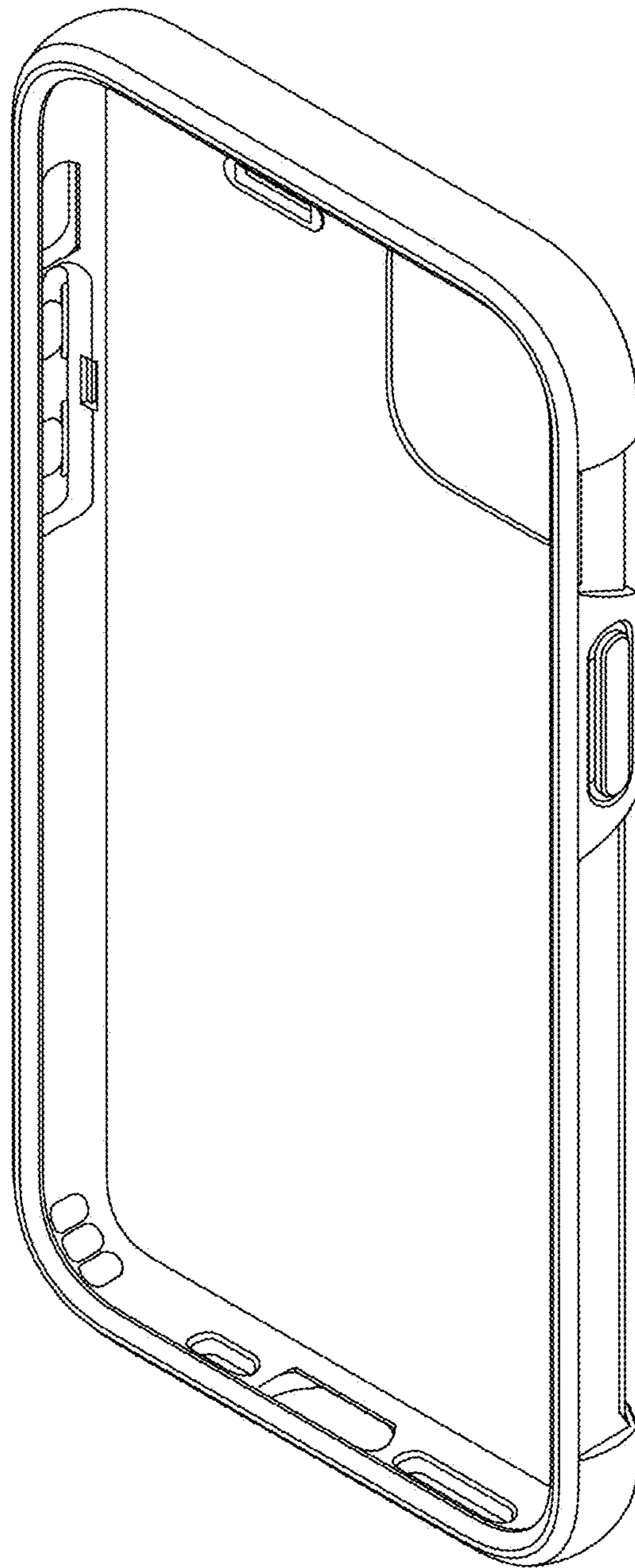


FIG. 10

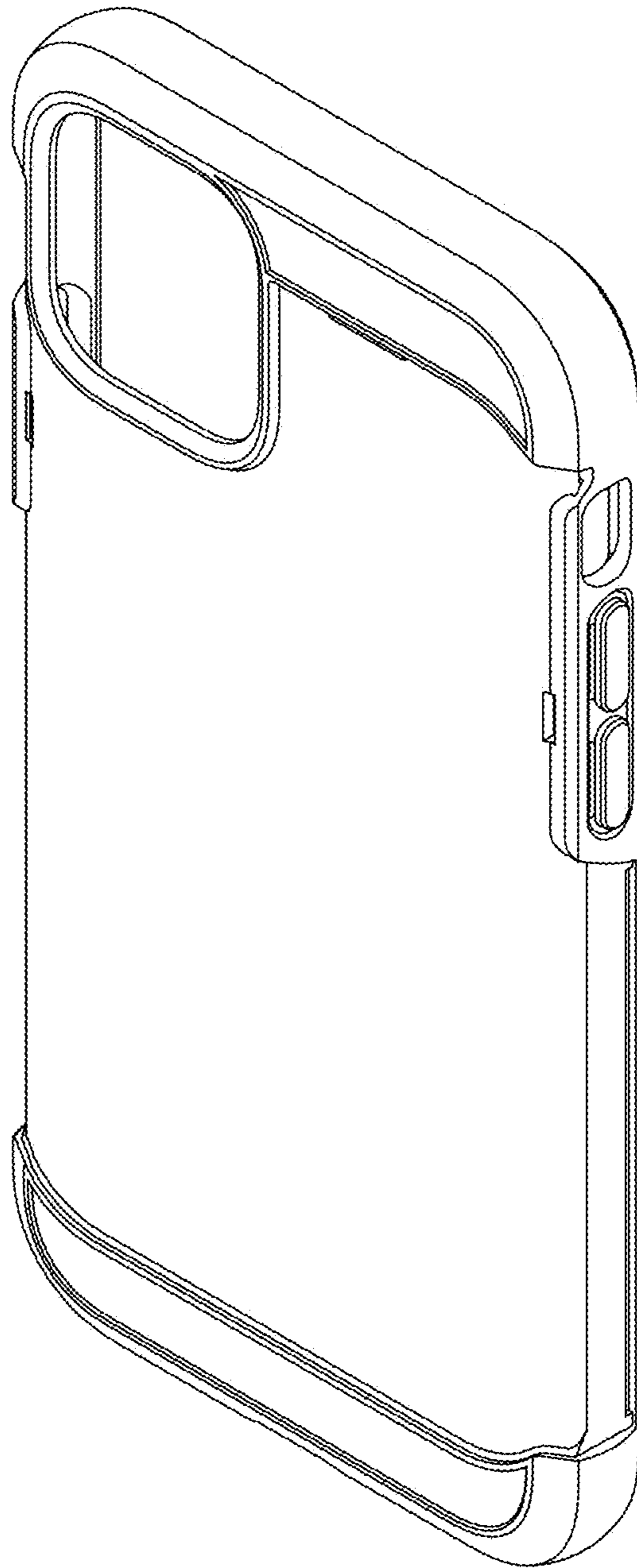


FIG. 11

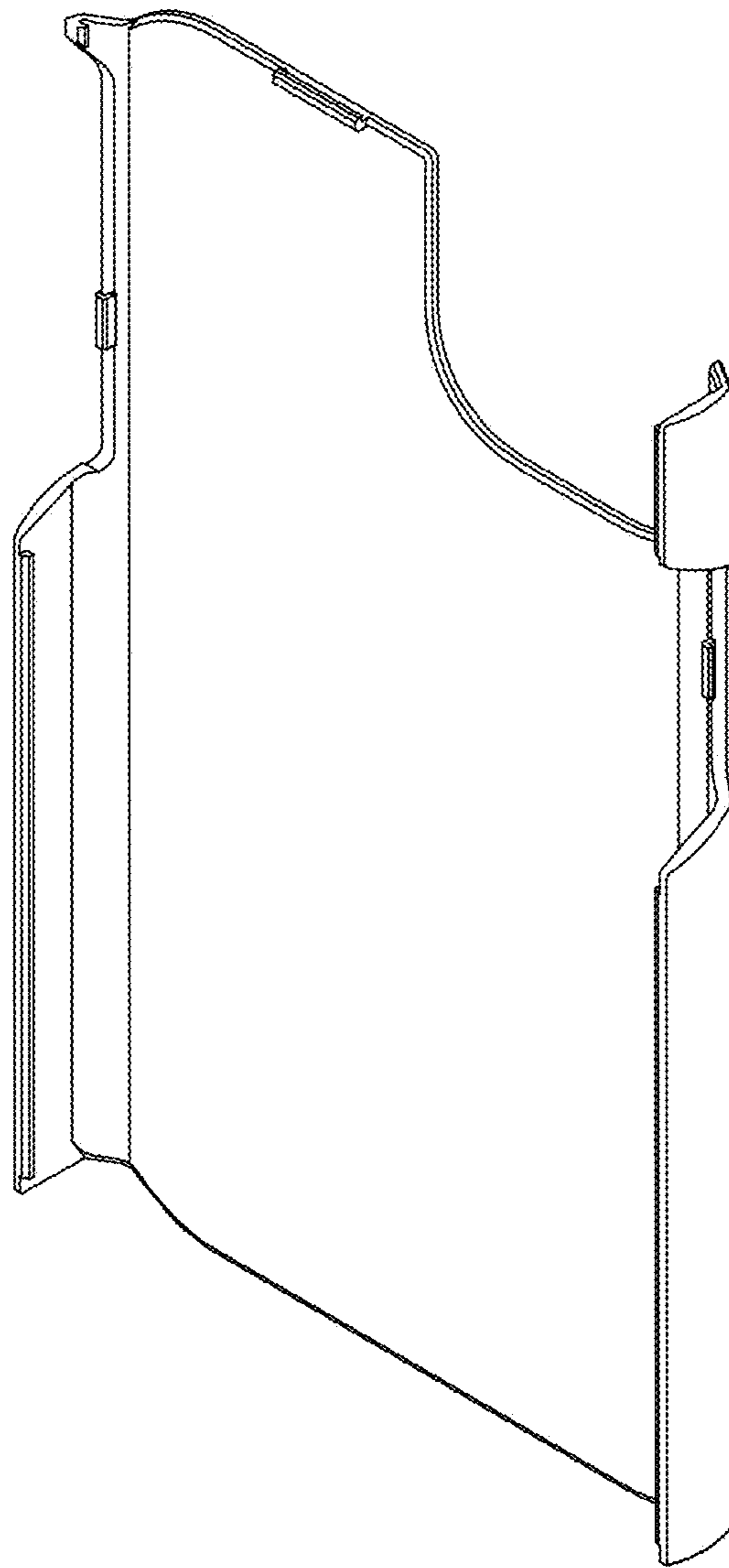




FIG. 12

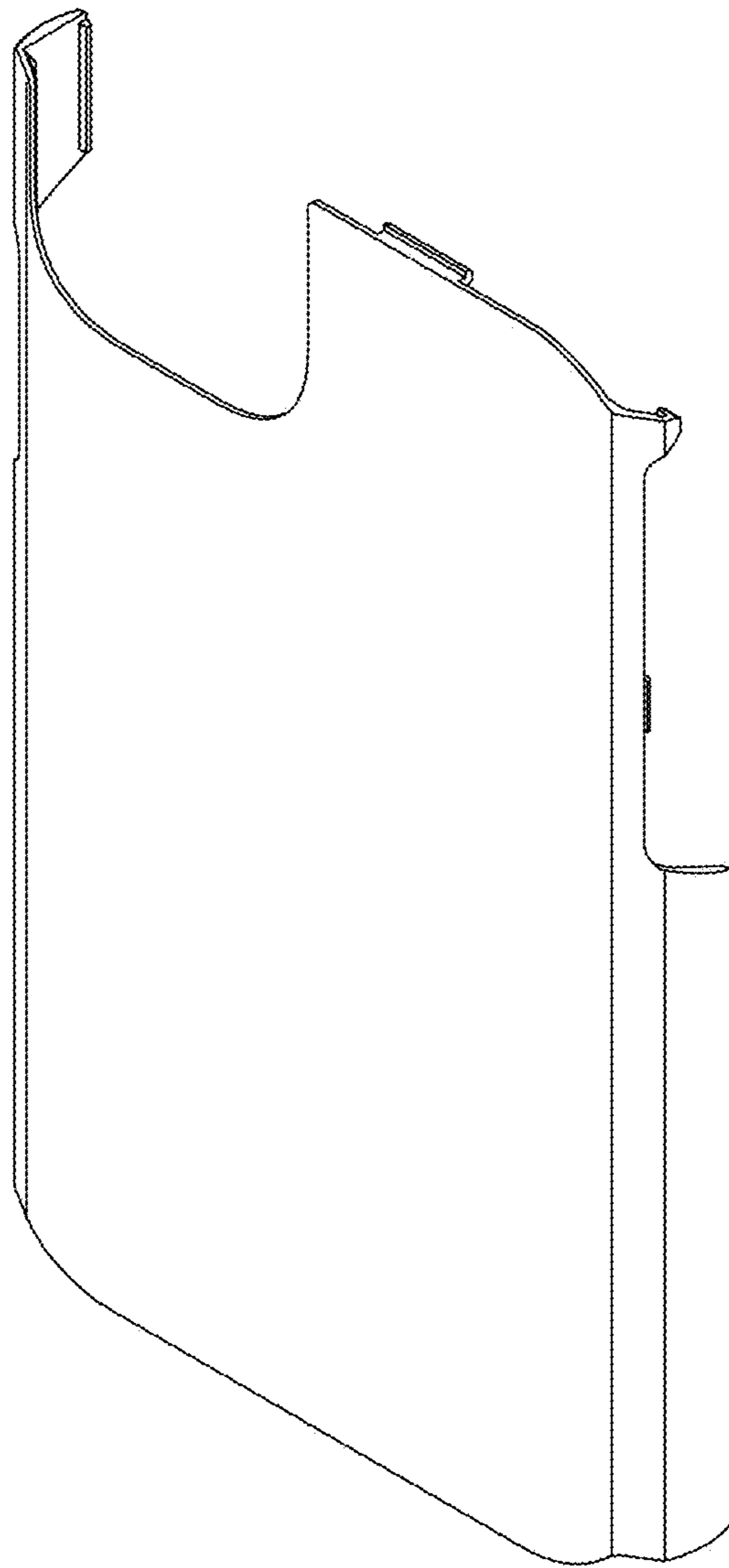


FIG. 13

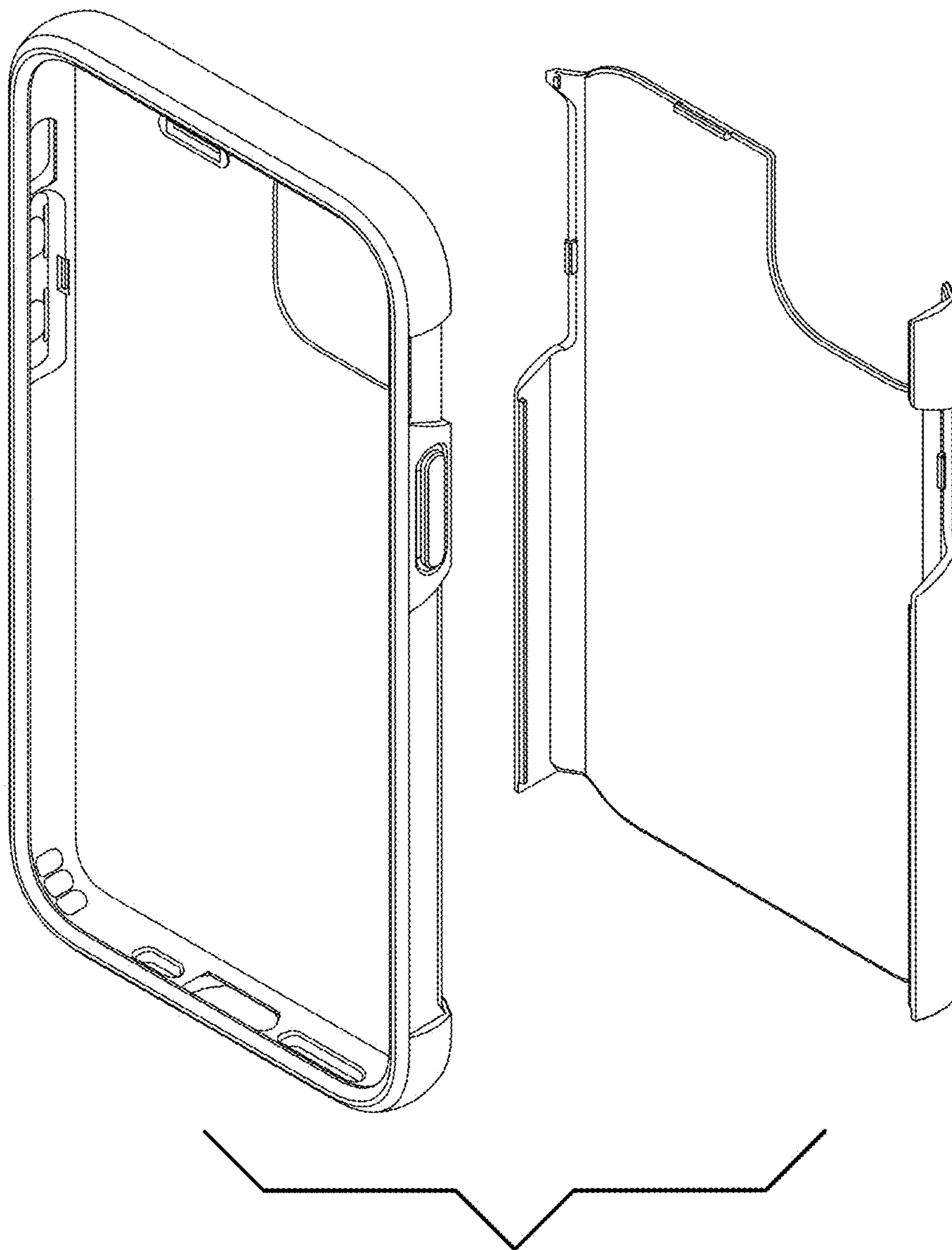


FIG. 14

