



US00D905036S

(12) **United States Design Patent**
Kim et al.

(10) **Patent No.:** **US D905,036 S**

(45) **Date of Patent:** **** Dec. 15, 2020**

(54) **MOBILE PHONE CASE**

(71) Applicant: **SAMSUNG ELECTRONICS CO., LTD.**, Suwon-si (KR)

(72) Inventors: **Yangwook Kim**, Suwon-si (KR);
Seungho Lee, Suwon-si (KR);
Woohyun Nam, Suwon-si (KR)

(73) Assignee: **SAMSUNG ELECTRONICS CO., LTD.**, Gyeonggi-do (KR)

(**) Term: **15 Years**

(21) Appl. No.: **29/687,838**

(22) Filed: **Apr. 16, 2019**

(30) **Foreign Application Priority Data**

Dec. 24, 2018 (KR) 30-2018-0061326

(51) **LOC (12) Cl.** **14-03**

(52) **U.S. Cl.**
USPC **D14/250**

(58) **Field of Classification Search**
USPC D14/217, 238.1, 240, 248, 250, 251–253,
D14/439, 440, 447; D13/107–108, 103,
D13/119; D3/201, 269, 273, 301, 218,
D3/247, 303

CPC H04B 1/3888; H04M 1/0283; H04M
1/0202; A45C 1/06; A45C 11/00; A45C
13/02; A45C 2011/002; A45F 2005/026;
A45F 2200/0525; A45F 2200/0516

See application file for complete search history.

(56) **References Cited**

U.S. PATENT DOCUMENTS

D645,033 S * 9/2011 Quong D14/253
D685,571 S * 7/2013 Chang D3/218
D691,991 S * 10/2013 Mohan D14/250
D708,603 S * 7/2014 Kim D14/253
D719,552 S 12/2014 Anderson

D807,371 S * 1/2018 Bertelle D14/447
D822,668 S * 7/2018 Cai et al.
D826,225 S * 8/2018 Chen D14/253
D831,660 S * 10/2018 Yao D14/447
D838,708 S * 1/2019 Mitchell D14/250
D843,377 S * 3/2019 Tang D14/440
D843,935 S * 3/2019 Luo D13/103
D845,960 S * 4/2019 Yao D14/447
D848,437 S * 5/2019 Chapuis D14/440

(Continued)

FOREIGN PATENT DOCUMENTS

CN 304778157 S 8/2018
EM 000728928-0001 5/2007
KR 300788026 S 3/2015

Primary Examiner — Khawaja Anwar

Assistant Examiner — Mojtaba Tehrani

(74) *Attorney, Agent, or Firm* — Cantor Colburn LLP

(57) **CLAIM**

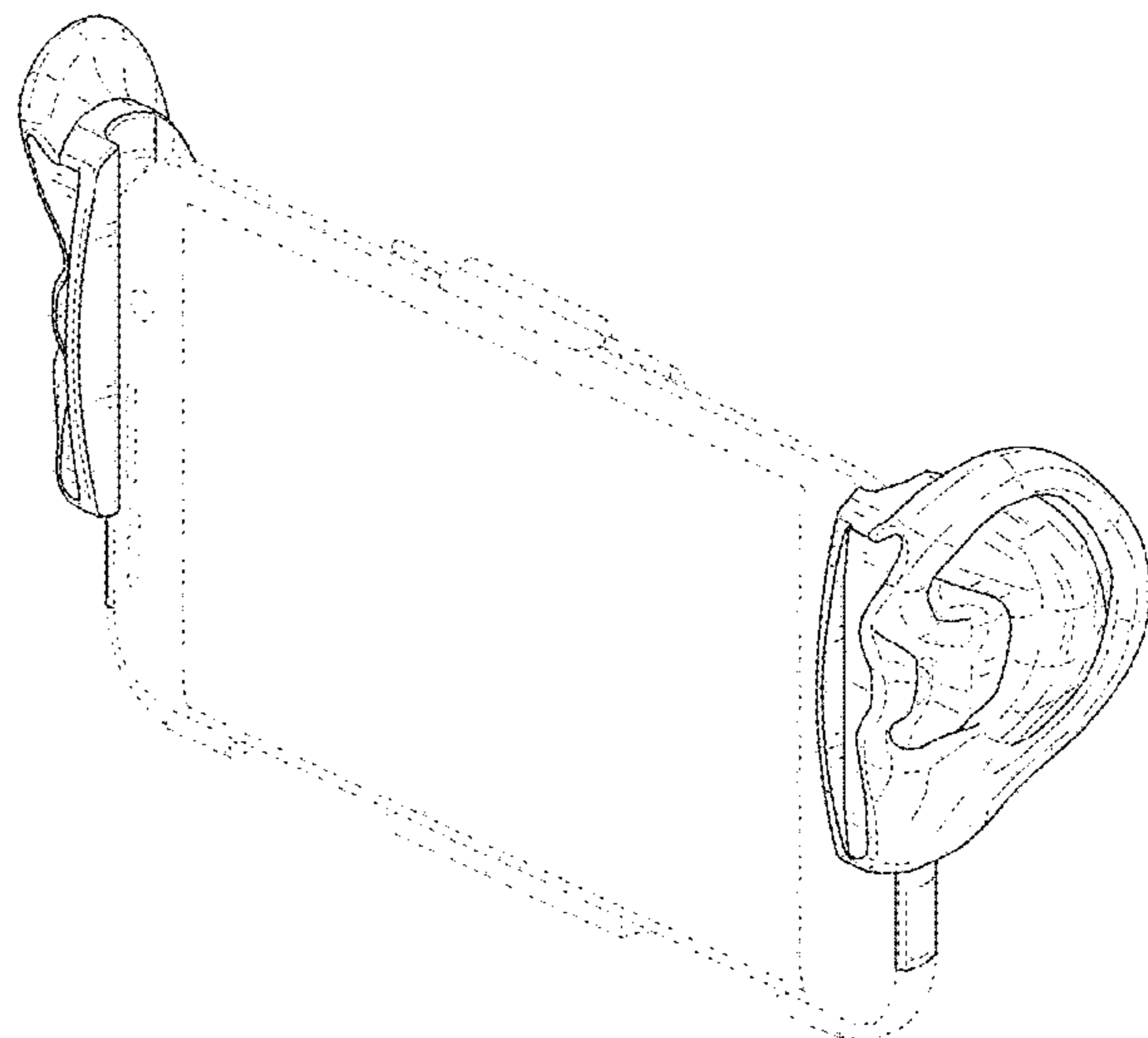
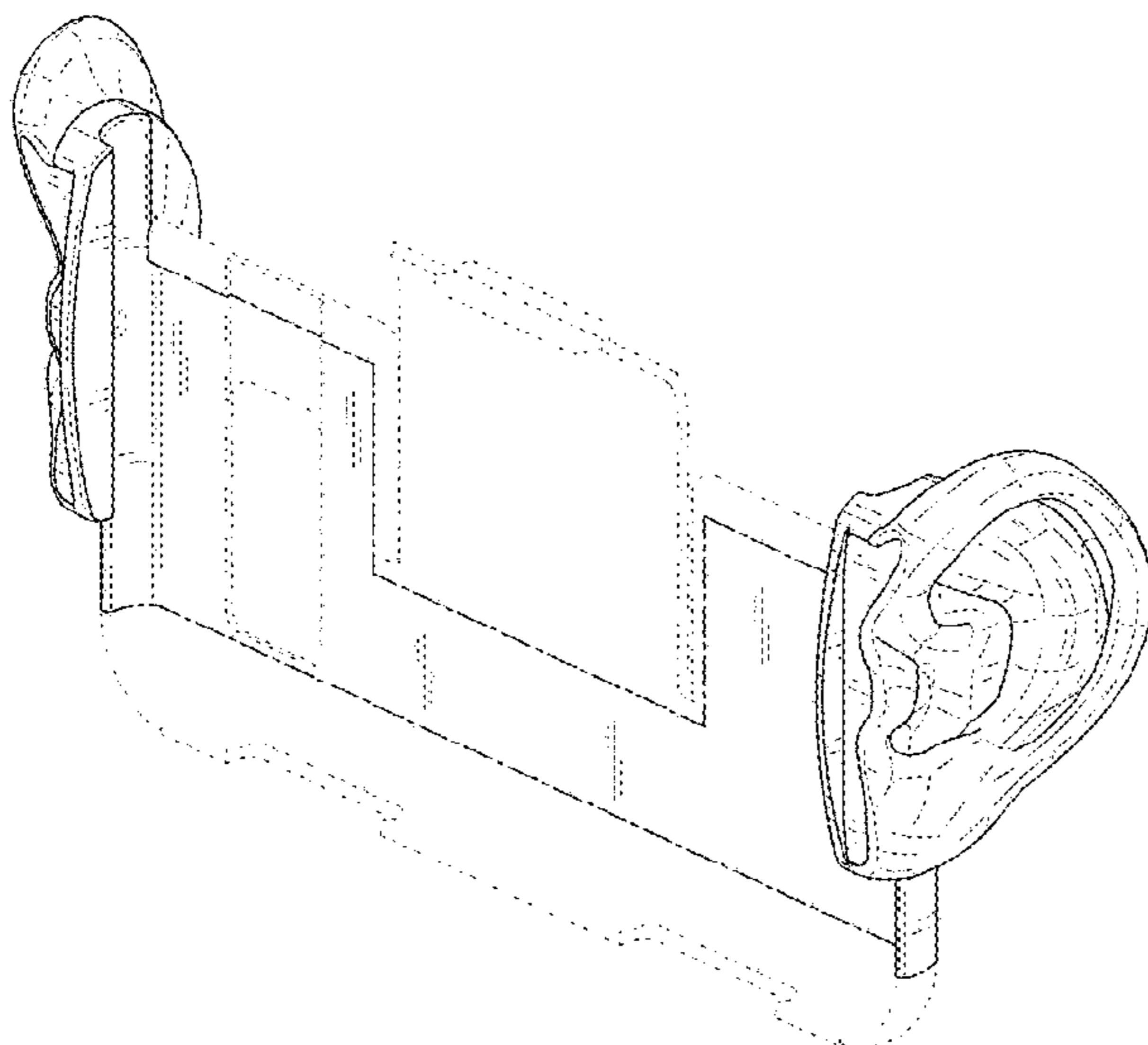
The ornamental design for a mobile phone case, as shown and described.

DESCRIPTION

FIG. 1 is a front perspective view of a mobile phone case, showing our new design;
FIG. 2 is a front view thereof;
FIG. 3 is a rear view thereof;
FIG. 4 is a left-side view thereof;
FIG. 5 is a right-side view thereof;
FIG. 6 is a top view thereof;
FIG. 7 is a bottom view thereof; and,
FIG. 8 is another front perspective view thereof in a mobile phone environment.

The even-dash broken lines illustrating portions of the mobile phone case and the environmental structure form no part of the claimed design. The dot-dash broken lines defining the boundary of the claimed design form no part of the claimed design.

1 Claim, 8 Drawing Sheets



(56)

References Cited

U.S. PATENT DOCUMENTS

D859,390 S * 9/2019 Park D14/250
D868,054 S * 11/2019 Kim D14/253
D879,105 S * 3/2020 Li D14/440
D881,196 S * 4/2020 Zaxiang D14/440
D889,819 S * 7/2020 Feng D3/201
2020/0213736 A1* 7/2020 Kim H04R 5/027

* cited by examiner

FIG. 1

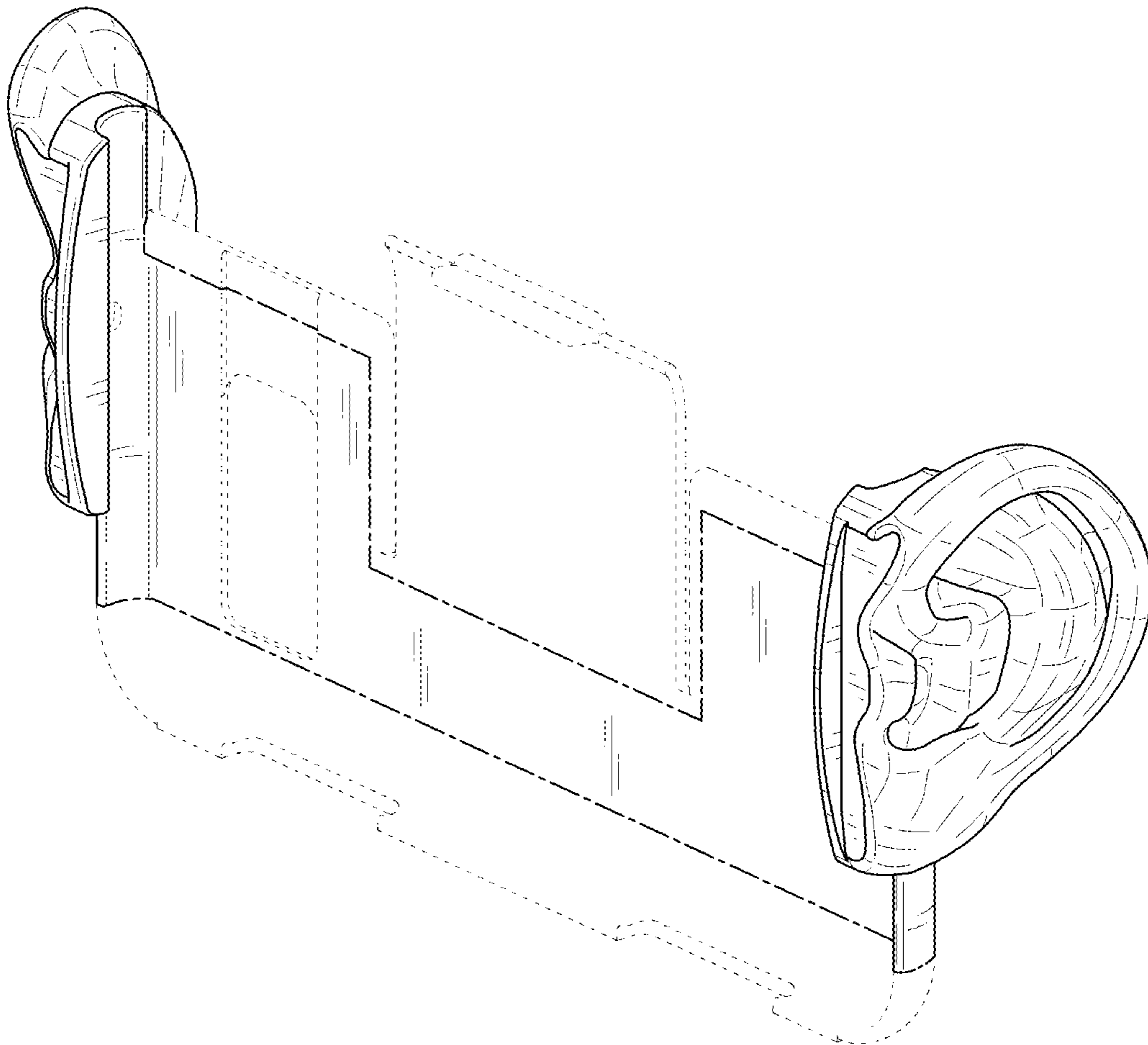


FIG. 2

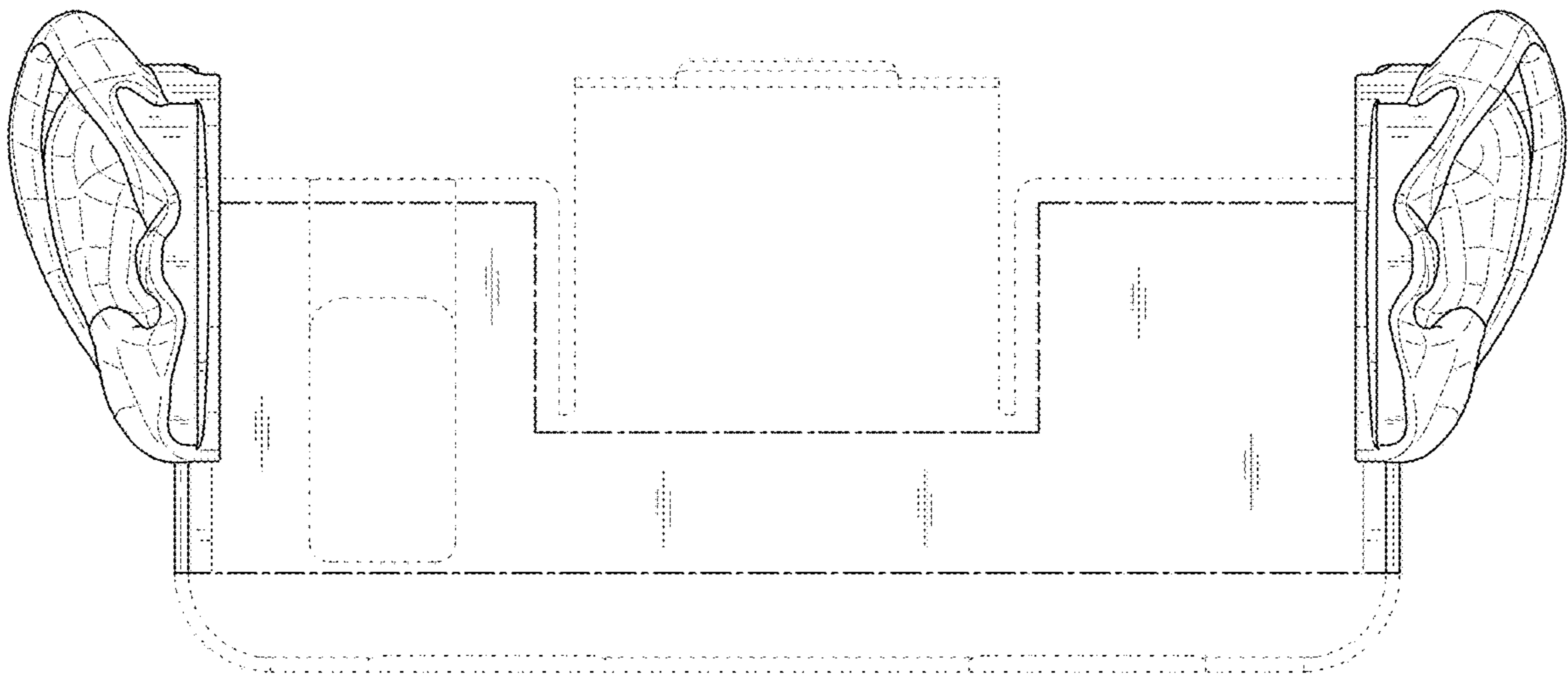


FIG. 3

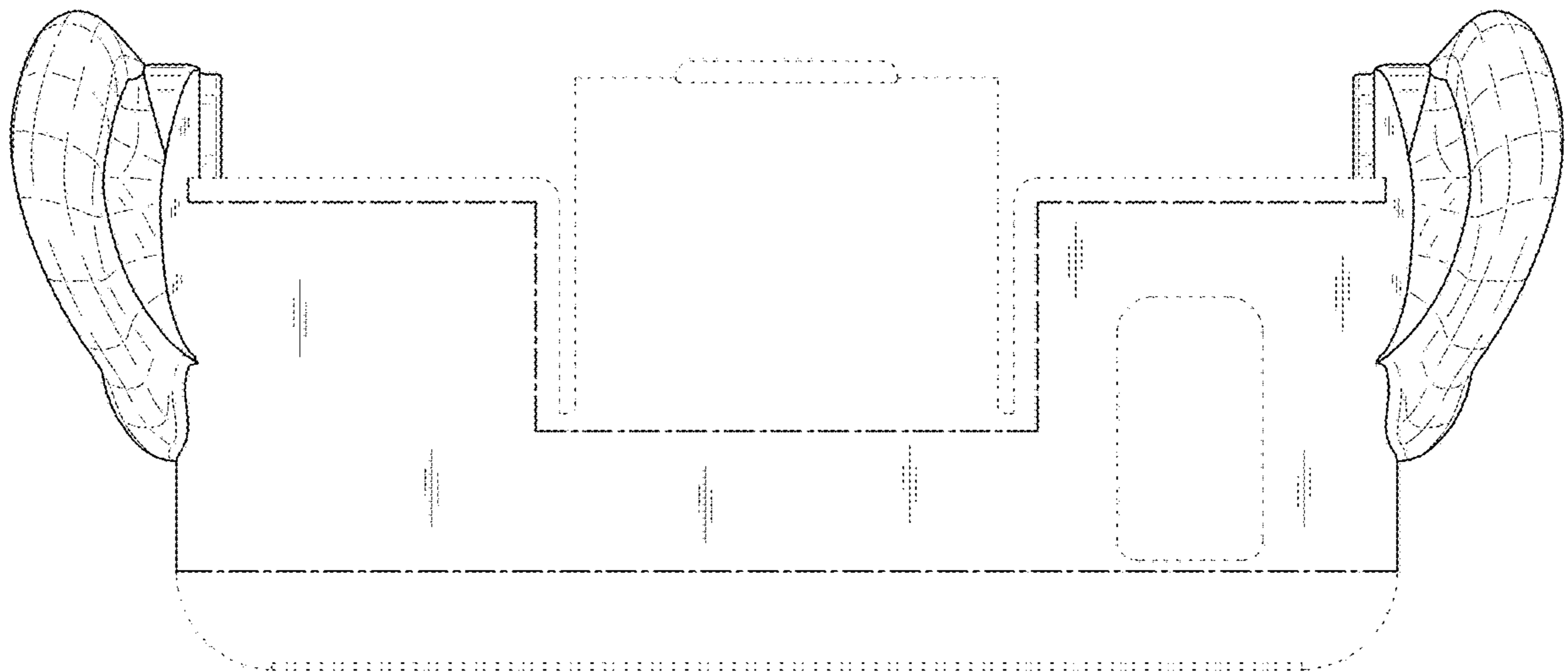


FIG. 4

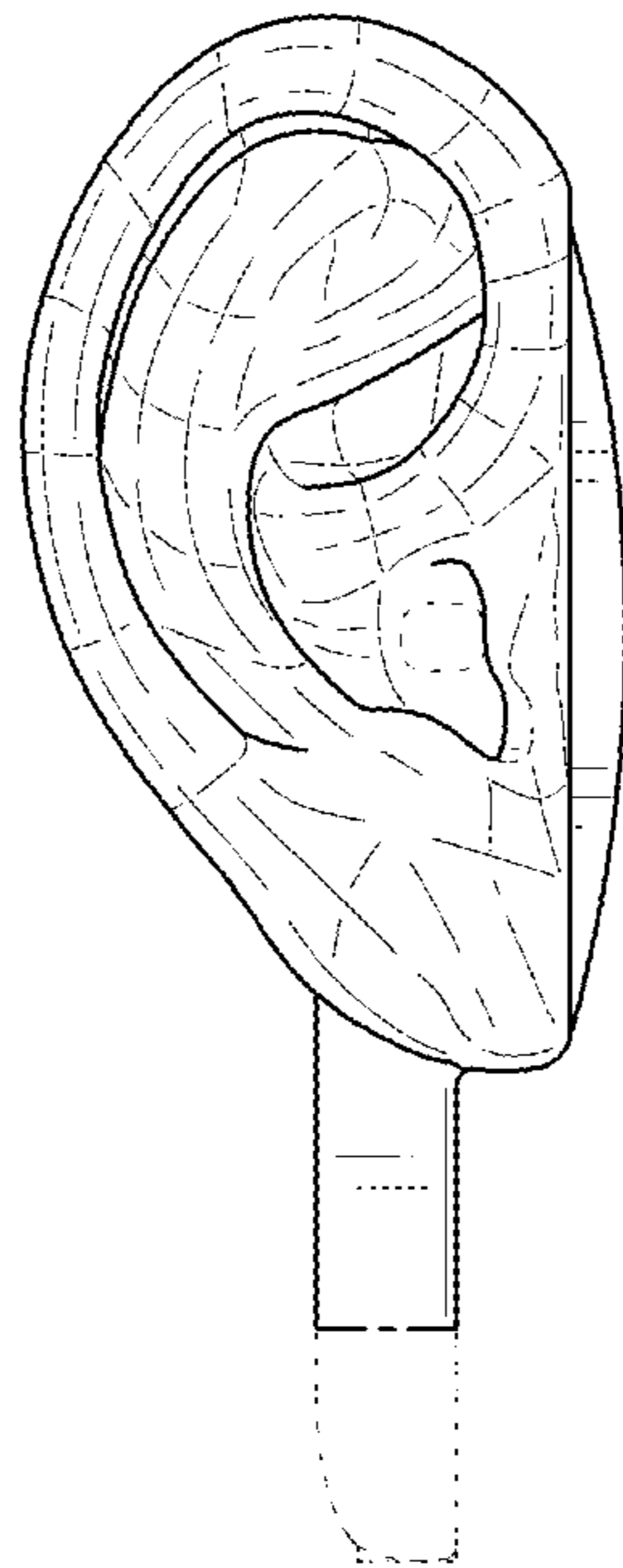


FIG. 5

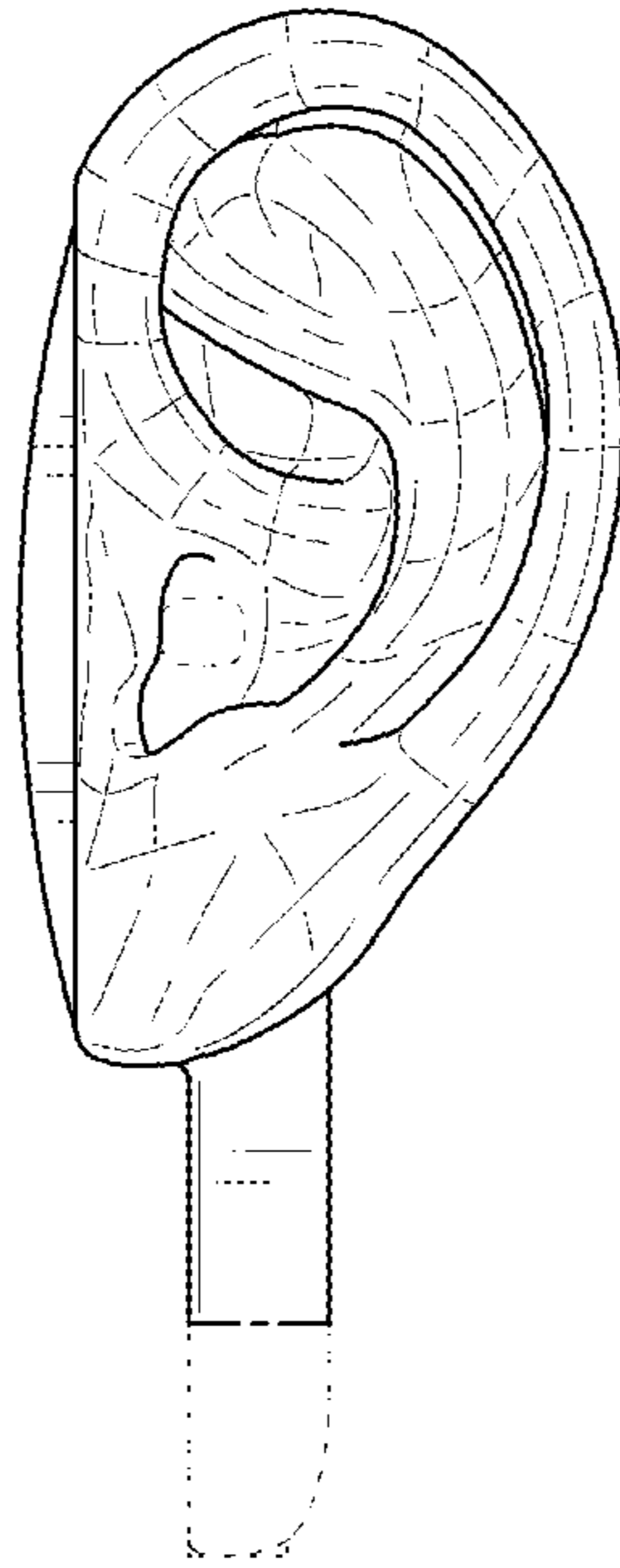


FIG. 6

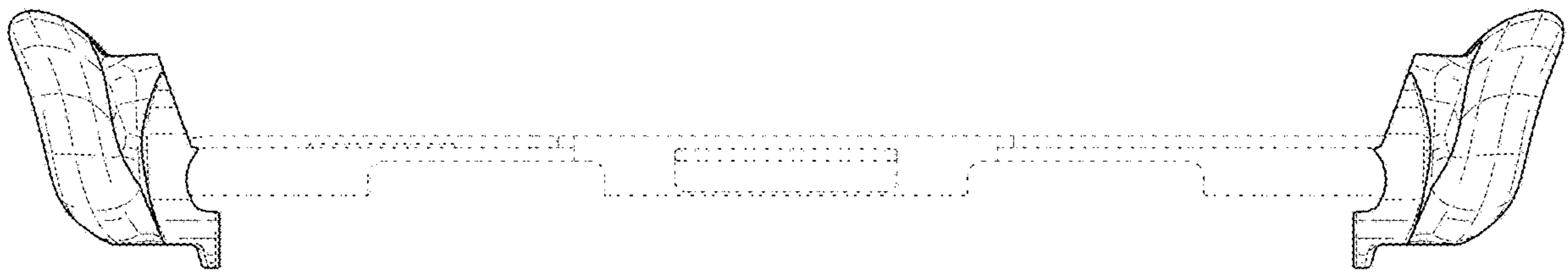


FIG. 7

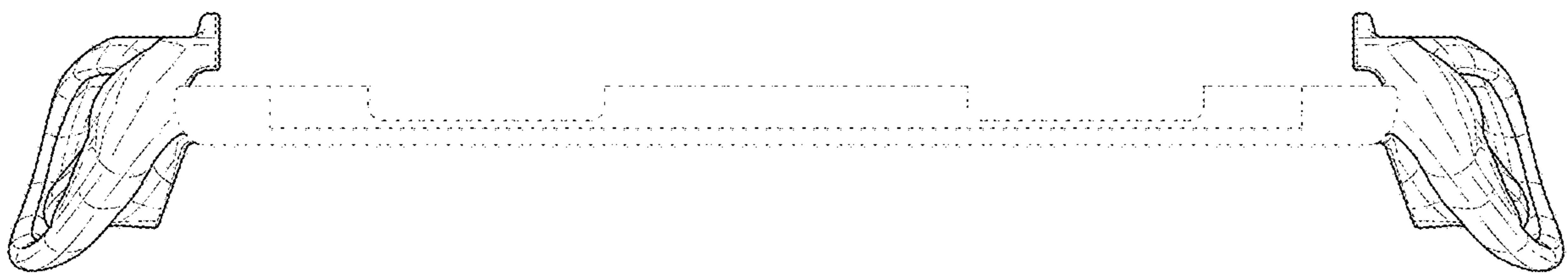


FIG. 8

