



US00D905028S

(12) **United States Design Patent**
Cran et al.

(10) **Patent No.: US D905,028 S**
(45) **Date of Patent: ** Dec. 15, 2020**

(54) **WIFI ROUTER**

DESCRIPTION

- (71) Applicant: **MAKE GREAT SALES LIMITED,**
Wan Chai (HK)
- (72) Inventors: **Bruce Cran,** Ho Chi Minh (VN); **Kin Choi Lee,** Wan Chai (HK)
- (73) Assignee: **MAKE GREAT SALES LIMITED**
- (**) Term: **15 Years**
- (21) Appl. No.: **29/707,313**
- (22) Filed: **Sep. 27, 2019**
- (51) **LOC (12) Cl. 14-03**
- (52) **U.S. Cl.**
USPC **D14/240; D14/358**
- (58) **Field of Classification Search**
USPC ... D14/140.1, 240, 242, 358, 125, 129, 130,
D14/140, 142, 155, 167, 168, 172, 188,
(Continued)

(56) **References Cited**

U.S. PATENT DOCUMENTS

- D268,029 S * 2/1983 Fisher D14/385
 - D363,289 S * 10/1995 Kobayashi D14/242
- (Continued)

OTHER PUBLICATIONS

Wireless signal extenders and wifi routers. (Design—© Questel) orbit.com. [online PDF] 93 pgs. Print Dates Range Aug. 12, 2015 through May 5, 2020. [retrieved Sep. 23, 2020] <https://www.orbit.com/export/QPTUJ214/pdf2/5061104e-169b-41f4-8981-253e345caa74-002146.pdf>.*

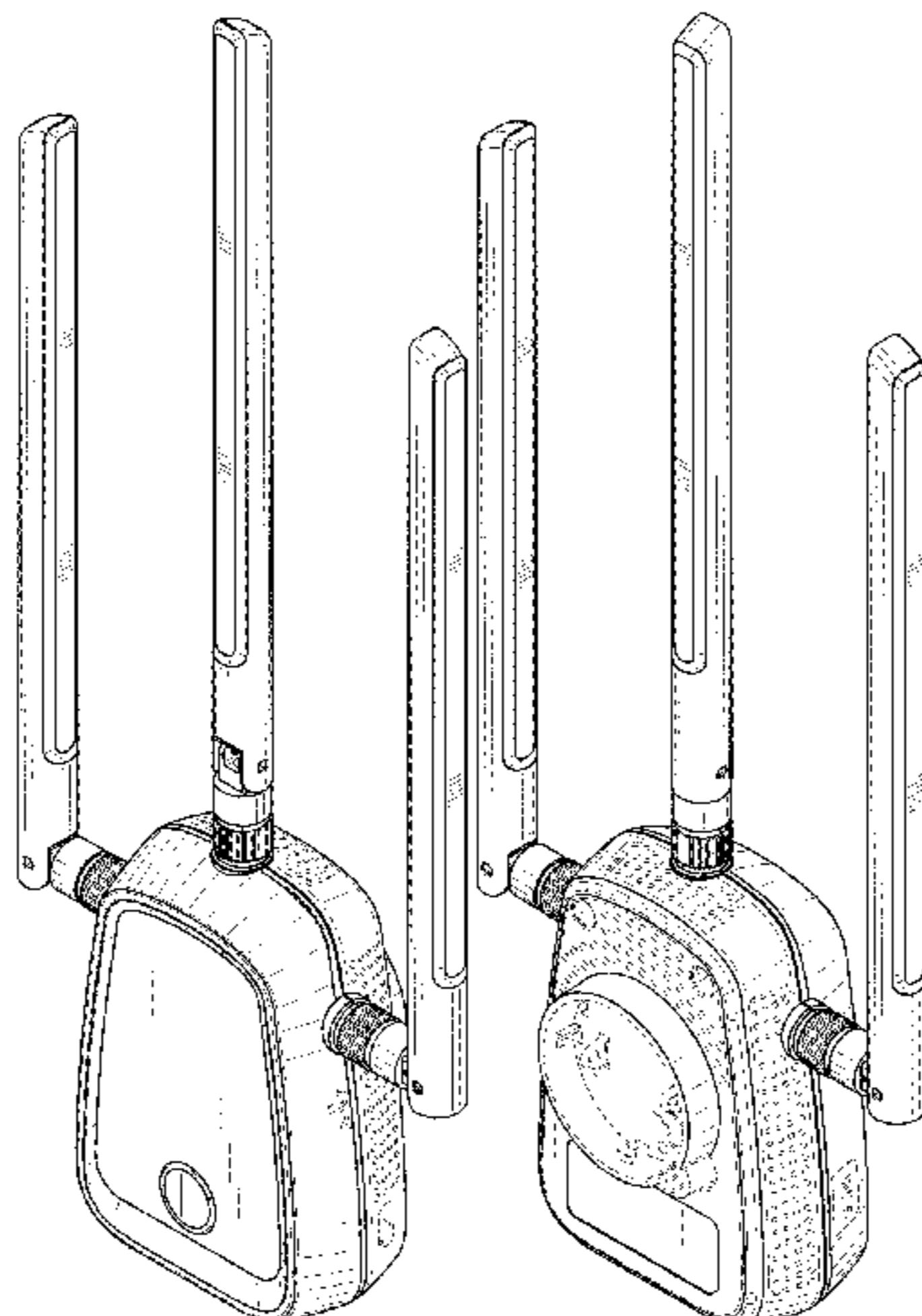
Primary Examiner — Marie D. Fast Horse
(74) *Attorney, Agent, or Firm* — Onello & Mello, LLP

(57) **CLAIM**

The ornamental design for a WIFI router, as shown and described.

FIG. 1 is a first isometric view of a first embodiment of a WIFI router, in accordance with our design;
 FIG. 2 is a rear isometric view of the WIFI router of FIG. 1;
 FIG. 3 is a front view of the WIFI router of FIG. 1;
 FIG. 4 is a rear view of the WIFI router of FIG. 1;
 FIG. 5 is a left-side view of the WIFI router of FIG. 1;
 FIG. 6 is a right-side view of the WIFI router of FIG. 1;
 FIG. 7 is a top view of the WIFI router of FIG. 1;
 FIG. 8 is a bottom view of the WIFI router of FIG. 1;
 FIG. 9 is a front isometric view of a second embodiment of a WIFI router, in accordance with our design;
 FIG. 10 is a rear isometric view of the WIFI router of FIG. 9;
 FIG. 11 is a front view of the WIFI router of FIG. 9;
 FIG. 12 is a rear view of the WIFI router of FIG. 9;
 FIG. 13 is a left-side view of the WIFI router of FIG. 9;
 FIG. 14 is a right-side view of the WIFI router of FIG. 9;
 FIG. 15 is a top view of the WIFI router of FIG. 9;
 FIG. 16 is a bottom view of the WIFI router of FIG. 9;
 FIG. 17 is a front perspective view of the WIFI router of FIG. 1 with a plug in it;
 FIG. 18 is a rear perspective view of the WIFI router of FIG. 17;
 FIG. 19 is a front view of the WIFI router of FIG. 17;
 FIG. 20 is a rear view of the WIFI router of FIG. 17;
 FIG. 21 is a left-side view of the WIFI router of FIG. 17;
 FIG. 22 is a right-side view of the WIFI router of FIG. 17;
 FIG. 23 is a top view of the WIFI router of FIG. 17;
 FIG. 24 is a bottom view of the WIFI router of FIG. 17;
 FIG. 25 is a front perspective view of the is a front perspective view of the WIFI router of FIG. 9 with a plug in it;
 FIG. 26 is a rear perspective view of the WIFI router of FIG. 25;
 FIG. 27 is a front view of the WIFI router of FIG. 25;
 FIG. 28 is a rear view of the WIFI router of FIG. 25;
 FIG. 29 is a left-side view of the WIFI router of FIG. 25;
 FIG. 30 is a right-side view of the WIFI router of FIG. 25;
 FIG. 31 is a top view of the WIFI router of FIG. 25; and,
 FIG. 32 is a bottom view of the WIFI router of FIG. 25.

(Continued)



The broken lines in the drawings depict portions of the WIFI router that from no part of the claimed design.

1 Claim, 24 Drawing Sheets

(58) Field of Classification Search

USPC D14/195, 299, 496, 348, 351, 356, 357,
 D14/197, 198, 230; D13/110, 123, 152,
 D13/158, 162, 162.1, 163, 168, 184, 199,
 D13/108, 179; D10/104.1, 106.1, 106.6,
 D10/116.1, 61, 64, 75, 106.9
 CPC ... H04W 88/00; H04W 88/005; H04W 88/02;
 H04W 88/08; H04W 88/085; H04W
 88/10; H04W 88/12; H04W 88/14; H04W
 88/16; H04W 88/18; H04W 4/00; H01Q
 1/02; H01Q 1/2291; H01Q 1/246; H04B
 1/38

See application file for complete search history.

(56) References Cited

U.S. PATENT DOCUMENTS

D374,675 S * 10/1996 Sakai D14/242
 D382,251 S * 8/1997 Tsui D13/137.1
 D425,480 S * 5/2000 Jokinen D13/107

D455,419 S * 4/2002 Inoue D14/230
 D486,450 S * 2/2004 Stekelenburg D13/137.3
 D487,728 S * 3/2004 Murray D13/162
 D492,262 S * 6/2004 Murray D13/162
 D520,451 S * 5/2006 Stekelenburg D13/137.3
 D562,814 S * 2/2008 Liu D14/240
 D565,036 S * 3/2008 Ju D14/240
 D565,558 S * 4/2008 Liu D14/240
 D575,775 S * 8/2008 Sekine D13/137.3
 D640,692 S * 6/2011 Waisman-Diamond D14/358
 D677,223 S * 3/2013 Cho D13/110
 D705,170 S * 5/2014 Diehl D13/137.1
 D713,788 S * 9/2014 Hasegawa D13/110
 D714,753 S * 10/2014 Lee D14/140
 D724,583 S * 3/2015 Ge D14/358
 D758,312 S * 6/2016 Lin D13/137.2
 D767,426 S * 9/2016 Zhu D10/106.1
 D769,232 S * 10/2016 Chu D14/242
 D771,039 S * 11/2016 Windstrup D14/356
 D772,442 S * 11/2016 Lange D26/26
 D790,460 S * 6/2017 HibmaCronan D13/110
 D790,461 S * 6/2017 HibmaCronan D13/110
 D813,852 S * 3/2018 Ni D14/240
 D814,451 S * 4/2018 Shin D14/242
 D821,373 S * 6/2018 Pera D14/240
 D822,651 S * 7/2018 Gutteridge D14/240
 D860,176 S * 9/2019 Siminoff D14/240
 D862,437 S * 10/2019 Lee D14/242
 D864,931 S * 10/2019 Fahlgren D14/242

* cited by examiner

FIG. 1

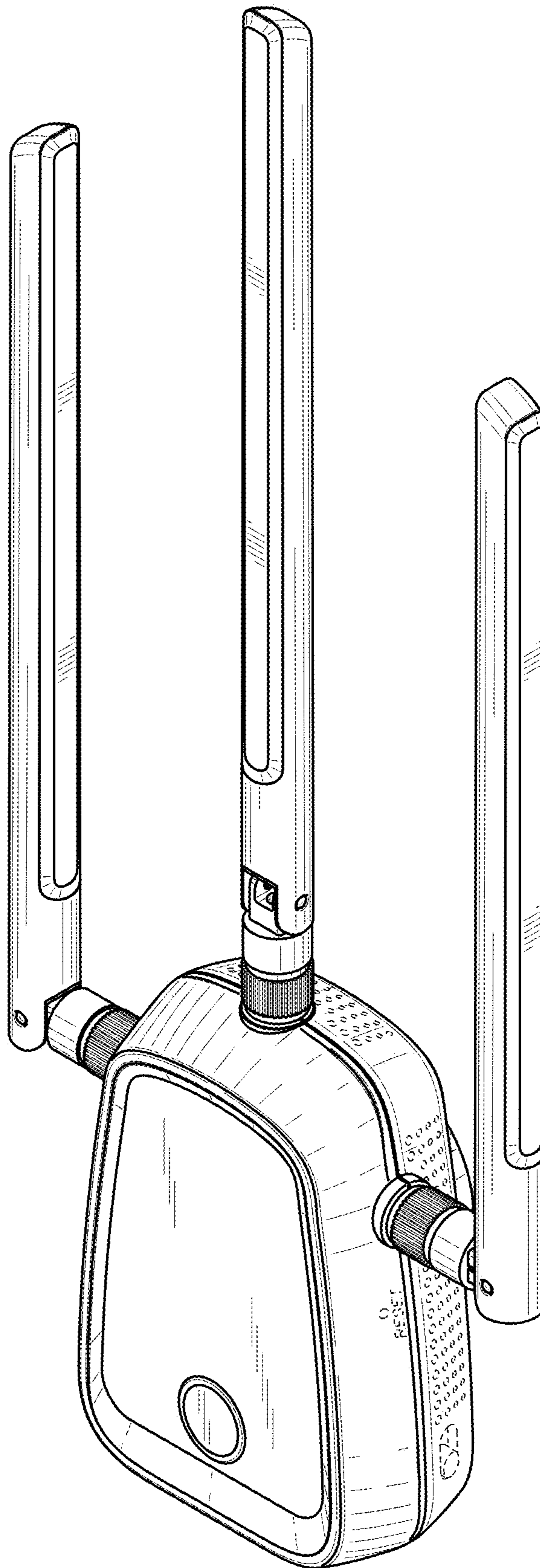


FIG. 2

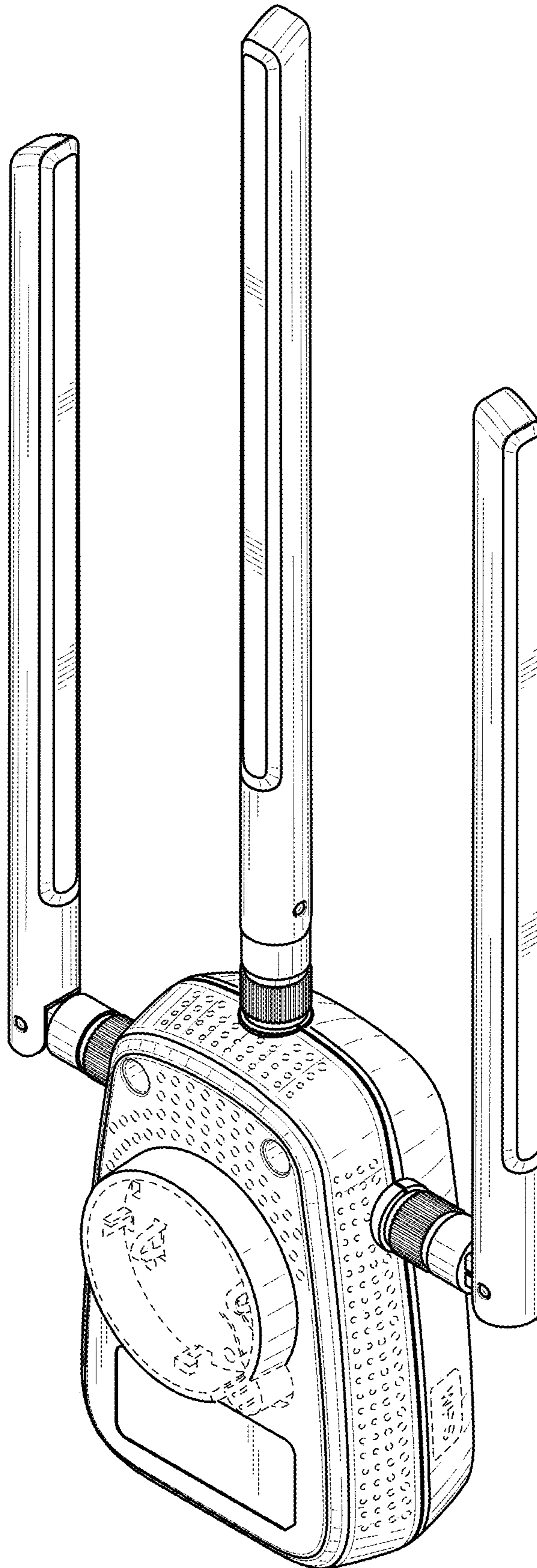


FIG. 3

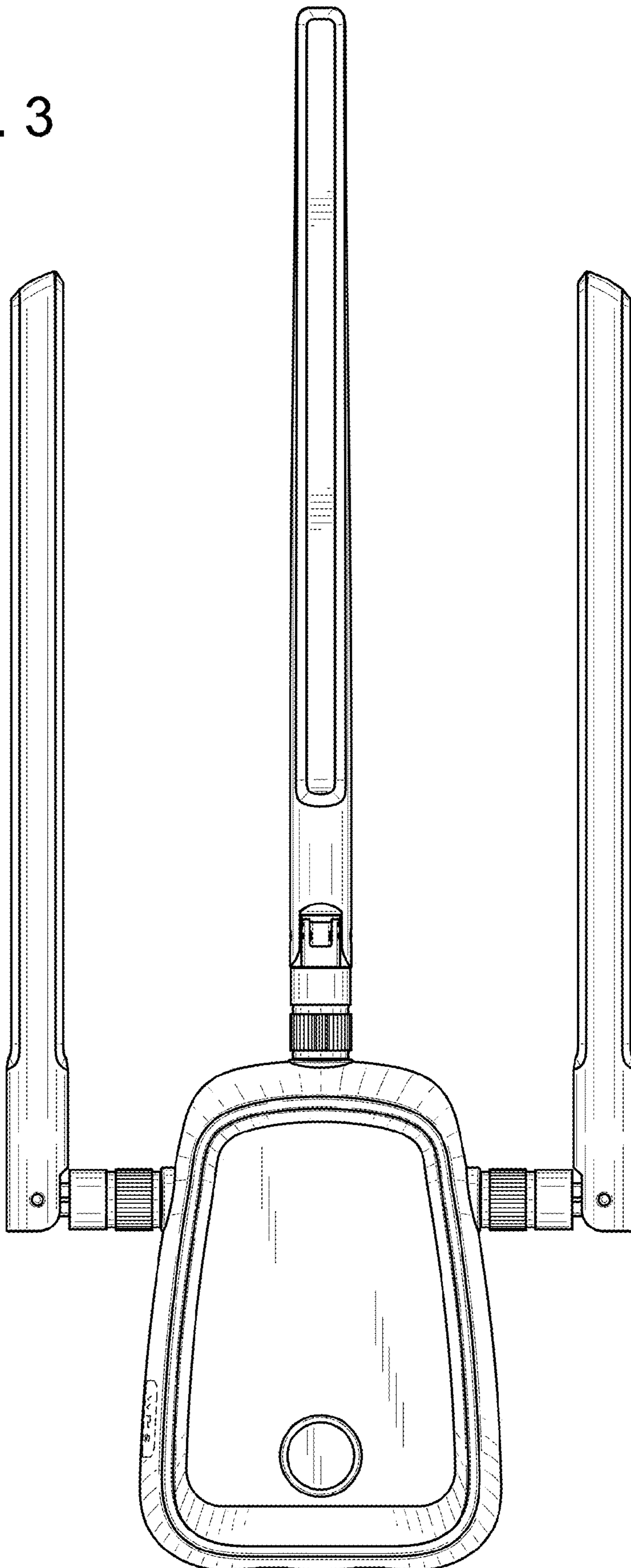


FIG. 4

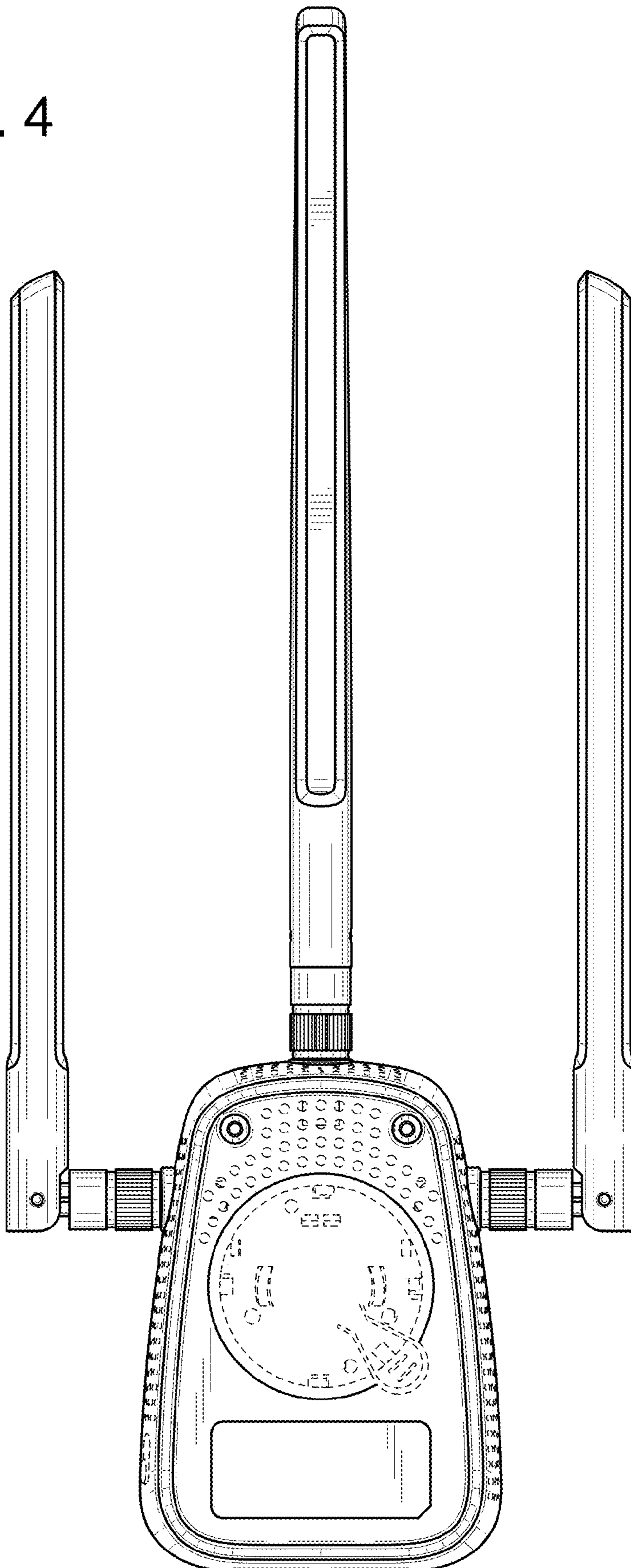


FIG. 5

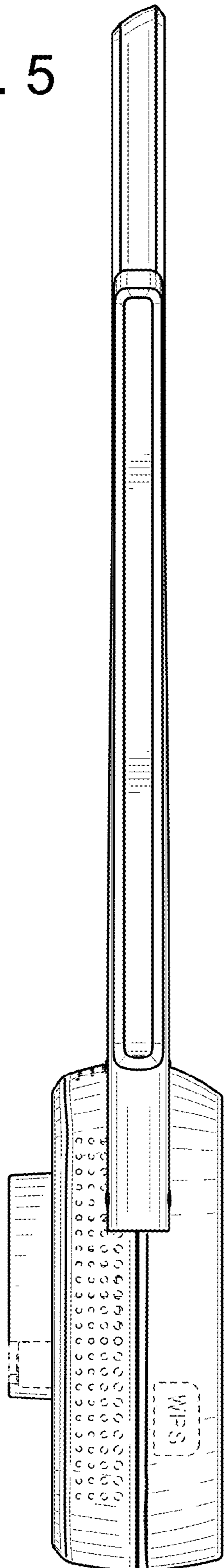
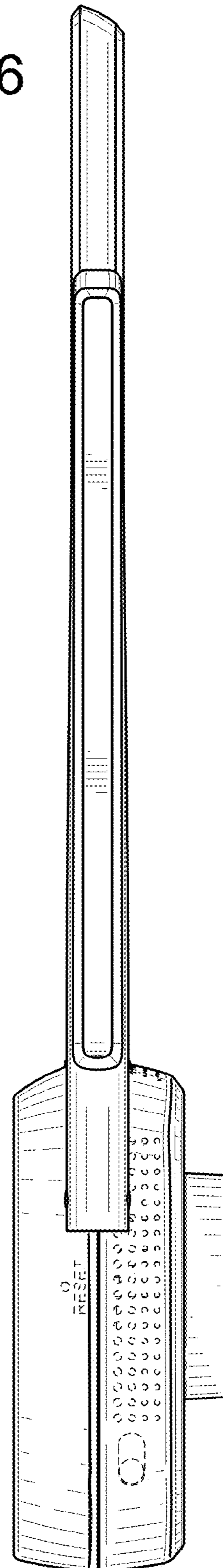


FIG. 6



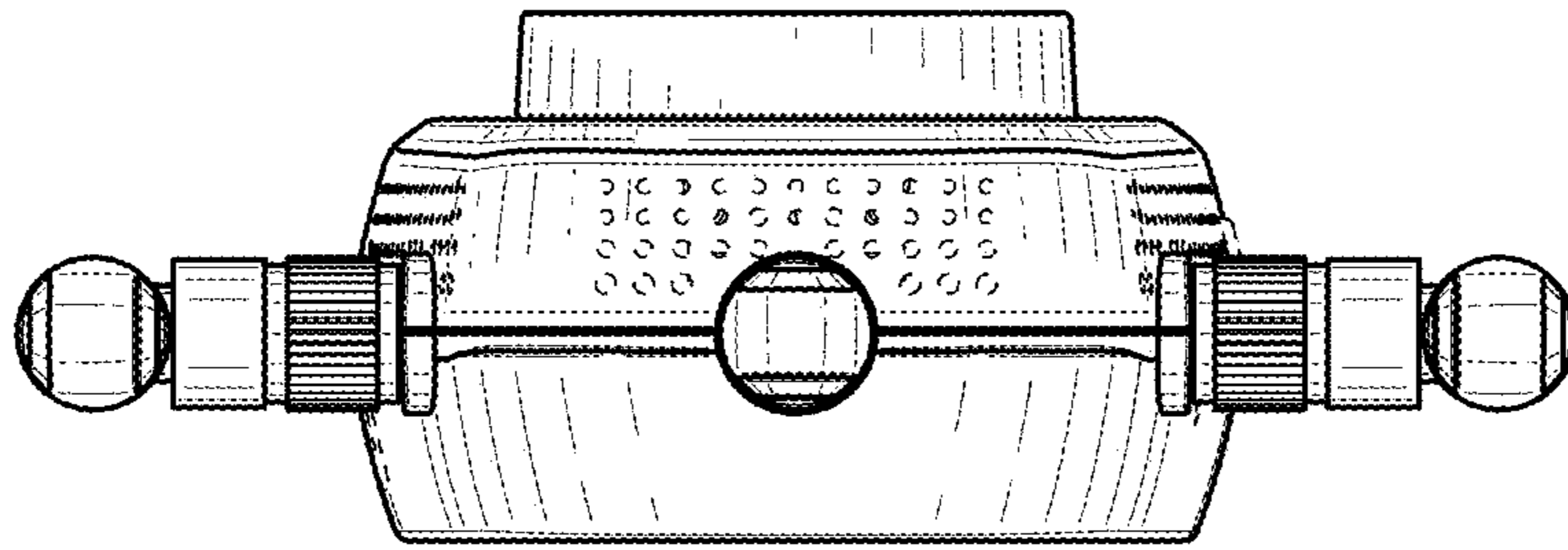


FIG. 7

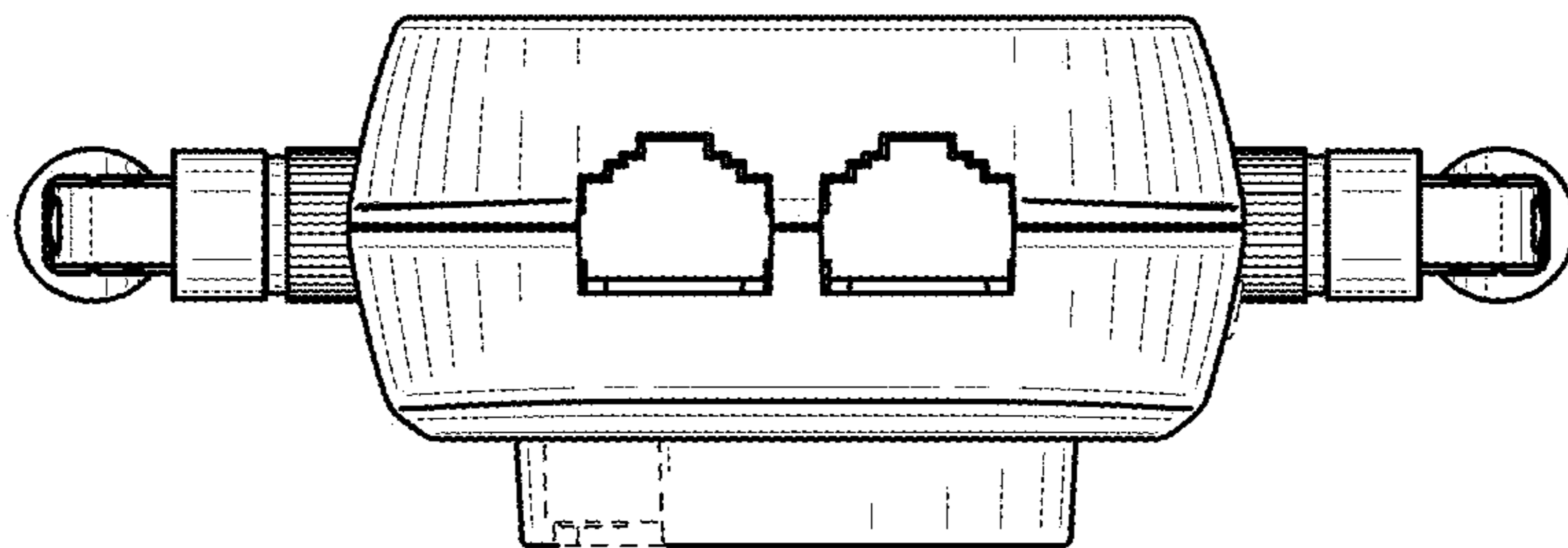


FIG. 8

FIG. 9

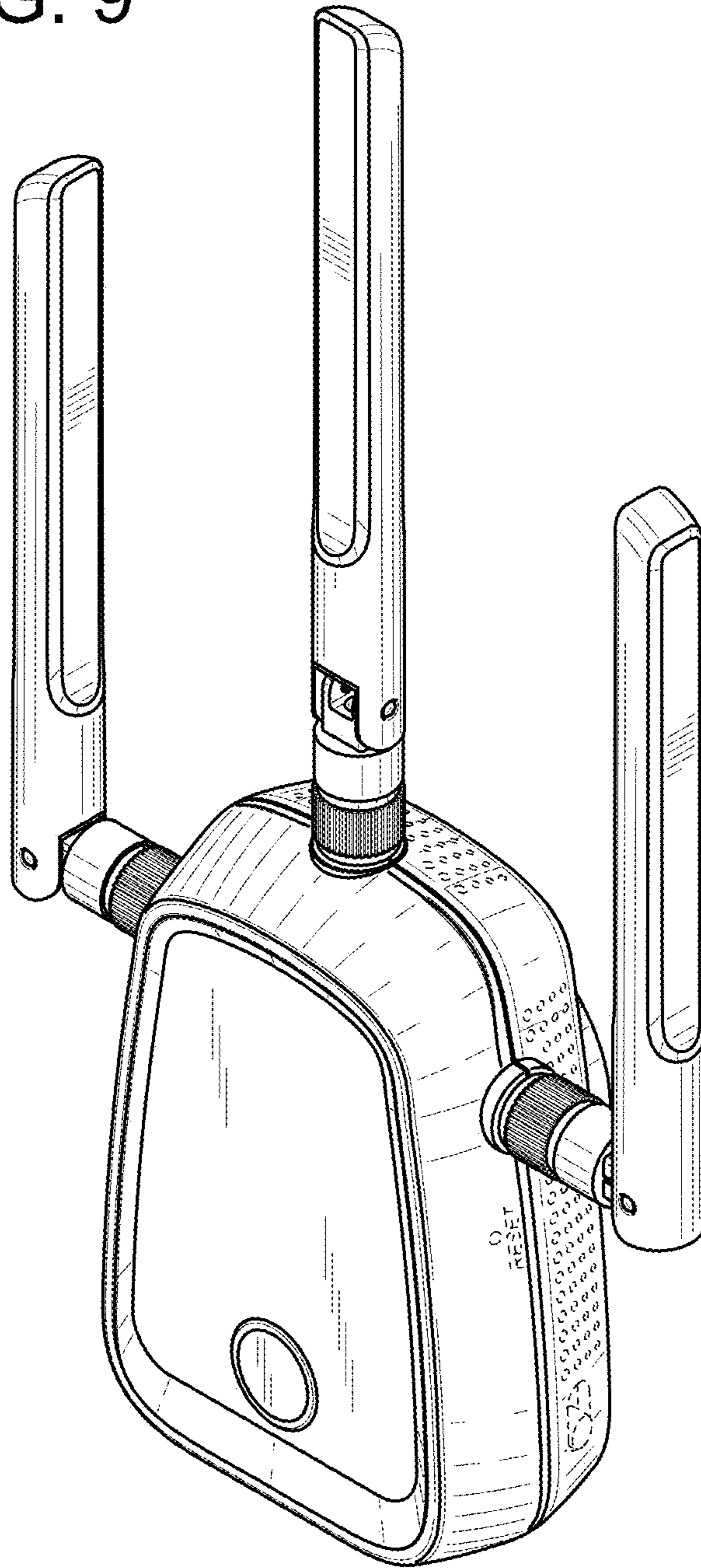


FIG. 10

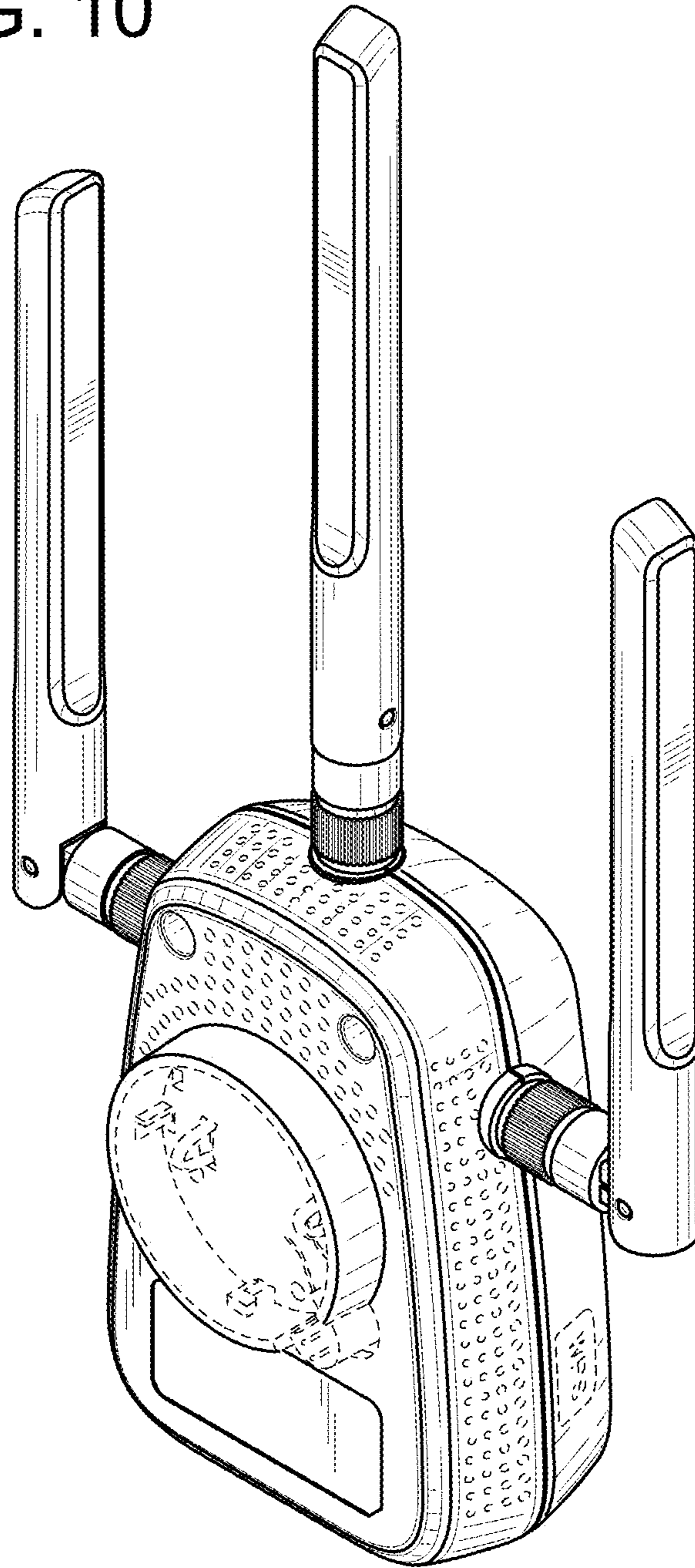


FIG. 11

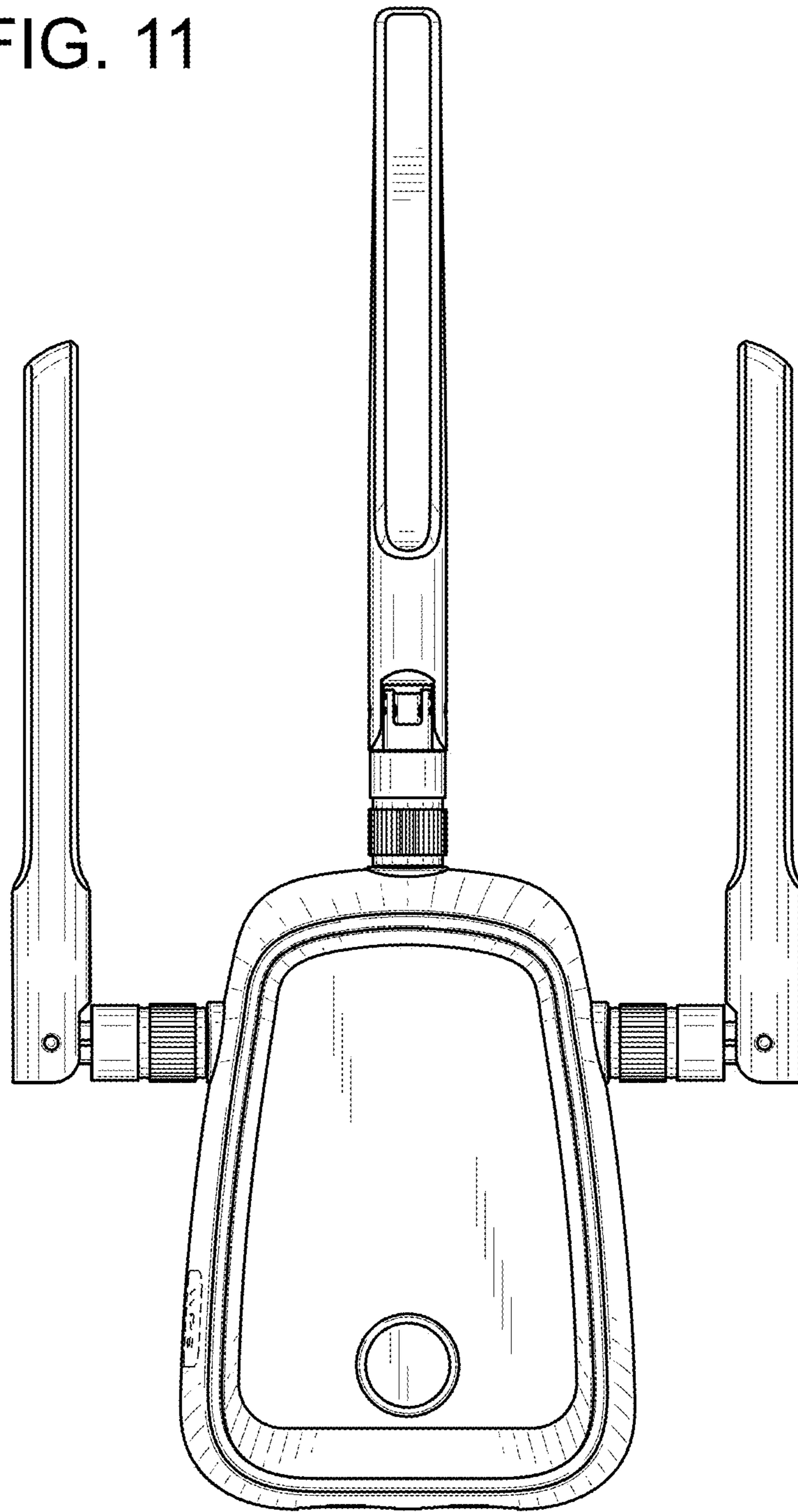


FIG. 12

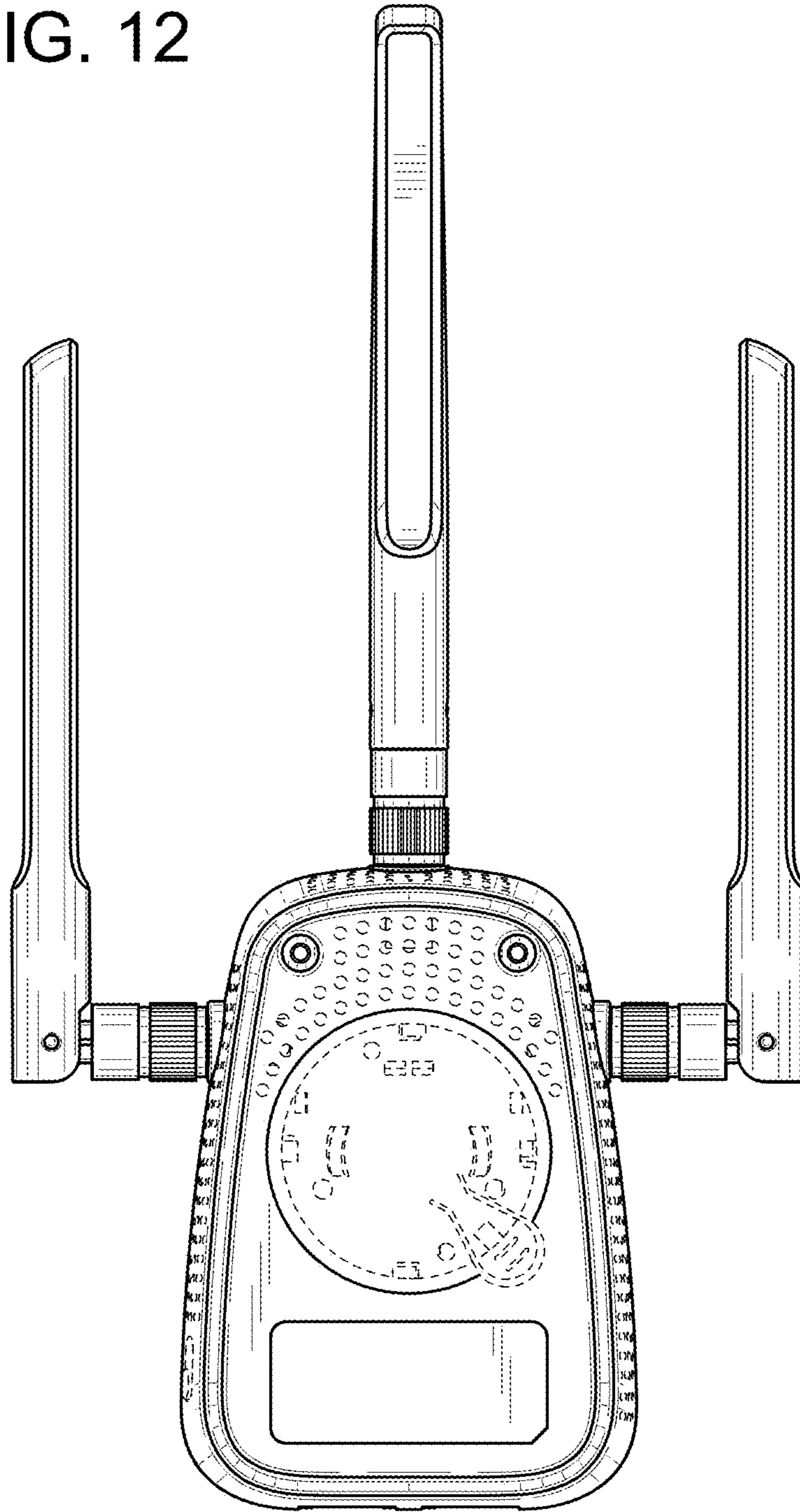


FIG. 13

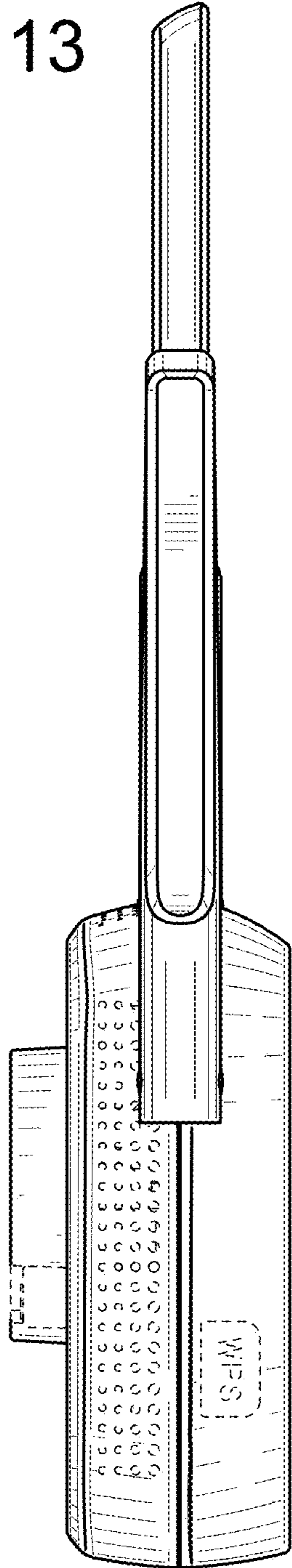
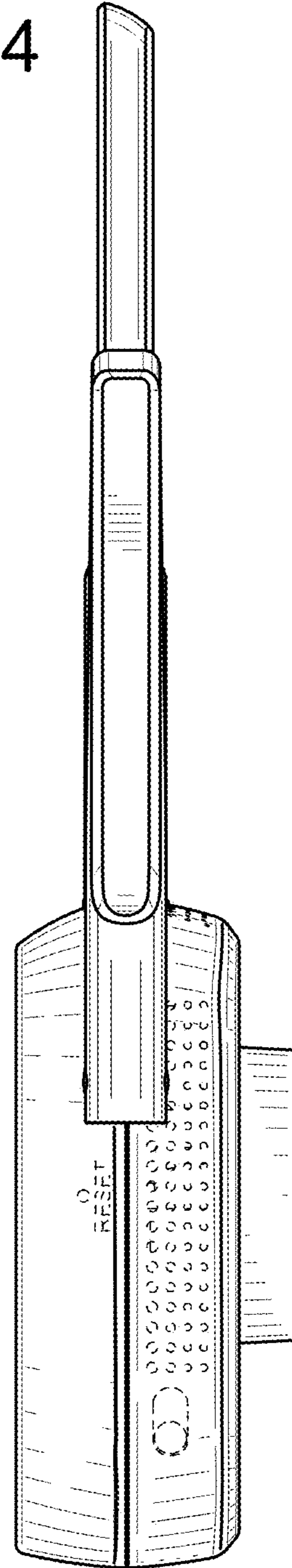


FIG. 14



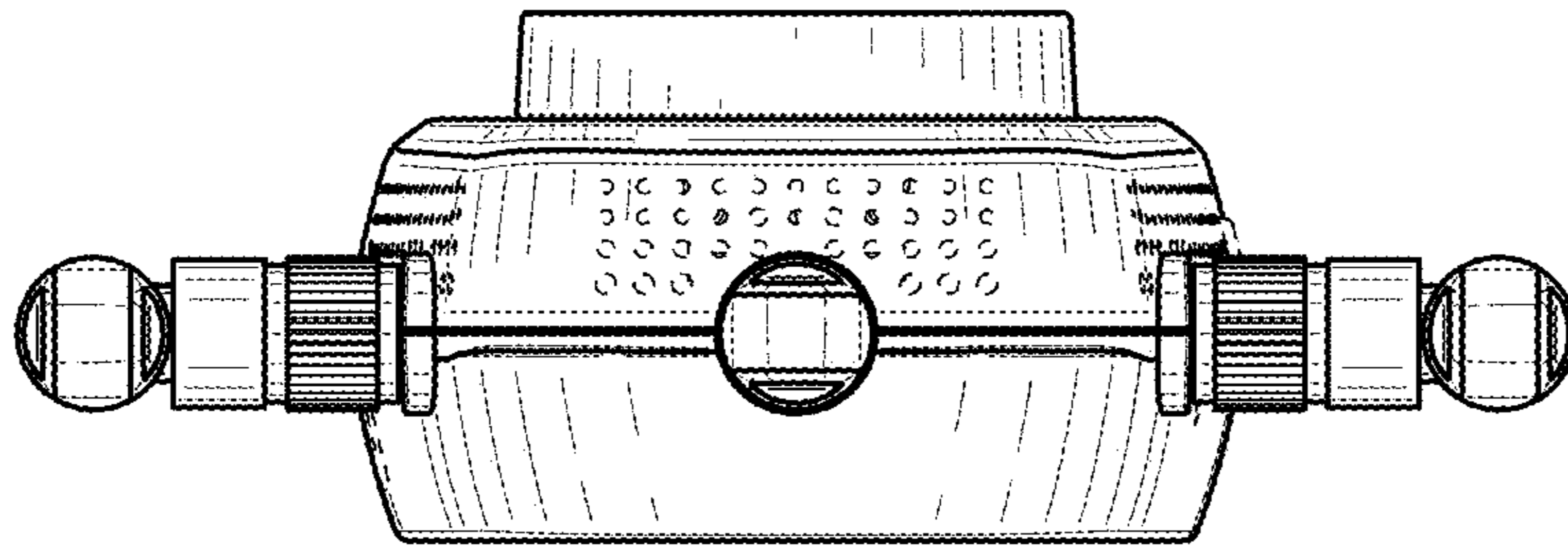


FIG. 15

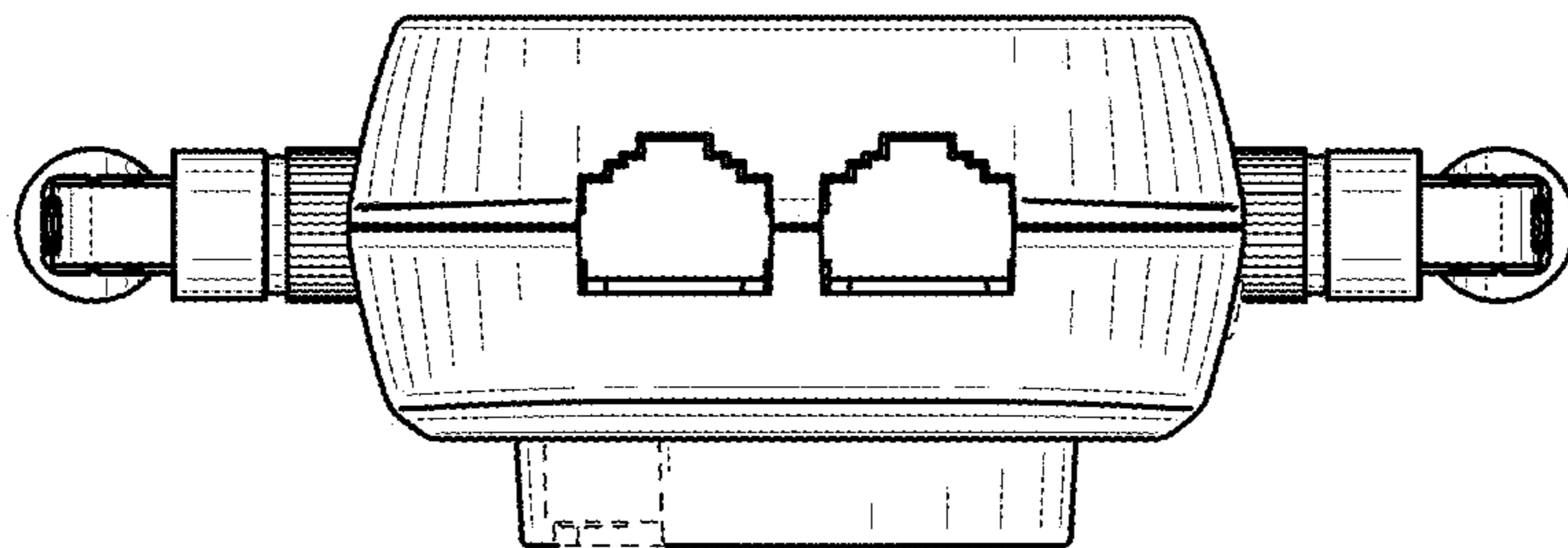


FIG. 16

FIG. 17

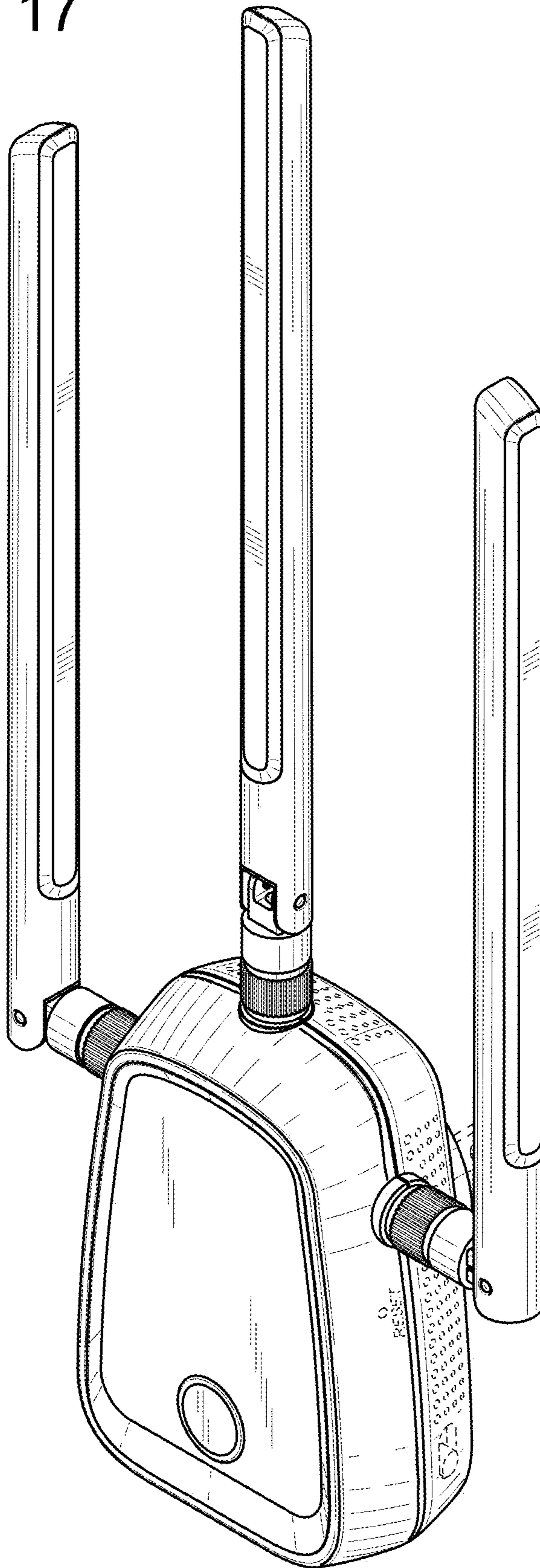


FIG. 18

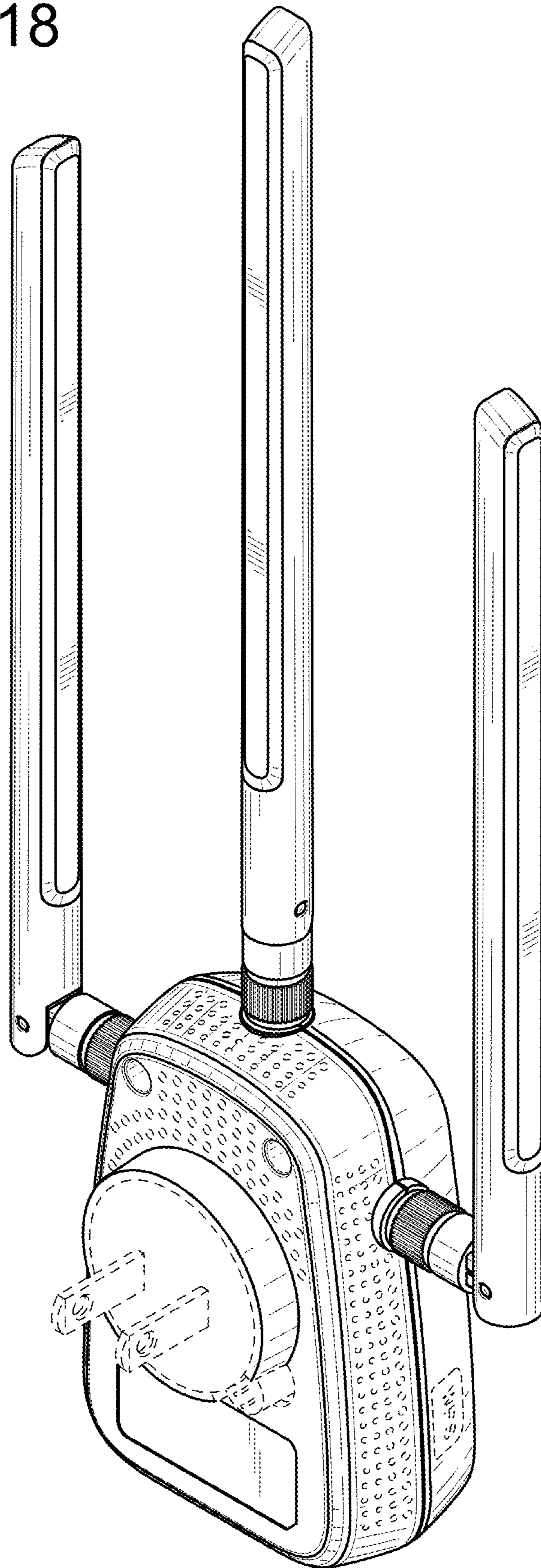


FIG. 19

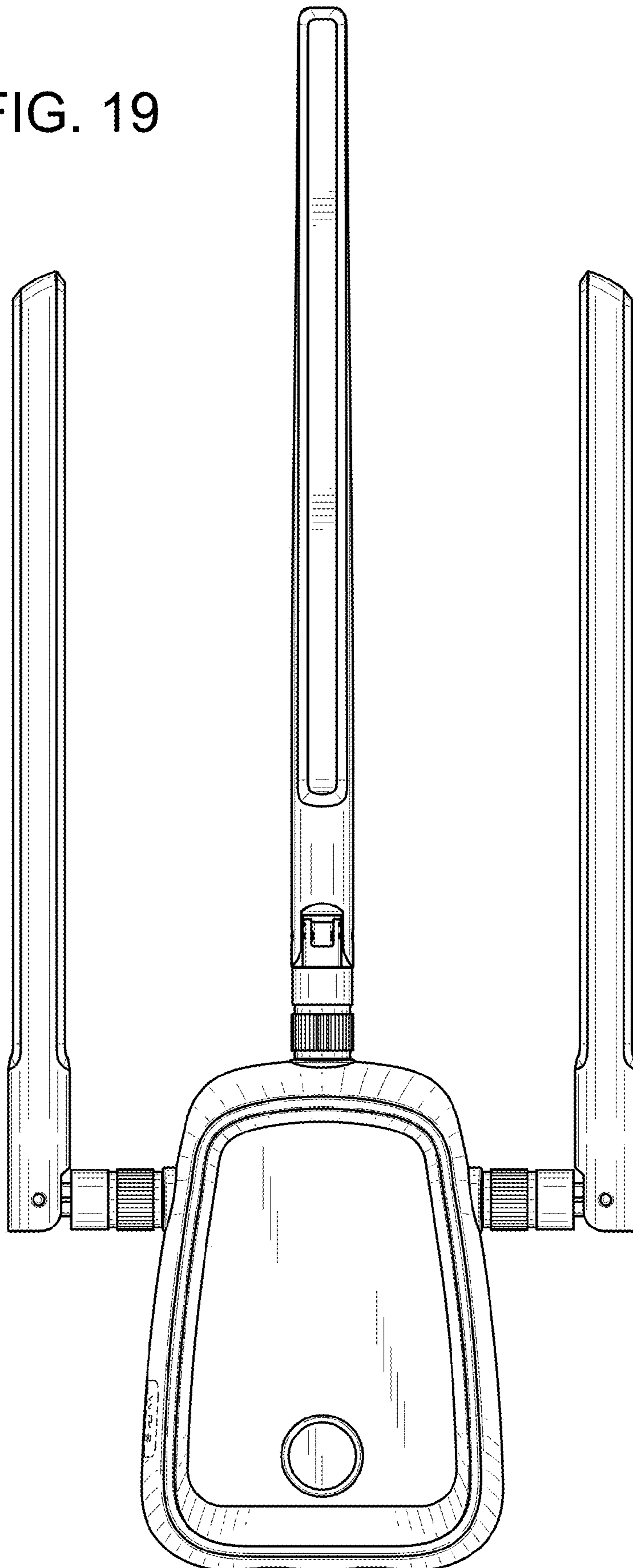


FIG. 20

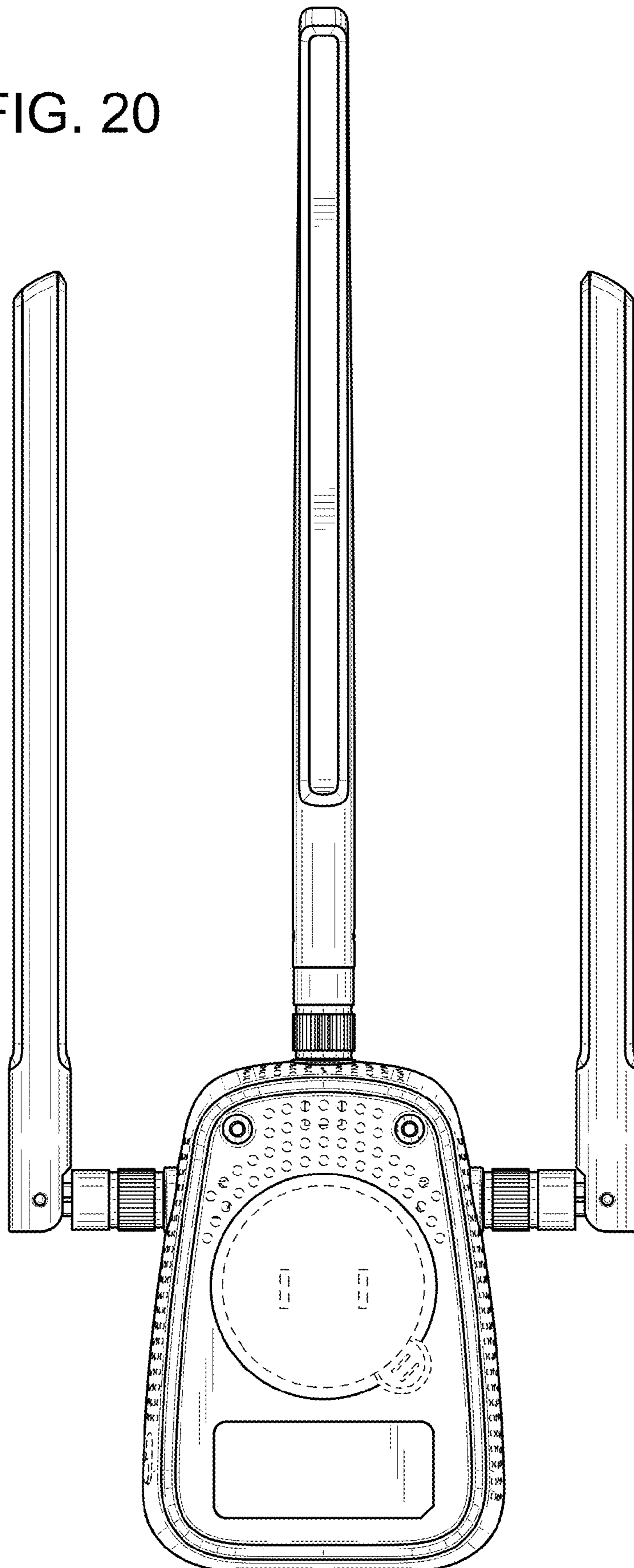


FIG. 21

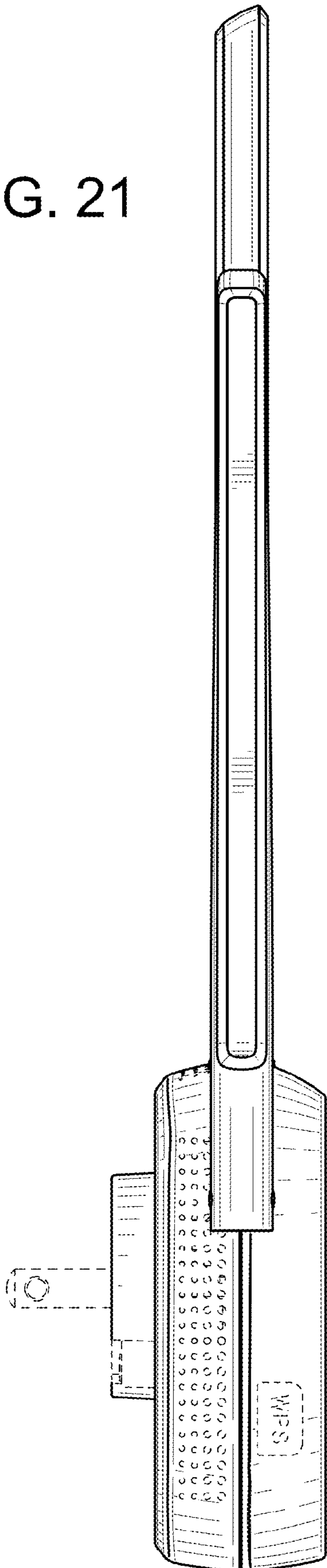
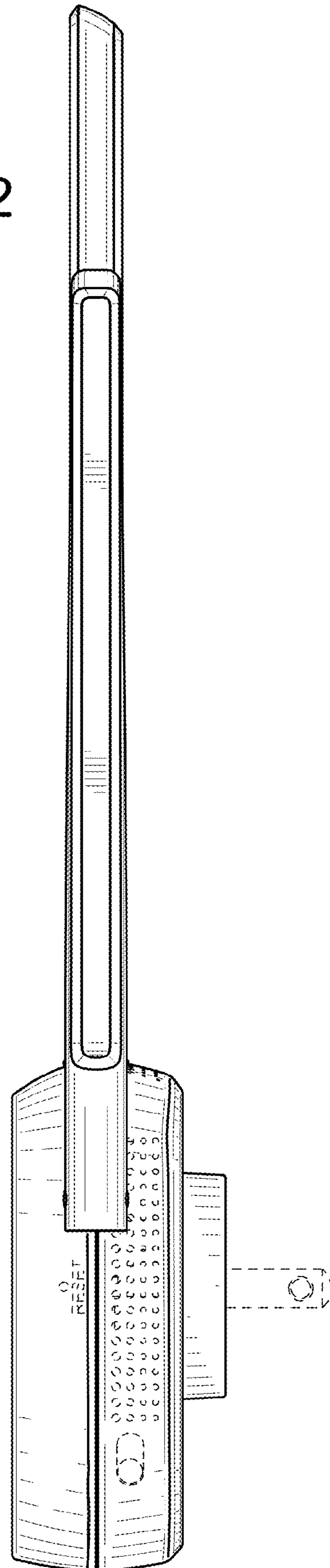


FIG. 22



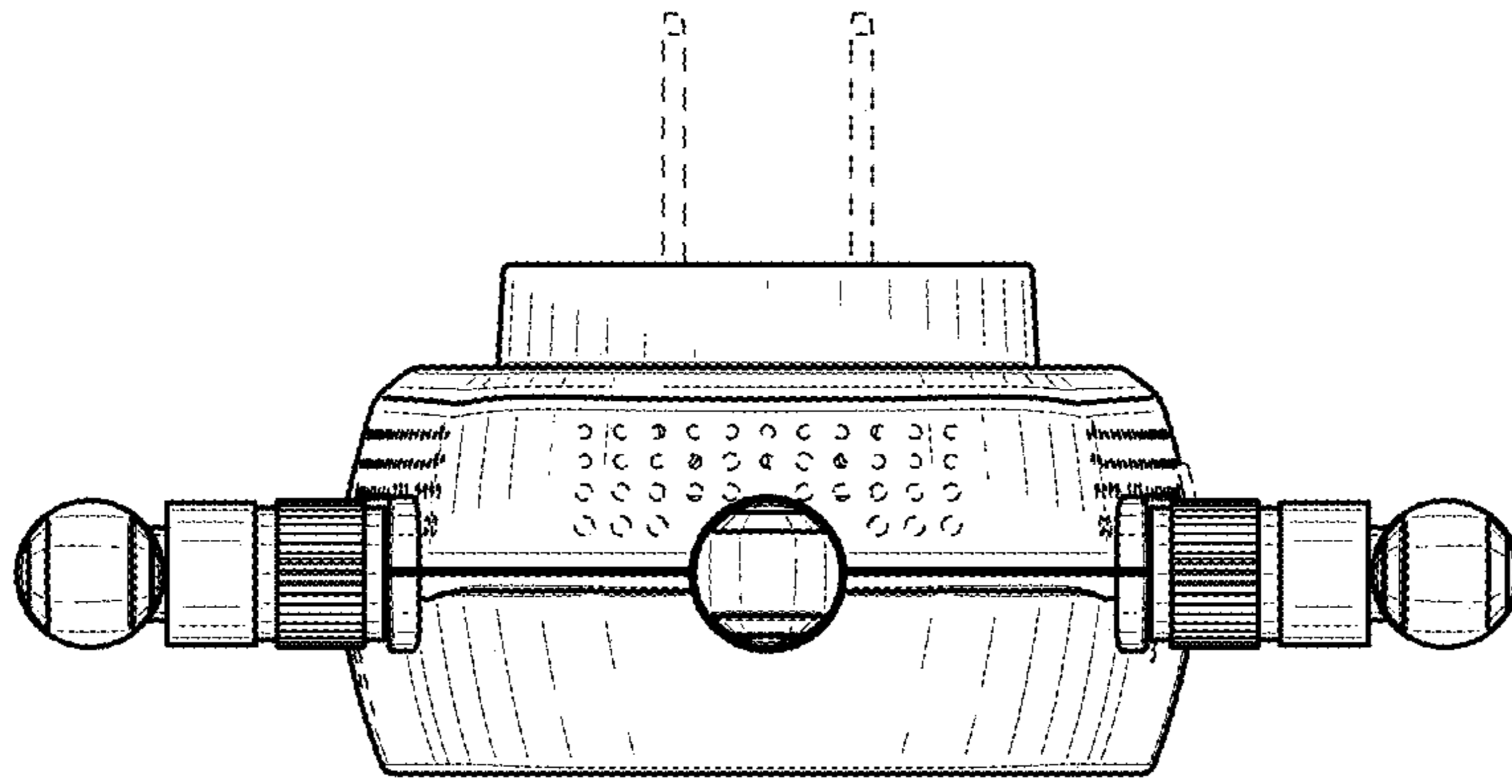


FIG. 23

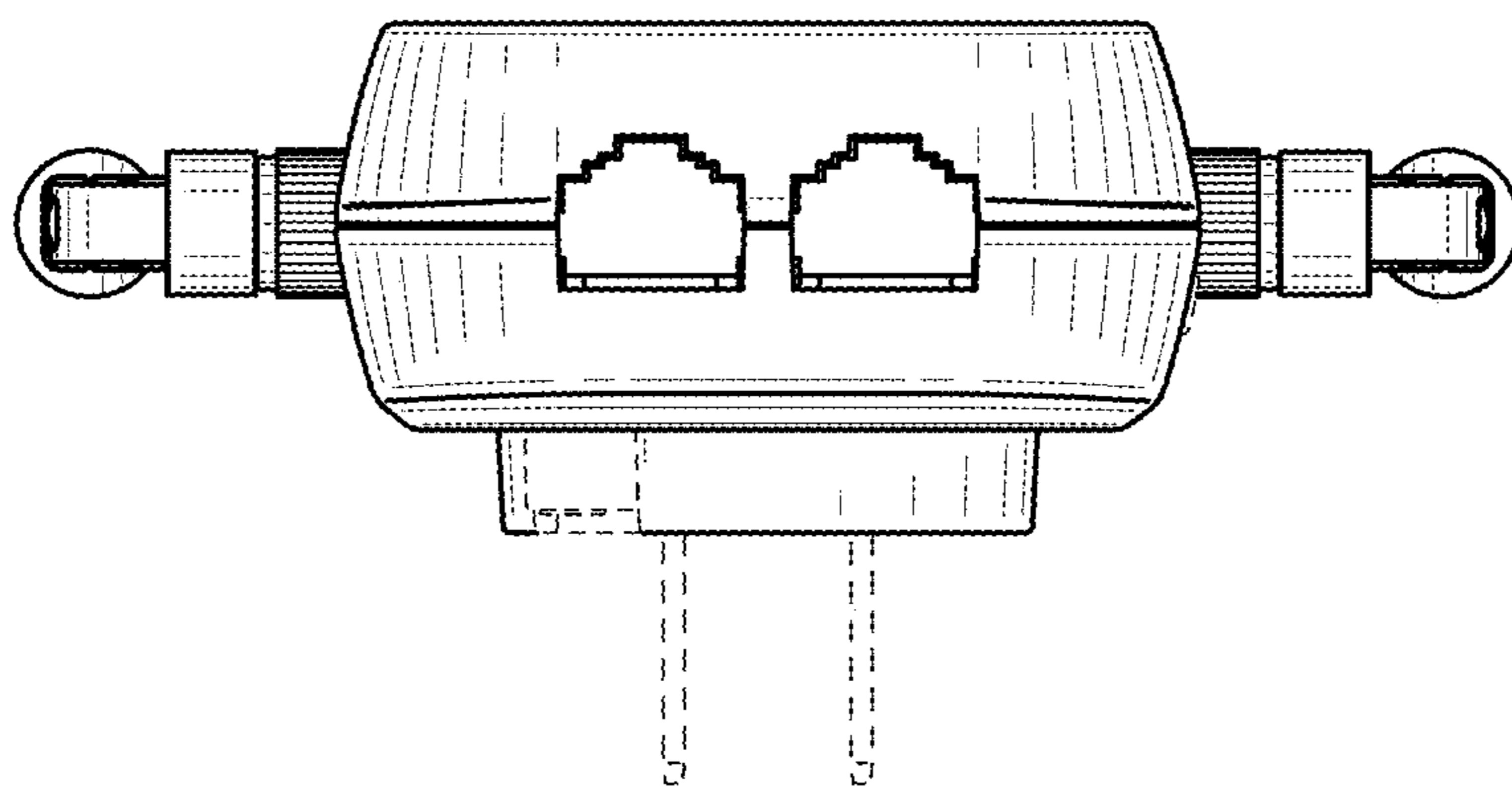


FIG. 24

FIG. 25

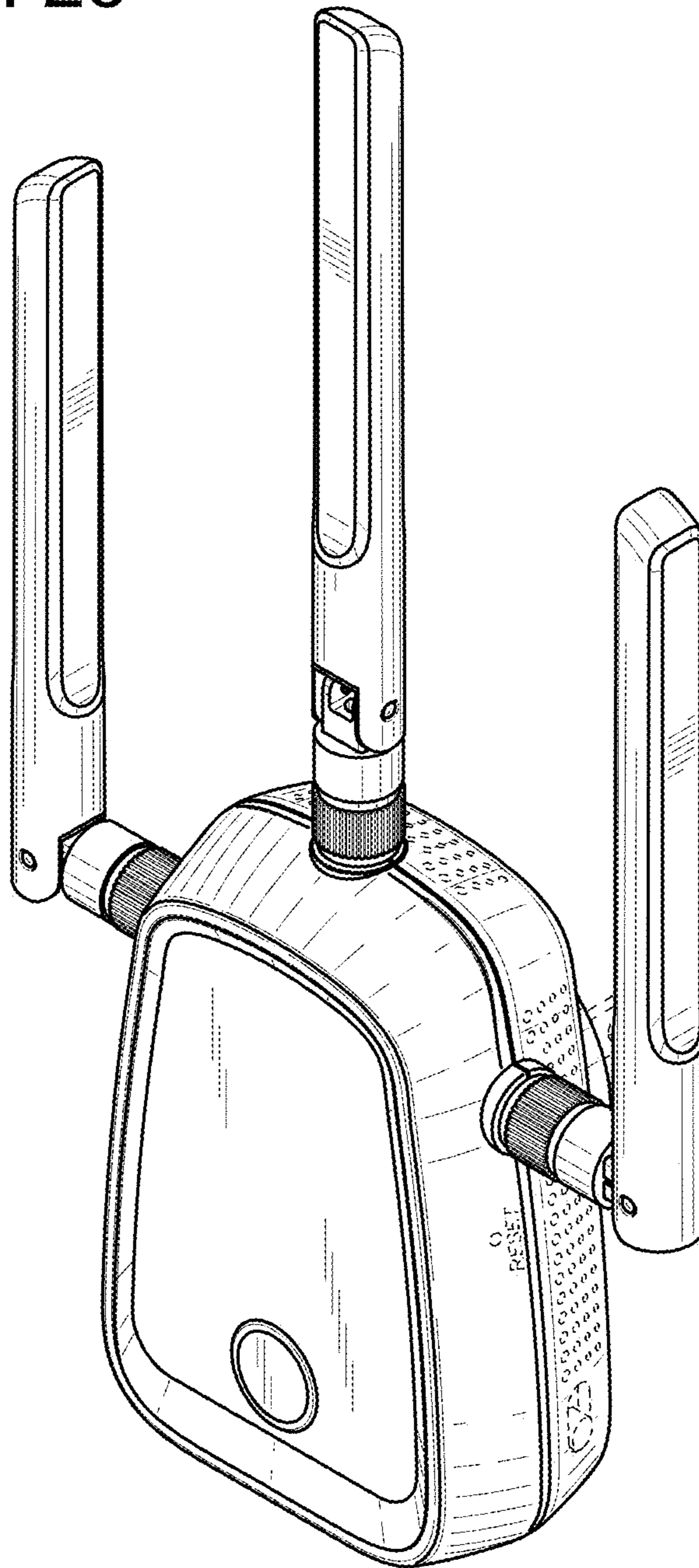


FIG. 26

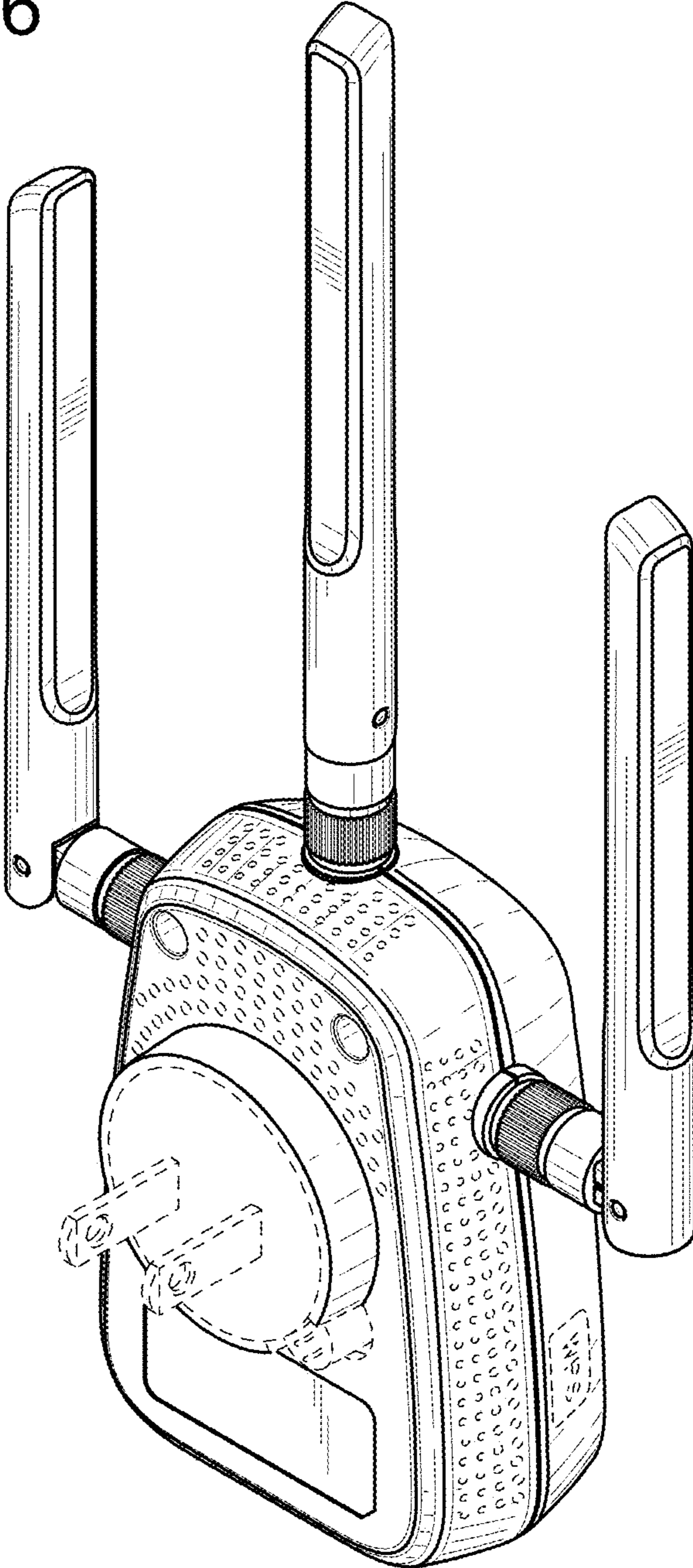


FIG. 27

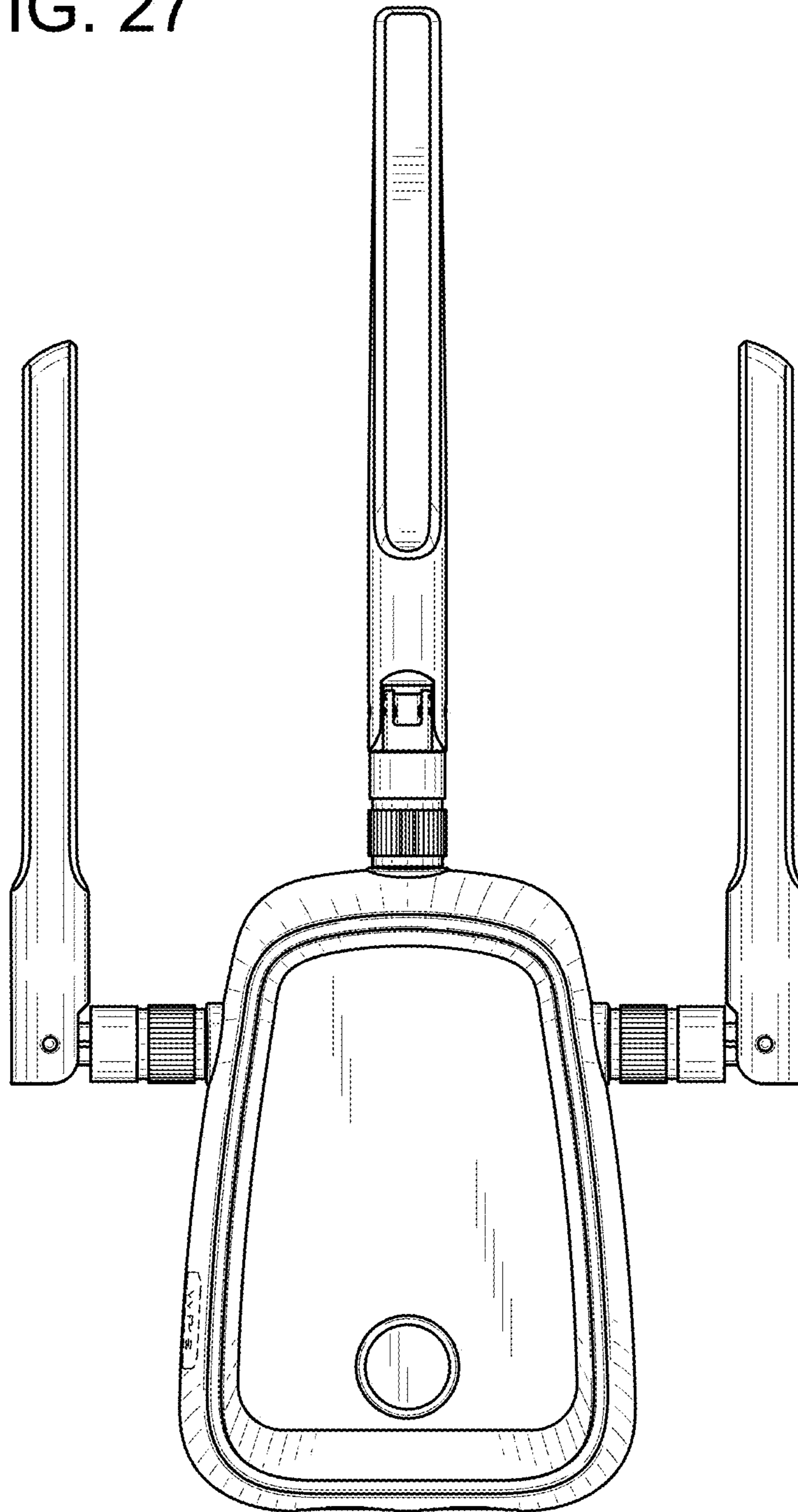


FIG. 28

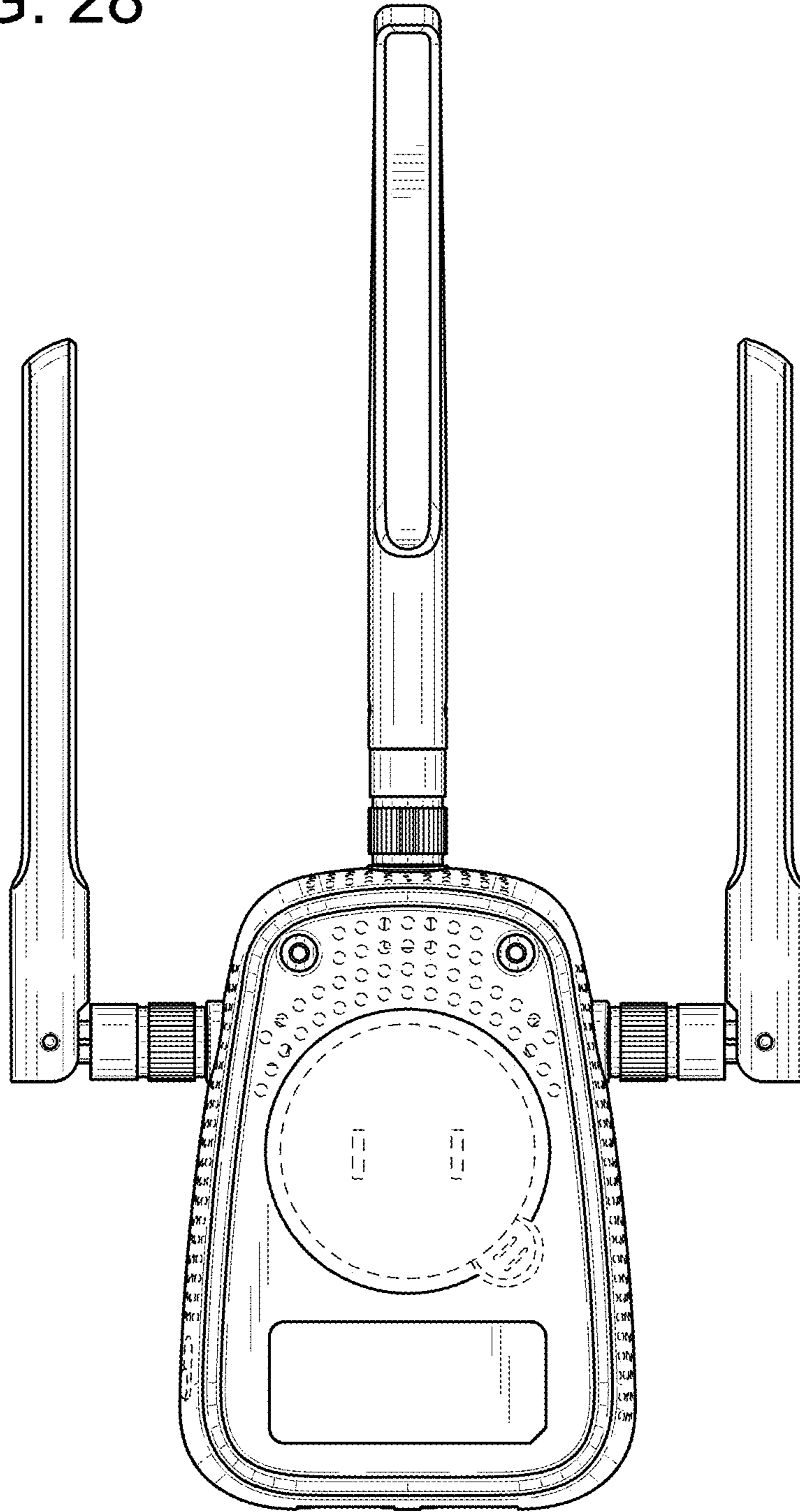


FIG. 29

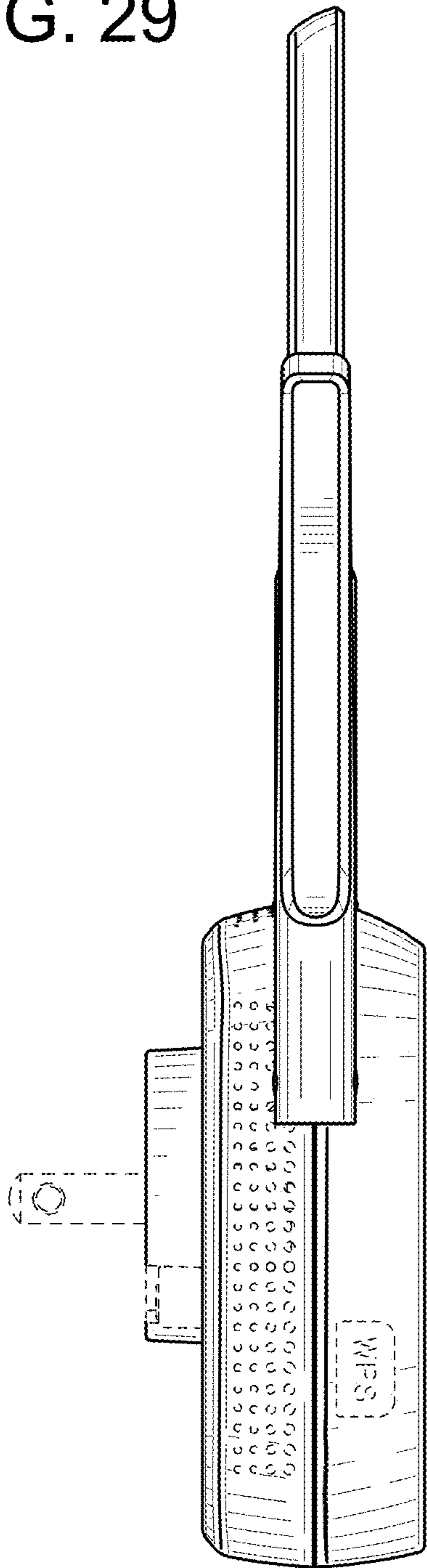
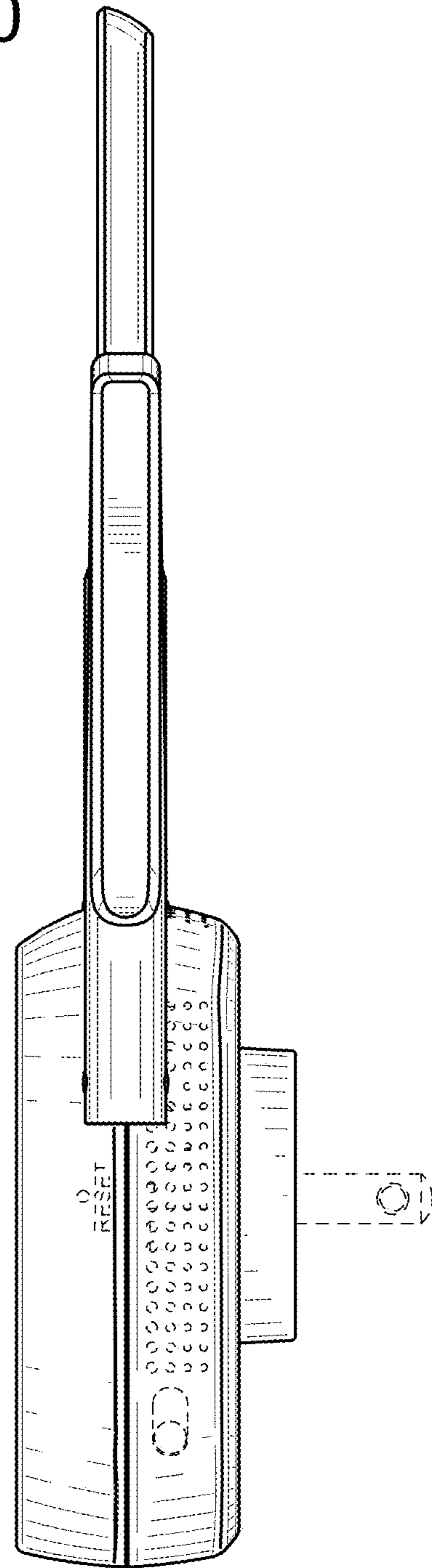


FIG. 30



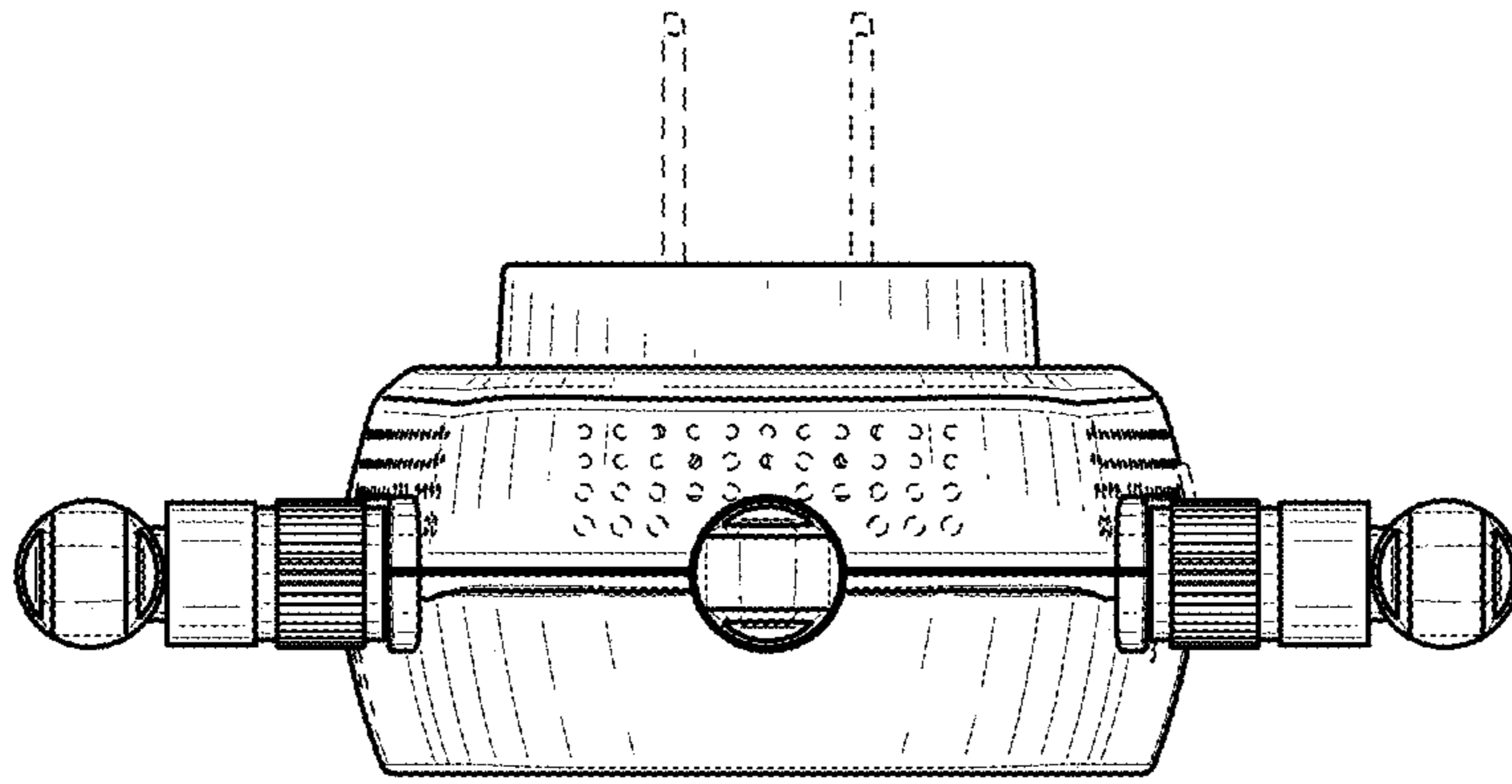


FIG. 31

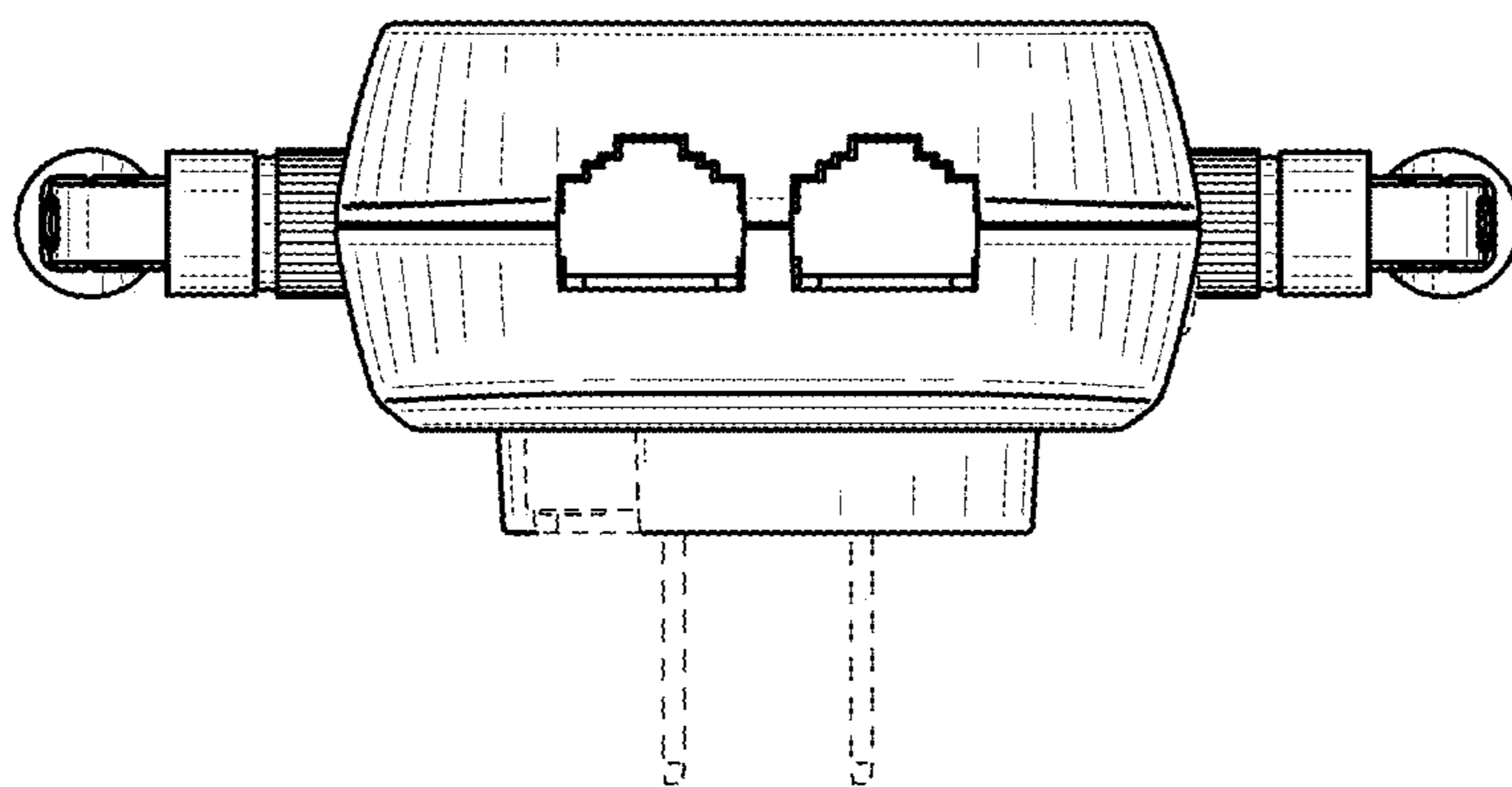


FIG. 32