



US00D905027S

(12) **United States Design Patent** (10) **Patent No.:** **US D905,027 S**
Chang et al. (45) **Date of Patent:** **** Dec. 15, 2020**

(54) **HUB**
(71) Applicant: **HTC Corporation**, Taoyuan (TW)
(72) Inventors: **Wei-Hsin Chang**, Taoyuan (TW);
Hung-Yu Chen, Taoyuan (TW);
Meng-Sheng Chiang, Taoyuan (TW)
(73) Assignee: **HTC CORPORATION**, Taoyuan (TW)
(**) Term: **15 Years**
(21) Appl. No.: **29/686,334**
(22) Filed: **Apr. 3, 2019**
(51) **LOC (12) Cl.** **14-03**
(52) **U.S. Cl.**
USPC **D14/240; D14/358**
(58) **Field of Classification Search**
USPC ... D14/140.1, 240, 242, 358, 125, 129, 130,
D14/140, 142, 155, 167, 168, 172, 188,
D14/195, 299, 496, 348, 351, 356, 357,
D14/197, 198, 230, 214; D10/104.1,
D10/106.1, 106.6, 116.1, 61, 64, 75,
D10/106.9, 25; D13/110, 123, 152, 158,
D13/162, 162.1, 163, 168, 184, 199, 108
CPC ... H04W 88/08; H04W 88/085; H04W 88/00;
H04W 88/005; H04W 88/02; H04W
88/10; H04W 88/12; H04W 88/14; H04W
88/16; H04W 88/18; H04W 4/00; H01Q
1/02; H01Q 1/2291; H01Q 1/246; H01Q
1/42; H04B 1/38
See application file for complete search history.

(56) **References Cited**
U.S. PATENT DOCUMENTS
D319,434 S * 8/1991 Lund D14/341
D460,443 S * 7/2002 Brunner D14/240
D610,133 S * 2/2010 Asano D14/240
D612,503 S * 3/2010 Johnston D24/186
D638,425 S * 5/2011 Ikeda D14/358
D638,426 S * 5/2011 Ikeda D14/358

(Continued)

OTHER PUBLICATIONS

Gateways and Hubs and transceivers and router. (Design—© Questel) orbit.com. [online PDF] 24 pgs. Print Dates Range Sep. 14, 2012 through Dec. 22, 2019. [retrieved Sep. 2020] https://www.orbit.com/export/QPTUJ214/pdf2/38a06a5c-6cf7-4f51-8763-c390f7e515fb-214143.pdf.*

(Continued)

Primary Examiner — Marie D. Fast Horse
(74) *Attorney, Agent, or Firm* — Birch, Stewart, Kolasch & Birch, LLP

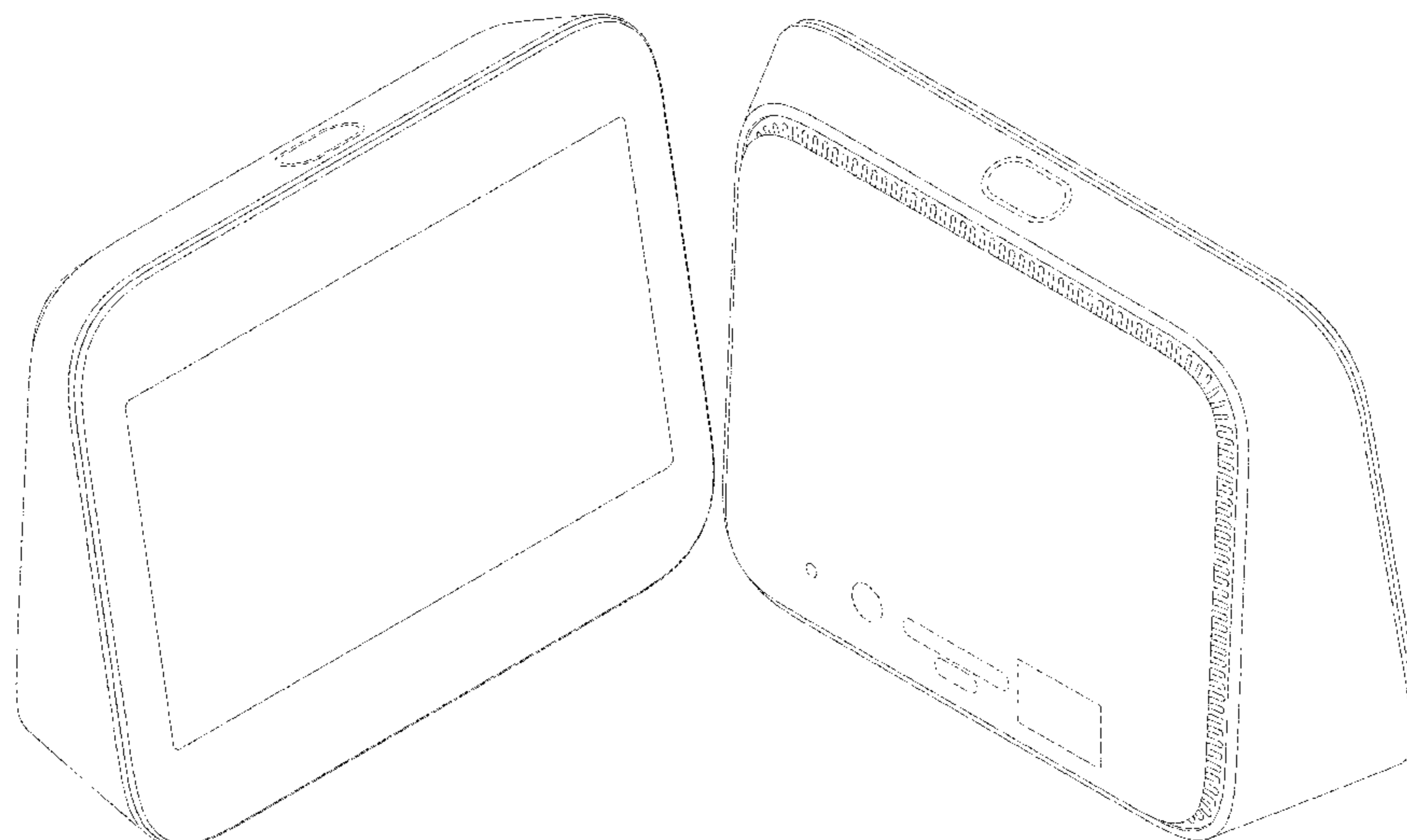
(57) **CLAIM**

The ornamental design for a hub, as shown and described.

DESCRIPTION

FIG. 1 is a front perspective view of a first embodiment of a hub in accordance with our new design;
FIG. 2 is a front view thereof;
FIG. 3 is a rear view thereof;
FIG. 4 is a left side view thereof;
FIG. 5 is a right side view thereof;
FIG. 6 is a top plan view thereof;
FIG. 7 is a bottom plan view thereof;
FIG. 8 is a rear perspective view thereof;
FIG. 9 is a front perspective view of a second embodiment of a hub in accordance with our new design;
FIG. 10 is a front view thereof;
FIG. 11 is a rear view thereof;
FIG. 12 is a left side view thereof;
FIG. 13 is a right side view thereof;
FIG. 14 is a top plan view thereof;
FIG. 15 is a bottom plan view thereof; and,
FIG. 16 is a rear perspective view thereof.
The broken lines depict perforated portions of the hub that form no part of the claimed design.

1 Claim, 16 Drawing Sheets



(56)

References Cited

U.S. PATENT DOCUMENTS

D640,692 S * 6/2011 Waisman-Diamond D14/358
 D673,952 S * 1/2013 Toda D14/383
 D685,355 S * 7/2013 Holleman D14/240
 D687,817 S * 8/2013 Petersen D14/240
 D691,096 S * 10/2013 Beroukas D13/162
 D703,311 S * 4/2014 Daly D24/110
 D705,746 S * 5/2014 Lin D14/125
 D707,666 S * 6/2014 Ting D14/240
 D711,359 S * 8/2014 Marzynski D14/240
 D727,180 S * 4/2015 Lai D10/50
 D740,262 S * 10/2015 Hasegawa D14/240
 D743,035 S * 11/2015 Uozumi D24/165
 D748,271 S * 1/2016 Clowry D24/186
 D753,639 S * 4/2016 Marzynski D14/240
 D756,991 S * 5/2016 Day D14/314
 D765,066 S * 8/2016 Cowles D14/240
 D784,270 S * 4/2017 Bhattacharya D13/162
 D784,939 S * 4/2017 Luo D14/125
 D784,971 S * 4/2017 Naslund D14/242
 D785,608 S * 5/2017 Weaver D14/240
 D789,362 S * 6/2017 Eljas D14/366
 D794,019 S * 8/2017 Kusano D14/358
 D798,861 S * 10/2017 Wieser D14/358
 D809,493 S * 2/2018 Konotopskyi D14/242
 D813,212 S * 3/2018 Nangeroni D14/240
 D814,463 S * 4/2018 Haigh D14/358
 D815,626 S * 4/2018 Clover D14/242
 D816,070 S * 4/2018 Marzynski D14/240
 D820,244 S * 6/2018 Cowles D14/239
 D828,342 S * 9/2018 Chen D14/240
 D829,198 S * 9/2018 Cho D14/240
 D831,646 S * 10/2018 Kusano D14/358
 D832,838 S * 11/2018 Monroe D14/240
 D836,643 S * 12/2018 Cadogan D14/440
 D840,251 S * 2/2019 Choi D10/52
 D842,829 S * 3/2019 Wang D14/125

D844,593 S * 4/2019 Bould D14/240
 D850,430 S * 6/2019 Wu D14/240
 D852,190 S * 6/2019 Haigh D14/358
 D853,382 S * 7/2019 Haigh D14/358
 D863,244 S * 10/2019 Newton D14/240
 D863,294 S * 10/2019 Haaksma D14/341
 D867,315 S * 11/2019 Newton D14/138 R
 D867,316 S * 11/2019 Newton D14/138 R
 D869,463 S * 12/2019 Gagne-Keats D14/358
 D879,150 S * 3/2020 Kusano D14/496
 D883,970 S * 5/2020 Wang D14/242
 D888,686 S * 6/2020 Cheng D14/214
 D892,777 S * 8/2020 Nguyen D14/240

OTHER PUBLICATIONS

Be Right on Time with AcuRite: Atomic Clock with Dual Alarm, USB Charging and Temperature, published in 2015, 14 pages, <https://bullocksbuzz.com/be-right-on-time-with-acurite-atomic-clock-with-dual-alarm-usb-charging-and-temperature/>.
 China Mobile Announces the First Ever 5G Smart Hub, published on Dec. 6, 2018, 11 pgs, <https://www.gizchina.com/2018/12/06/china-mobile-announces-the-first-ever-5g-smart-hub/>.
 Echo Show (2nd Gen)—Premium sound and a vibrant 10.1" HD screen—Charcoal, published in 2018, 8 pgs, <https://www.amazon.com/All-new-Echo-Show-2nd-Gen/dp/B077SXWSRP>.
 HTC Unveils Innovative New 5G Mobile Smart Hub, published on Feb. 25, 2019, 3 pages, <https://www.htc.com/us/newsroom/2019-02-25/>.
 Sony Dash, published on Apr. 30, 2010, 8 pgs, <http://www.mobiletechreview.com/gadgets/Sony-Dash.htm>.
 Tmall Genie CC / Smart speaker, published in 2019, 4 pgs, <https://ifworlddesignguide.com/entry/259167-tmall-genie-cc>.
 Xiaomi made its own version of the Google Home Hub (Xiaomi Touchscreen Speaker Box), published on Feb. 2019, 11 pages, <https://www.engadget.com/2019/02/20/xiaomi-smart-hub/>.

* cited by examiner

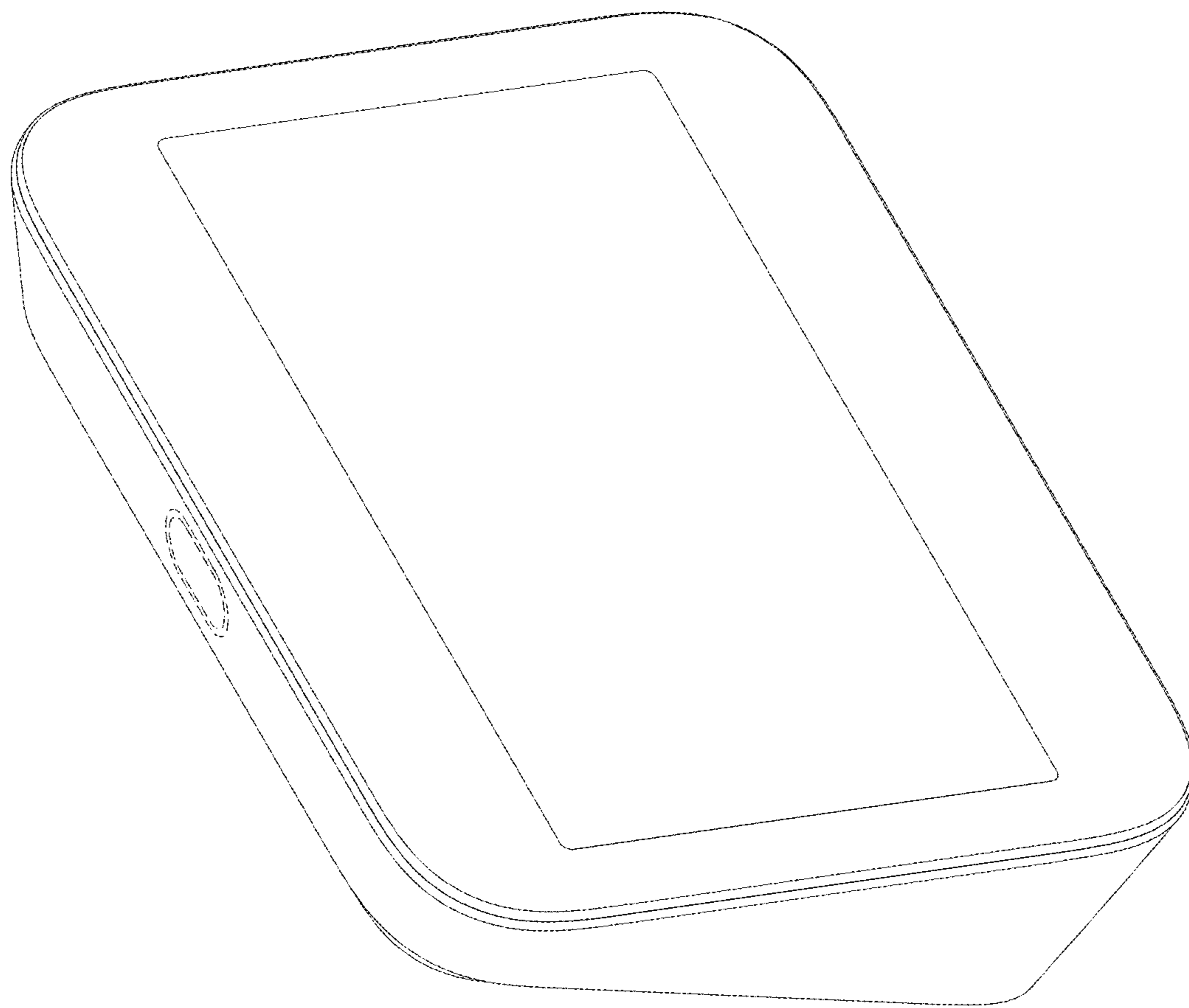


FIG. 1

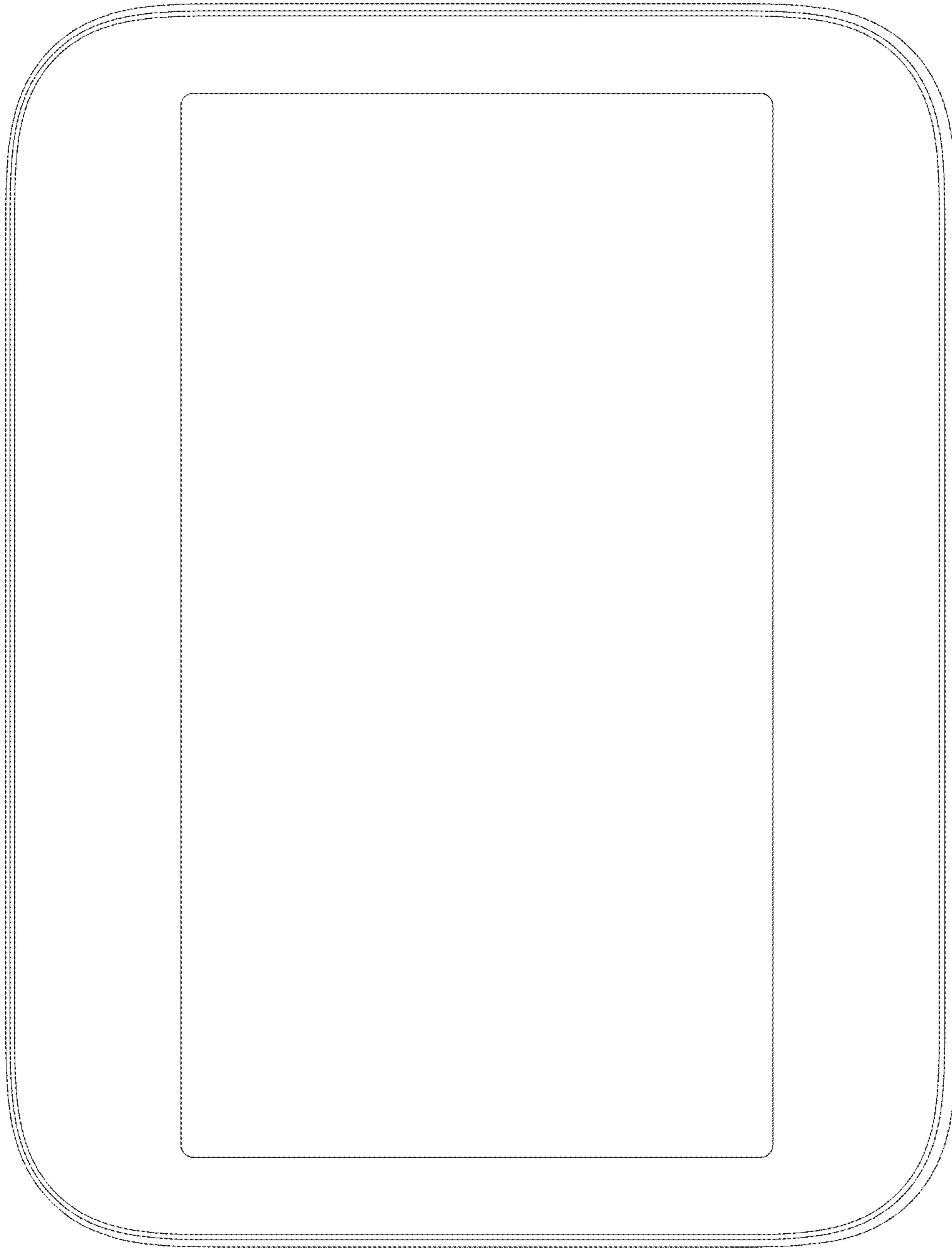


FIG. 2

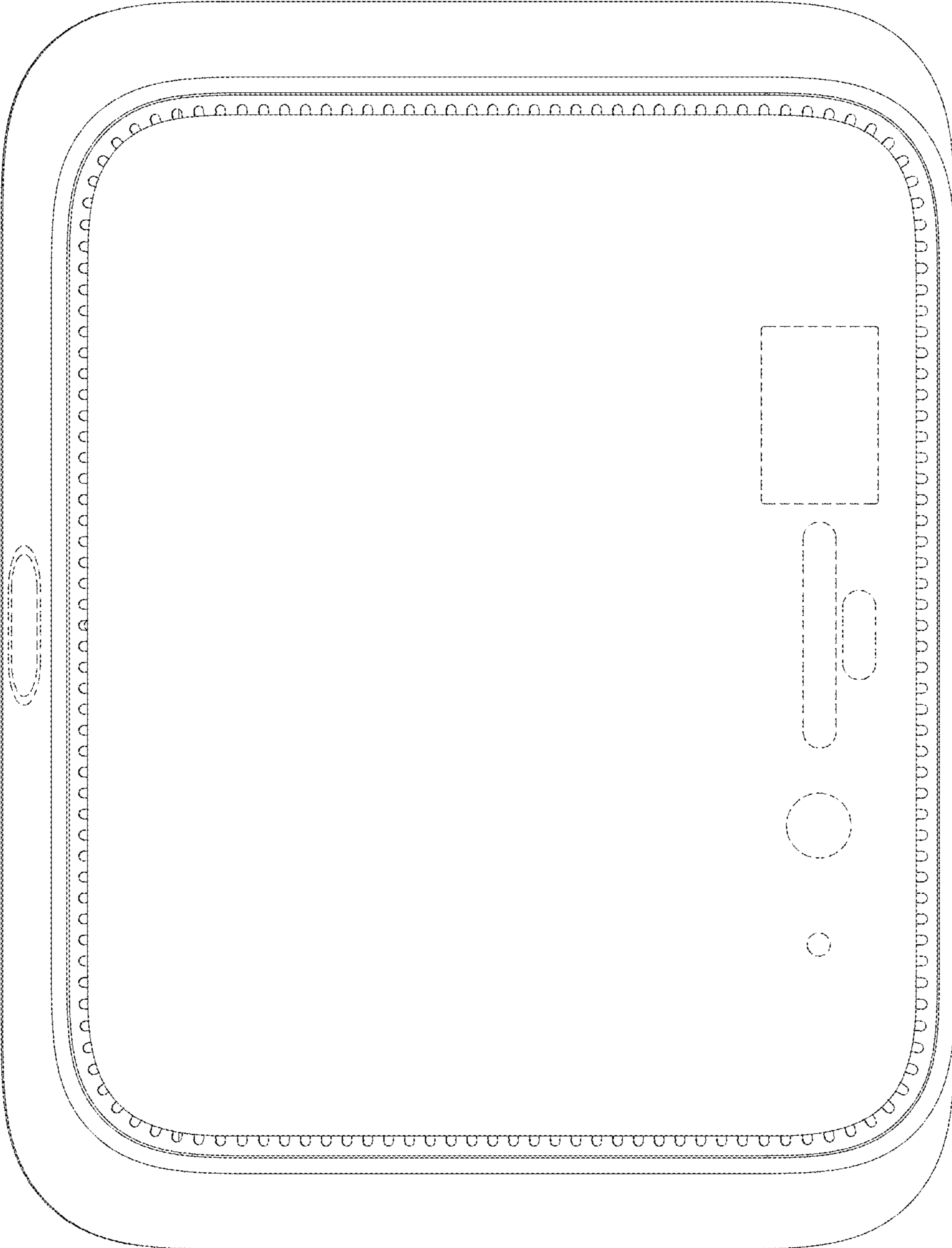


FIG. 3

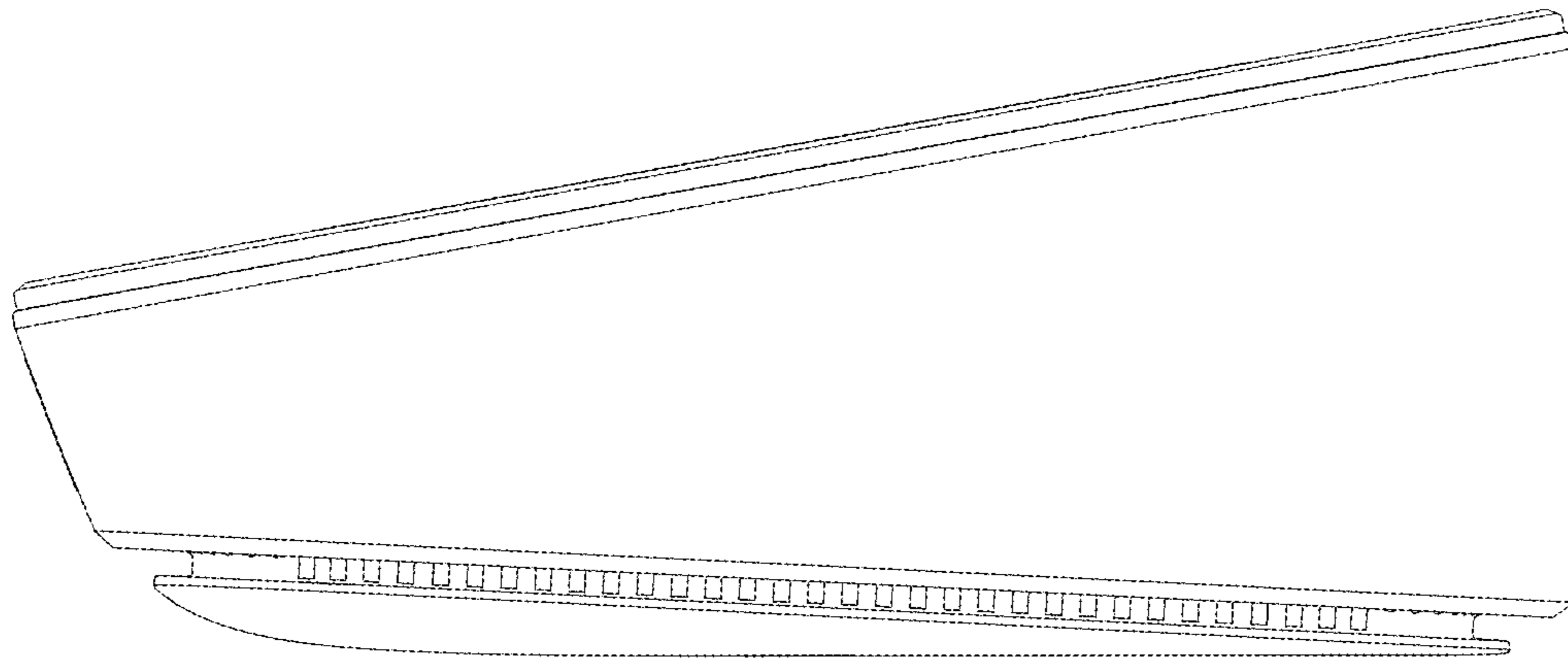


FIG. 4

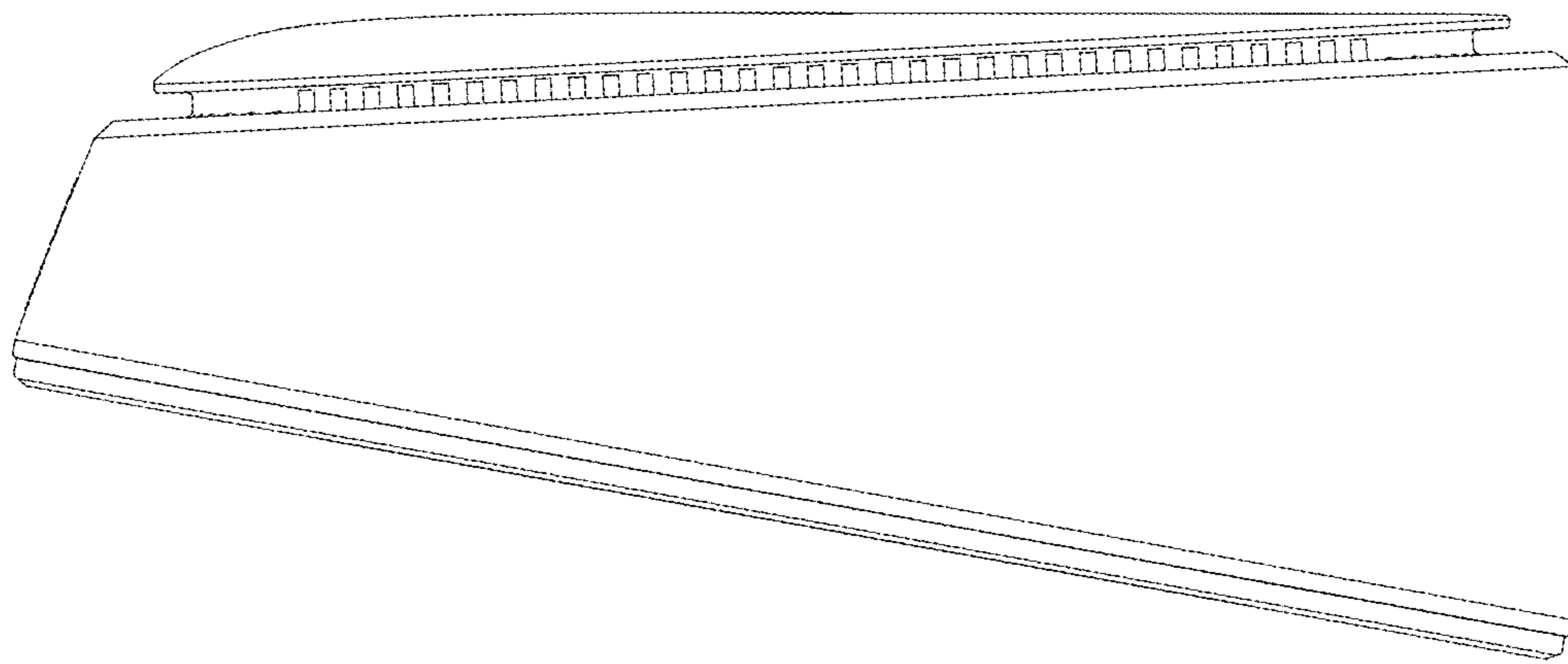


FIG. 5

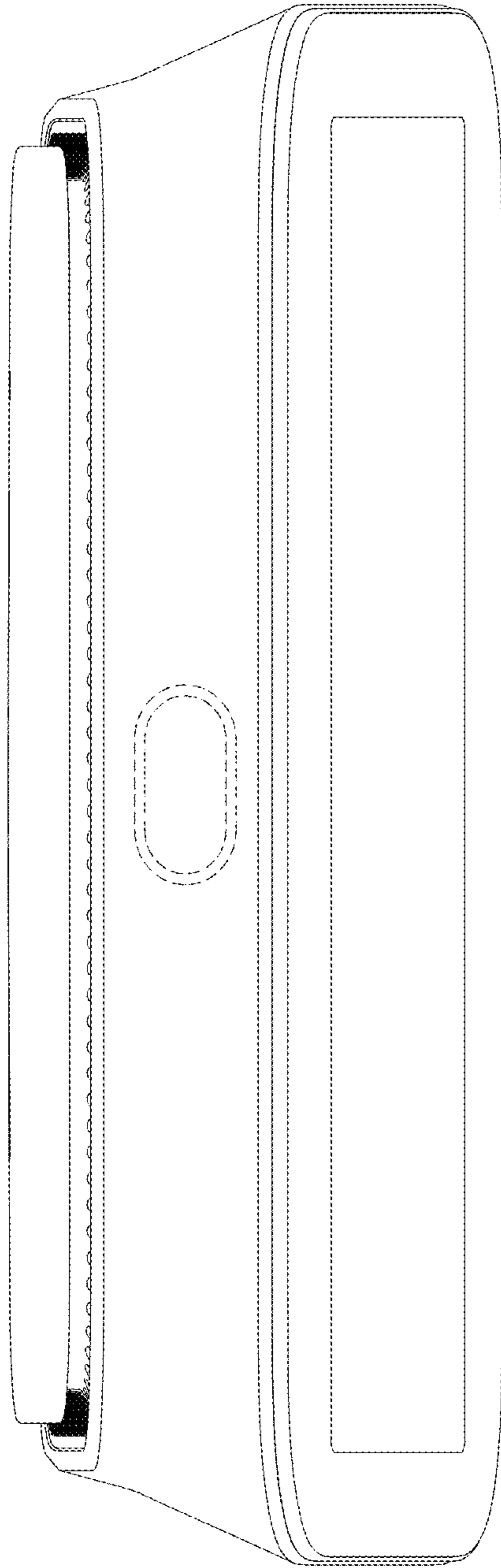


FIG. 6

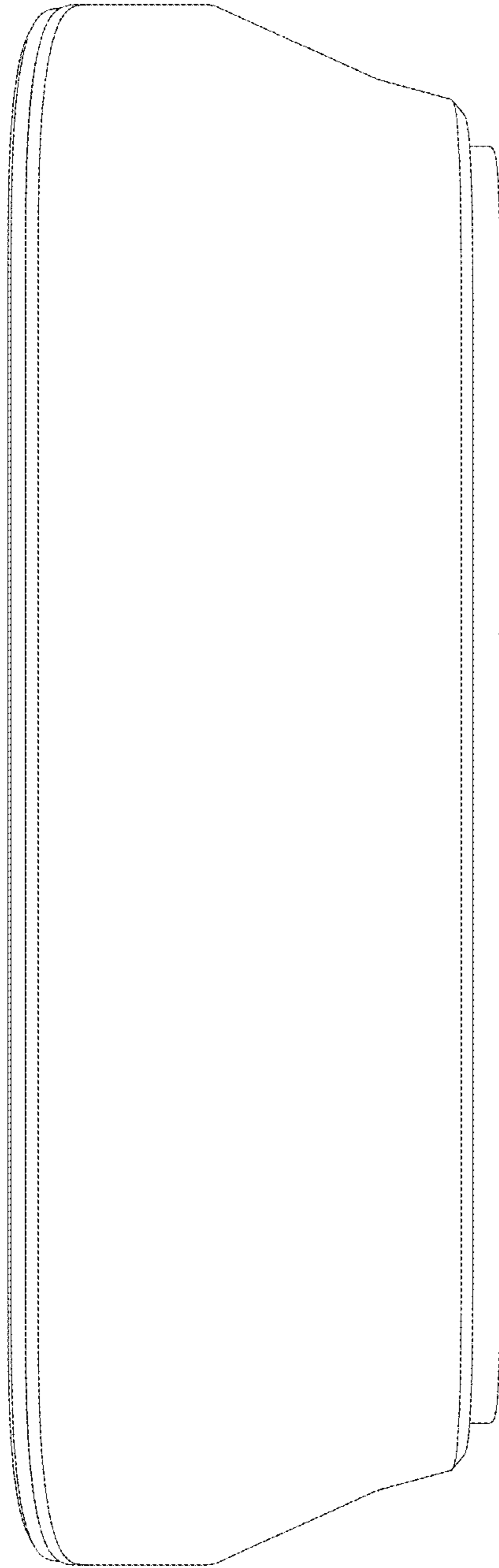


FIG. 7

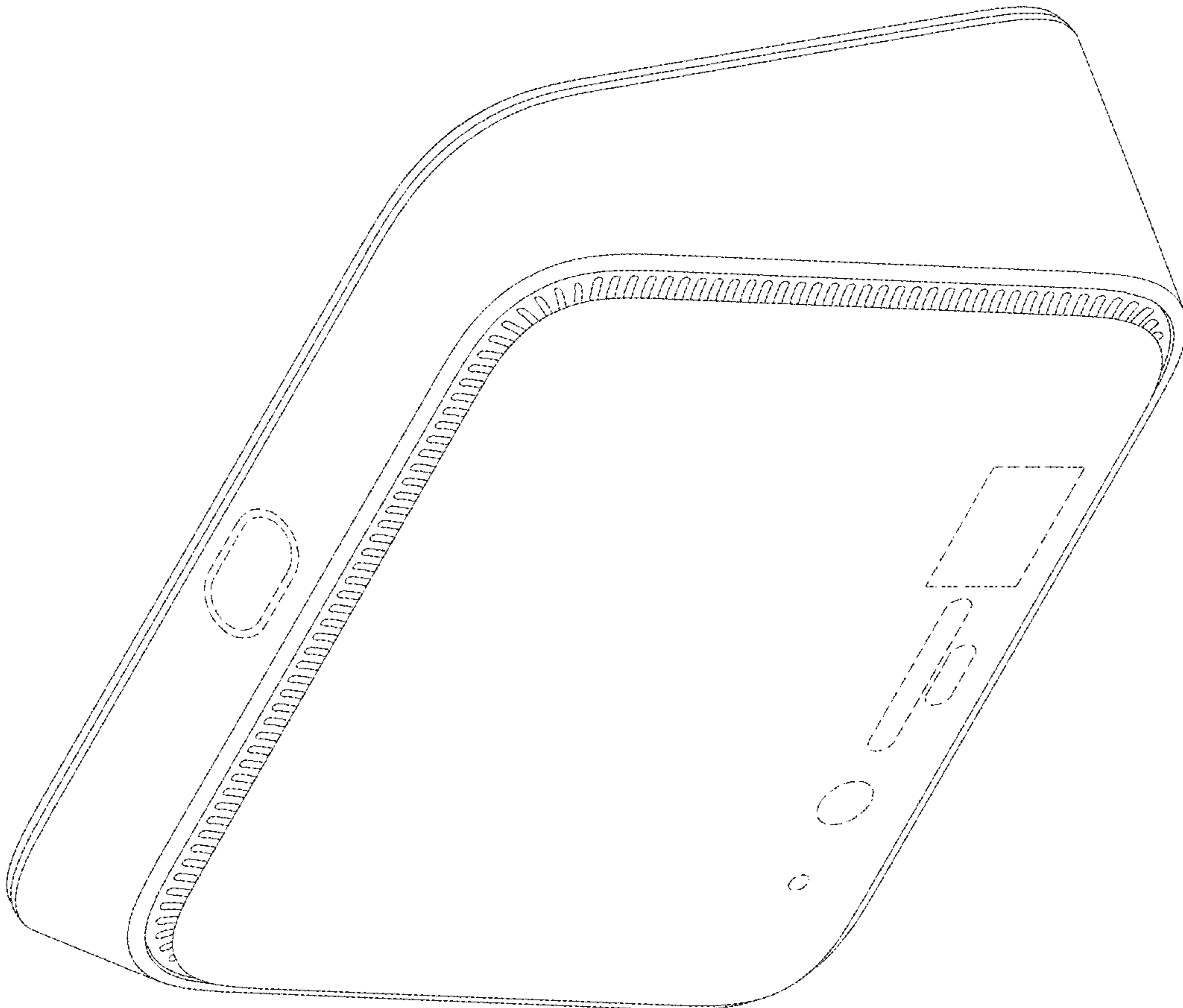


FIG. 8

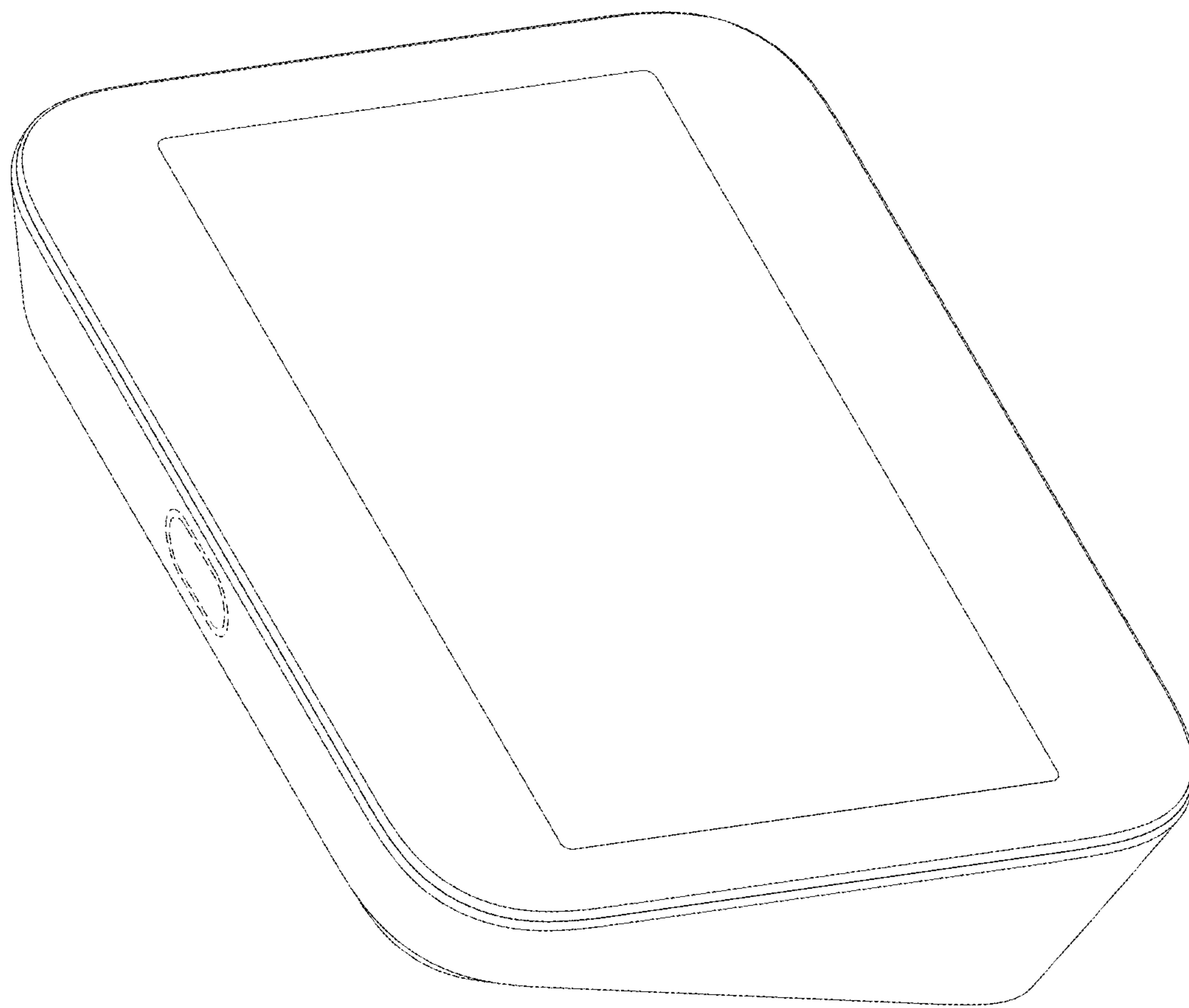


FIG. 9

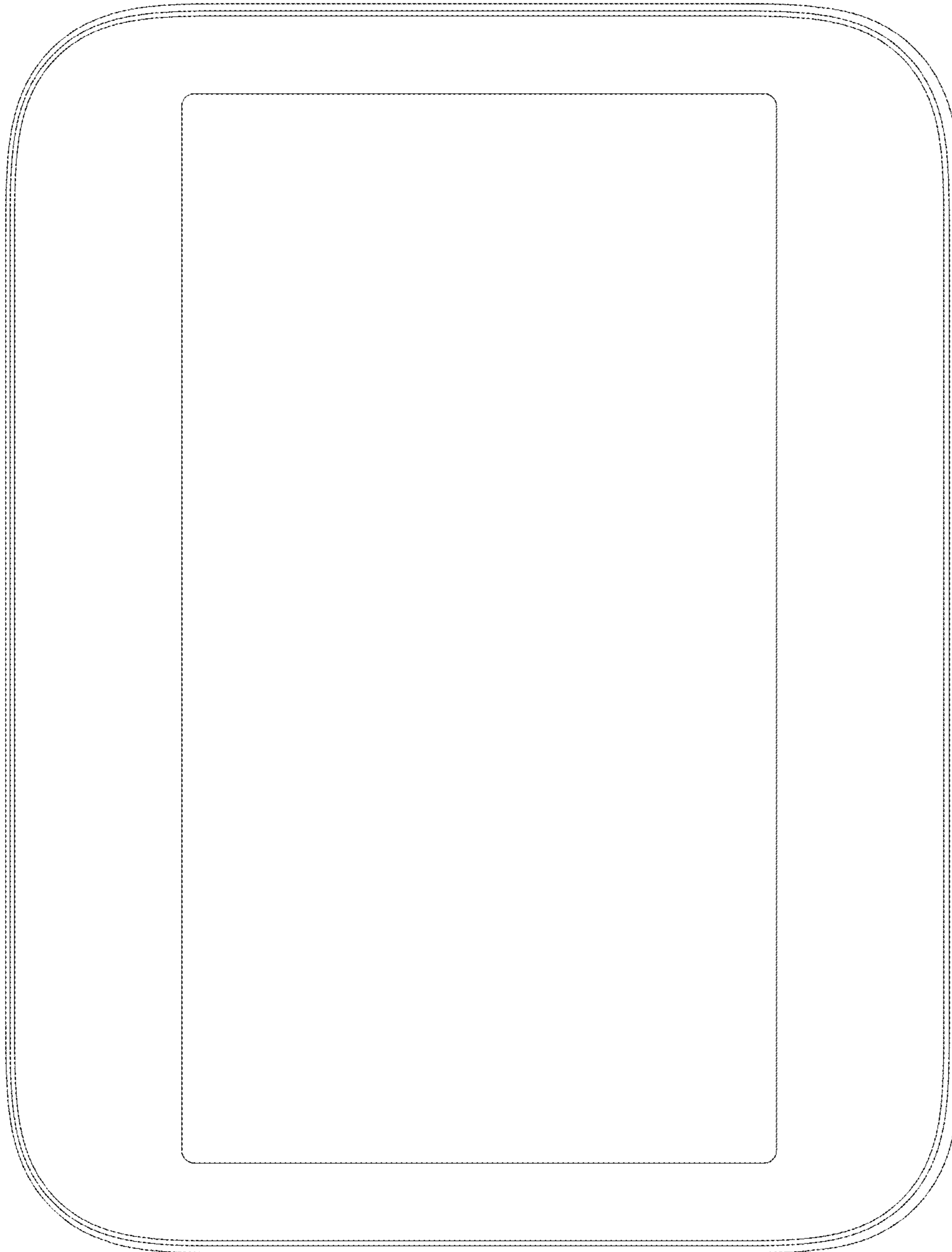


FIG. 10

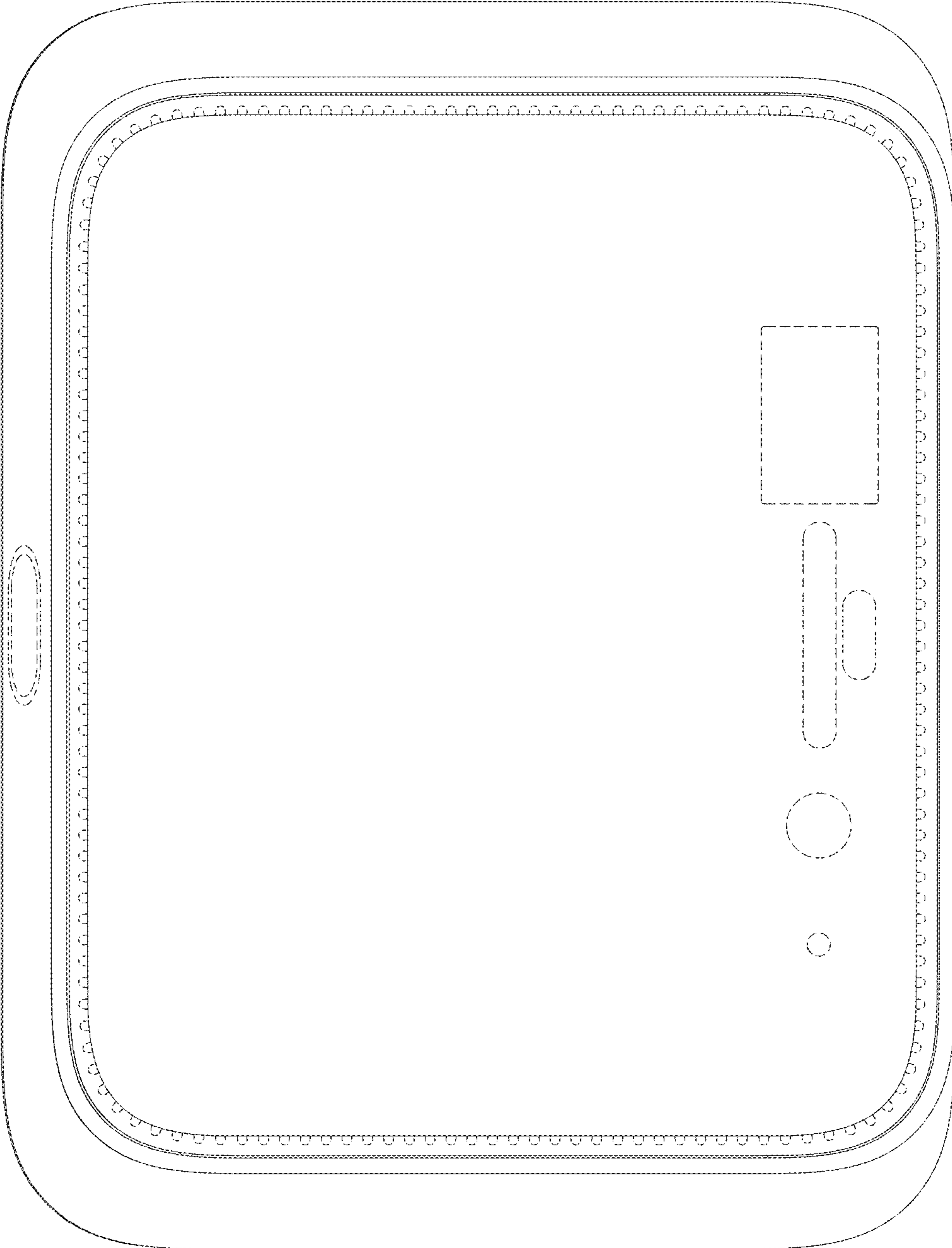


FIG. 11

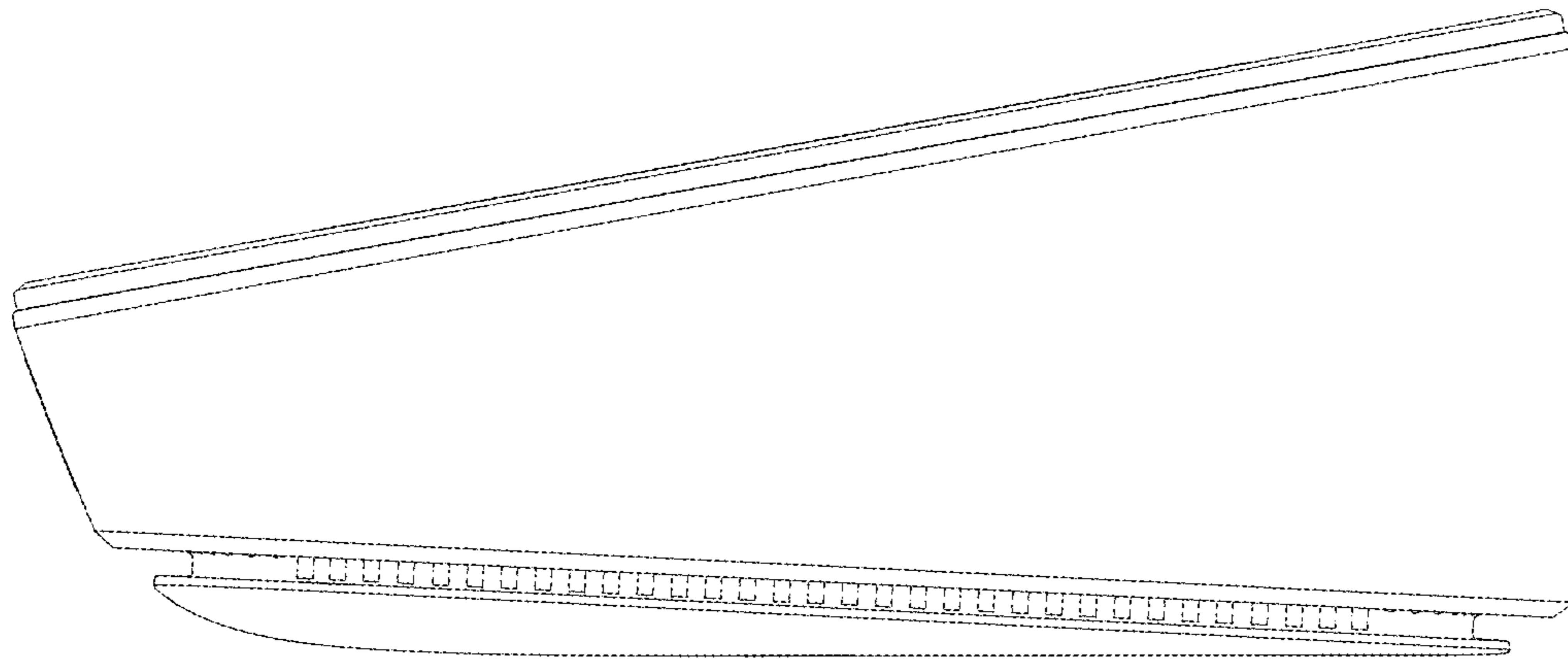


FIG. 12

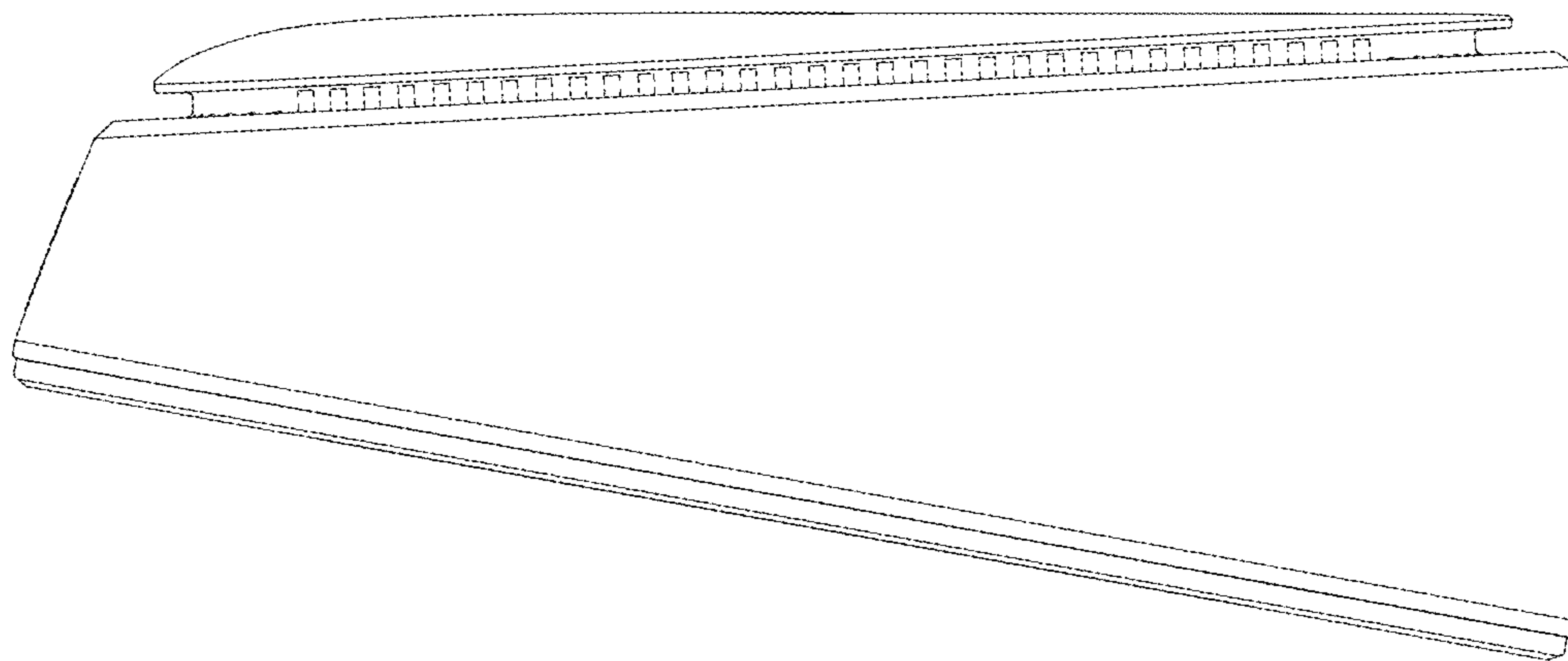


FIG. 13

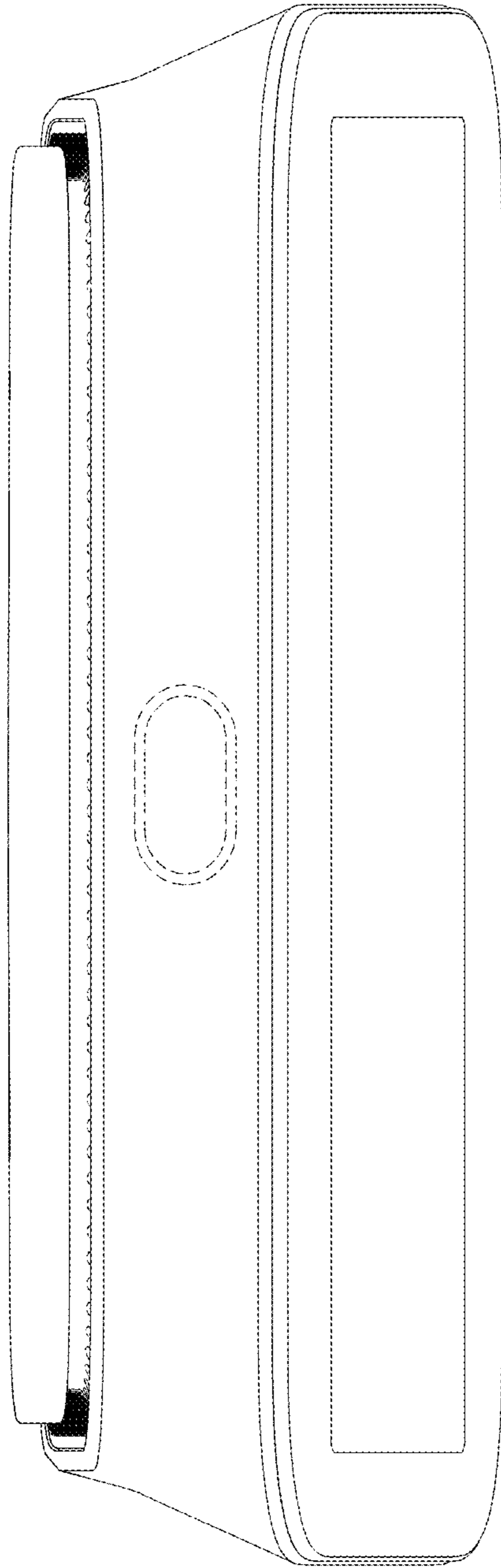


FIG. 14

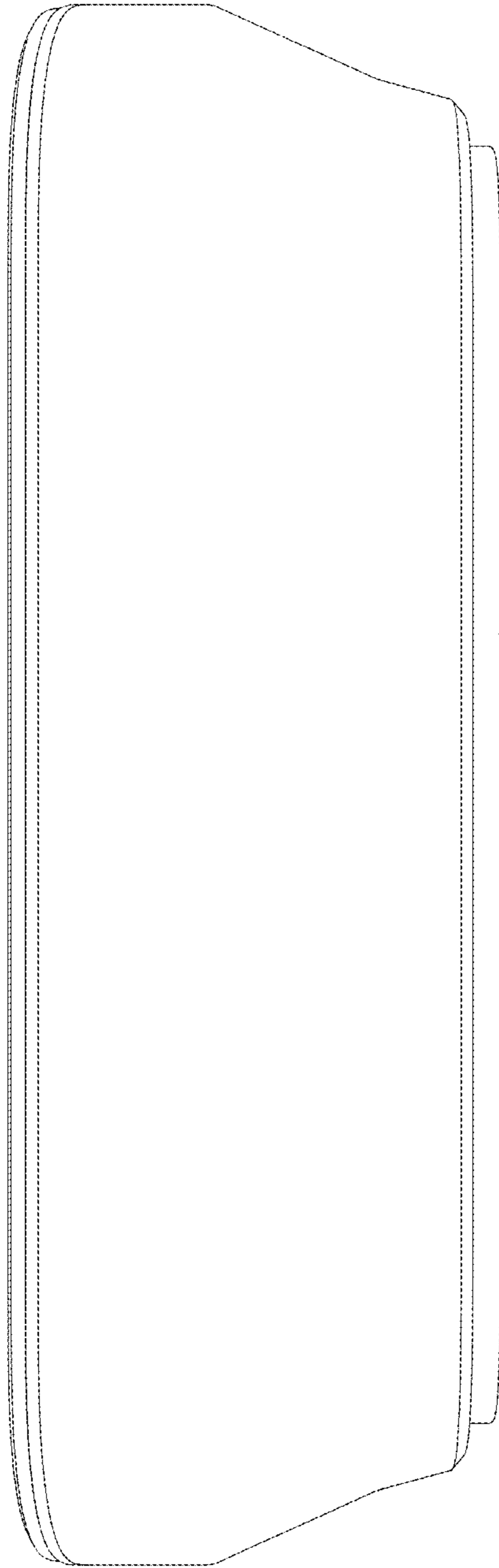


FIG. 15

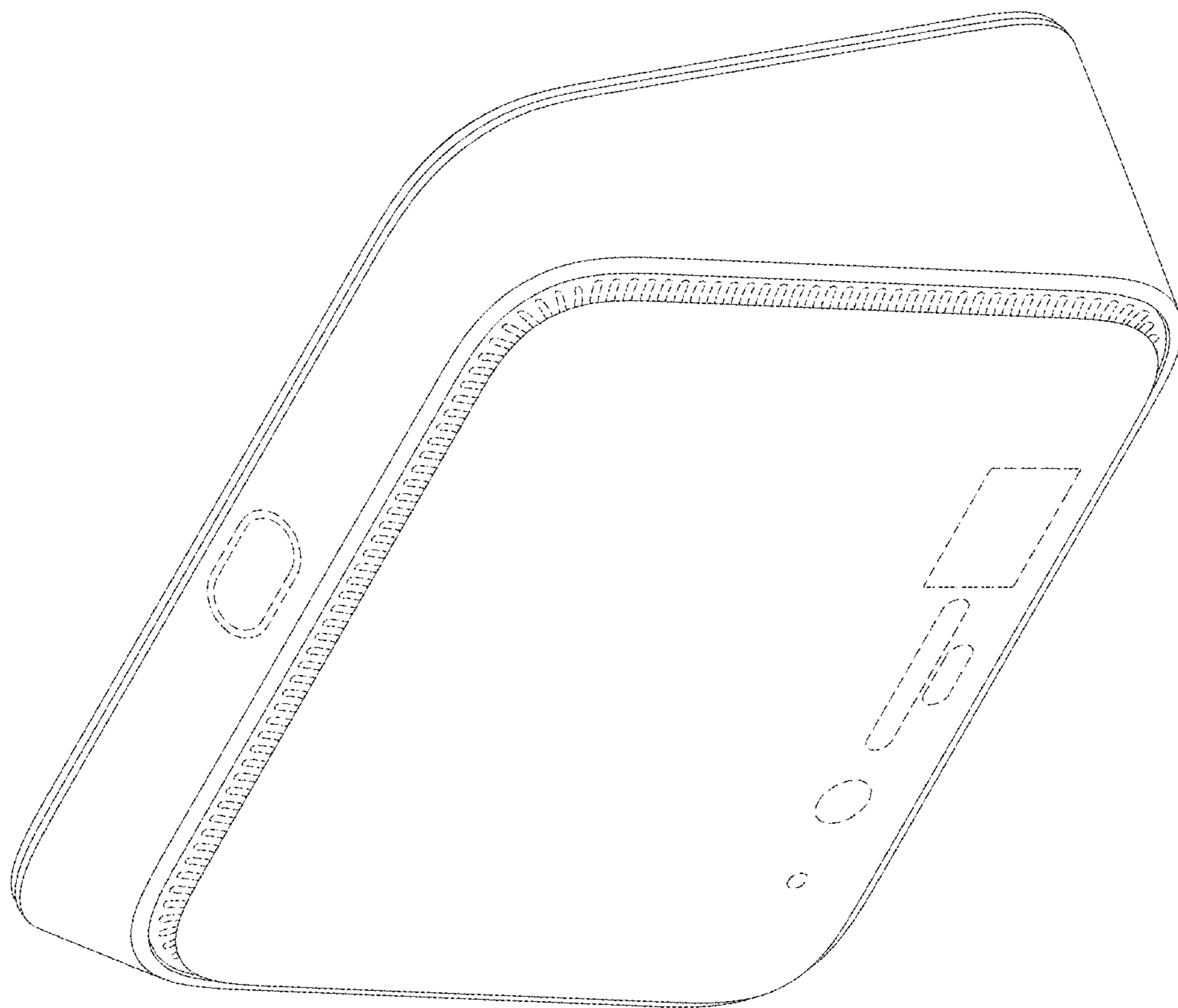


FIG. 16