



US00D905024S

(12) **United States Design Patent** (10) **Patent No.:** **US D905,024 S**  
**Cueto et al.** (45) **Date of Patent:** **\*\* Dec. 15, 2020**

(54) **GATEWAY**

(71) Applicant: **Comcast Cable Communications, LLC**, Philadelphia, PA (US)

(72) Inventors: **Osman Cueto**, Lansdale, PA (US);  
**Sean McGinnis**, Philadelphia, PA (US);  
**Michael Jou**, Philadelphia, PA (US)

(73) Assignee: **Comcast Cable Communications, LLC**, Philadelphia, PA (US)

(\*\*) Term: **15 Years**

(21) Appl. No.: **29/682,958**

(22) Filed: **Mar. 8, 2019**

**Related U.S. Application Data**

(63) Continuation of application No. 29/672,168, filed on Dec. 3, 2018.

(51) **LOC (12) Cl.** ..... **14-03**

(52) **U.S. Cl.**  
USPC ..... **D14/240; D14/358**

(58) **Field of Classification Search**  
USPC ..... D14/240, 242, 243, 299, 125, 155, 168,  
D14/175, 356, 357, 358, 432, 433, 496,  
(Continued)

(56) **References Cited**

**U.S. PATENT DOCUMENTS**

D223,096 S \* 3/1972 Gilson ..... D14/365

D223,833 S \* 6/1972 Dreyfuss ..... D14/140

(Continued)

*Primary Examiner* — Marie D. Fast Horse

(74) *Attorney, Agent, or Firm* — Banner & Witcoff, Ltd.

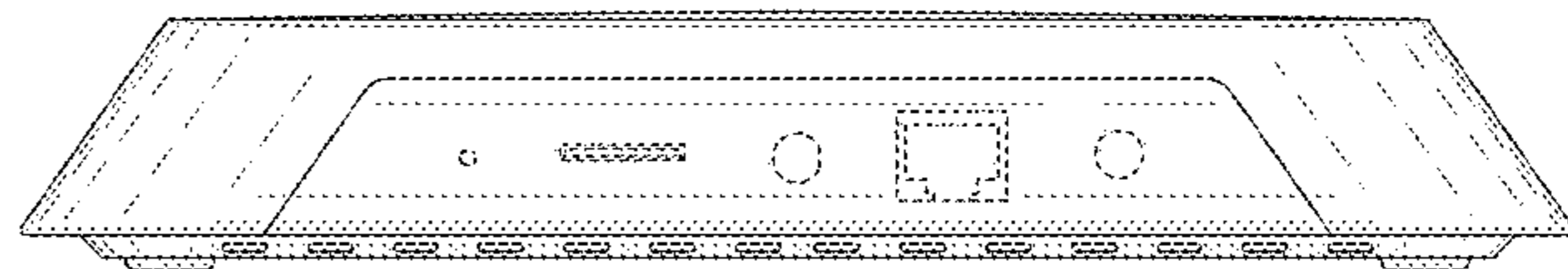
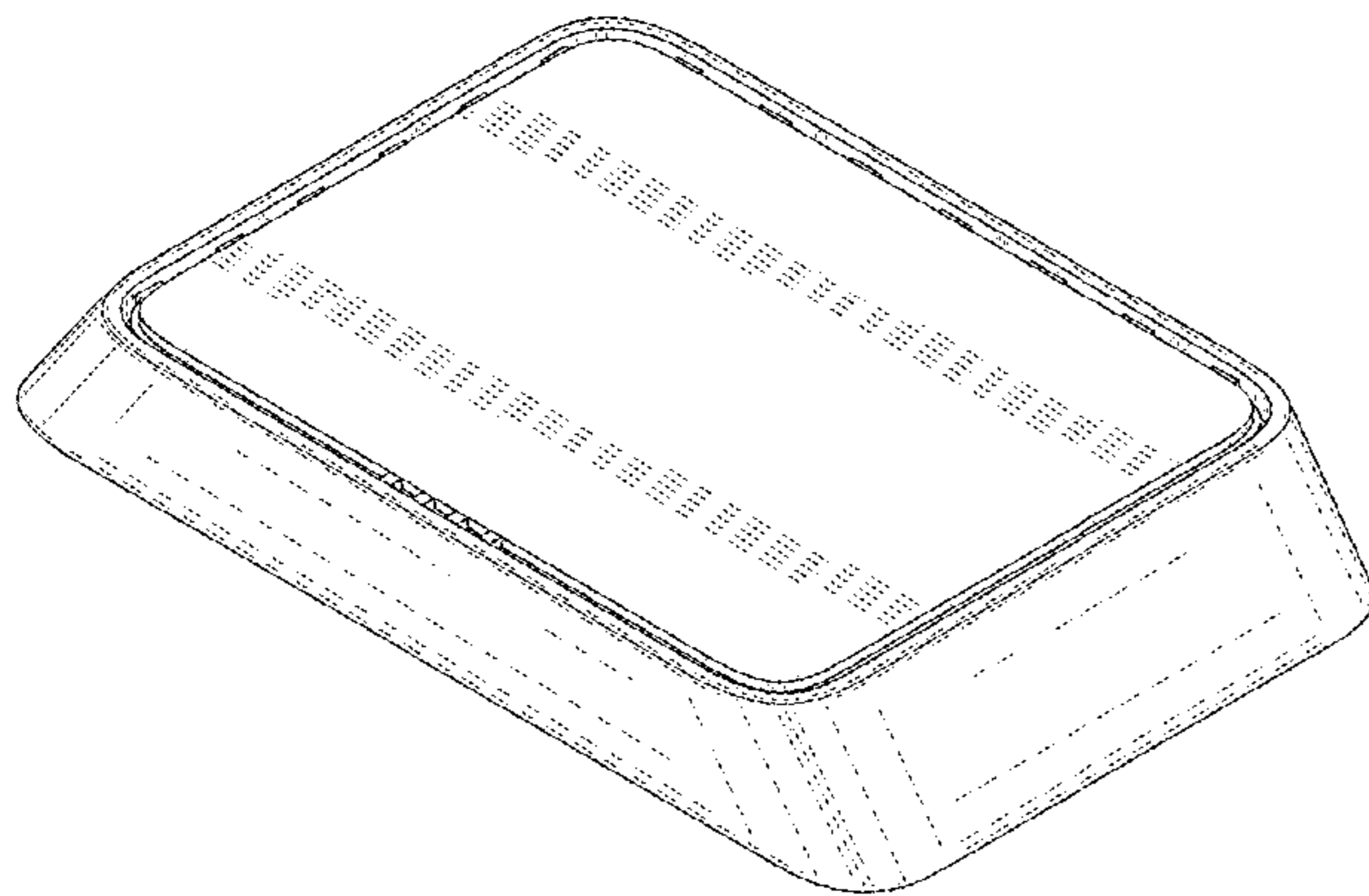
(57) **CLAIM**

The ornamental design for a gateway, as shown and described.

**DESCRIPTION**

FIG. 1 is a top front perspective view of a gateway showing our new design in an unilluminated state;  
FIG. 2 is a top rear perspective view thereof;  
FIG. 3 is a bottom front perspective view thereof;  
FIG. 4 is a front view thereof;  
FIG. 5 is a rear view thereof;  
FIG. 6 is a left side view thereof;  
FIG. 7 is a right side view thereof;  
FIG. 8 is a top view thereof;  
FIG. 9 is a bottom view thereof;  
FIG. 10 is an end view taken through line 10-10 of FIG. 8;  
FIG. 11 is an end view taken through line 11-11 of FIG. 8;  
FIG. 12 is a top front perspective view of the gateway of FIGS. 1-11 shown in an illuminated state;  
FIG. 13 is a top rear perspective view thereof;  
FIG. 14 is a bottom front perspective view thereof;  
FIG. 15 is a front view thereof;  
FIG. 16 is a rear view thereof;  
FIG. 17 is a left side view thereof;  
FIG. 18 is a right side view thereof;  
FIG. 19 is a top view thereof;  
FIG. 20 is a bottom view thereof;  
FIG. 21 is an end view taken through line 21-21 of FIG. 19; and,  
FIG. 22 is an end view taken through line 22-22 of FIG. 19. The even-length broken lines depict portions of the gateway that form no part of the claimed design. The end views are provided merely to illustrate the appearance of the outer surface of the gateway, at specified positions, visible as the perimeter in the end views. The interior of the end views, marked by uneven-length broken lines, forms no part of the claimed design. The radiating lines emanating from the features in FIGS. 12, 13, and 19 represent illumination.

**1 Claim, 16 Drawing Sheets**



(58) **Field of Classification Search**

USPC ..... D14/217, 300, 301, 302, 314, 348, 355,  
 D14/365, 383, 384, 385; D13/158, 159,  
 D13/123, 124, 162, 162.1, 168, 173, 184,  
 D13/199; D10/104.1, 106.1, 106.9,  
 D10/106.95, 109.1, 121, 46, 75  
 CPC ... H04W 88/00; H04W 88/005; H04W 88/02;  
 H04W 88/08; H04W 88/12; H04W 88/16;  
 H04M 1/23; H04M 1/26; H04M 11/06;  
 H04M 13/00; H04L 2012/5618

See application file for complete search history.

(56) **References Cited**

U.S. PATENT DOCUMENTS

D235,749 S \* 7/1975 Sullivan ..... D10/121  
 D238,345 S \* 1/1976 Montalbano ..... D10/121  
 D261,118 S \* 10/1981 Perhacs, Jr. .... D10/116.1  
 D262,106 S \* 12/1981 Frassanito ..... D14/242  
 D301,331 S \* 5/1989 Rhodin ..... D13/107  
 D305,717 S \* 1/1990 Soren ..... D13/103  
 D306,583 S \* 3/1990 Krolopp ..... D13/184  
 D316,417 S \* 4/1991 Wall ..... D14/299  
 D317,942 S \* 7/1991 Fritz ..... D10/106.1  
 D335,866 S \* 5/1993 Powell ..... D13/152  
 D347,004 S \* 5/1994 Beaumont ..... D14/137  
 D348,471 S \* 7/1994 Matheny ..... D14/240  
 D368,429 S \* 4/1996 Serio, Jr. .... D13/184  
 D374,673 S \* 10/1996 Beaumont ..... D14/240  
 D409,619 S \* 5/1999 Shin ..... D14/217  
 D420,354 S \* 2/2000 Morales ..... D14/191  
 D431,230 S \* 9/2000 Began ..... D13/184  
 D442,922 S \* 5/2001 Sato ..... D13/152  
 D451,479 S \* 12/2001 Bateson ..... D13/152  
 D455,419 S \* 4/2002 Inoue ..... D14/230  
 D460,443 S \* 7/2002 Brunner ..... D14/240  
 D462,954 S \* 9/2002 Chen ..... D14/299  
 D493,447 S \* 7/2004 Noro ..... D14/230  
 D513,240 S \* 12/2005 Uehara ..... D14/125  
 D521,001 S \* 5/2006 Xiao ..... D14/356  
 D526,648 S \* 8/2006 Andre ..... D14/314  
 D529,904 S \* 10/2006 Yeo ..... D14/240  
 D530,314 S \* 10/2006 Hsu ..... D14/240  
 D541,272 S \* 4/2007 Wang ..... D14/356  
 D556,199 S \* 11/2007 Song ..... D14/357  
 D563,334 S \* 3/2008 Wang ..... D14/125  
 D565,036 S \* 3/2008 Ju ..... D14/240  
 D566,657 S \* 4/2008 Shen ..... D13/152  
 D566,685 S \* 4/2008 Koller ..... D14/168  
 D568,312 S \* 5/2008 Wang ..... D14/356  
 D574,360 S \* 8/2008 Matsuoka ..... D14/168  
 D580,920 S \* 11/2008 Wikel ..... D14/240  
 D592,187 S \* 5/2009 Ledbetter ..... D14/217  
 D599,751 S \* 9/2009 Zhang ..... D14/125  
 D602,925 S \* 10/2009 Rouger ..... D14/247  
 D606,034 S \* 12/2009 Suzuki ..... D14/125  
 D619,547 S \* 7/2010 Reddering ..... D13/173  
 D629,764 S \* 12/2010 de Swarte ..... D13/168  
 D635,533 S \* 4/2011 Cho ..... D14/125  
 D642,625 S \* 8/2011 Assa ..... D21/329  
 D646,241 S \* 10/2011 Daniel ..... D14/125  
 D647,902 S \* 11/2011 Kihl ..... D14/365  
 D653,662 S \* 2/2012 Park ..... D14/240

D662,480 S \* 6/2012 Daniel ..... D14/125  
 D662,904 S \* 7/2012 Wu ..... D14/125  
 D669,059 S \* 10/2012 Huang ..... D14/240  
 D673,935 S \* 1/2013 Lee ..... D14/240  
 D682,266 S \* 5/2013 Wu ..... D14/358  
 D685,752 S \* 7/2013 Kimura ..... D14/125  
 D692,378 S \* 10/2013 Esses ..... D13/110  
 D694,234 S \* 11/2013 McParland ..... D14/365  
 D702,239 S \* 4/2014 Lee ..... D14/432  
 D702,259 S \* 4/2014 Onoue ..... D14/498  
 D703,156 S \* 4/2014 Parsons ..... D13/164  
 D714,753 S \* 10/2014 Lee ..... D14/140  
 D723,504 S \* 3/2015 Reimer ..... D14/155  
 D726,295 S \* 4/2015 Kim ..... D23/351  
 D729,163 S \* 5/2015 Meyer ..... D13/123  
 D730,311 S \* 5/2015 Reimer ..... D14/155  
 D730,351 S \* 5/2015 Lee ..... D14/358  
 D737,152 S \* 8/2015 Chang ..... D10/46  
 D737,786 S \* 9/2015 Loretan ..... D14/125  
 D739,833 S \* 9/2015 Hanazeder ..... D13/184  
 D741,285 S \* 10/2015 Boynton ..... D14/240  
 D741,833 S \* 10/2015 Reimer ..... D14/155  
 D745,479 S \* 12/2015 McManigal ..... D14/125  
 D745,480 S \* 12/2015 Mathews ..... D14/125  
 D746,252 S \* 12/2015 Reimer ..... D14/155  
 D746,290 S \* 12/2015 Spinella ..... D14/433  
 D747,356 S \* 1/2016 Jou ..... D14/496  
 D752,529 S \* 3/2016 Loretan ..... D14/125  
 D753,639 S \* 4/2016 Marzynski ..... D14/240  
 D754,627 S \* 4/2016 Fustino ..... D14/188  
 D756,338 S \* 5/2016 Jou ..... D14/242  
 D756,976 S \* 5/2016 Jou ..... D14/242  
 D765,140 S \* 8/2016 Peng ..... D14/496  
 D766,241 S \* 9/2016 Maletz ..... D14/399  
 D771,024 S \* 11/2016 Epstein ..... D14/242  
 D777,695 S \* 1/2017 Odryna ..... D14/125  
 D784,971 S \* 4/2017 Naslund ..... D14/242  
 D794,020 S \* 8/2017 Homza ..... D14/358  
 D803,705 S \* 11/2017 Read ..... D10/50  
 D805,941 S \* 12/2017 Jou ..... D10/106.6  
 D809,520 S \* 2/2018 Jou ..... D14/455  
 D810,709 S \* 2/2018 Jou ..... D14/125  
 D813,230 S \* 3/2018 Koo ..... D14/358  
 D813,868 S \* 3/2018 Jou ..... D14/390  
 D816,624 S \* 5/2018 Odryna ..... D14/125  
 D820,695 S \* 6/2018 Jou ..... D10/52  
 D829,768 S \* 10/2018 Lippitt ..... D14/496  
 D831,013 S \* 10/2018 Jou ..... D14/242  
 D834,437 S \* 11/2018 Zhang ..... D10/106.95  
 D834,979 S \* 12/2018 Zhang ..... D10/106.95  
 D835,049 S \* 12/2018 Wilcox ..... D13/152  
 D836,092 S \* 12/2018 Erbacher ..... D14/242  
 D836,093 S \* 12/2018 Burgess ..... D14/242  
 D850,386 S \* 6/2019 Otzelberger ..... D13/152  
 D853,400 S \* 7/2019 Baldree ..... H04W 4/029  
 D866,551 S \* 11/2019 Choi ..... D14/440  
 D872,039 S \* 1/2020 Maletz ..... D14/125  
 D873,254 S \* 1/2020 Homza ..... D14/242  
 D874,965 S \* 2/2020 Siminoff ..... D10/121  
 D874,966 S \* 2/2020 Siminoff ..... D10/121  
 D884,618 S \* 5/2020 Vahle ..... D13/108  
 D889,449 S \* 7/2020 Abellera ..... D14/242  
 2019/0344123 A1 \* 11/2019 Rubin ..... A63B 21/0054

\* cited by examiner

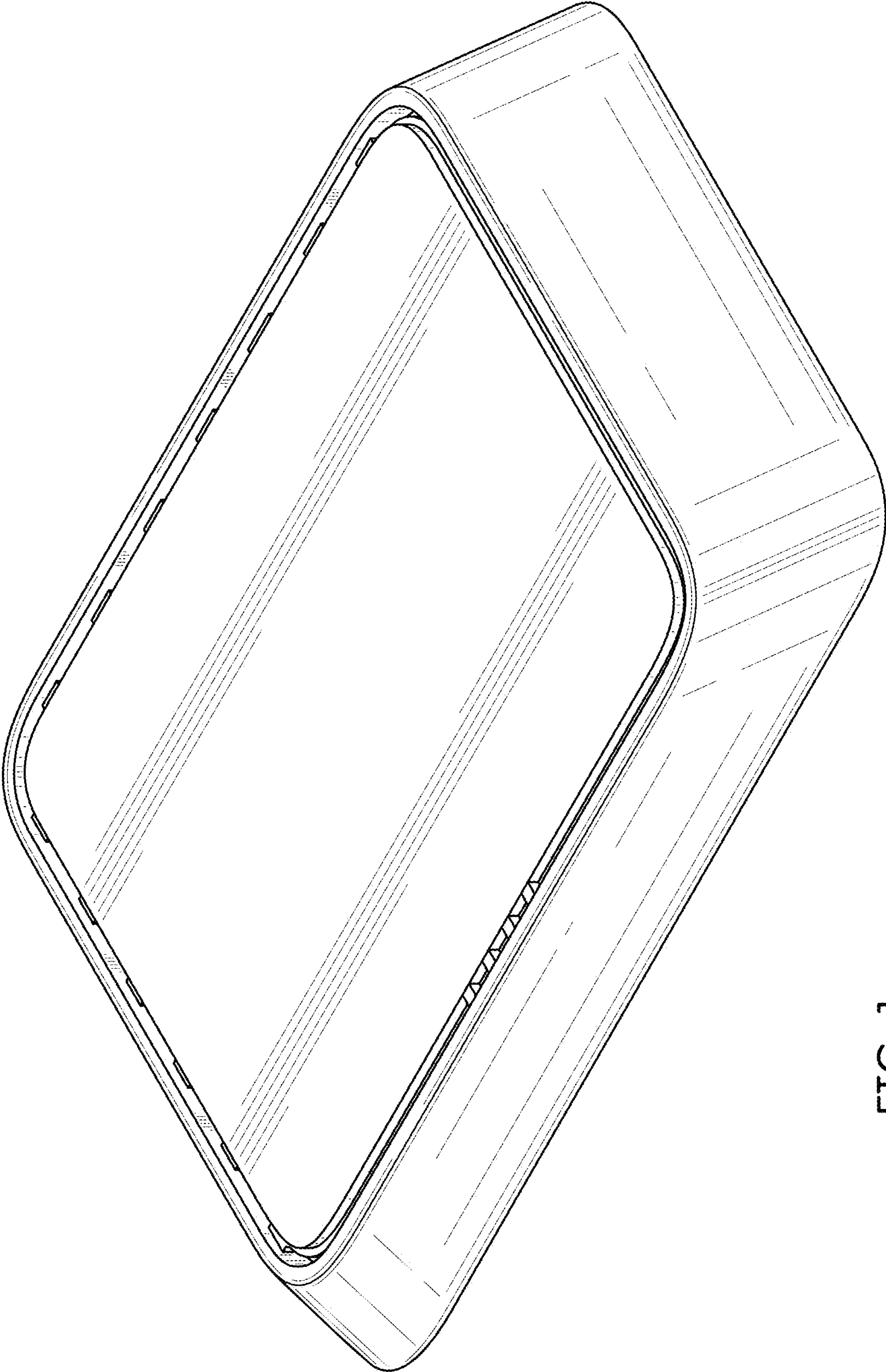


FIG. 1

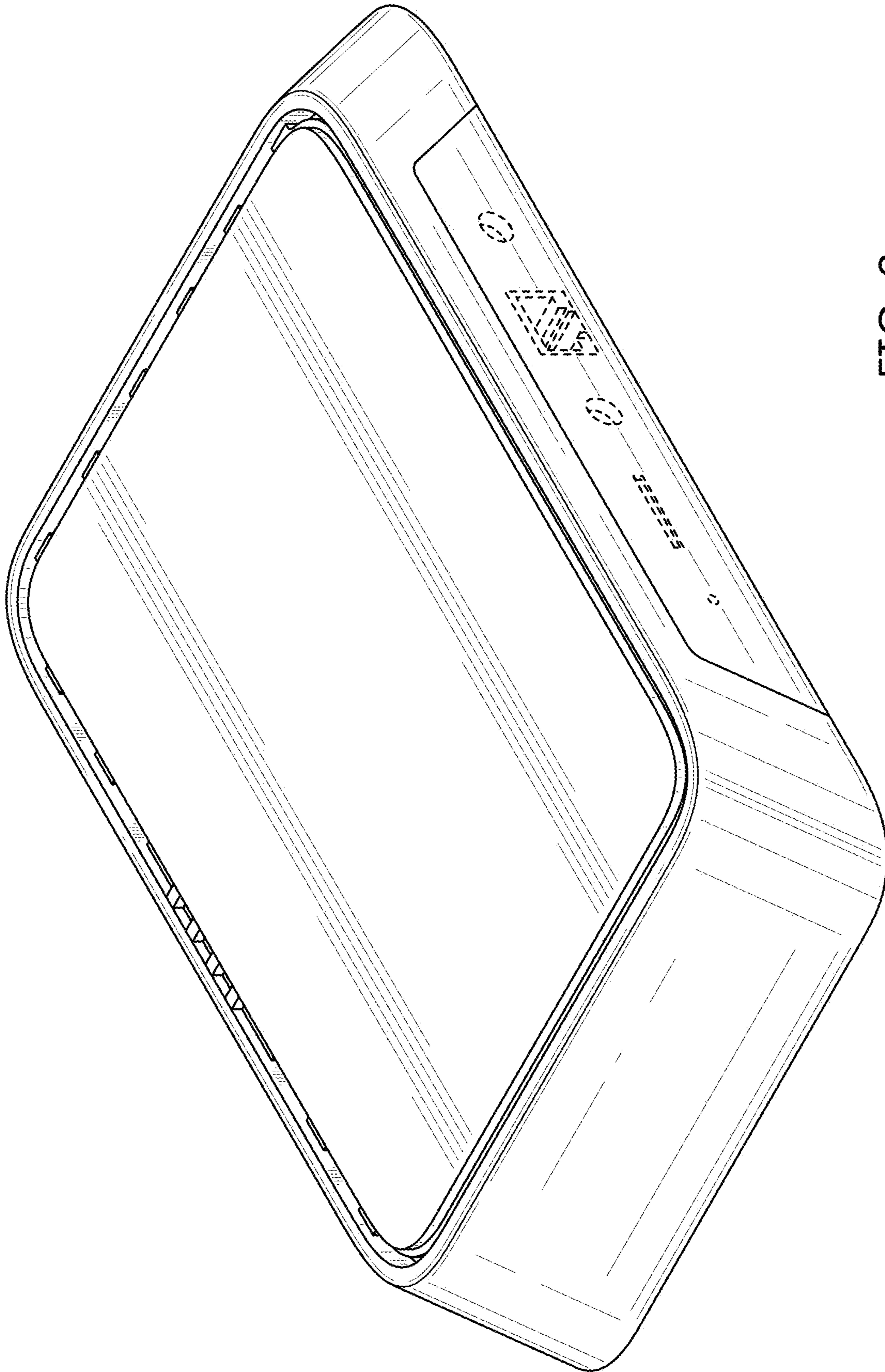


FIG. 2

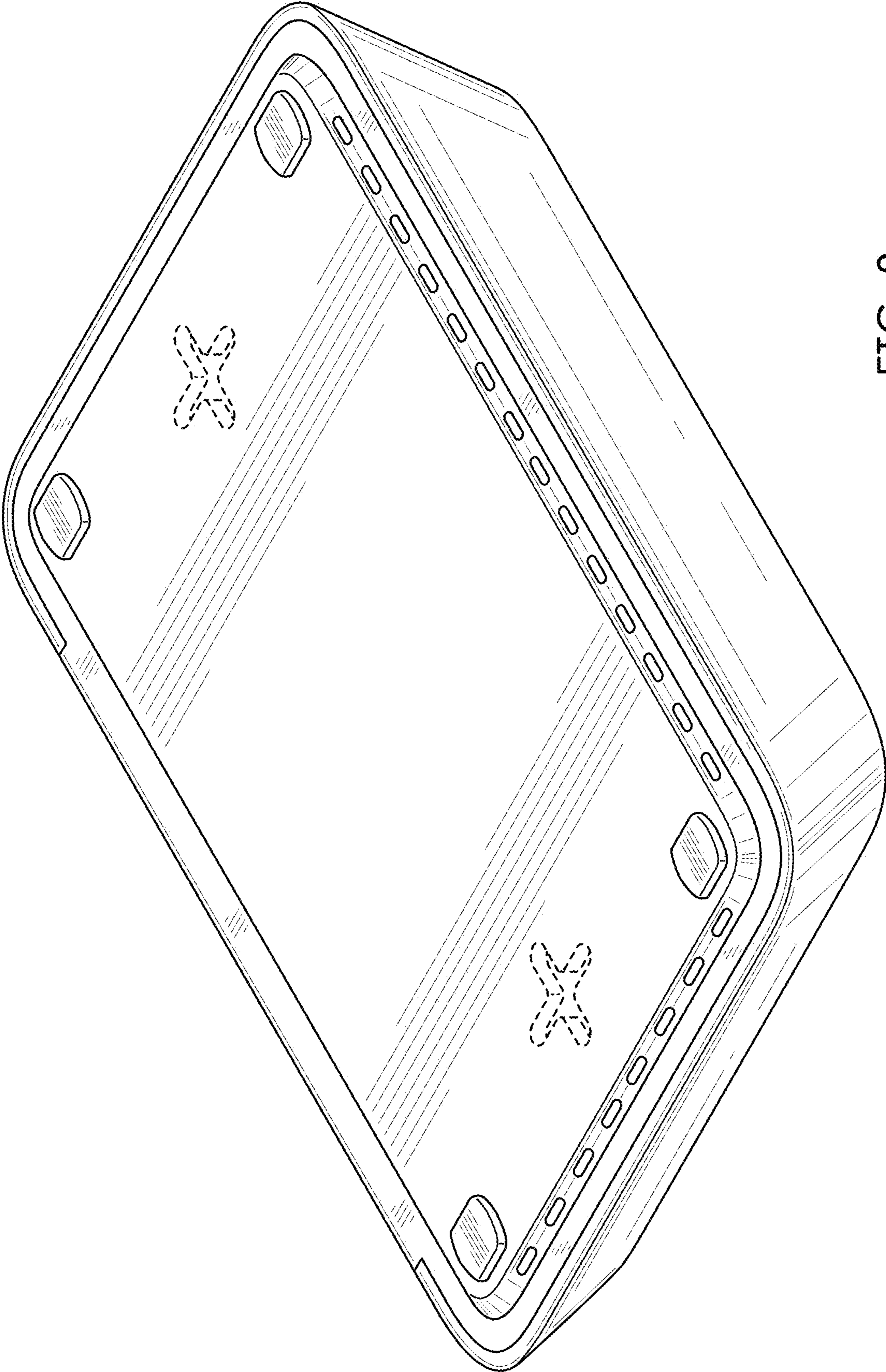


FIG. 3

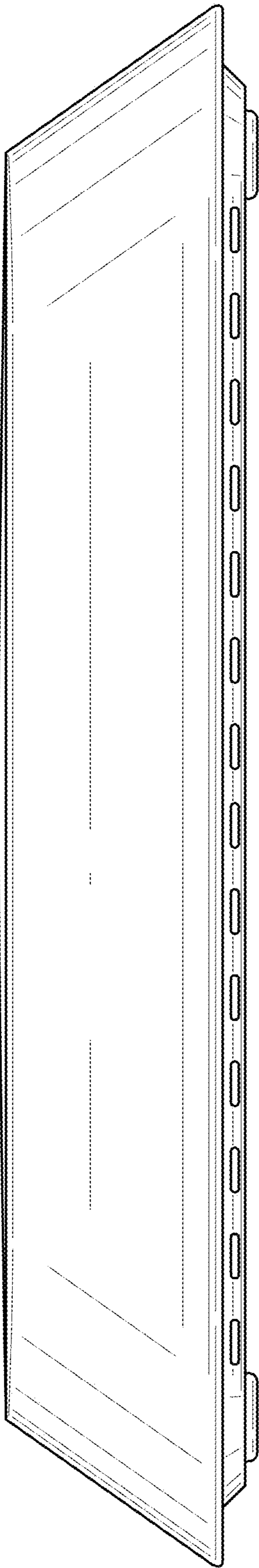


FIG. 4

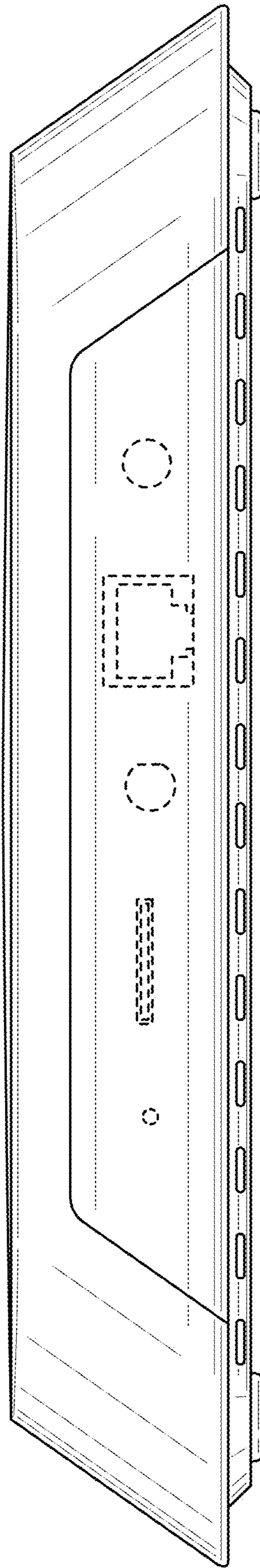


FIG. 5

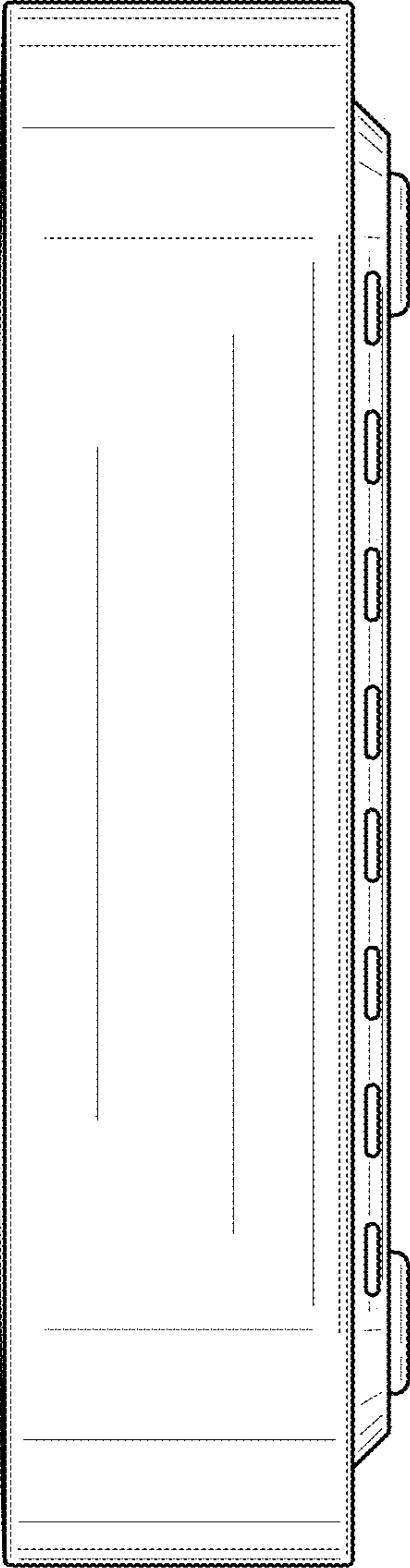


FIG. 6

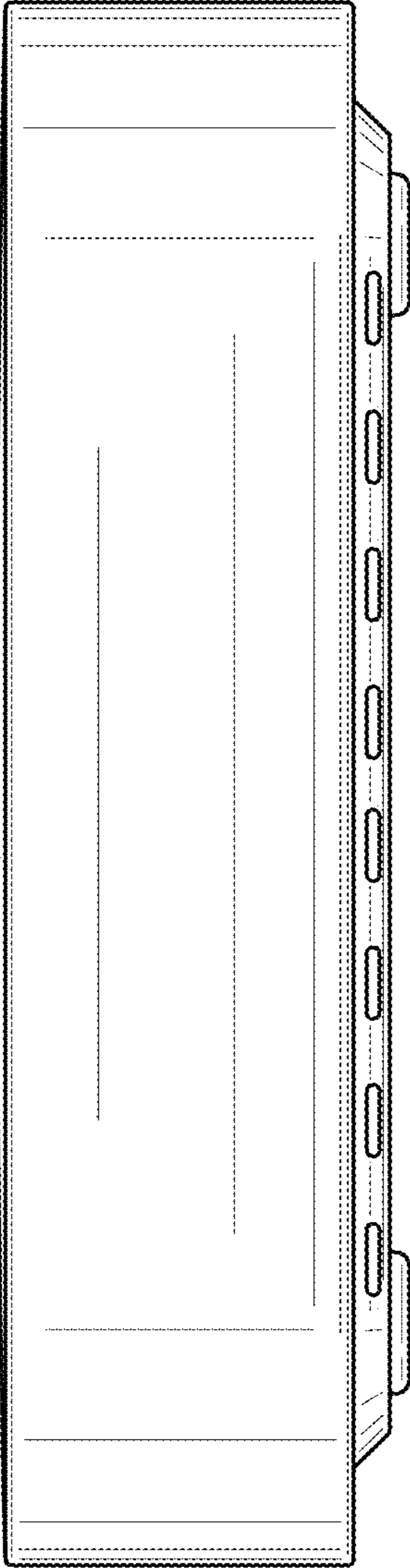


FIG. 7

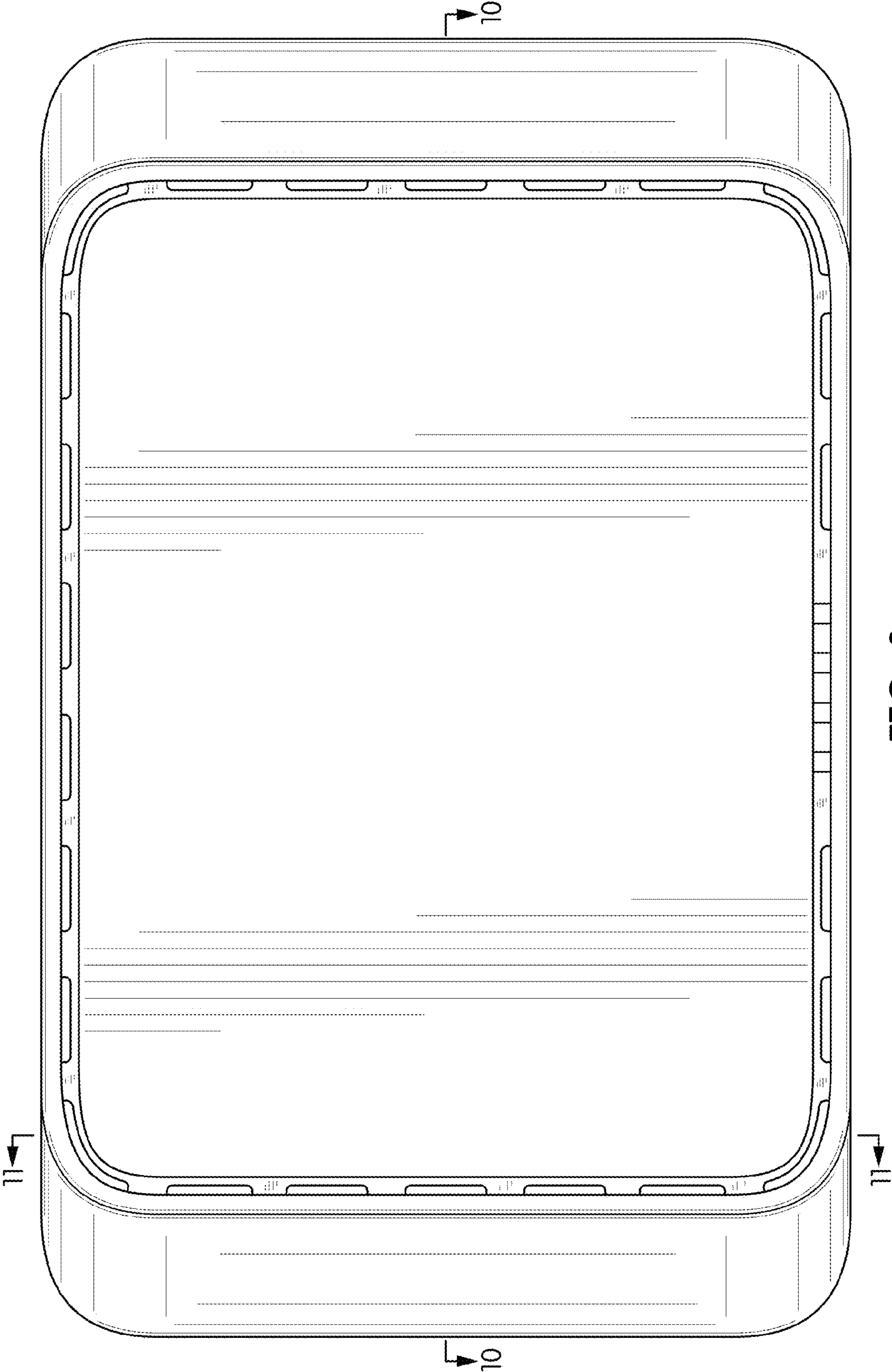


FIG. 8



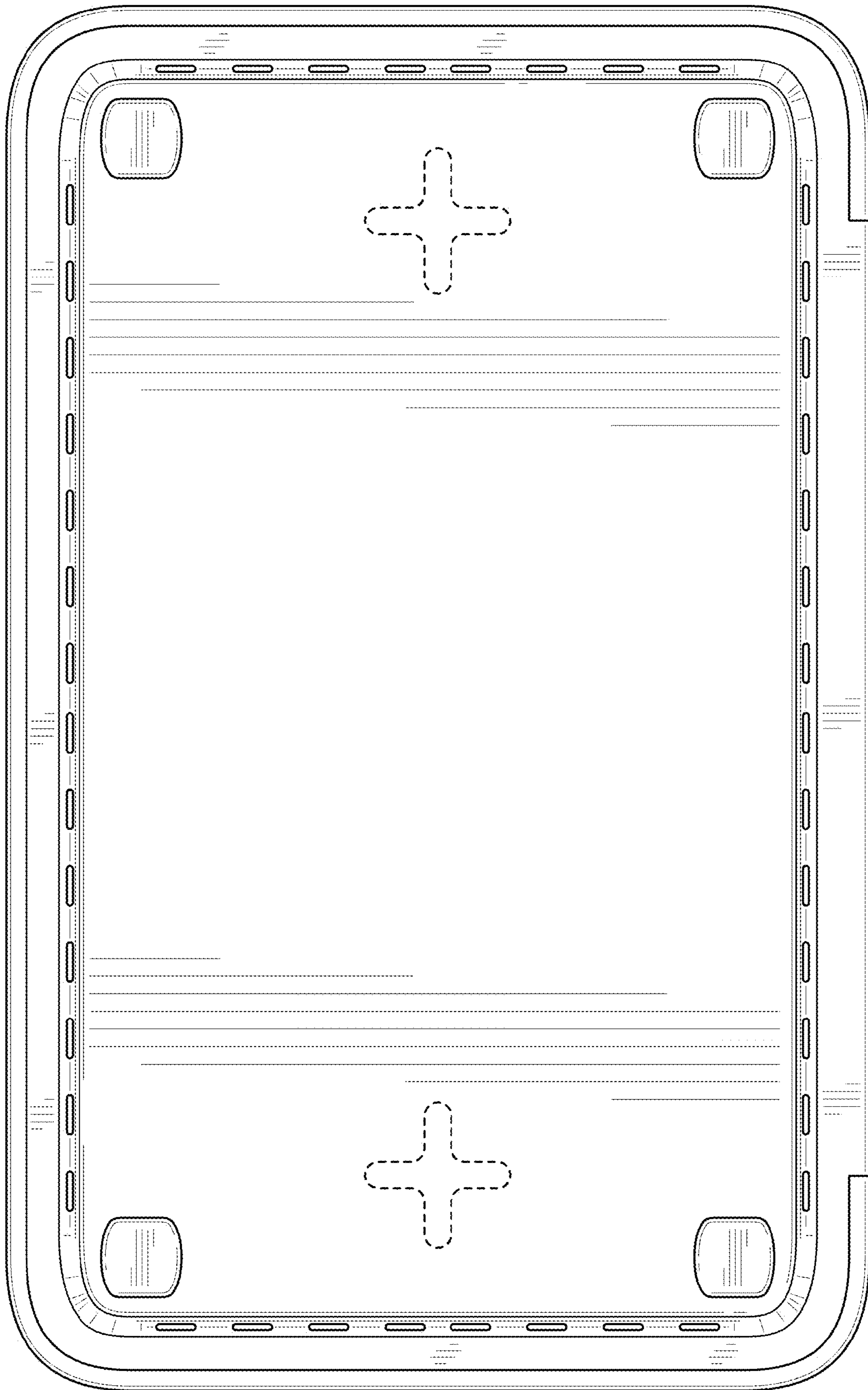


FIG. 9

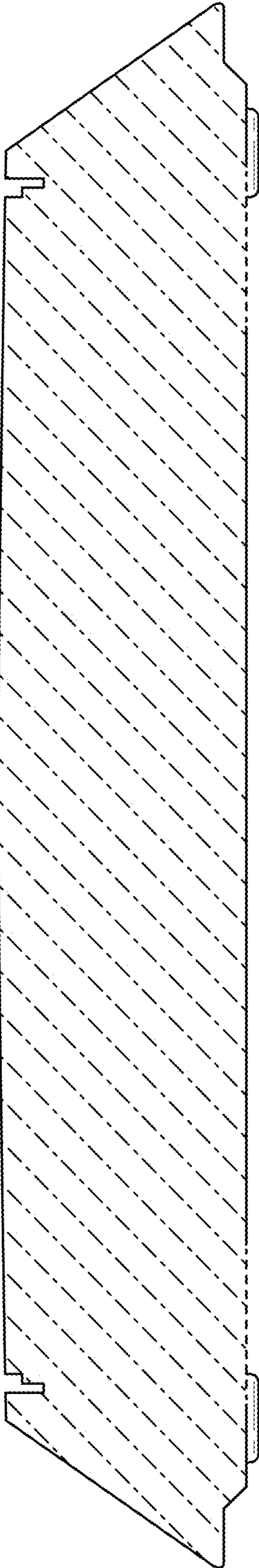


FIG. 10

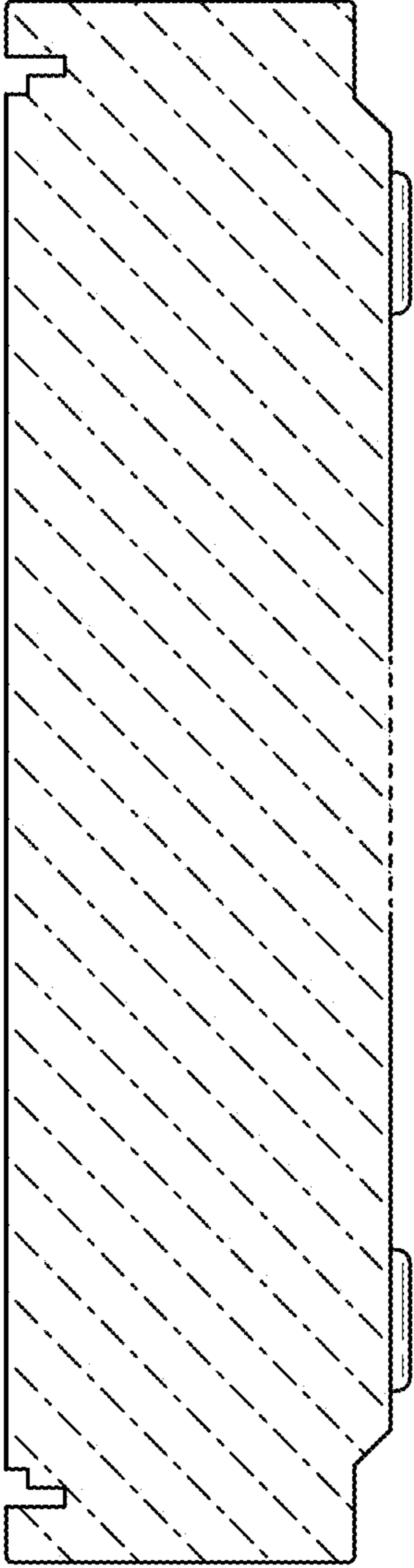


FIG. 11

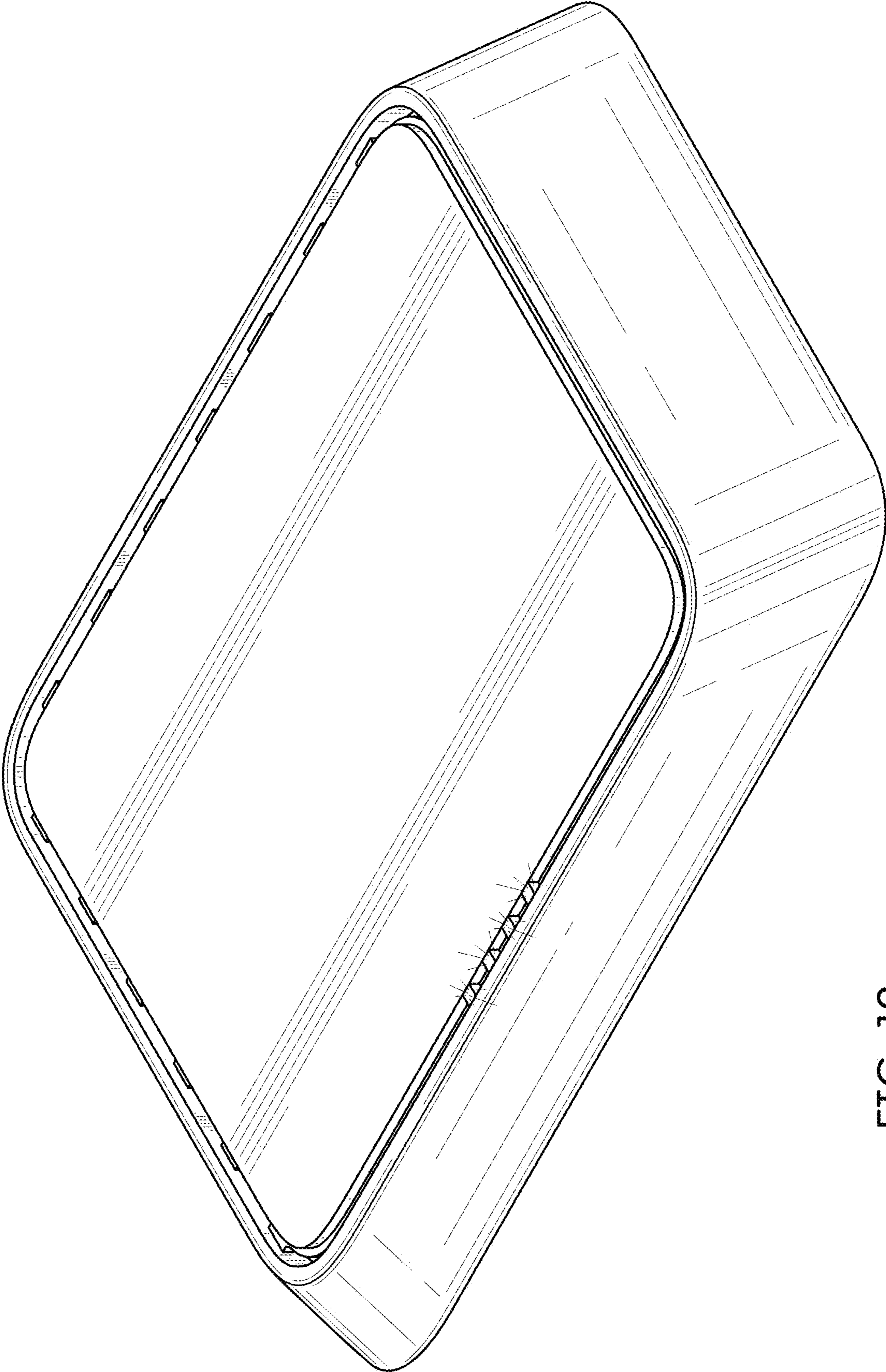


FIG. 12

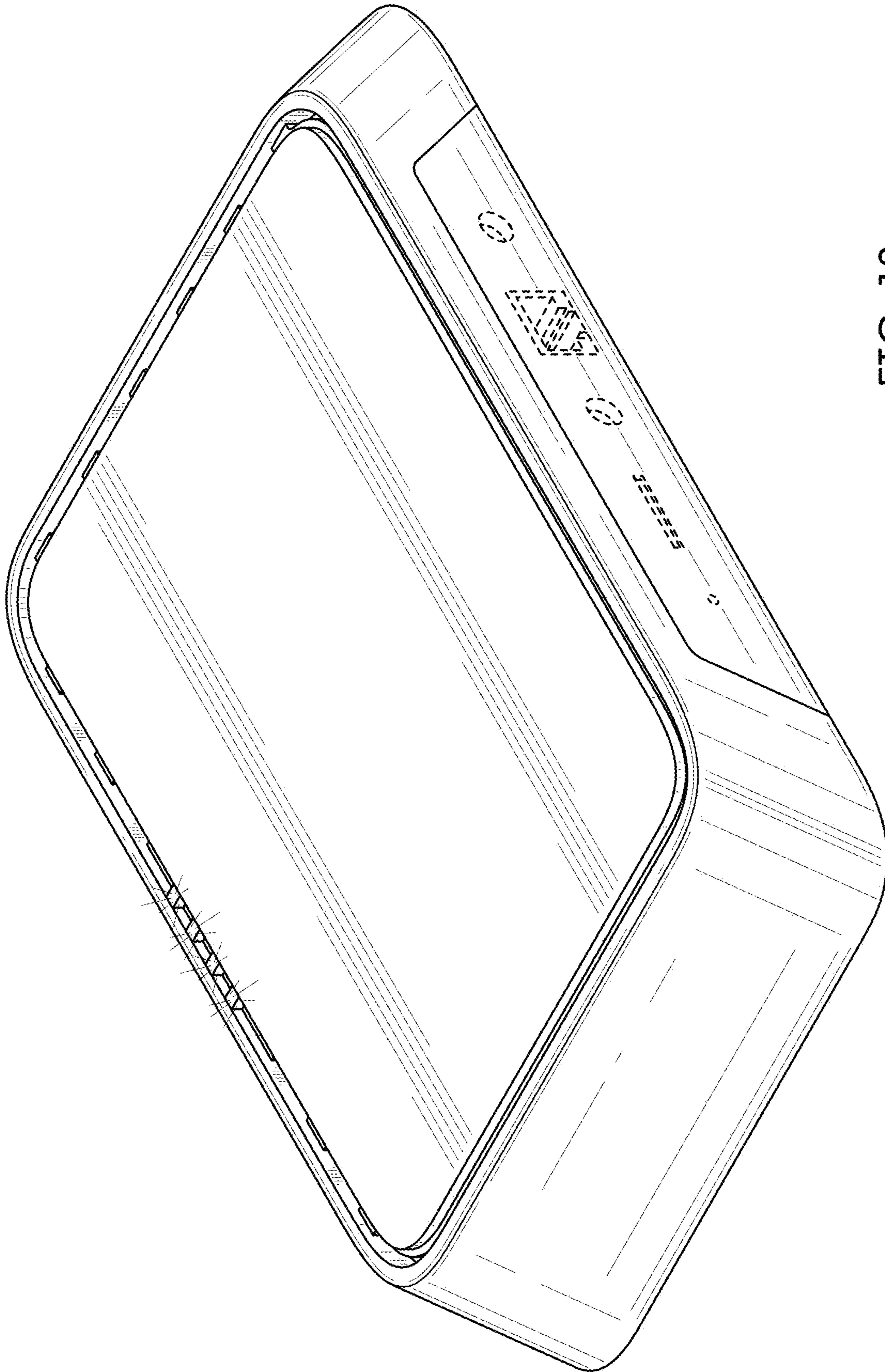


FIG. 13

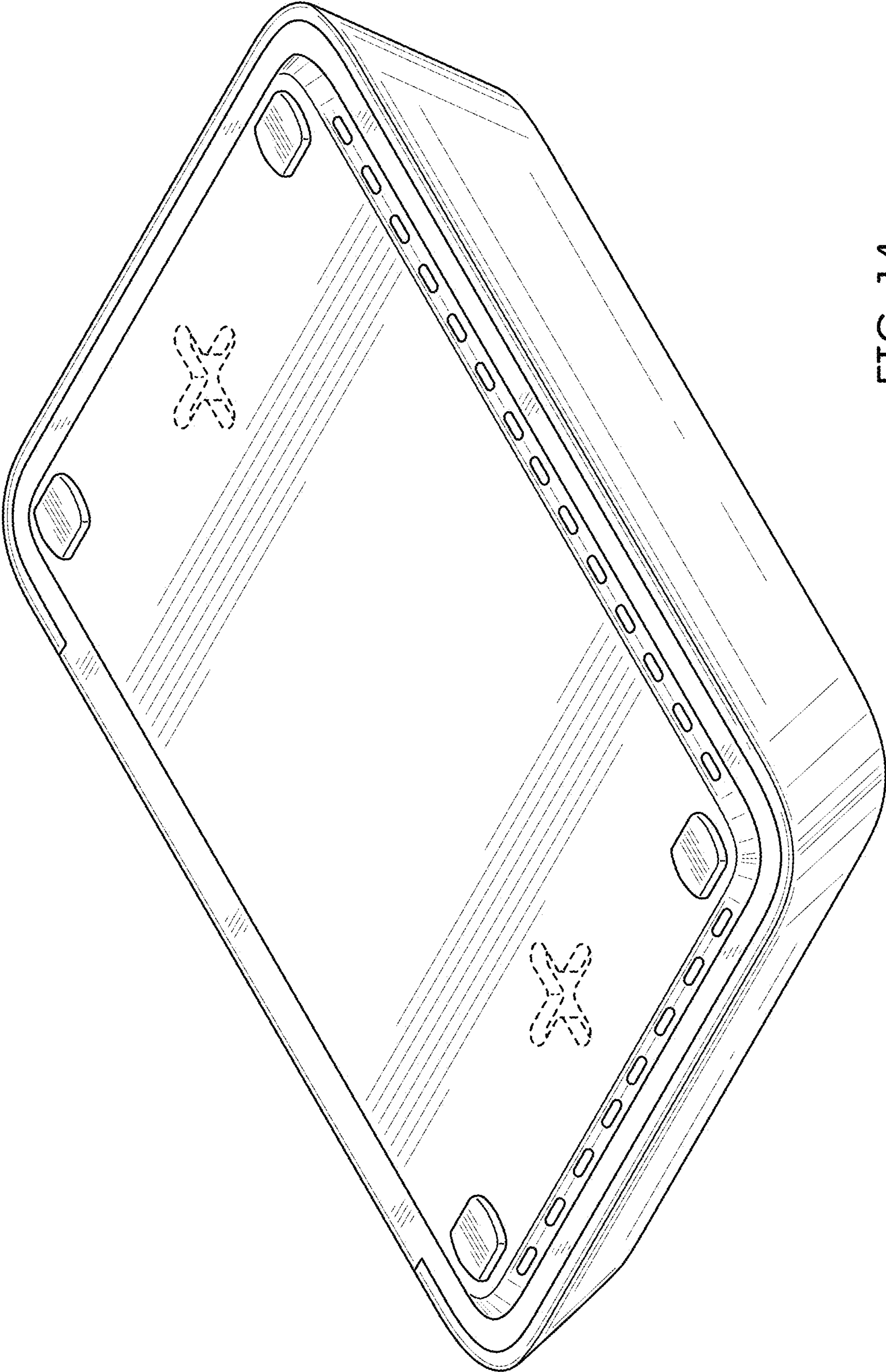


FIG. 14

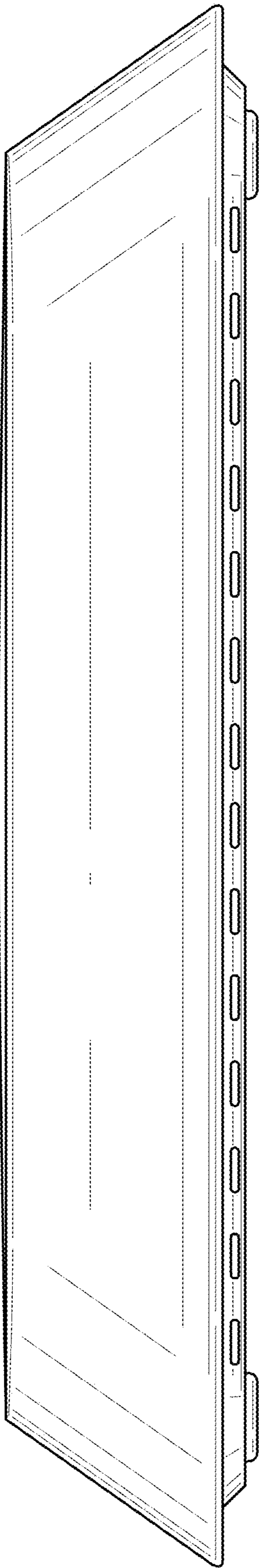


FIG. 15

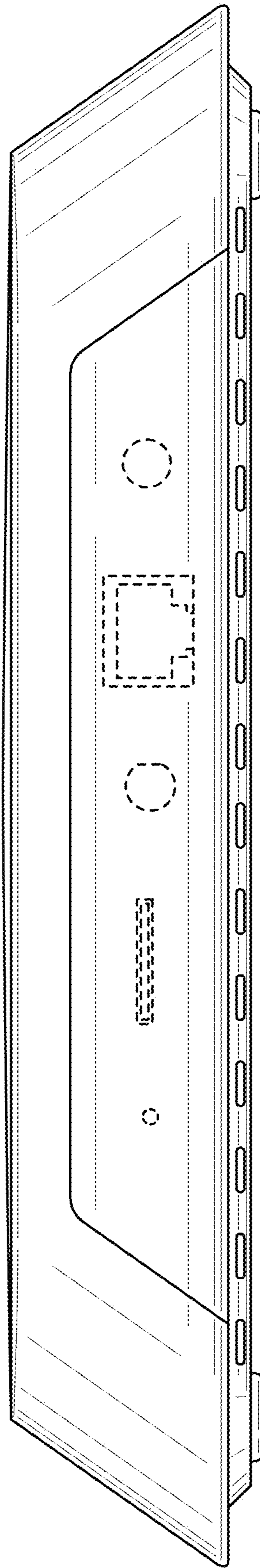


FIG. 16

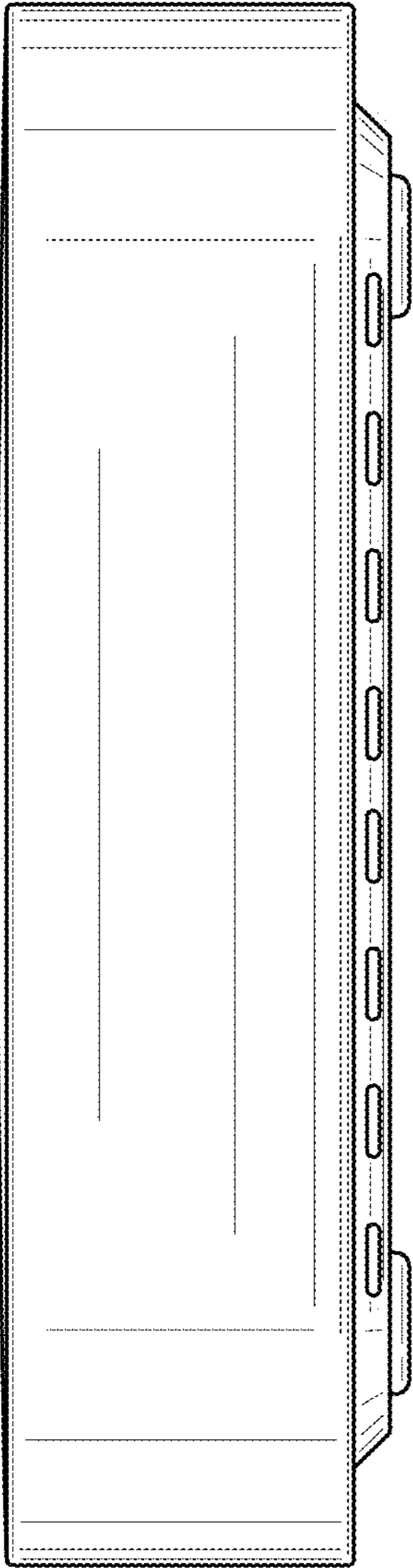


FIG. 17

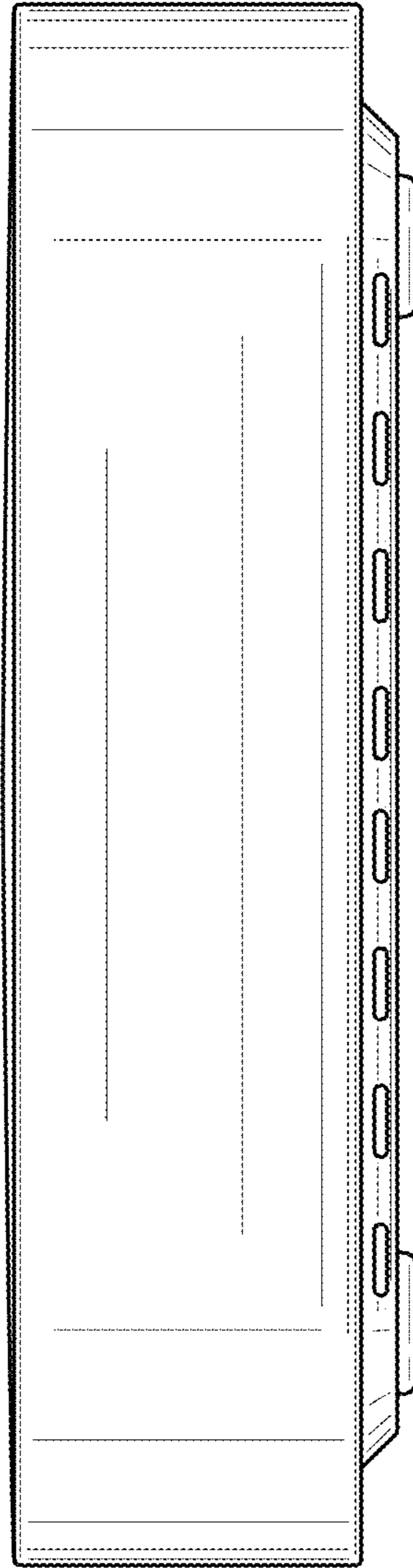


FIG. 18

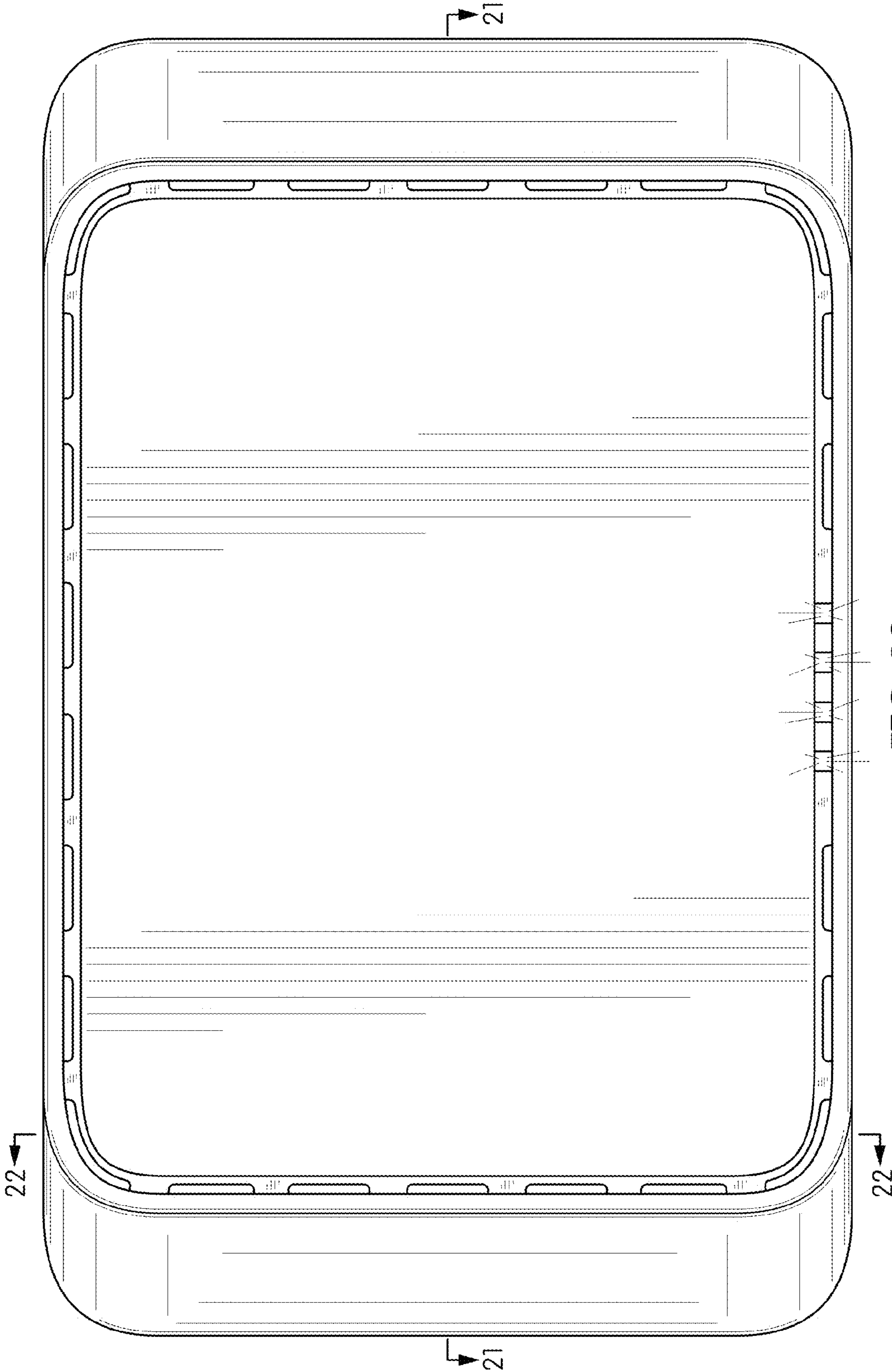


FIG. 19



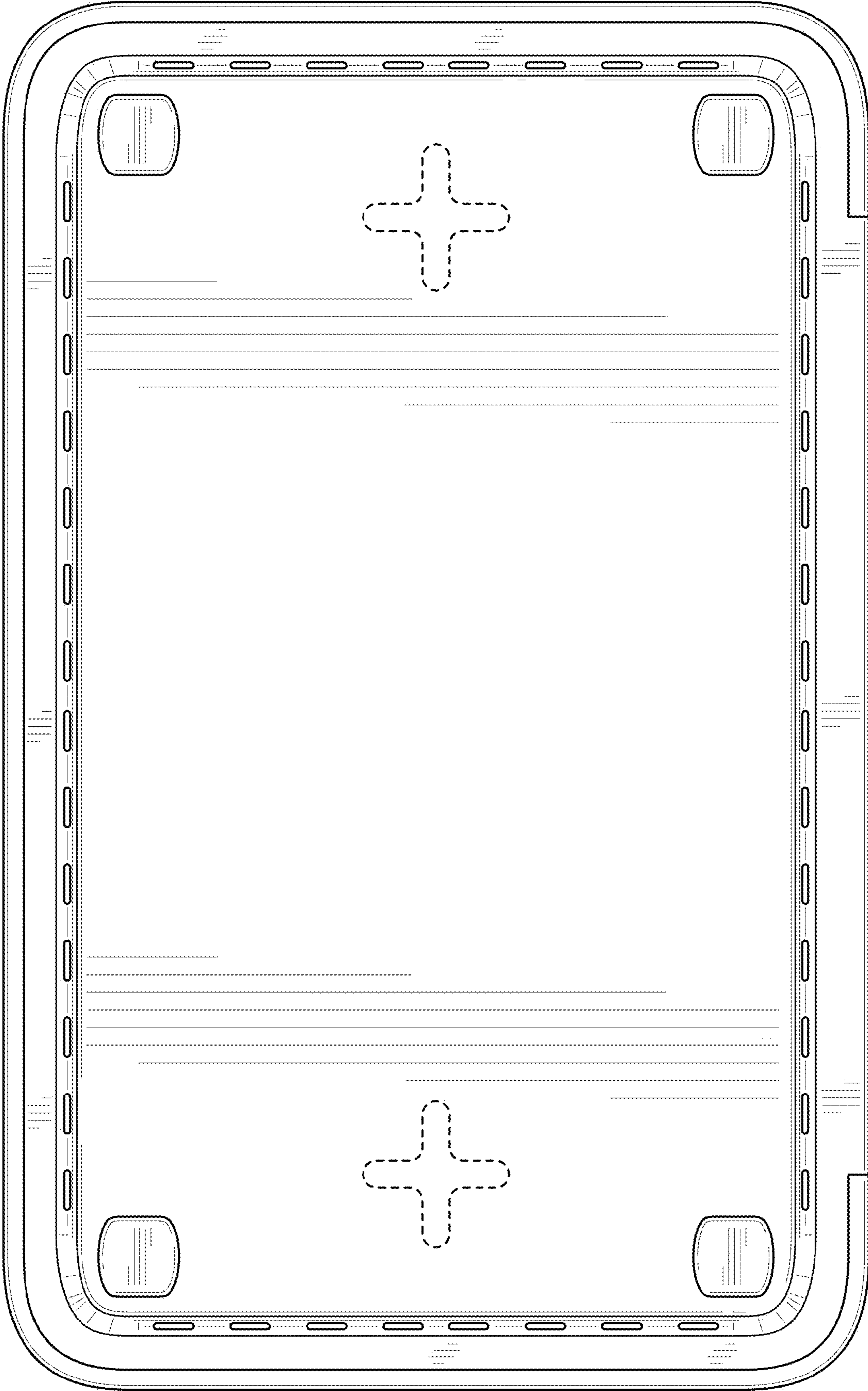


FIG. 20

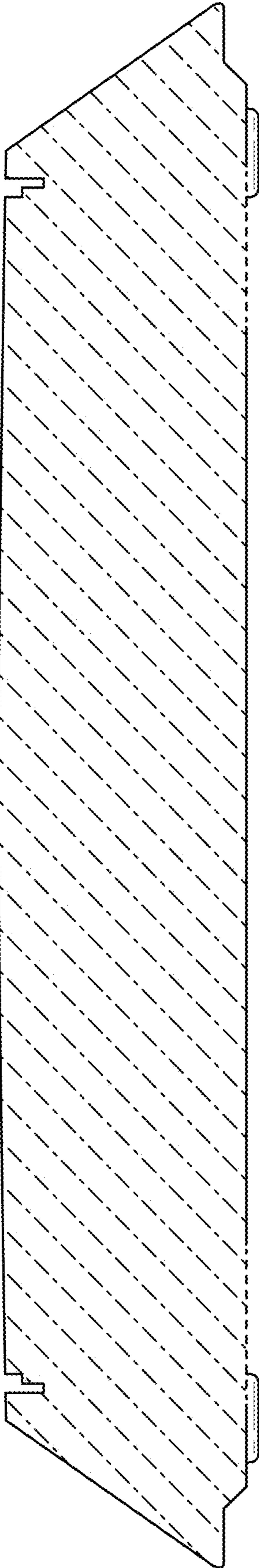


FIG. 21

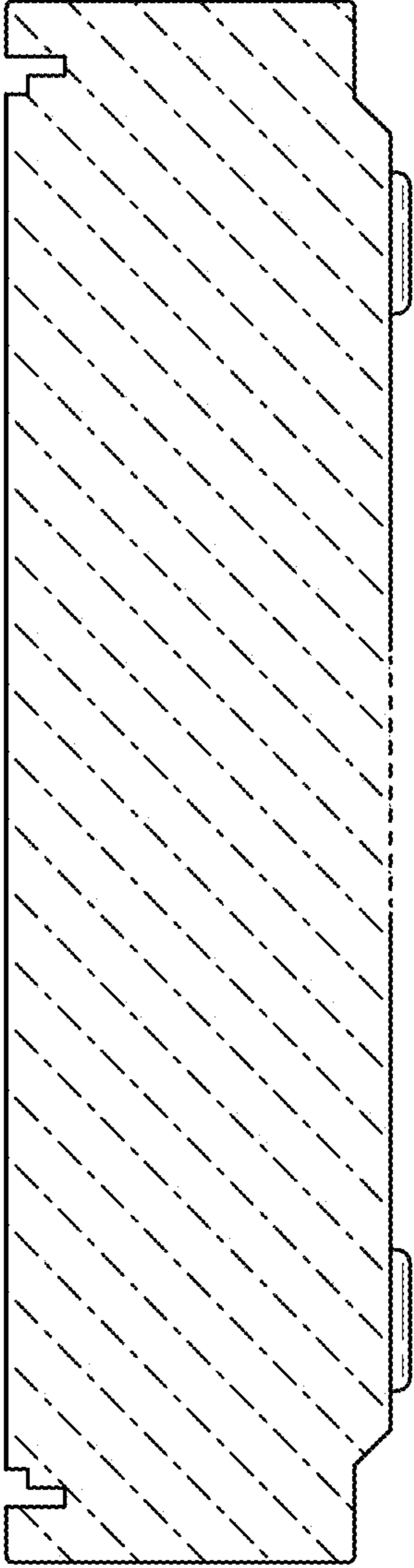


FIG. 22