



US00D905023S

(12) **United States Design Patent**
Renwick

(10) **Patent No.:** **US D905,023 S**

(45) **Date of Patent:** **** Dec. 15, 2020**

(54) **MICROPHONE**

(71) Applicant: **Logitech Europe S.A.**, Lausanne (CH)

(72) Inventor: **James Edward Renwick**, Portland, OR (US)

(73) Assignee: **LOGITECH EUROPE, S.A.**, Lausanne (CH)

(**) Term: **15 Years**

(21) Appl. No.: **29/667,342**

(22) Filed: **Oct. 19, 2018**

(51) **LOC (12) Cl.** **14-01**

(52) **U.S. Cl.**
USPC **D14/227**

(58) **Field of Classification Search**
USPC D14/221, 224, 225, 226, 227, 228, 229, D14/150, 154, 155, 158, 160, 172
CPC H04R 19/04; H04R 19/00; H04R 1/406; H04R 1/08; H04R 1/04; H04R 1/326; H04R 29/004; H04R 2410/00; H04R 2410/01; H04R 2410/03; H04R 2410/05; H04R 2410/07; H04R 2420/07; H04R 17/02

See application file for complete search history.

(56) **References Cited**

U.S. PATENT DOCUMENTS

| | | | | |
|--------------|---------|--------------|-------|---------|
| D572,188 S * | 7/2008 | Prat-Pfister | | D13/108 |
| D604,274 S * | 11/2009 | Durrett | | D14/228 |
| D657,740 S * | 4/2012 | Prat-Pfister | | D13/108 |
| D766,303 S * | 9/2016 | Anzures | | D14/486 |
| D834,004 S * | 11/2018 | Chen | | D14/226 |
| D834,564 S * | 11/2018 | Chen | | D14/226 |
| D842,278 S * | 3/2019 | Tong | | D14/227 |
| D842,846 S * | 3/2019 | Mai | | D14/225 |
| D848,404 S * | 5/2019 | Chen | | D14/227 |

| | | | | |
|-------------------|--------|-----------|-------|-----------------------|
| D851,073 S * | 6/2019 | Tong | | D14/227 |
| D872,725 S * | 1/2020 | Lindof | | D14/253 |
| 2006/0078152 A1 * | 4/2006 | Royer | | H04R 9/048 381/399 |
| 2009/0169043 A1 * | 7/2009 | Josephson | | H04R 1/086 381/355 |

OTHER PUBLICATIONS

Blue Yeti Nano Premium USB Mic for Recording and Streaming, announced Aug. 10, 2018 [online], retrieved Mar. 16, 2020, retrieved from internet, https://www.amazon.com/Blue-Yeti-Premium-Recording-Streaming/dp/B07DTTGZ7M?SubscriptionId=AKIAJV4KMHBMUG36SMIQ&tag=p00935-20&linkCode=xm2&camp=2025&creative=165953&creati.*
AEA R84 Recording Bundle, announced Mar. 19, 2014 [online], retrieved Mar. 19, 2014, retrieved from internet, <https://www.frontendaudio.com/aea-r84-recording-bundle/>.*

(Continued)

Primary Examiner — Dana K Weiland
Assistant Examiner — Messina L Smith
(74) *Attorney, Agent, or Firm* — Patterson & Sheridan, LLP

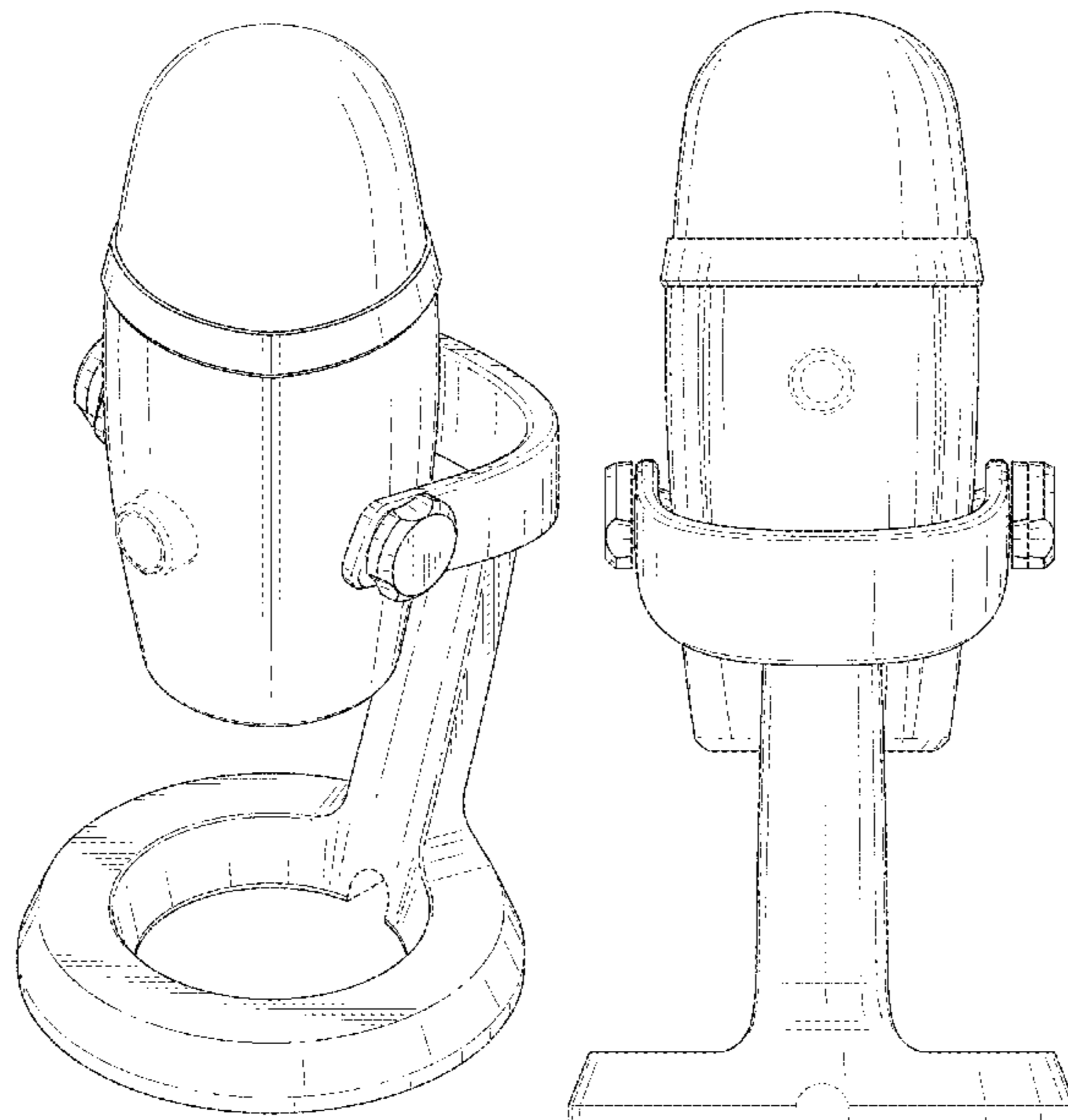
(57) **CLAIM**

The ornamental design for a microphone, as shown and described.

DESCRIPTION

FIG. 1 is a top, front, right side perspective view of a microphone showing my new design;
FIG. 2 is a front view thereof;
FIG. 3 is a back view thereof;
FIG. 4 is a right side view thereof;
FIG. 5 is a left side view thereof;
FIG. 6 is a top view thereof; and,
FIG. 7 is a bottom view thereof.
The broken lines in the drawings depict portions of the microphone that form no part of the claimed design.

1 Claim, 6 Drawing Sheets



(56)

References Cited

OTHER PUBLICATIONS

Yeti Nano shrinks one of Blue's most popular mics, announced Aug. 28, 2018 [online], retrieved Mar. 19, 2014, retrieved from internet, <https://www.slashgear.com/yeti-nano-shrinks-one-of-blues-most-popular-mics-28543270/>.*

Logitech Blue Yeti Nano Microphone Black, announced 1999-2020 [online], retrieved Mar. 19, 2014, retrieved from internet, <https://www.solidsignal.com/pview.asp?p=YETINANOSHDBGY>.*

* cited by examiner

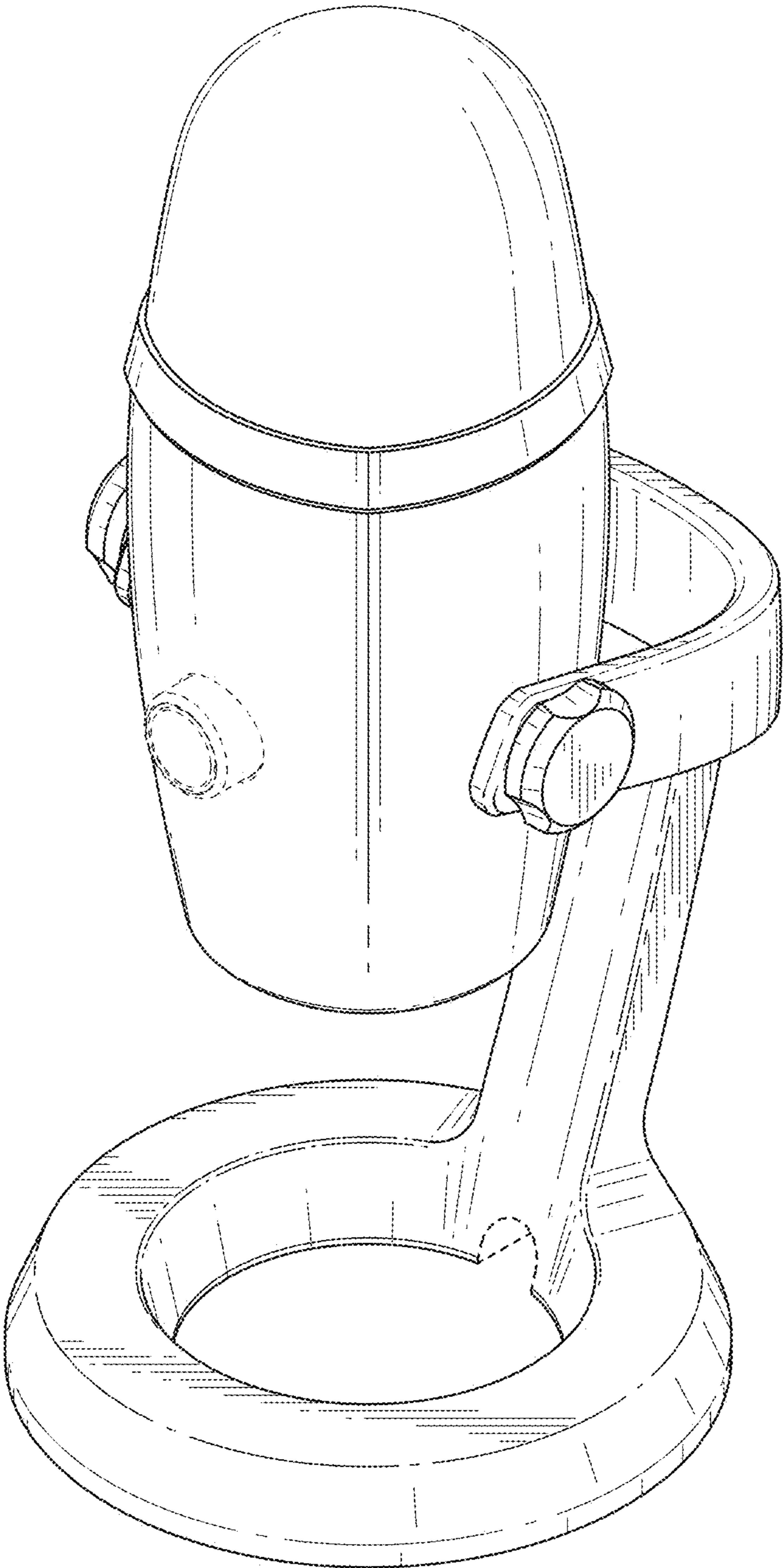


FIG. 1

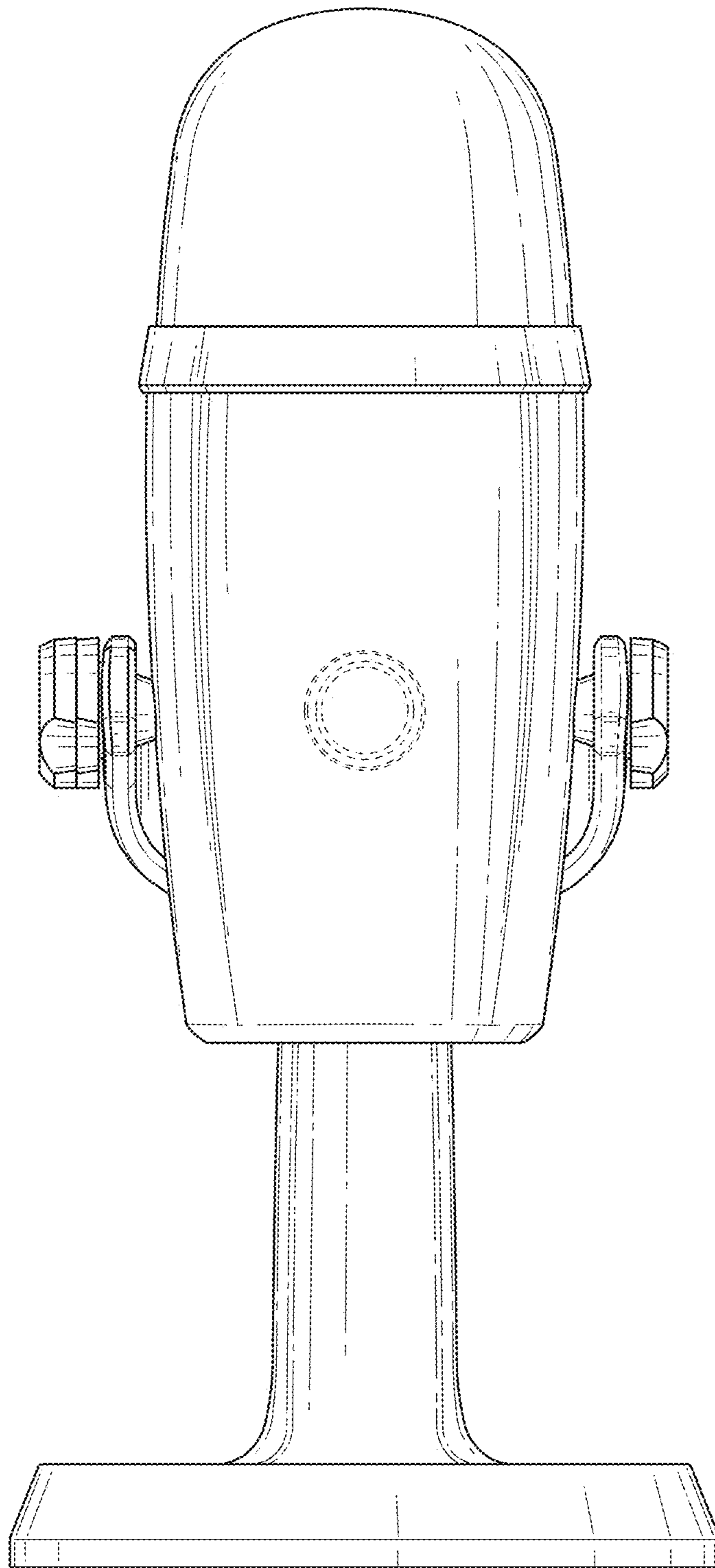


FIG. 2

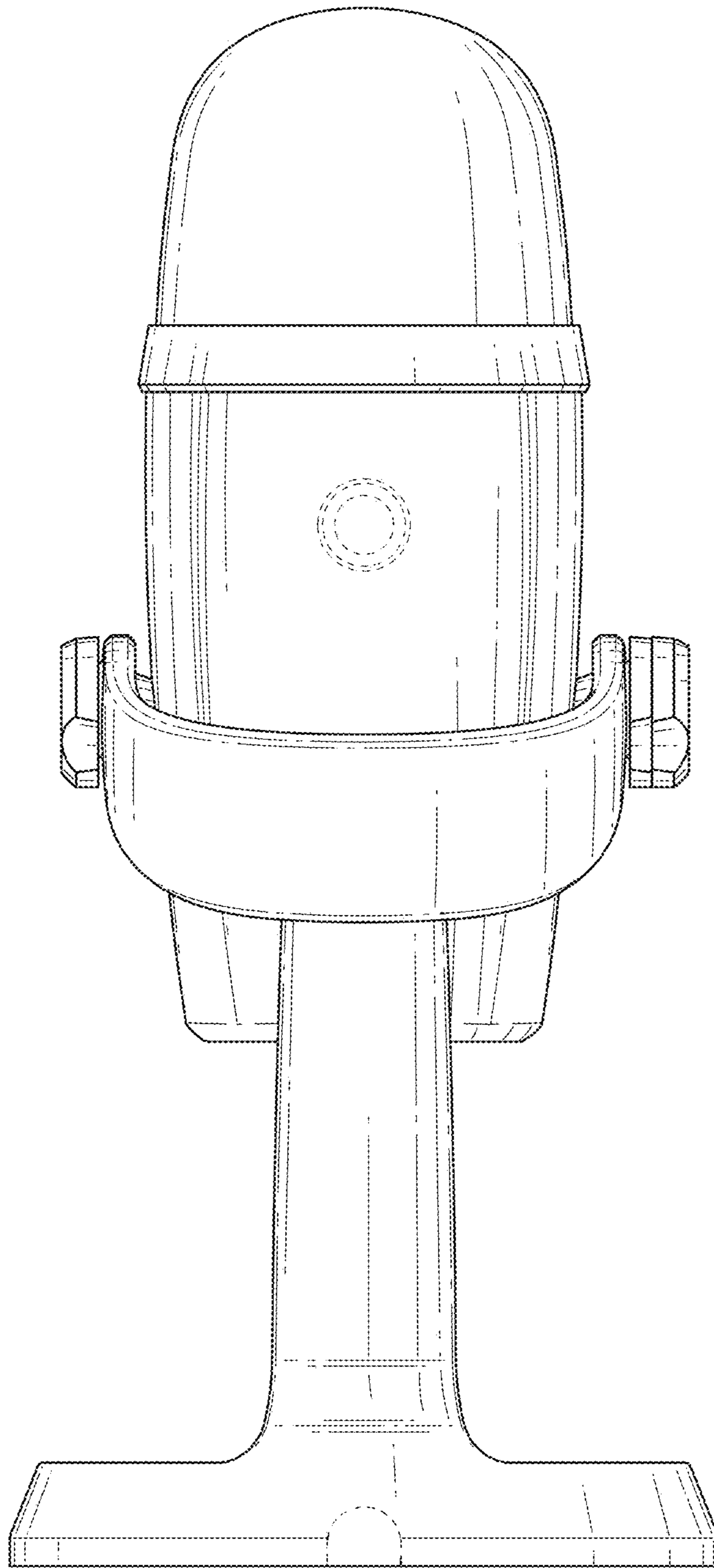


FIG. 3

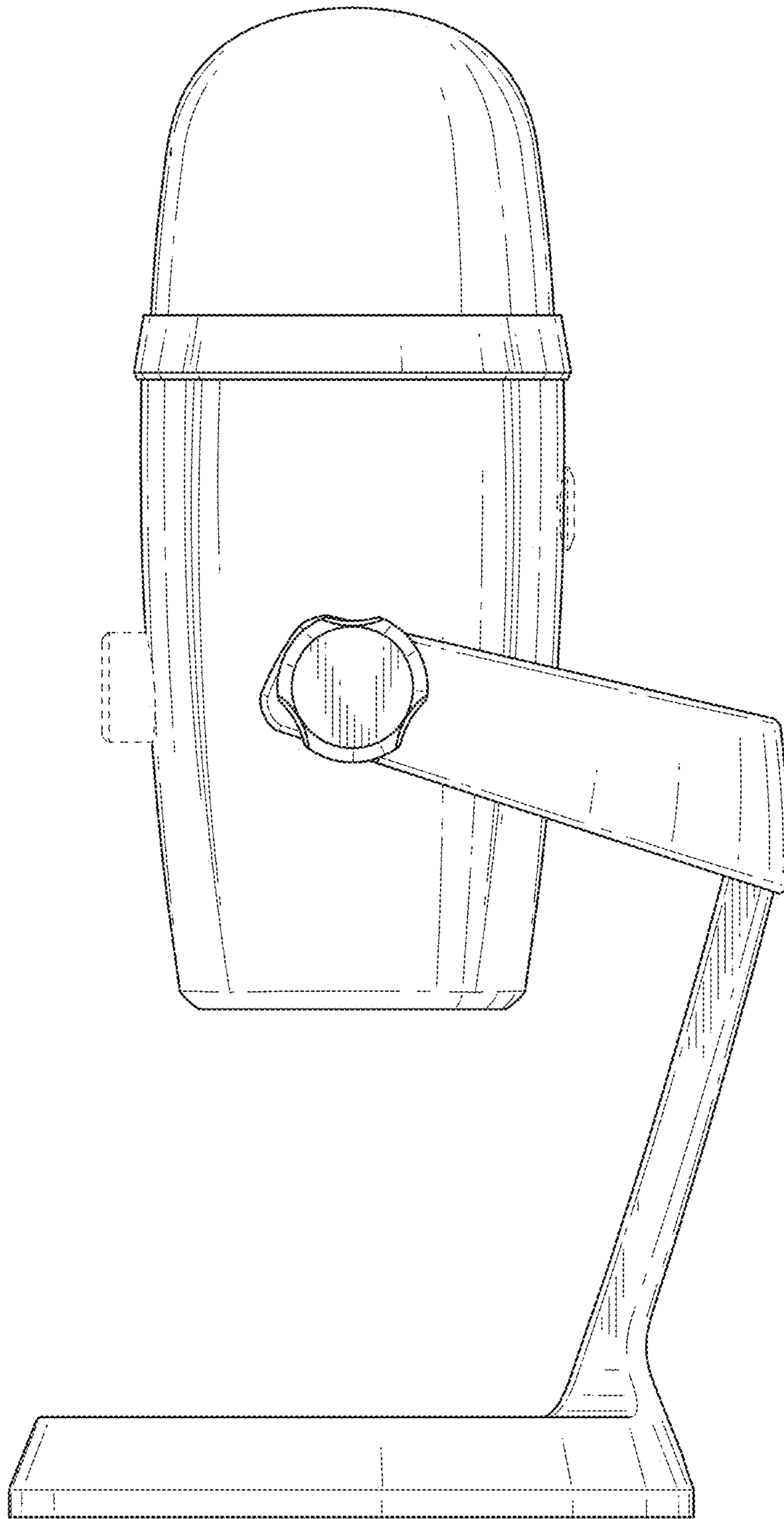


FIG. 4

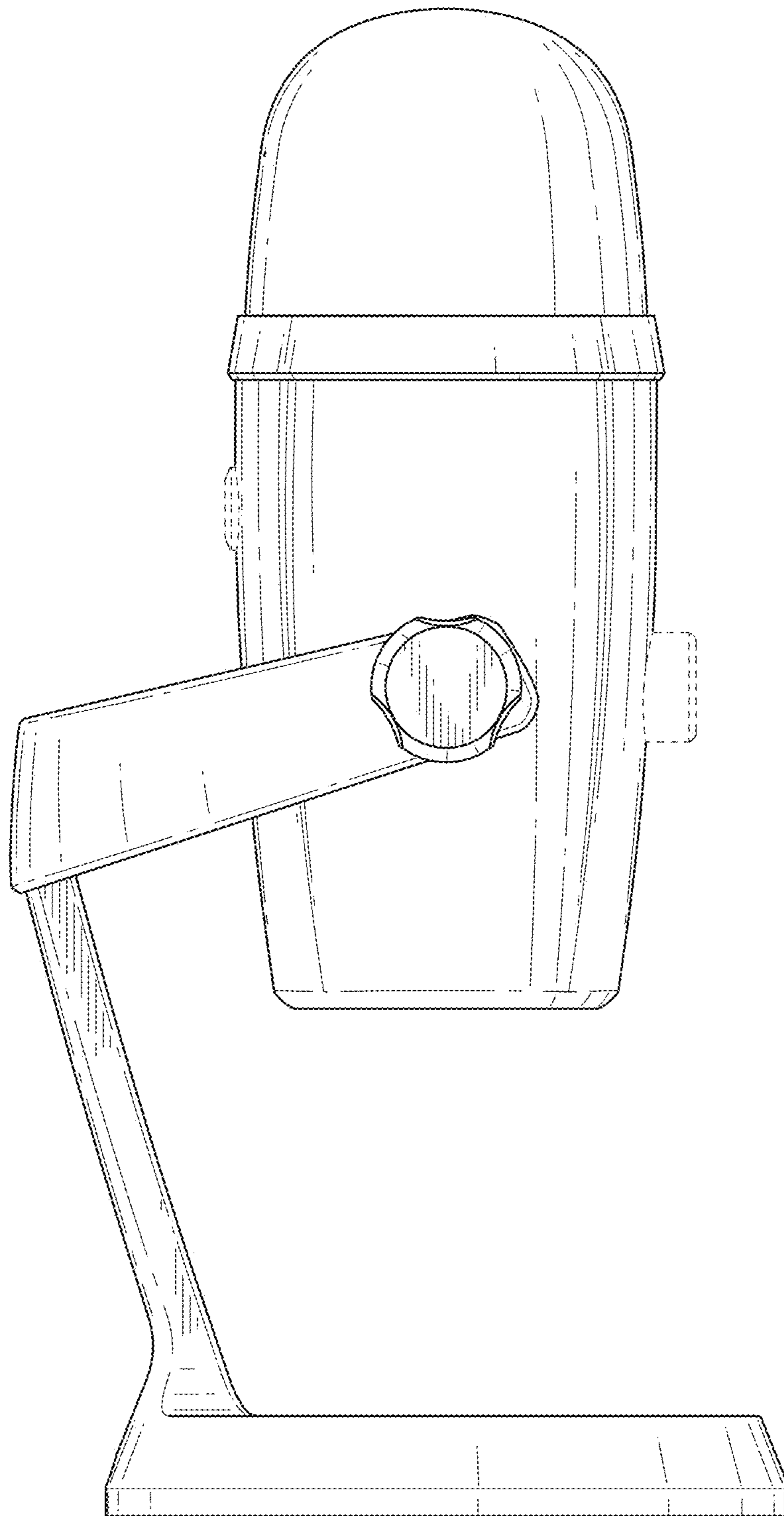


FIG. 5

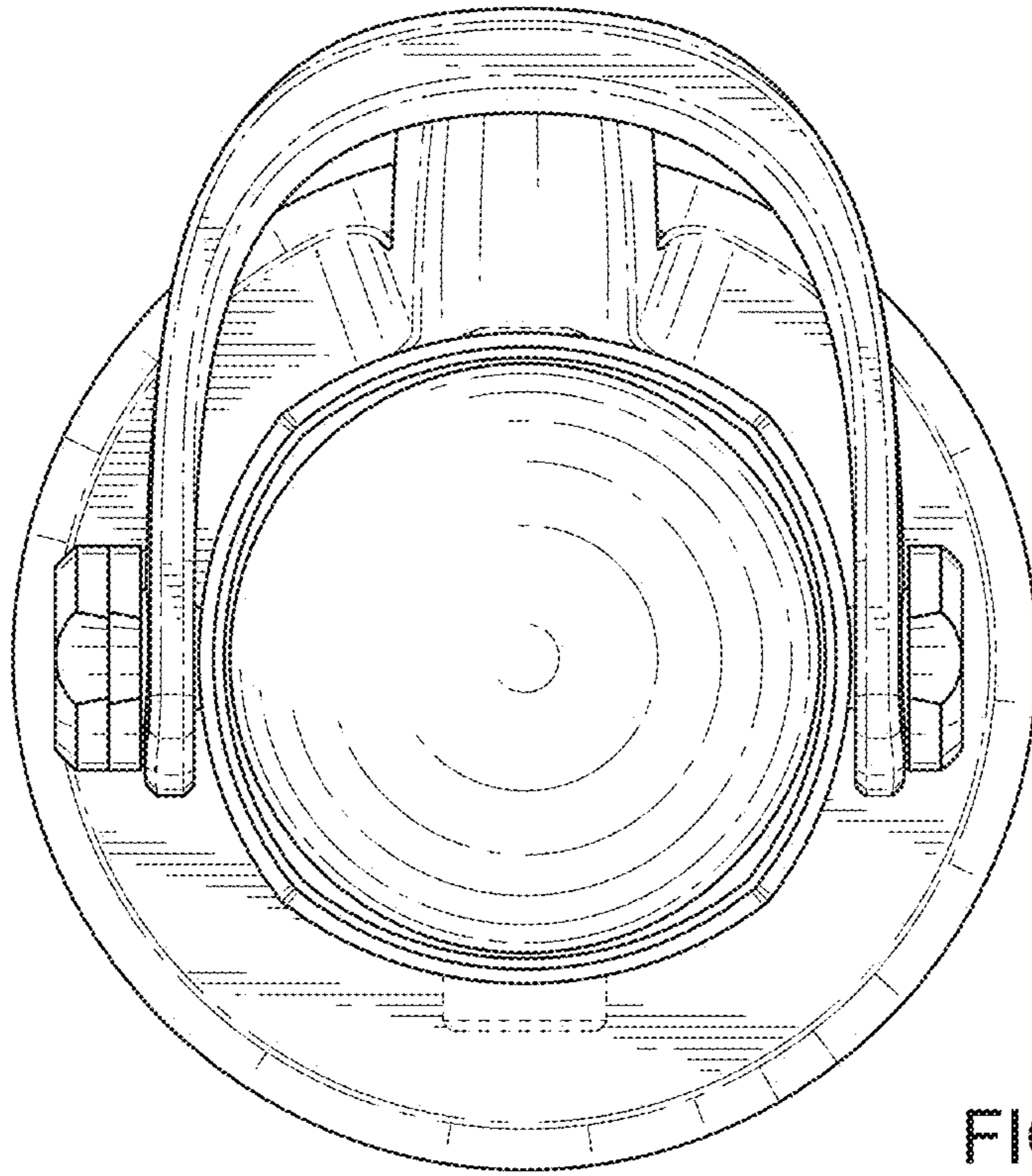


FIG. 6

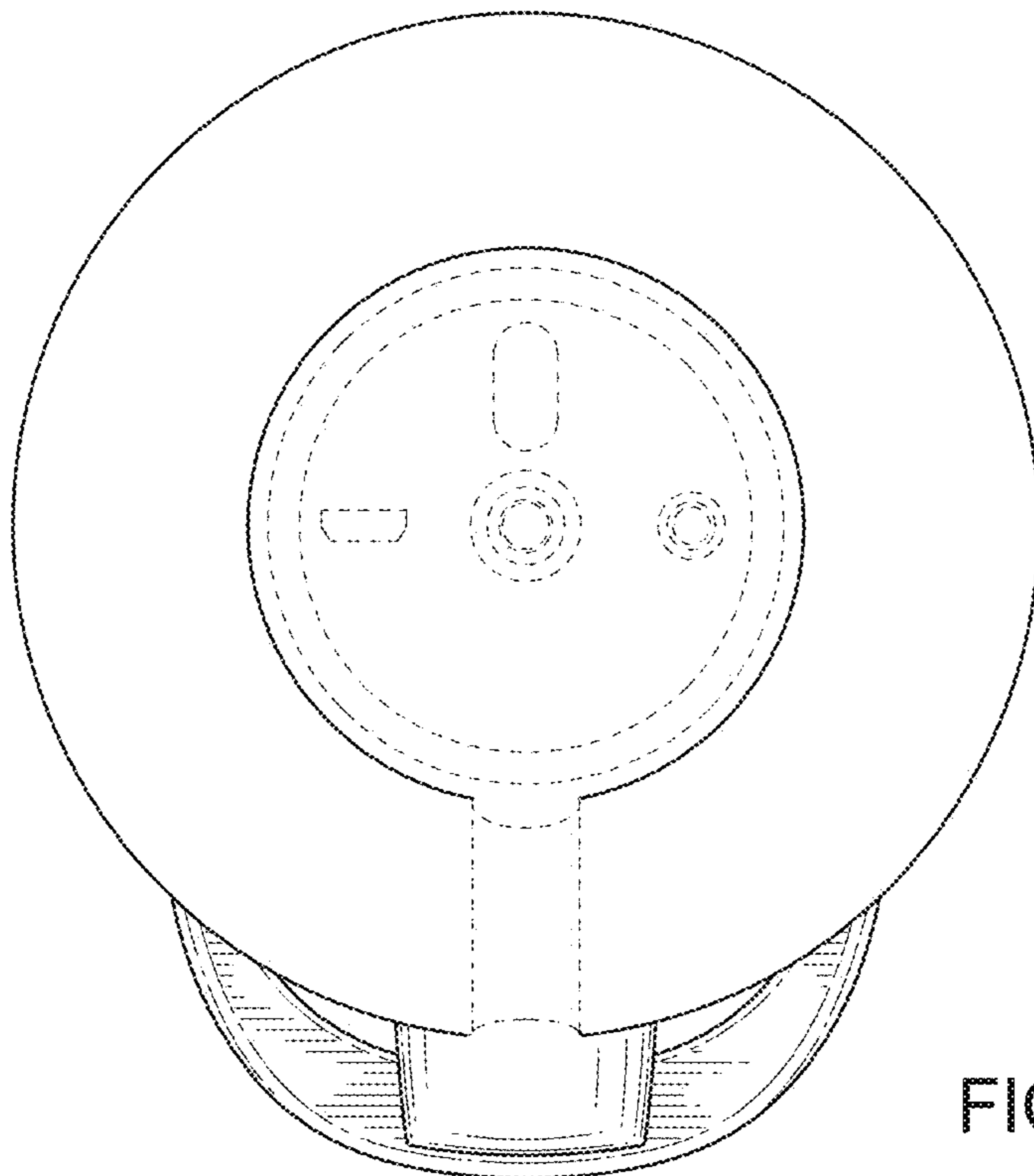


FIG. 7