



US00D905022S

(12) **United States Design Patent**  
**Zheng**

(10) **Patent No.:** **US D905,022 S**

(45) **Date of Patent:** **\*\* Dec. 15, 2020**

- (54) **MICROPHONE ISOLATION SHIELD**
- (71) Applicant: **CROWN TECH LLC**, Chino, CA (US)
- (72) Inventor: **Chaofan Zheng**, Chino, CA (US)
- (73) Assignee: **CROWN TECH LLC**, Chino, CA (US)
- (\*\*) Term: **15 Years**
- (21) Appl. No.: **29/743,615**
- (22) Filed: **Jul. 22, 2020**
- (51) **LOC (12) Cl.** ..... **14-01**
- (52) **U.S. Cl.**  
USPC ..... **D14/225**
- (58) **Field of Classification Search**  
USPC ..... D14/225, 227, 229, 217, 154, 450, 205;  
D24/175; D6/332; D99/43; 181/192,  
181/290, 148, 158, 198; 381/361, 168,  
381/174, 170, 160, 164, 191, 346, 120;  
52/145  
CPC . H04R 25/00; H04R 1/02; H04R 9/06; H04R  
9/08; H04R 1/08; H04R 1/1086; H04R  
1/20; G10K 11/00; A47G 5/00  
See application file for complete search history.

(56) **References Cited**

**U.S. PATENT DOCUMENTS**

- 1,444,522 A \* 2/1923 Pedlar ..... A47F 11/02  
160/135
- 1,986,609 A \* 1/1935 Snoek ..... H04R 1/342  
381/160
- 1,997,022 A \* 4/1935 Stalker ..... A63F 9/088  
446/488
- 2,390,488 A \* 12/1945 Alford ..... H04M 1/19  
181/242
- 2,934,612 A \* 4/1960 Stanton ..... H04R 19/02  
381/150

- 2,975,243 A \* 3/1961 Katella ..... H04R 19/02  
381/191
- 3,032,138 A \* 5/1962 Haerther, Jr. .... H04R 7/20  
181/164
- D203,115 S \* 12/1965 MacFarlane ..... D24/175
- 3,564,138 A \* 2/1971 Harrold ..... G01R 13/202  
348/842
- 3,889,736 A \* 6/1975 Firks ..... E04B 2/7429  
160/135
- 3,913,656 A \* 10/1975 Guyer ..... A47G 5/00  
160/135
- 3,964,571 A \* 6/1976 Snell ..... H04R 1/345  
181/150

(Continued)

**OTHER PUBLICATIONS**

Monoprice, SR Stage Right, User Manual, online, User Manual date Oct. 8, 2018, URL: [https://www.monoprice.com/product?p\\_id=602650&gclid=EALalQobChMl-cTM4ta27Al](https://www.monoprice.com/product?p_id=602650&gclid=EALalQobChMl-cTM4ta27Al), retrieved Oct. 15, 2020 (Year: 2020).\*

*Primary Examiner* — Paula Allen Greene

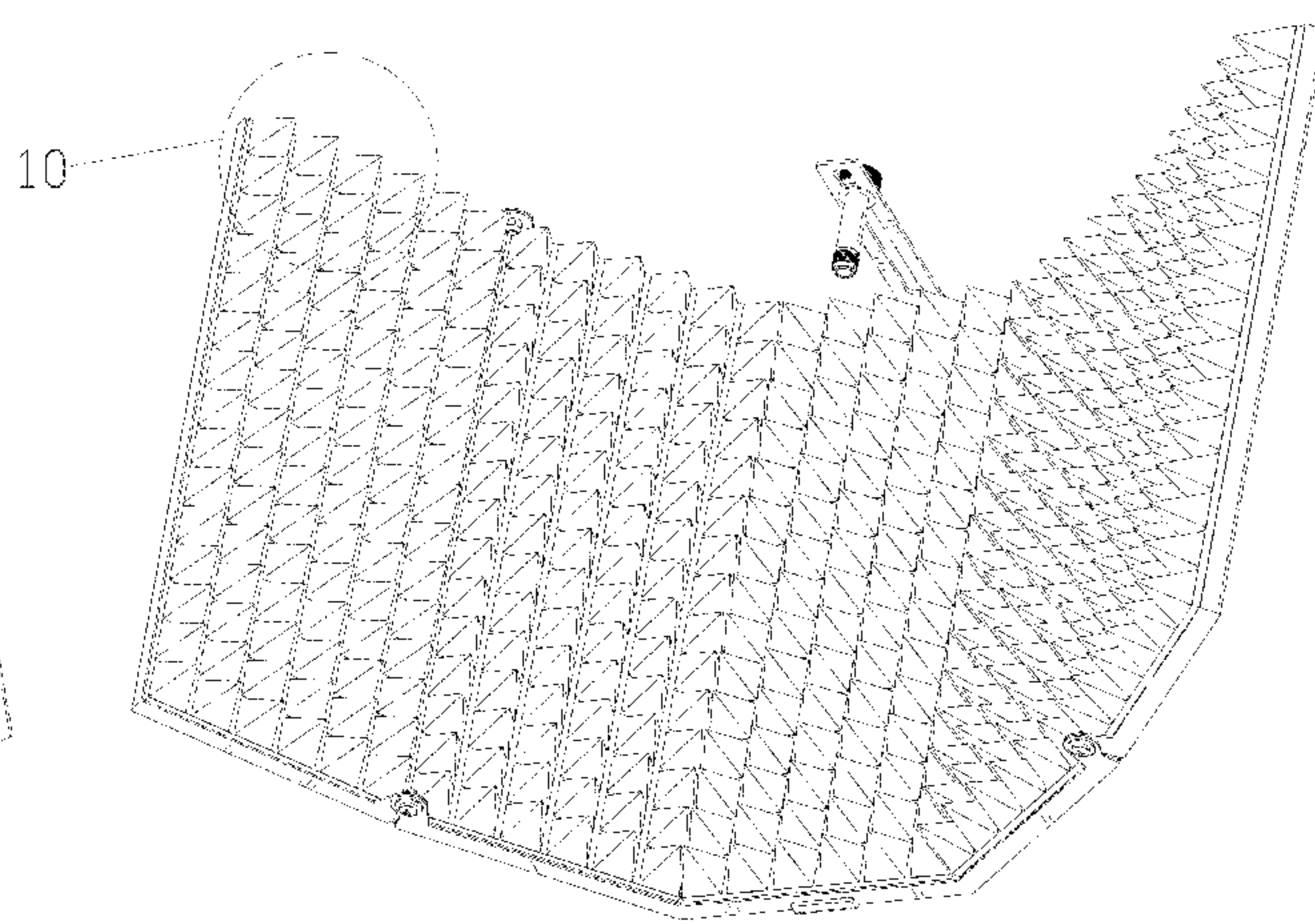
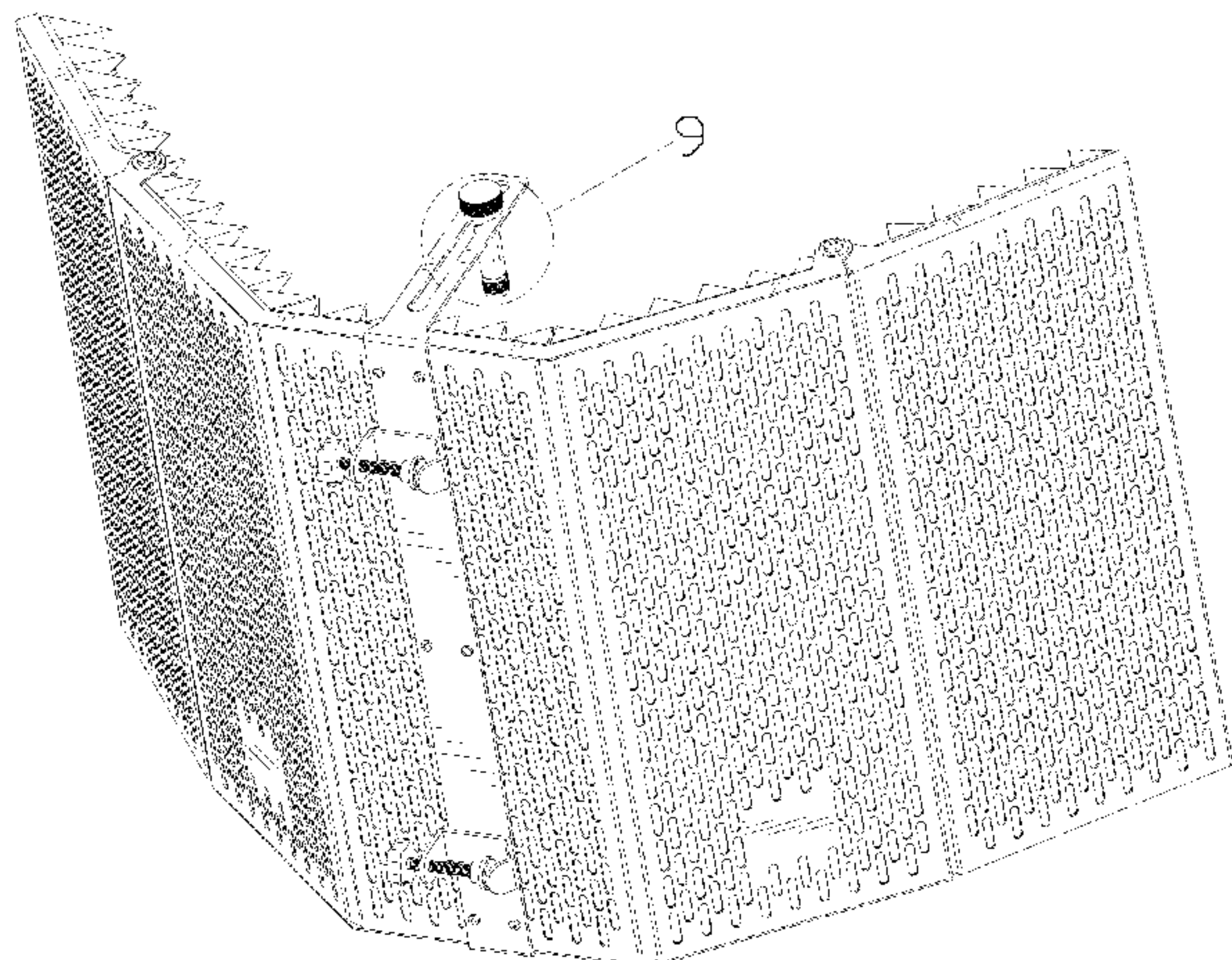
(57) **CLAIM**

The ornamental design for the microphone isolation shield, as shown and described.

**DESCRIPTION**

FIG. 1 is a perspective view of a microphone isolation shield showing my new design;  
FIG. 2 is another perspective view thereof;  
FIG. 3 is a front elevational view thereof;  
FIG. 4 is a rear elevational view thereof;  
FIG. 5 is a left side elevational view thereof;  
FIG. 6 is a right side elevational view thereof;  
FIG. 7 is a top plan view thereof;  
FIG. 8 is a bottom plan view thereof;  
FIG. 9 is an enlarged view of portion 9 shown in FIG. 1; and,  
FIG. 10 is an enlarged view of portion 11 shown in FIG. 2.

**1 Claim, 10 Drawing Sheets**



(56)

References Cited

U.S. PATENT DOCUMENTS

4,118,903 A \* 10/1978 Coulthard ..... F16B 5/0607  
160/351  
4,275,473 A \* 6/1981 Poirier ..... A47C 27/146  
441/128  
4,314,098 A \* 2/1982 Maerfeld ..... H04R 1/406  
181/175  
4,314,280 A \* 2/1982 Rose ..... H04N 5/65  
348/842  
D279,674 S \* 7/1985 Harley ..... D14/251  
4,865,111 A \* 9/1989 Perutz ..... A47F 5/105  
160/135  
4,926,512 A \* 5/1990 Coyle ..... A47C 1/143  
297/377  
4,939,703 A \* 7/1990 Muller ..... G10K 11/20  
181/123  
D314,192 S \* 1/1991 Lawlor ..... D14/450  
5,064,161 A \* 11/1991 Anderson ..... F16M 13/027  
248/317  
5,101,298 A \* 3/1992 Lentz ..... H04N 5/65  
348/834  
5,103,927 A \* 4/1992 Heavener ..... H04R 1/342  
181/158  
5,218,474 A \* 6/1993 Kirschner ..... G06F 1/1603  
348/842  
5,611,384 A \* 3/1997 Carter ..... G09F 15/0068  
160/135  
5,669,089 A \* 9/1997 Dees ..... B25H 5/00  
5/417  
D385,044 S \* 10/1997 Johnson ..... D25/58  
5,748,757 A \* 5/1998 Kubli ..... H04R 1/406  
381/160  
6,256,837 B1 \* 7/2001 Lan ..... B60R 11/0235  
16/334  
6,336,613 B1 \* 1/2002 Roth ..... F21V 17/02  
248/27.1  
D456,328 S \* 4/2002 Meier ..... D12/182  
6,393,129 B1 \* 5/2002 Conrad ..... H04R 19/00  
381/191  
D458,041 S \* 6/2002 Couture ..... D6/332  
6,633,347 B2 \* 10/2003 Kitazawa ..... B60K 35/00  
348/837

D482,644 S \* 11/2003 Meier ..... D12/182  
D514,582 S \* 2/2006 Dulberger ..... D14/449  
D614,318 S \* 4/2010 Lodhie ..... D26/1  
7,690,158 B2 \* 4/2010 Kelly ..... E04B 2/7429  
52/145  
8,136,626 B1 \* 3/2012 Aliev ..... E04H 1/125  
181/198  
8,251,175 B1 \* 8/2012 Englert ..... E04B 1/86  
181/292  
8,336,670 B2 \* 12/2012 Viehmann ..... H04R 29/004  
181/198  
8,347,575 B2 \* 1/2013 Bierwirth ..... E04F 15/182  
52/403.1  
8,387,747 B2 \* 3/2013 Koike ..... G10K 11/162  
181/290  
D698,759 S \* 2/2014 Behar ..... D14/219  
8,670,581 B2 \* 3/2014 Harman ..... H04R 19/02  
381/191  
8,845,016 B2 \* 9/2014 Domash ..... A47C 7/72  
297/184.15  
D721,060 S \* 1/2015 Komagamine ..... D14/216  
D740,784 S \* 10/2015 O'Polka ..... D14/204  
9,421,208 B2 \* 8/2016 Balasubramanian .. A61K 45/06  
9,525,765 B2 \* 12/2016 Moser ..... G10K 11/17861  
D782,459 S \* 3/2017 Shannon, III ..... D14/250  
D787,481 S \* 5/2017 Tysso ..... D14/229  
D823,825 S \* 7/2018 Flores  
D865,723 S \* 11/2019 Cho ..... H04R 31/00  
D14/225  
2004/0134162 A1 \* 7/2004 Douglas ..... E04B 1/12  
52/741.1  
2007/0267248 A1 \* 11/2007 Gudim ..... E04B 1/8409  
181/293  
2009/0185374 A1 \* 7/2009 Wu ..... F21S 8/086  
362/249.06  
2011/0116661 A1 5/2011 Makihata et al.  
2011/0164761 A1 \* 7/2011 McCowan ..... H04R 3/005  
381/92  
2012/0155688 A1 \* 6/2012 Wilson ..... H04R 7/26  
381/354  
2013/0206501 A1 \* 8/2013 Yu ..... E04B 9/001  
181/290

\* cited by examiner



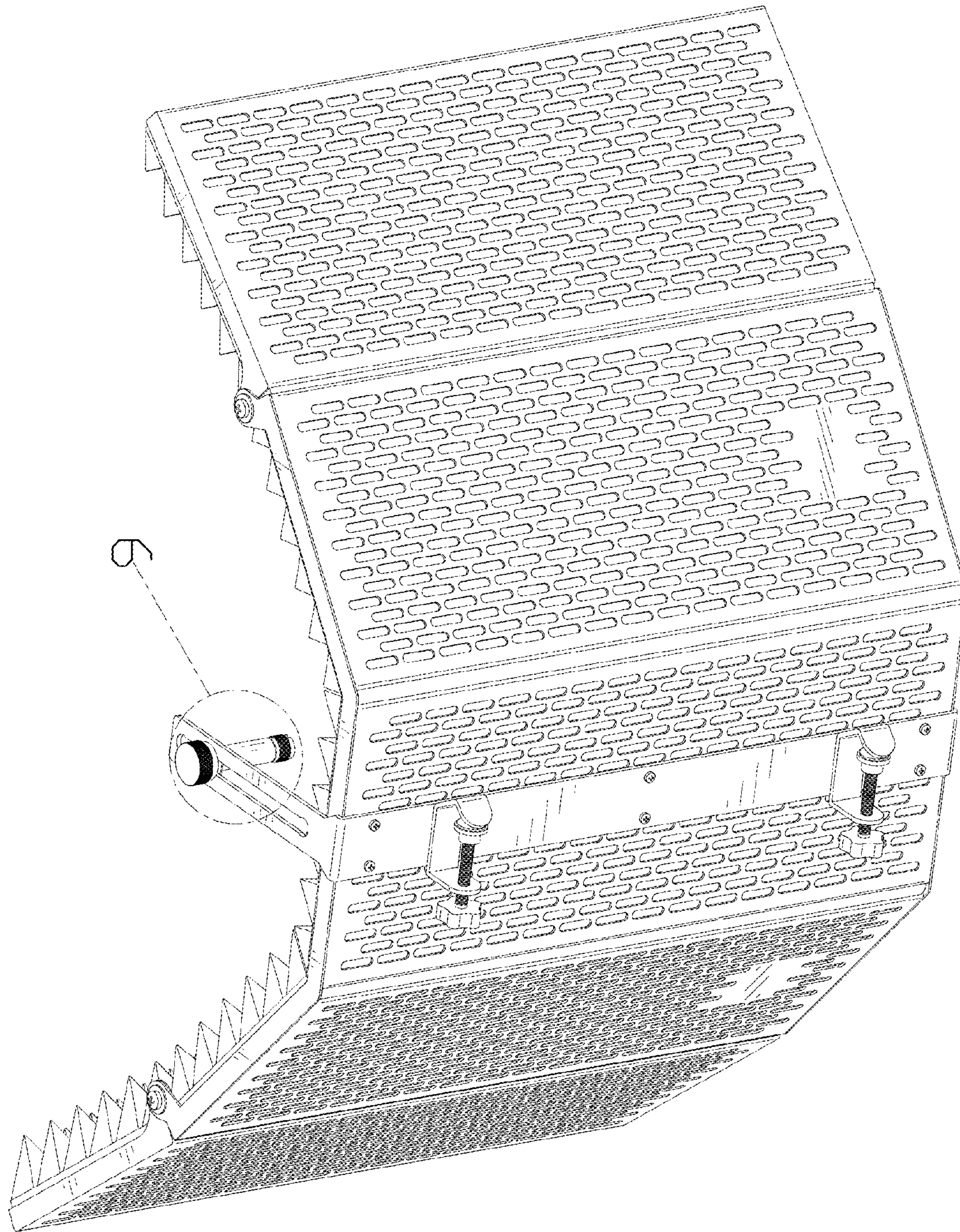


FIG. 1



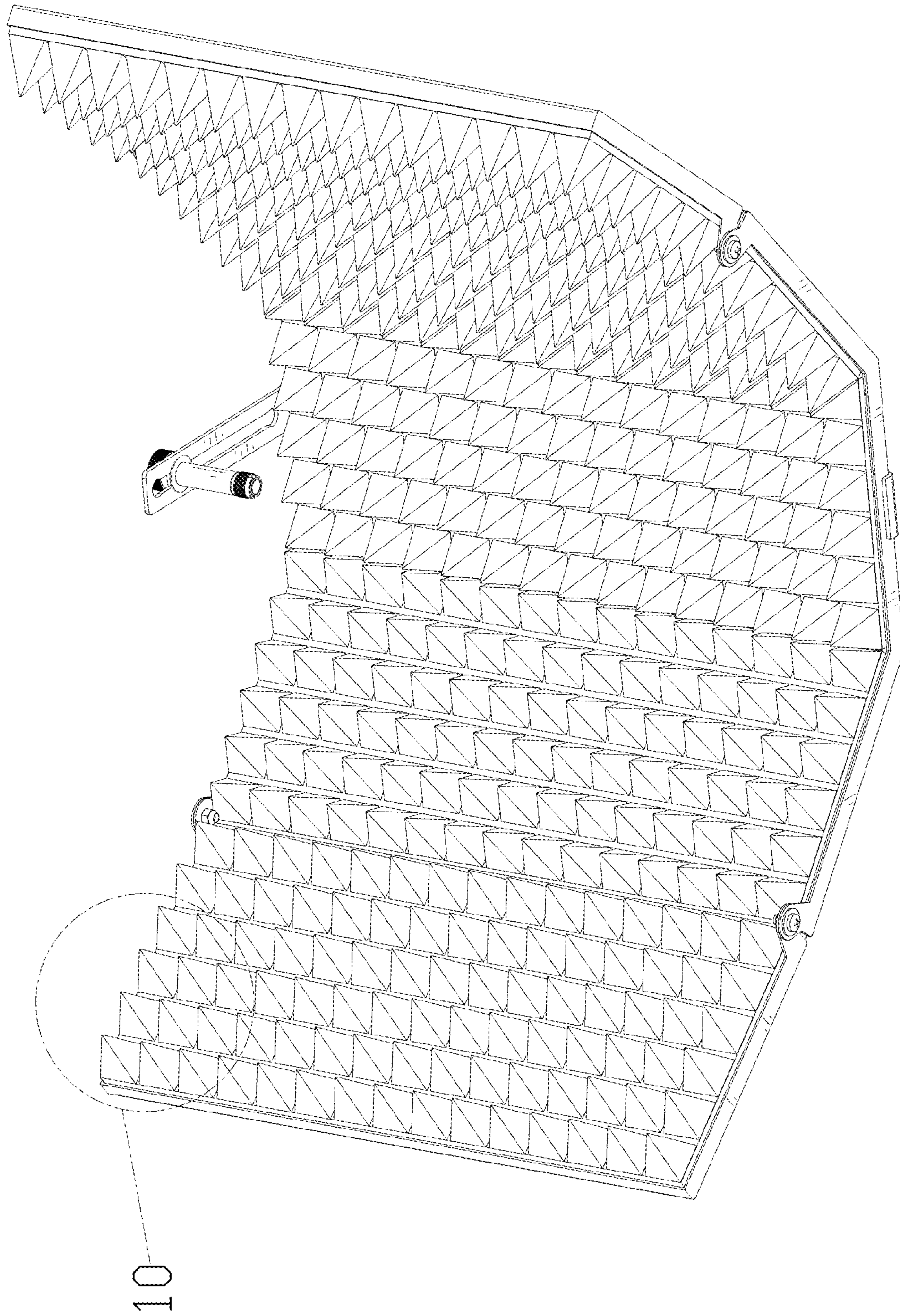


FIG. 2



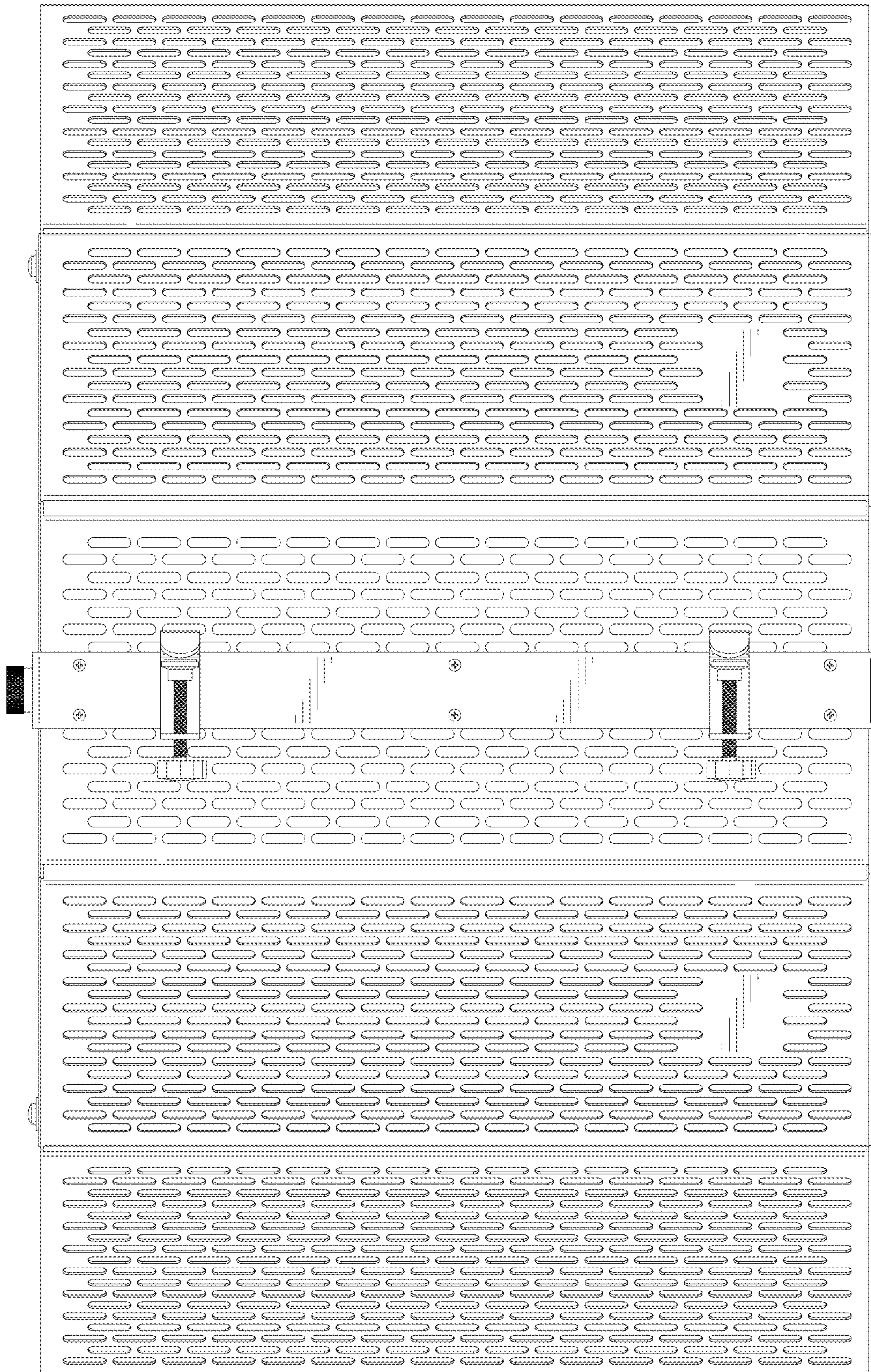


FIG. 3



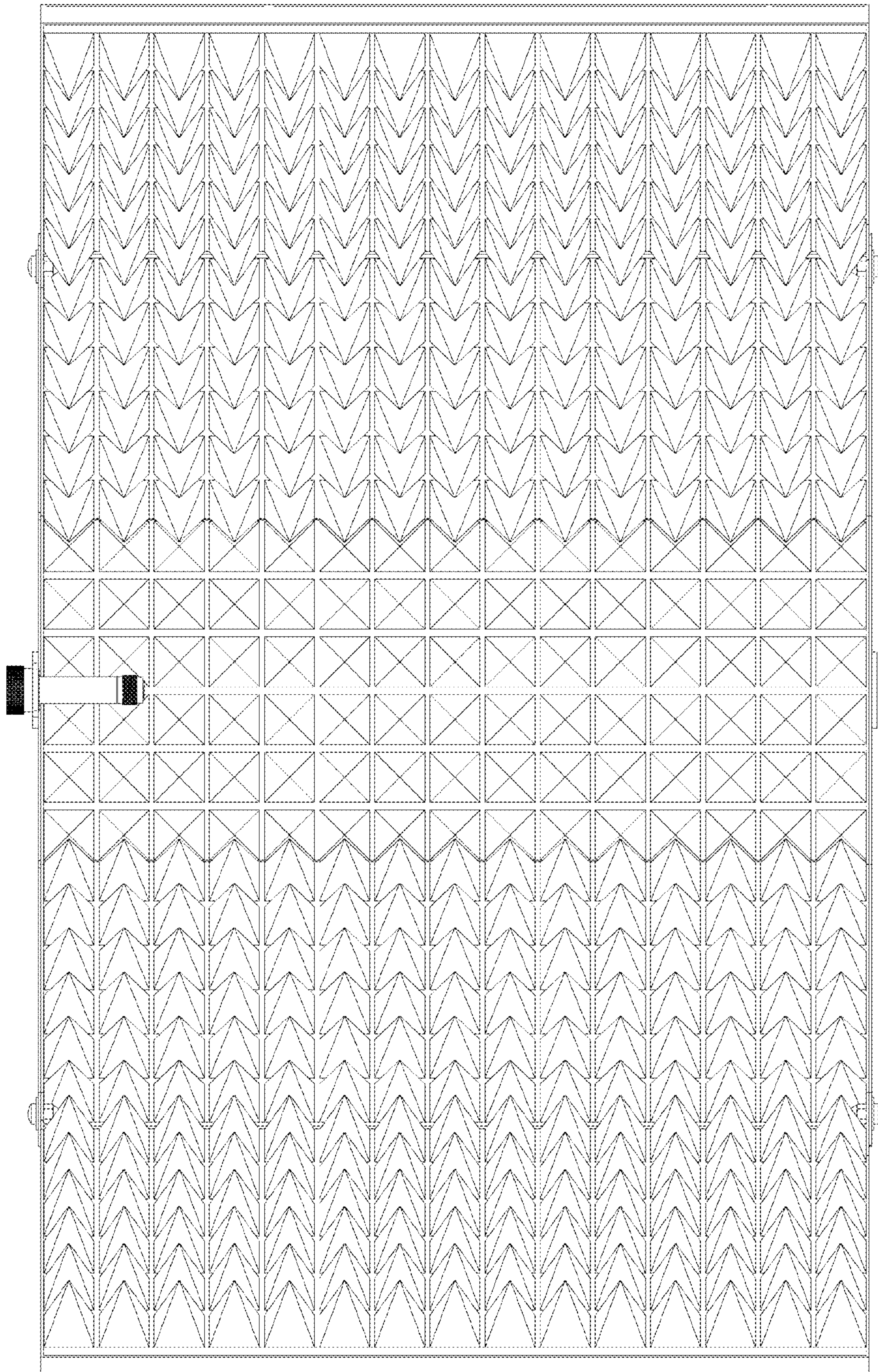


FIG. 4



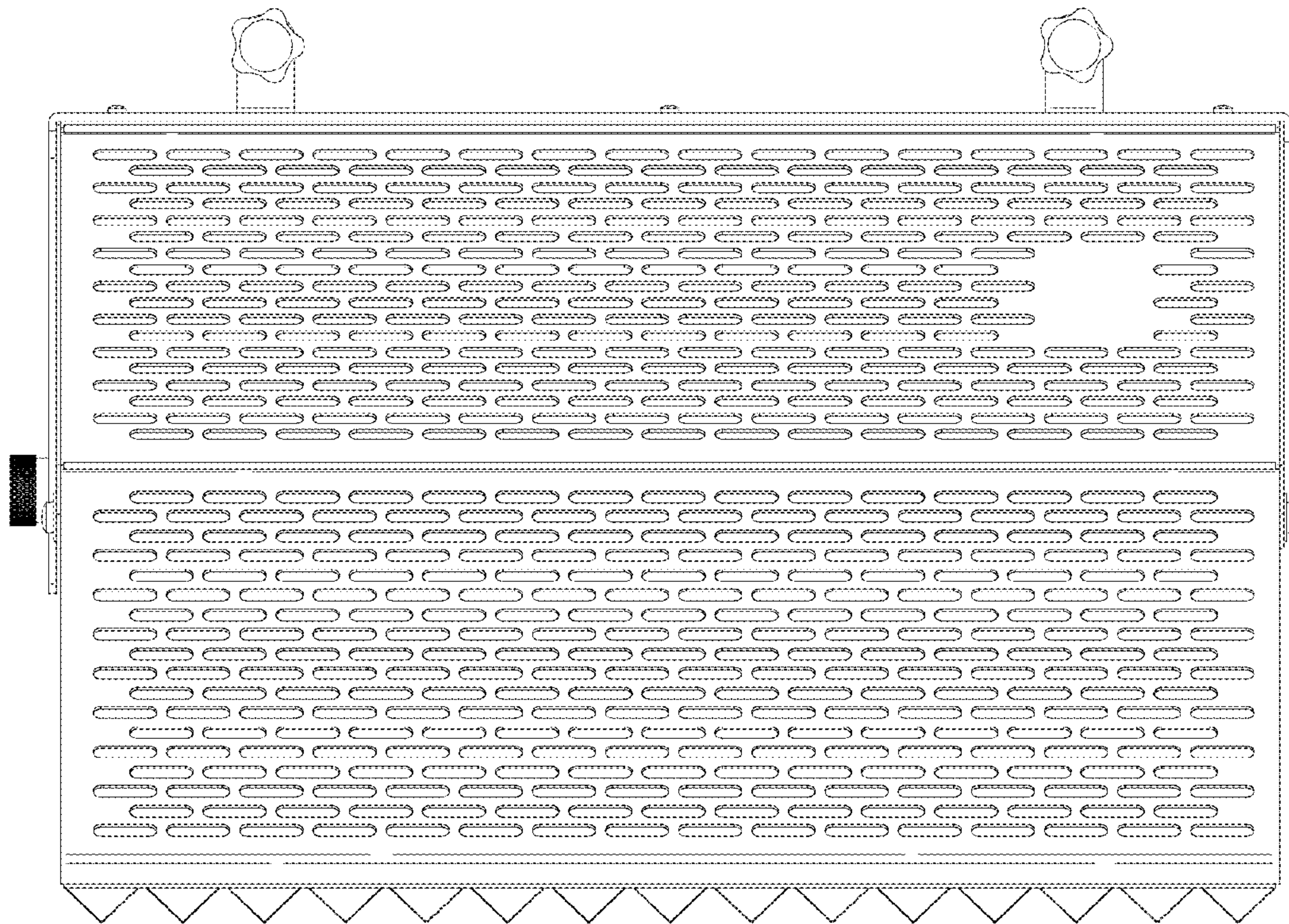


FIG. 5

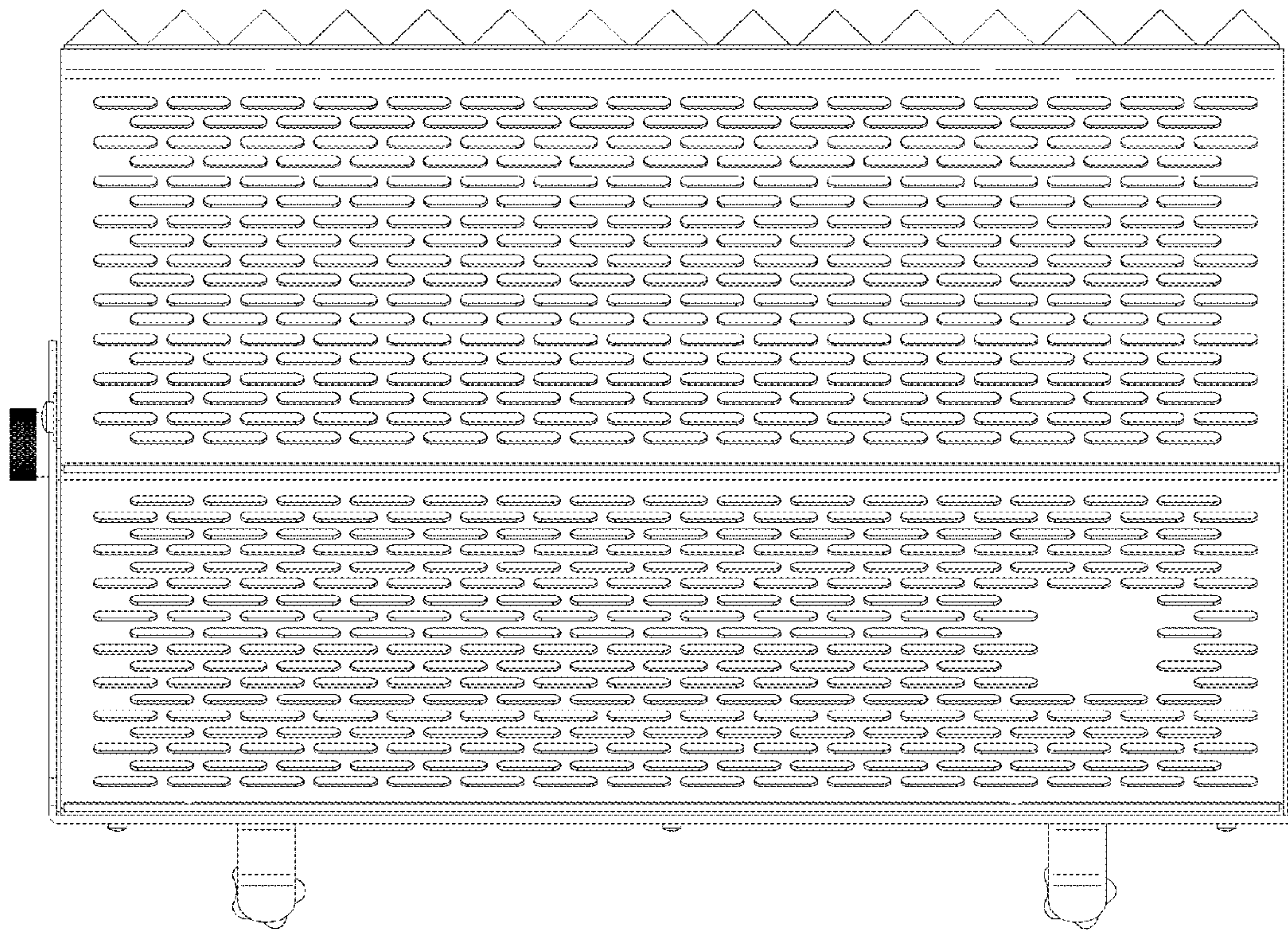


FIG. 6



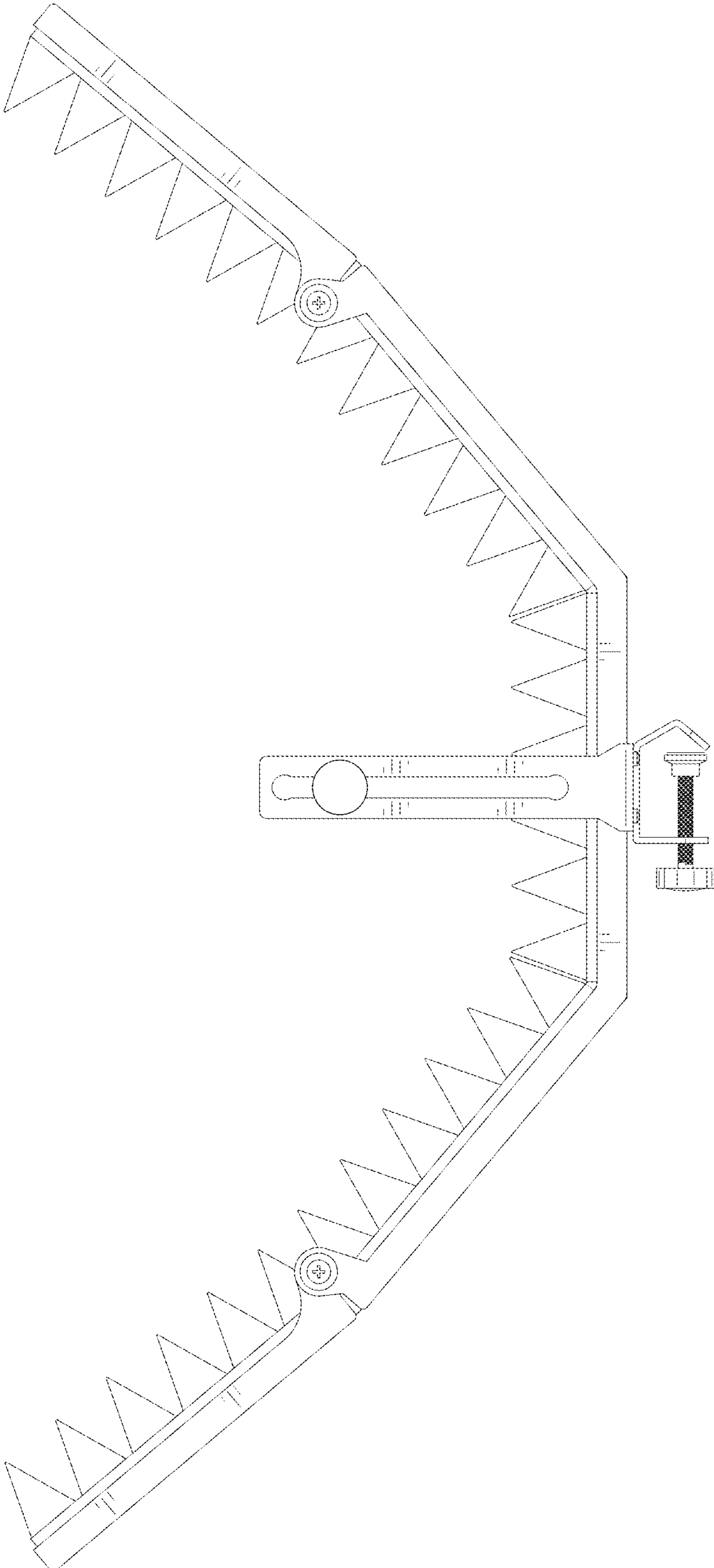


FIG. 7



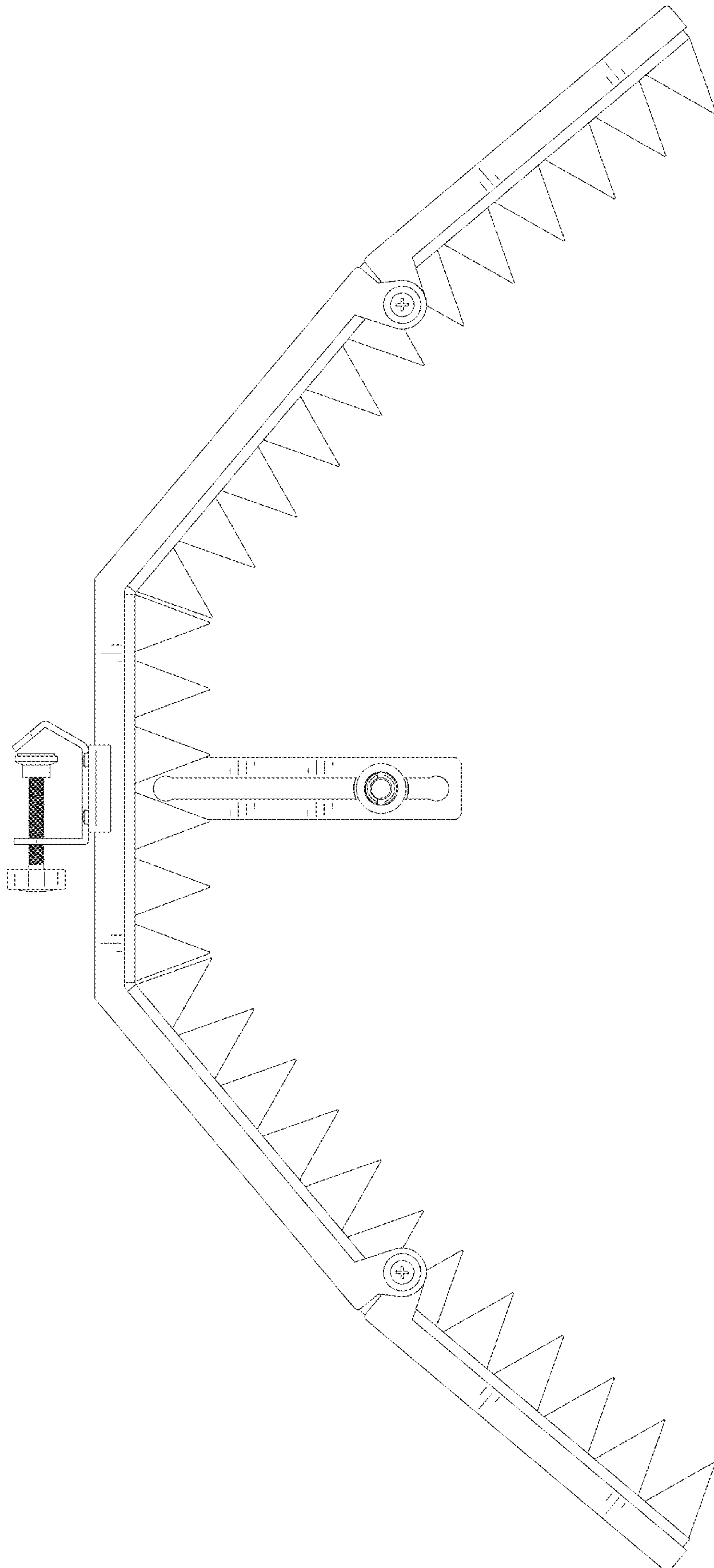


FIG. 8



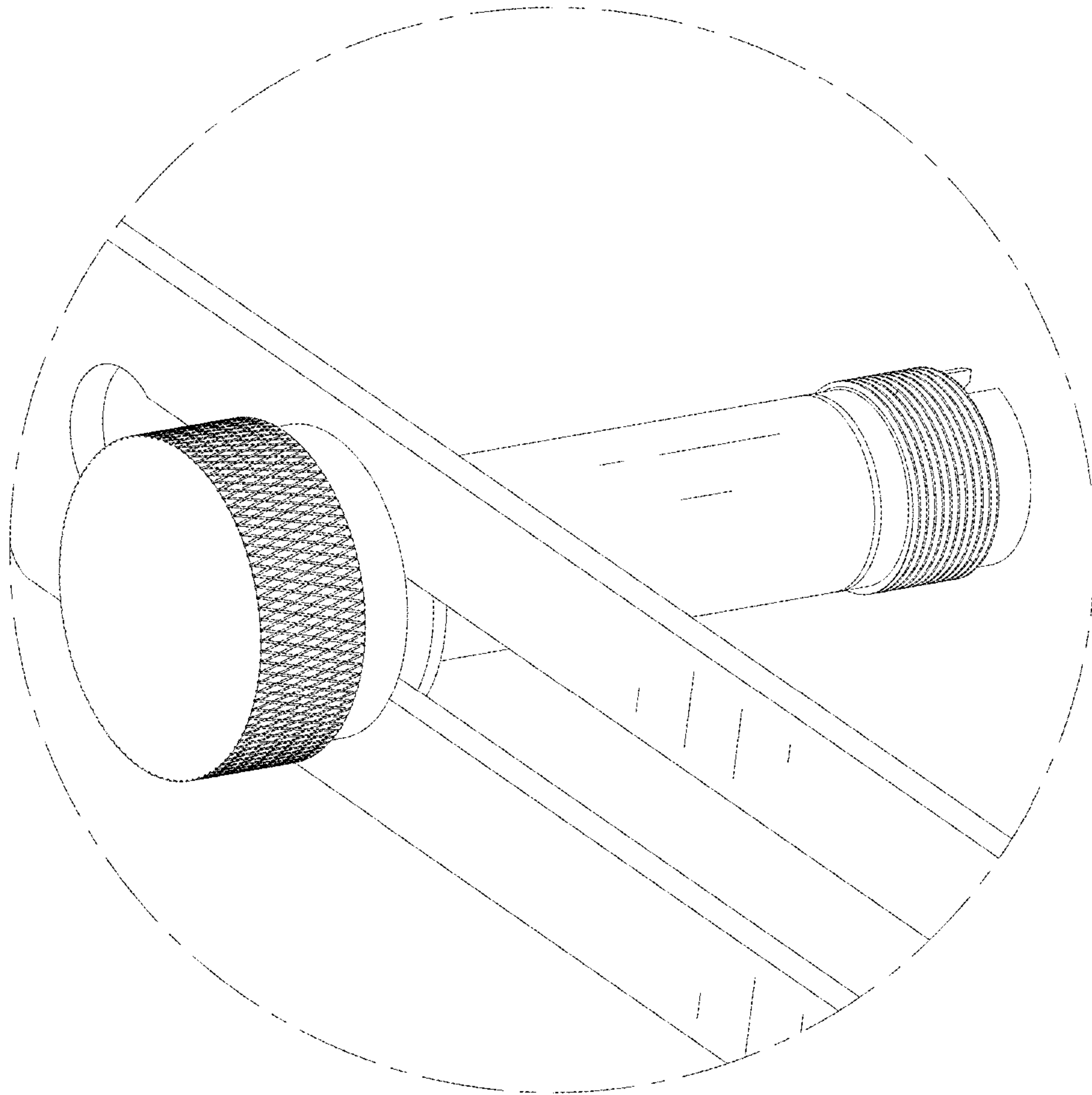


FIG. 9



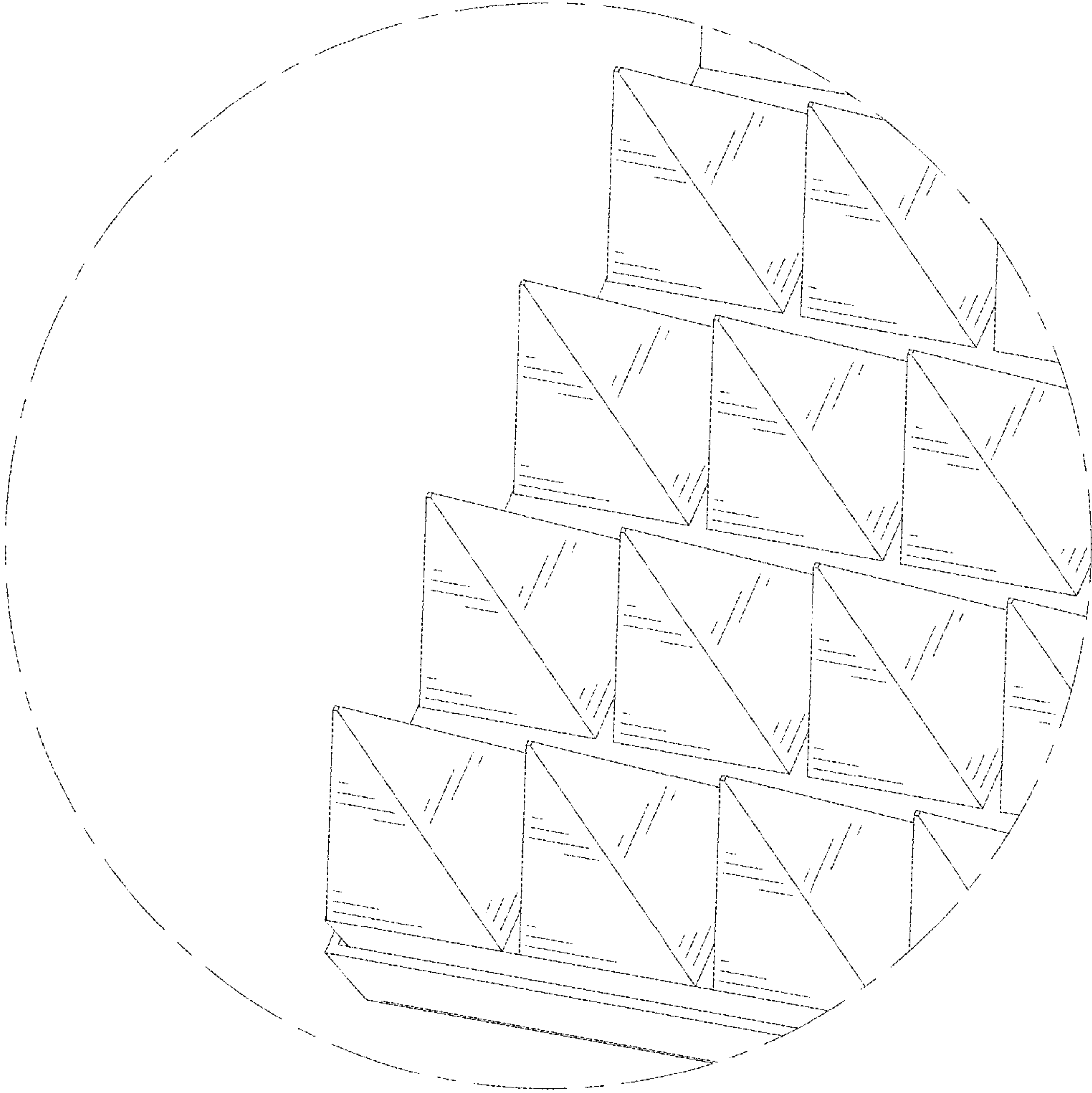


FIG. 10