



US00D905019S

(12) **United States Design Patent**
Liu

(10) **Patent No.:** **US D905,019 S**

(45) **Date of Patent:** **** Dec. 15, 2020**

(54) **EARPHONES**

(71) Applicant: **SHENZHEN SHENGYUANSHENG TECHNOLOGY CO., LTD.**, Shenzhen (CN)

(72) Inventor: **Peijun Liu**, Shenzhen (CN)

(73) Assignee: **SHENZHEN SHENGYUANSHENG TECHNOLOGY CO., LTD.**, Shenzhen (CN)

(**) Term: **15 Years**

(21) Appl. No.: **29/741,804**

(22) Filed: **Jul. 15, 2020**

(51) **LOC (12) Cl.** **14-01**

(52) **U.S. Cl.**
USPC **D14/223**

(58) **Field of Classification Search**
USPC D14/223, 205; D24/174; 128/864–866; 381/380, 381, 322, 328; 455/90.3, 575.1, 455/569.1

CPC H04R 1/10; H04R 25/00; H04R 25/02; H04R 1/1066; H04R 1/1016; H04R 5/033; H04R 5/0335; H04R 1/105; H04R 1/1091; H04R 1/1058; H04R 1/1083

See application file for complete search history.

(56) **References Cited**

U.S. PATENT DOCUMENTS

D485,548 S *	1/2004	Obata	D14/223
D487,077 S *	2/2004	Obata	D14/223
D519,107 S *	4/2006	Yang	D14/223
D554,109 S *	10/2007	Ledbetter et al.	D14/223
D583,804 S *	12/2008	Mahler et al.	D14/223
D586,332 S *	2/2009	Ewert et al.	D14/223
D593,537 S *	6/2009	Arimoto	D14/205
D619,122 S *	7/2010	Nomura	D14/223
D626,948 S *	11/2010	Nault	D14/223

D627,765 S *	11/2010	Zheng	D14/223
D633,086 S *	2/2011	Chen	D14/223
D656,481 S *	3/2012	McManigal	D14/205
D662,493 S *	6/2012	Chen	D14/223
D687,418 S *	8/2013	Godfrey	D14/223
D695,721 S *	12/2013	Thompson	D14/223
D696,230 S *	12/2013	Burgett	D14/223
D711,857 S *	8/2014	Burgett	D14/223
D718,285 S *	11/2014	Shibusawa	D14/223
D733,689 S *	7/2015	Narita	D14/223
D738,864 S *	9/2015	Lee	D14/223
D742,860 S *	11/2015	Miyake	D14/223
D755,759 S *	5/2016	Cai	D14/223
D757,682 S *	5/2016	Perez	D14/205

(Continued)

FOREIGN PATENT DOCUMENTS

EM	007718218-0001	*	2/2020
EM	008019160-0001	*	6/2020
EM	008147557-0002	*	8/2020

Primary Examiner — Paula Allen Greene

(57) **CLAIM**

The ornamental design for earphones, as shown and described.

DESCRIPTION

FIG. 1 is a perspective view of earphones showing my new design;

FIG. 2 is another perspective view thereof;

FIG. 3 is a front elevational view thereof;

FIG. 4 is a rear elevational view thereof;

FIG. 5 is a left side elevational view thereof;

FIG. 6 is a right side elevational view thereof;

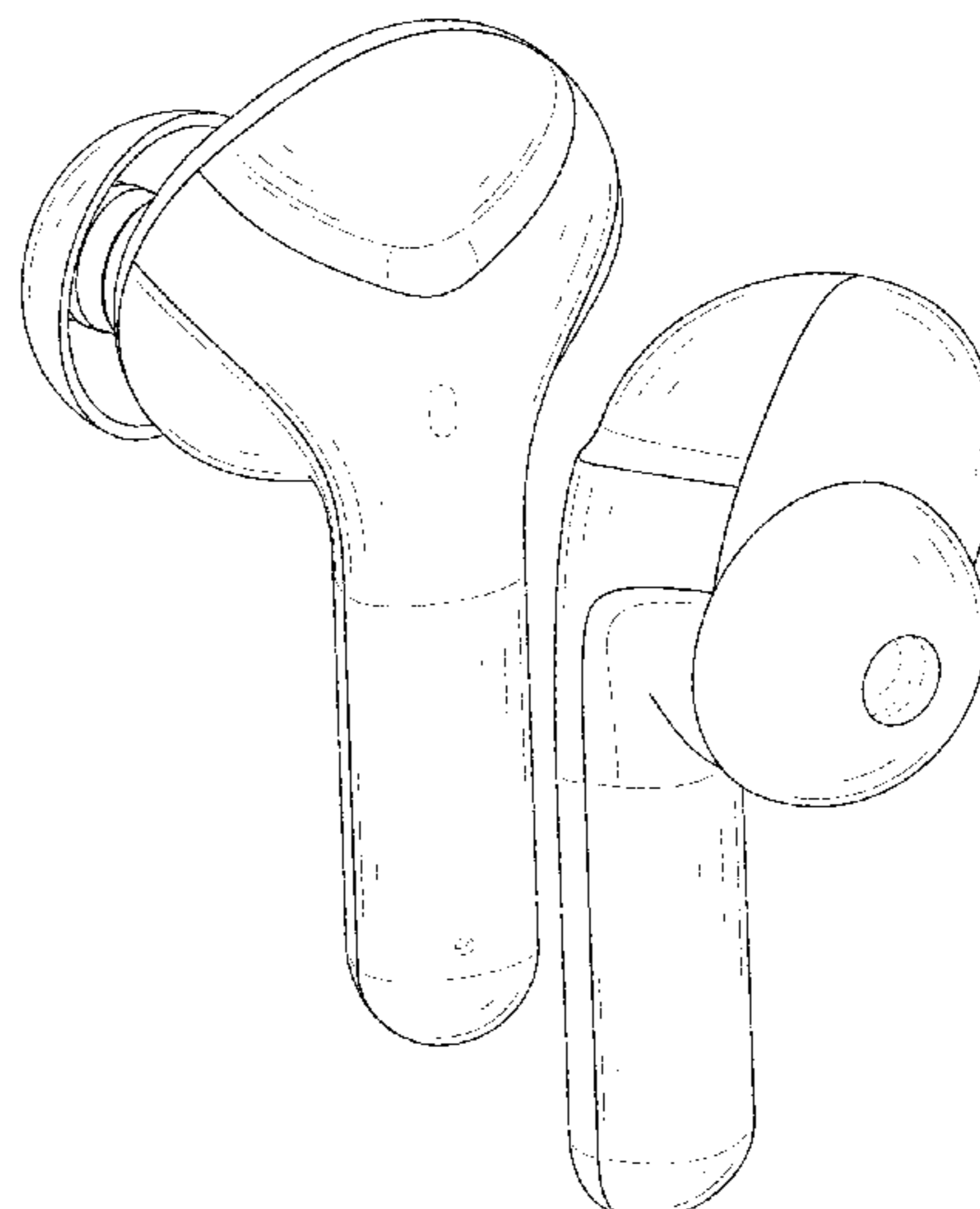
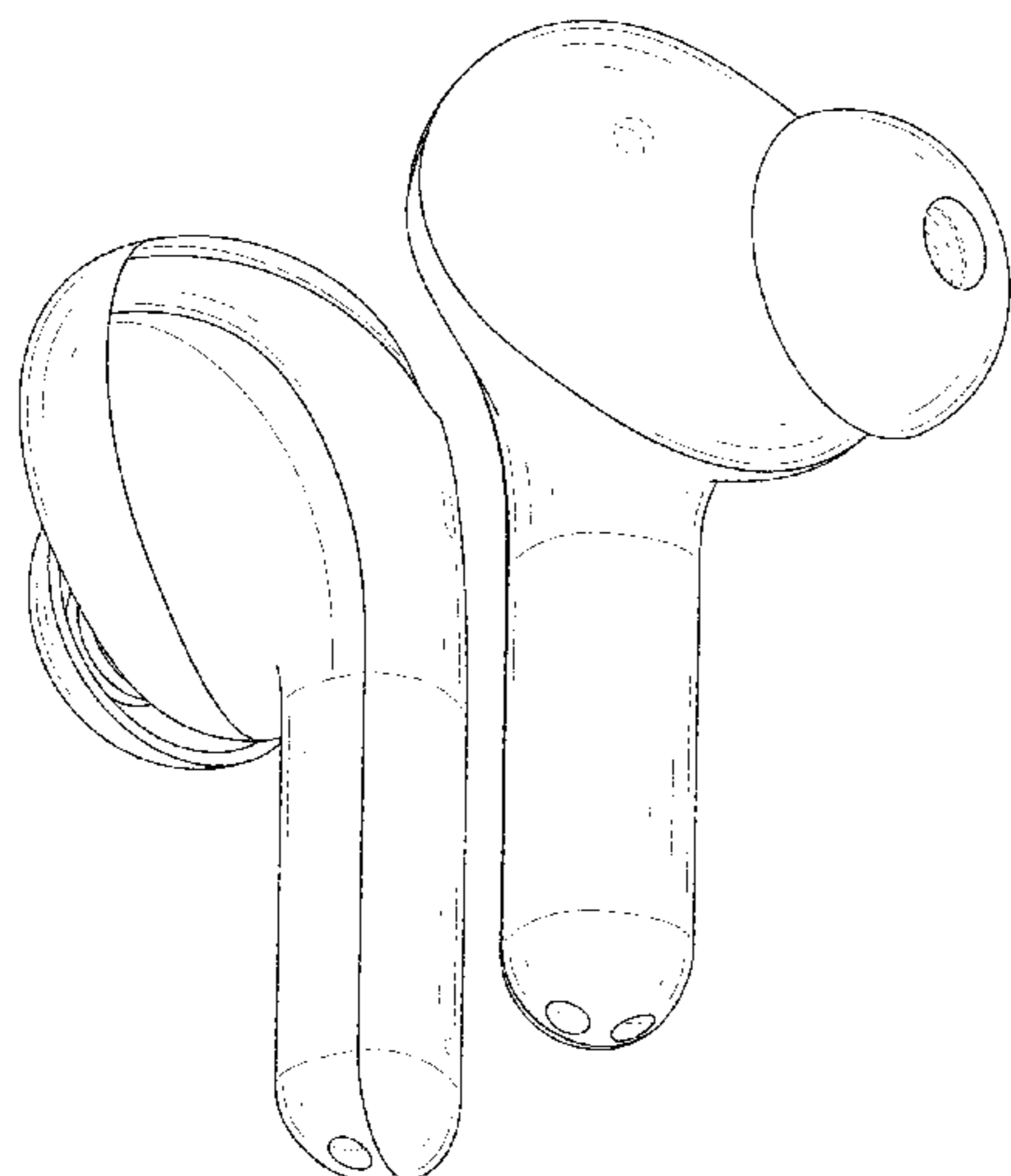
FIG. 7 is a top plan view thereof;

FIG. 8 is a bottom plan view thereof; and,

FIG. 9 is a perspective view of the earphones where the earphones are received in a case.

The broken lines in the drawings depict portions of the earphones that form no part of the claimed design.

1 Claim, 9 Drawing Sheets



(56)

References Cited

U.S. PATENT DOCUMENTS

D801,314 S	*	10/2017	Akana	D14/223
D803,184 S	*	11/2017	Loh Jun Kern	D14/205
D820,809 S	*	6/2018	Akana	D14/205
D821,362 S	*	6/2018	Vaclavik	D14/223
D830,336 S	*	10/2018	Cai	D14/205
D830,345 S	*	10/2018	Cai	D14/223
D832,823 S	*	11/2018	Xiao	D14/223
D832,824 S	*	11/2018	Kim	D14/223
D845,932 S	*	4/2019	Lu	D14/223
D847,125 S	*	4/2019	Akana	D14/223
D847,794 S	*	5/2019	Guo	D14/223
D847,795 S	*	5/2019	Kim	D14/223
D848,983 S	*	5/2019	Kim	D14/223
D853,995 S	*	7/2019	Cai	D14/223
D861,647 S	*	10/2019	Chen	D14/223
D863,262 S	*	10/2019	Roberts	D14/223
D864,165 S	*	10/2019	Roberts	D14/223
D865,720 S	*	11/2019	Deng	D14/223
D869,445 S	*	12/2019	Hu	D14/223
D872,711 S	*	1/2020	Hu	D14/223
D883,260 S	*	5/2020	Hu	D14/223
D883,960 S		5/2020	Du	
D884,682 S		5/2020	Du	
D887,396 S	*	6/2020	Wang	D14/223
D890,138 S	*	7/2020	Peng	D14/223
D893,462 S	*	8/2020	Liu	D14/223
D894,875 S	*	9/2020	Zhao	D14/223
D895,579 S	*	9/2020	Yang	D14/223
D895,582 S	*	9/2020	Wu	D14/223
D896,206 S	*	9/2020	Xu	D14/223
D897,998 S	*	10/2020	Ma	D14/223
2009/0233652 A1	*	9/2009	Yang	H04R 1/1075
				455/569.1
2012/0003937 A1	*	1/2012	Zhong	H04M 1/6066
				455/41.3

* cited by examiner



FIG. 1

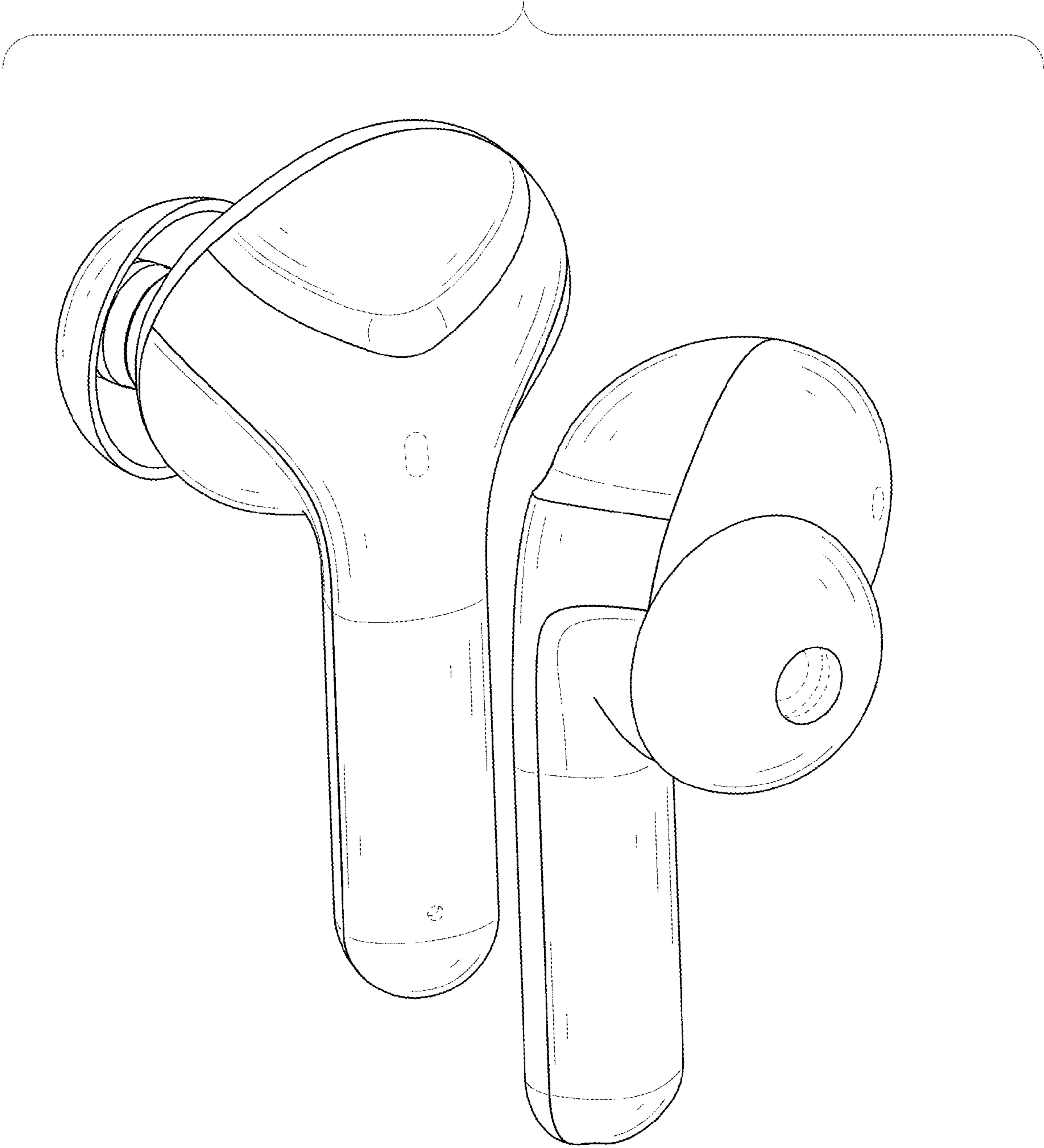


FIG. 2

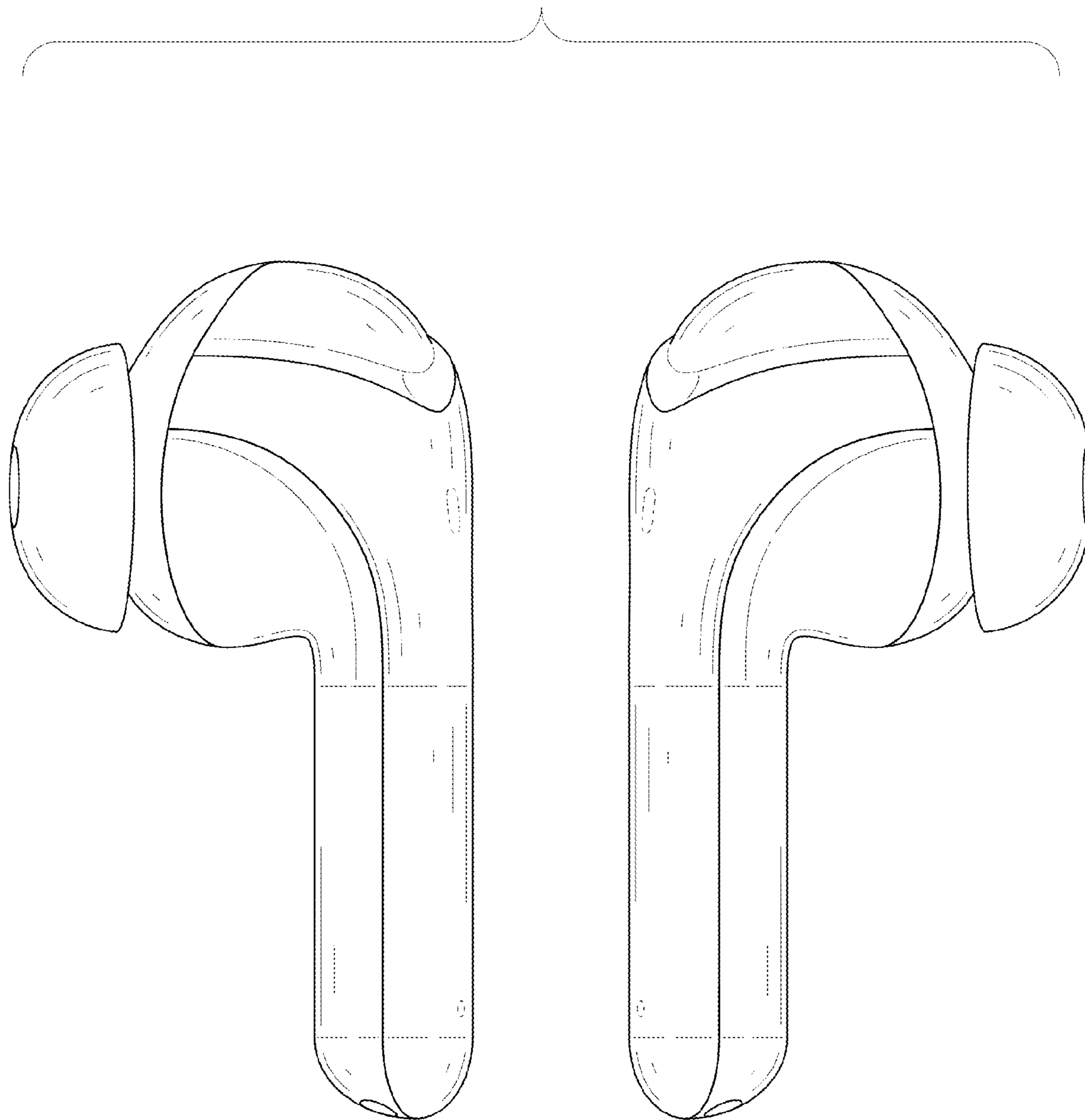


FIG. 3

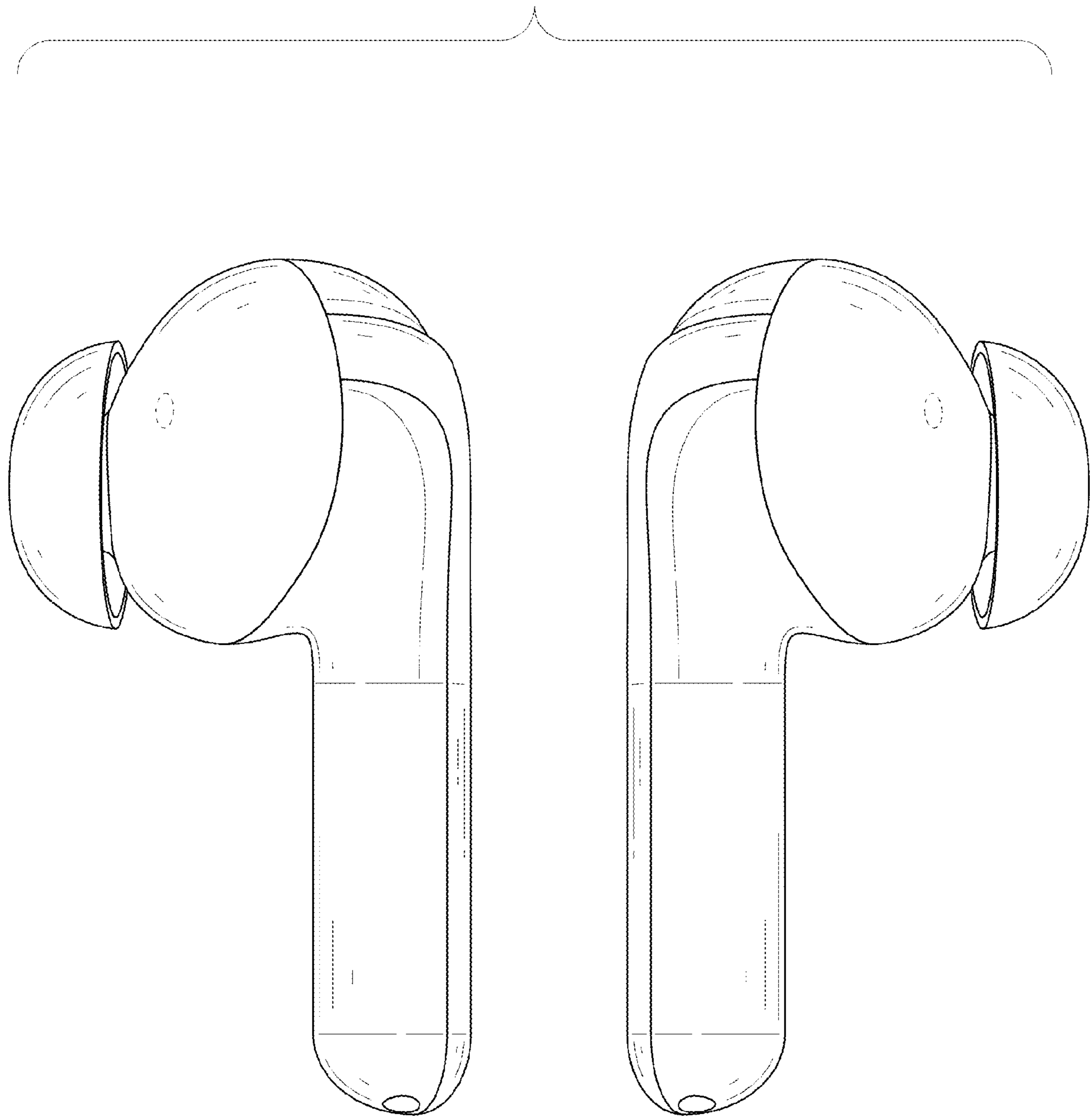


FIG. 4

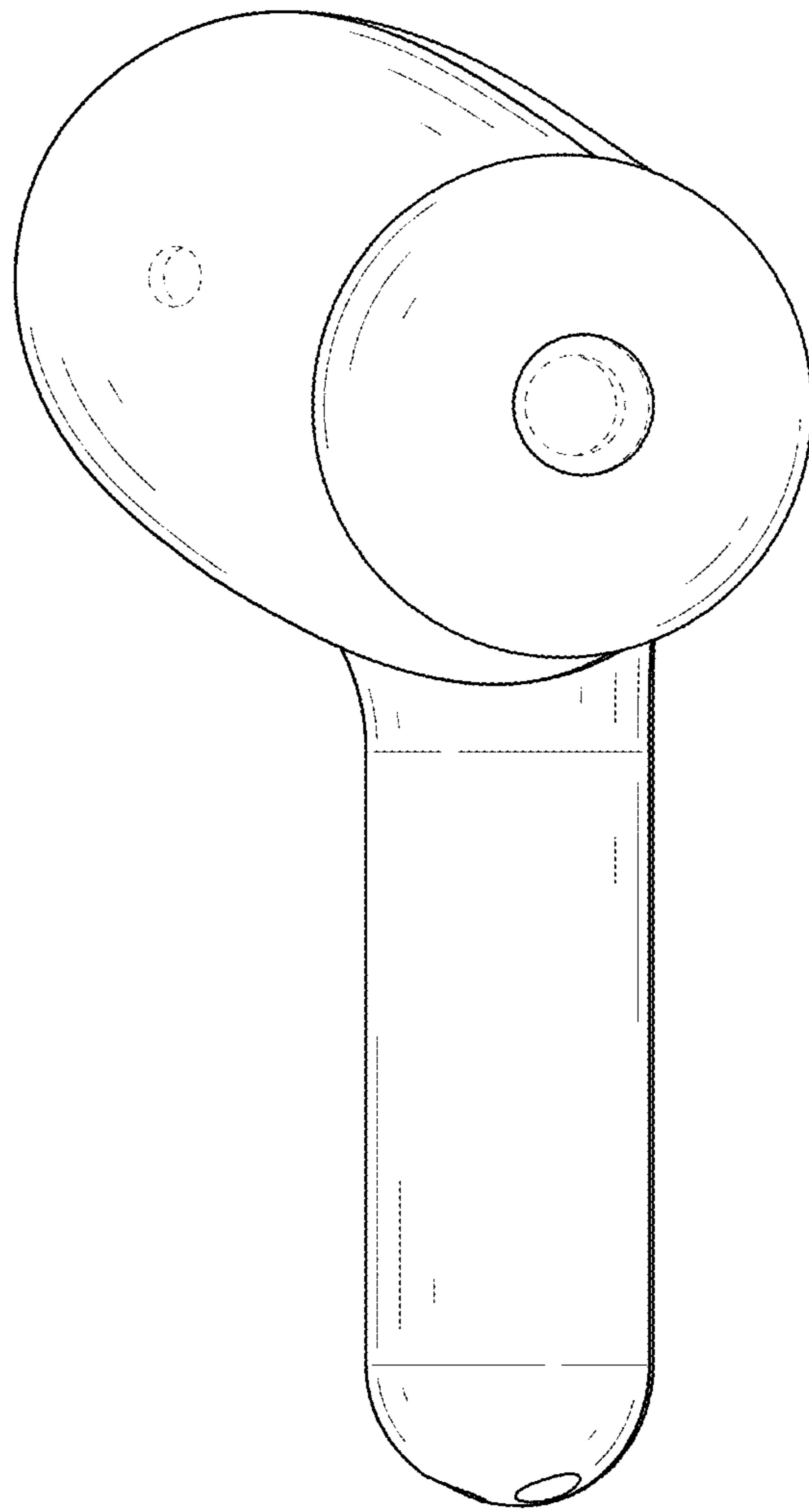


FIG. 5

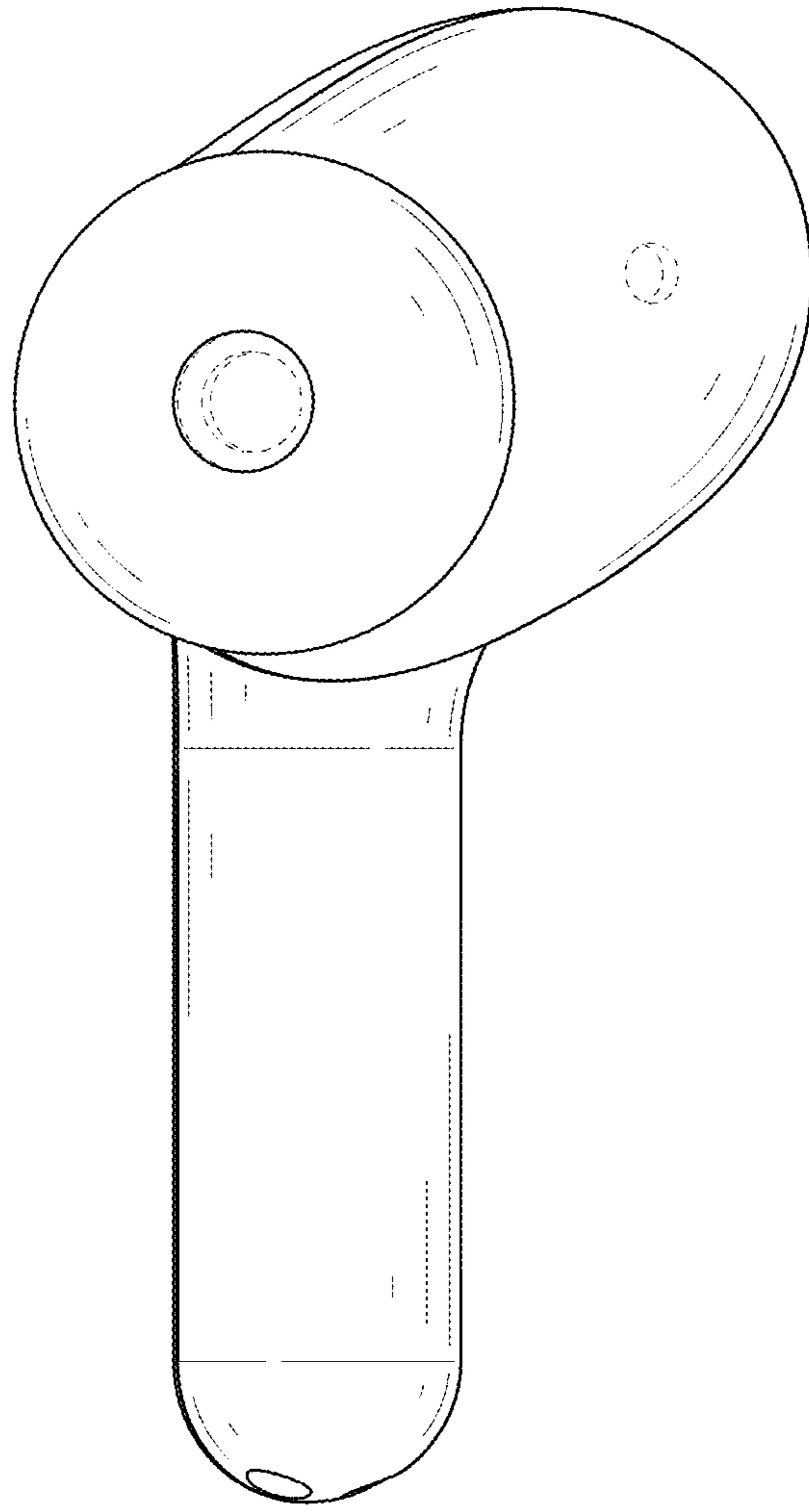


FIG. 6

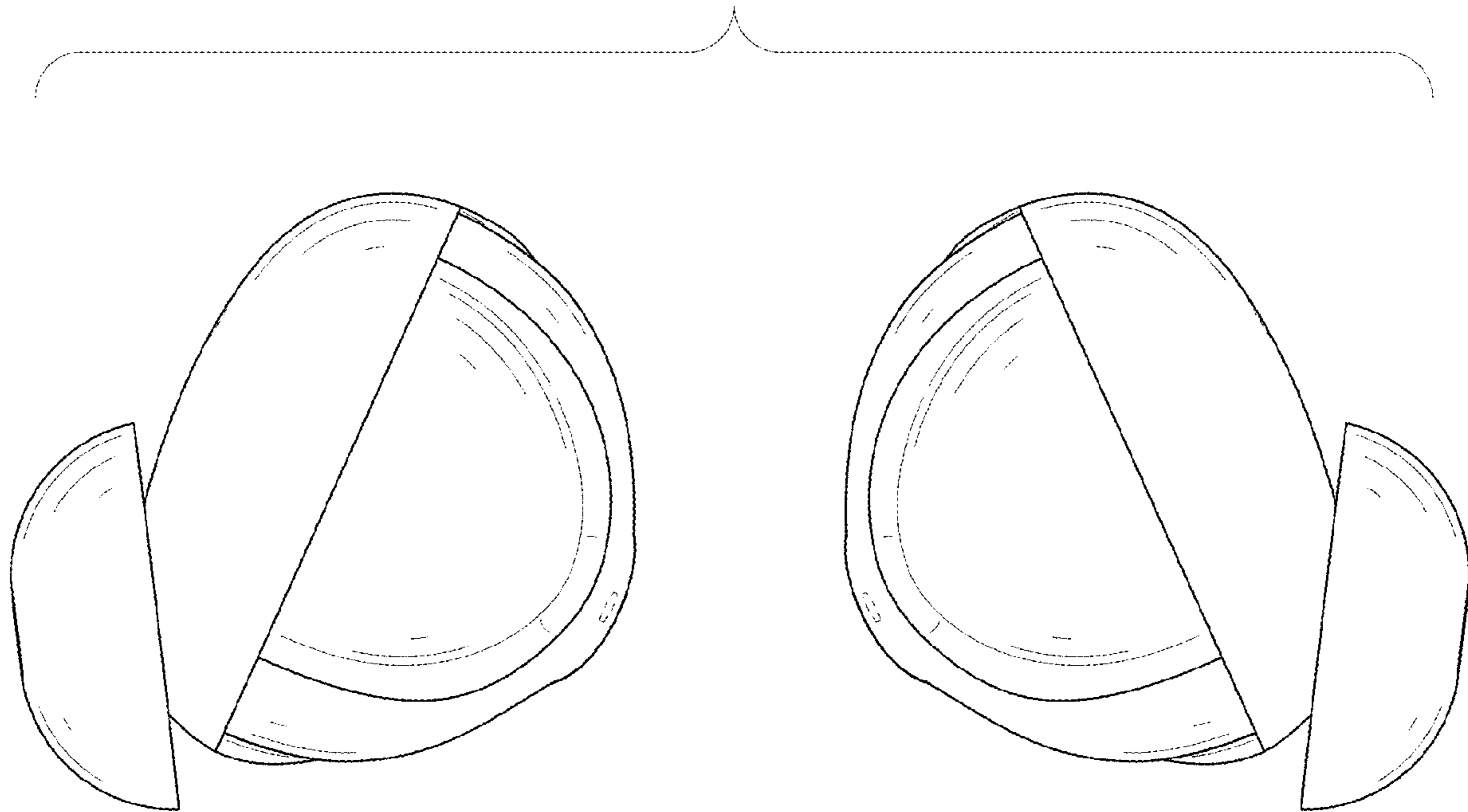


FIG. 7

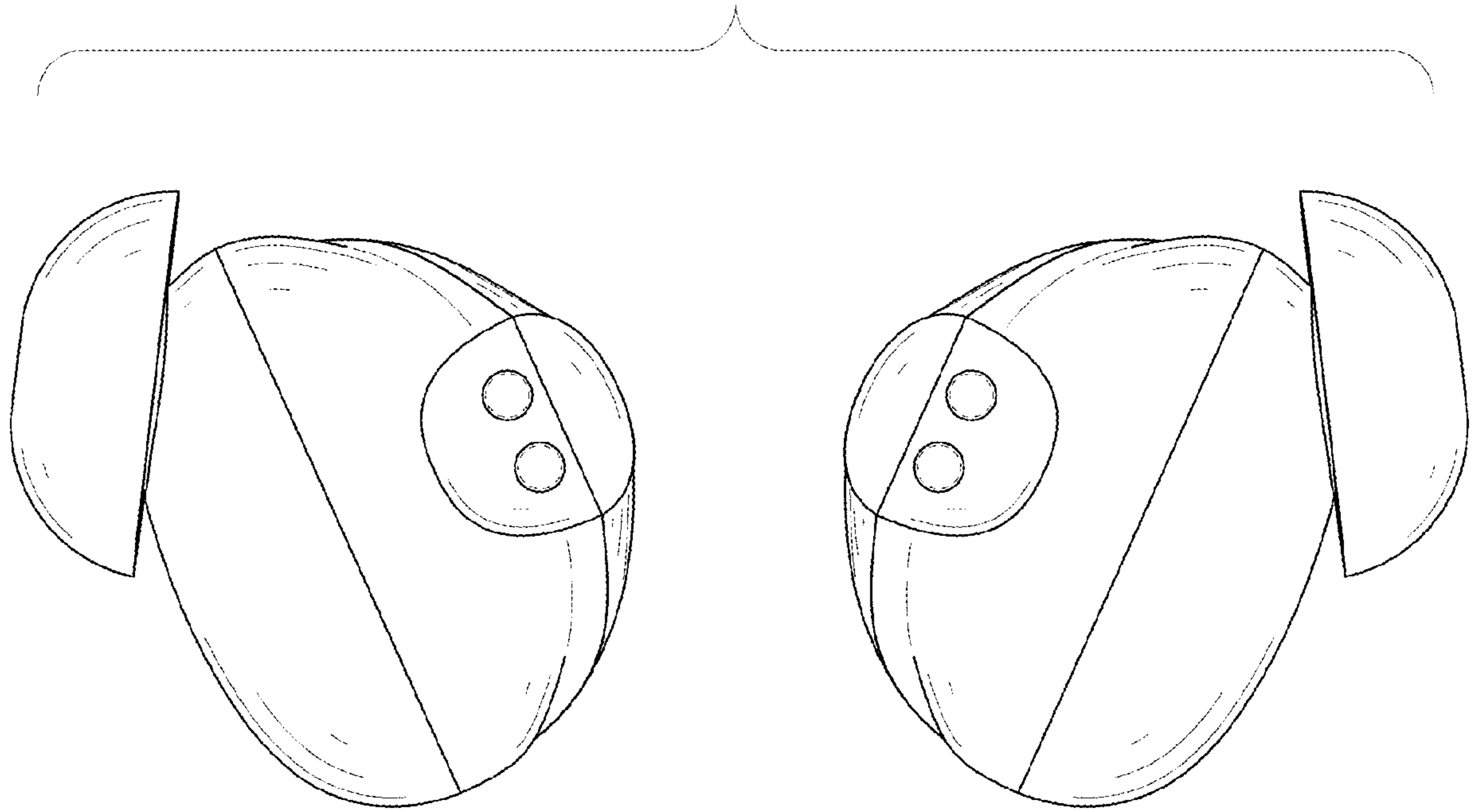


FIG. 8

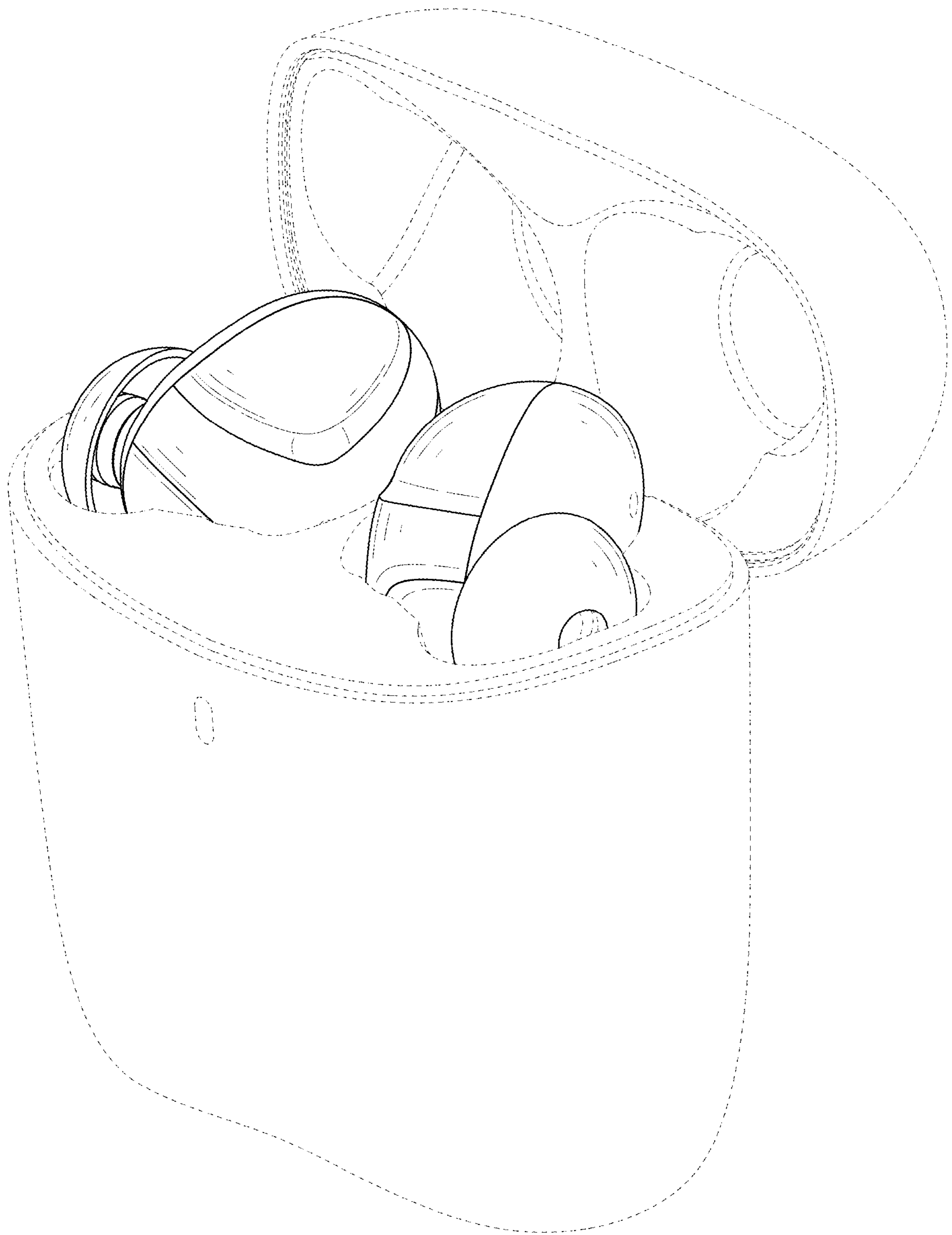


FIG. 9