



US00D905018S

(12) **United States Design Patent** (10) **Patent No.:** **US D905,018 S**
Zhu (45) **Date of Patent:** **** Dec. 15, 2020**

(54) **EARPHONE**
(71) Applicant: **Zhaowei Zhu**, Xianyou (CN)
(72) Inventor: **Zhaowei Zhu**, Xianyou (CN)
(**) Term: **15 Years**
(21) Appl. No.: **29/729,356**
(22) Filed: **Mar. 26, 2020**
(51) **LOC (12) Cl.** **14-01**
(52) **U.S. Cl.**
USPC **D14/223**
(58) **Field of Classification Search**
USPC D14/223, 205; D24/174; 128/864-865,
128/866; 381/328, 323, 321, 380, 381;
455/90.3, 575.1, 569.1
CPC H04R 1/10; H04R 25/00; H04R 25/02;
H04R 1/1016; H04R 1/1033; H04R
1/1091; H04R 1/1083
See application file for complete search history.

(56) **References Cited**

U.S. PATENT DOCUMENTS

1,406,510 A * 2/1922 Weber H04R 1/1016
381/380
5,363,444 A * 11/1994 Norris H04M 1/05
379/430
5,410,608 A * 4/1995 Lucey H04R 1/083
381/360
D431,553 S * 10/2000 Suzuki D14/223
D469,753 S * 2/2003 Andre D14/205
6,574,345 B1 * 6/2003 Huang H04R 1/1016
379/430
6,668,064 B1 * 12/2003 Lin H04R 1/1016
381/328
D499,397 S * 12/2004 Hlas D14/223
D515,070 S * 2/2006 Andre D14/205
D531,169 S * 10/2006 Tokioka D14/223
D539,268 S * 3/2007 Suzuki D14/206
D554,109 S * 10/2007 Ledbetter D14/223

D554,627 S * 11/2007 Gondo D14/223
D555,152 S * 11/2007 Wang D14/223
D556,741 S * 12/2007 Yeo D14/205
D557,689 S * 12/2007 Huang D14/223
D564,495 S * 3/2008 Sasaki D14/205
D572,703 S * 7/2008 Ledbetter D14/205
D573,977 S * 7/2008 Ledbetter D14/205
D573,978 S * 7/2008 Ledbetter D14/205
D574,361 S * 8/2008 Sasaki D14/205
D579,005 S * 10/2008 Wilhelmsen D14/223
D582,389 S * 12/2008 Bose D14/205
D582,889 S * 12/2008 Bose D14/205

(Continued)

FOREIGN PATENT DOCUMENTS

CN 305724749 * 4/2020
CN 305734239 * 4/2020

(Continued)

Primary Examiner — Paula Allen Greene

(74) *Attorney, Agent, or Firm* — KA Filing LLC; Cynthia Ward Flanigan

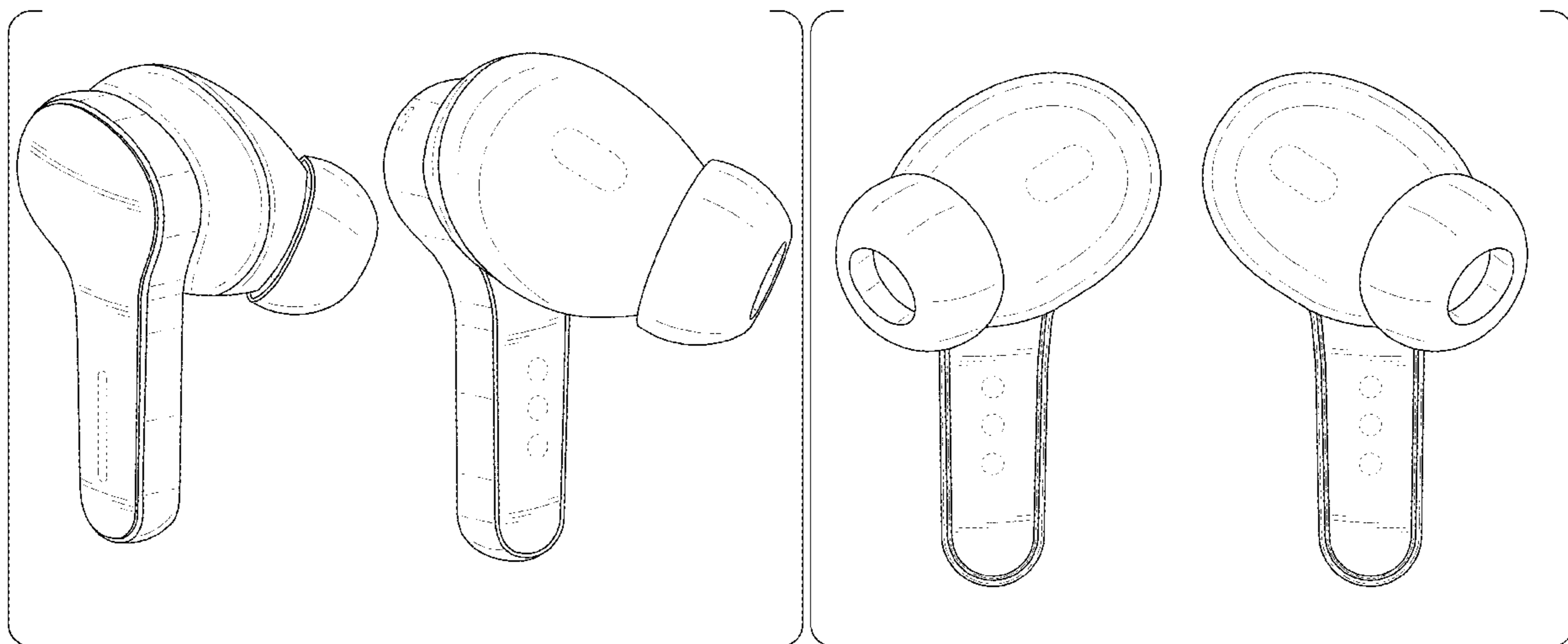
(57) **CLAIM**

I claim the ornamental design for an earphone, as shown and described.

DESCRIPTION

FIG. 1 is a Perspective view of an earphone showing my new design;
FIG. 2 is a Front view thereof;
FIG. 3 is a Back view thereof;
FIG. 4 is a Right-side view thereof;
FIG. 5 is a Left-side view thereof;
FIG. 6 is a Top view thereof; and,
FIG. 7 is a Bottom view thereof.
In the drawing, the claimed design is defined by the shaded surfaces; the broken lines depict environment that forms no part of the claimed design.

1 Claim, 7 Drawing Sheets



(56)

References Cited

U.S. PATENT DOCUMENTS

D586,332 S * 2/2009 Ewert D14/223
 D587,681 S * 3/2009 Yanai D14/205
 D587,685 S * 3/2009 Densho D14/206
 D591,721 S * 5/2009 Densho D14/205
 D591,722 S * 5/2009 Densho D14/205
 D593,537 S * 6/2009 Arimoto D14/205
 D596,616 S * 7/2009 Andre D14/205
 D599,778 S * 9/2009 Ando D14/205
 D605,636 S * 12/2009 Yang D14/223
 D618,211 S * 6/2010 Oguro D14/205
 D641,010 S * 7/2011 Kwon D14/223
 D652,823 S * 1/2012 Chen H04R 25/00
 D660,290 S * 5/2012 Weedon D14/223
 8,331,604 B2 * 12/2012 Saito H04R 1/1083
 D681,015 S * 4/2013 Akana H04R 1/1016
 8,422,717 B2 * 4/2013 Lin H04R 1/1091
 D682,117 S * 5/2013 Murray D9/710
 8,660,287 B2 * 2/2014 Stephenson H04R 1/1033
 8,712,087 B2 * 4/2014 Ozawa H04R 1/345
 D707,206 S * 6/2014 Akana H04R 1/10
 D707,652 S * 6/2014 Brunner H04R 1/1016
 D711,857 S * 8/2014 Burgett D14/223
 D715,777 S * 10/2014 Huang D14/223
 D716,272 S * 10/2014 Yang D14/223
 D718,286 S * 11/2014 Yang D14/223
 D730,876 S * 6/2015 Dahlberg D14/223
 D733,101 S * 6/2015 Pi D14/223
 D733,689 S * 7/2015 Narita D14/223
 D738,863 S * 9/2015 Laffon de Mazieres D14/223
 D746,268 S * 12/2015 Karayiannis D14/223
 D751,530 S * 3/2016 Kolton D14/205
 D757,682 S * 5/2016 Perez D14/205
 D760,202 S * 6/2016 Hsieh D14/223
 D762,616 S * 8/2016 Hsieh D14/205
 D770,412 S * 11/2016 Son D14/205
 D773,435 S * 12/2016 Ott D14/205
 D775,108 S * 12/2016 Hsieh D14/223

D784,298 S * 4/2017 Ozawa D14/223
 D784,962 S * 4/2017 Yang D14/223
 D800,097 S 10/2017 Chen
 D801,314 S * 10/2017 Akana D14/223
 D829,193 S * 9/2018 Cai D14/223
 D830,336 S * 10/2018 Cai D14/205
 D830,345 S * 10/2018 Cai D14/223
 D831,619 S * 10/2018 Matoba D14/223
 D832,824 S * 11/2018 Kim D14/223
 D847,125 S * 4/2019 Akana D14/223
 D848,982 S * 5/2019 Kim D14/223
 D848,983 S * 5/2019 Kim D14/223
 D853,994 S 7/2019 Lin
 D860,973 S * 9/2019 Ko D14/223
 D861,647 S * 10/2019 Chen D14/223
 D864,169 S * 10/2019 Min D14/223
 D865,720 S * 11/2019 Deng D14/223
 D868,752 S * 12/2019 Zhu D14/223
 D869,431 S * 12/2019 Czaniecki D14/205
 D870,708 S * 12/2019 Lindenberger D14/223
 D871,376 S 12/2019 Zhou
 D872,061 S * 1/2020 Cui D14/223
 D872,711 S * 1/2020 Hu D14/223
 D873,805 S 1/2020 Yang et al.
 D875,713 S 2/2020 Kim et al.
 D882,553 S * 4/2020 Wu D14/223
 D883,260 S * 5/2020 Hu D14/223
 2007/0189570 A1 * 8/2007 Matsuo H04R 1/02
 2012/0057738 A1 * 3/2012 Lin H04R 1/1091
 2012/0237074 A1 * 9/2012 Aase H04R 1/1075
 2013/0004011 A1 * 1/2013 Hayashida H04R 1/345
 2013/0343593 A1 * 12/2013 Howes H04R 1/1016
 2016/0014498 A1 * 1/2016 Paschel H04R 1/1016
 2017/0164087 A1 * 6/2017 Kurtz H04R 1/1066

FOREIGN PATENT DOCUMENTS

EM 007481684-0001 * 1/2020
 EM 007810056-0001 * 4/2020
 EM 007845698-0002 * 4/2020

* cited by examiner

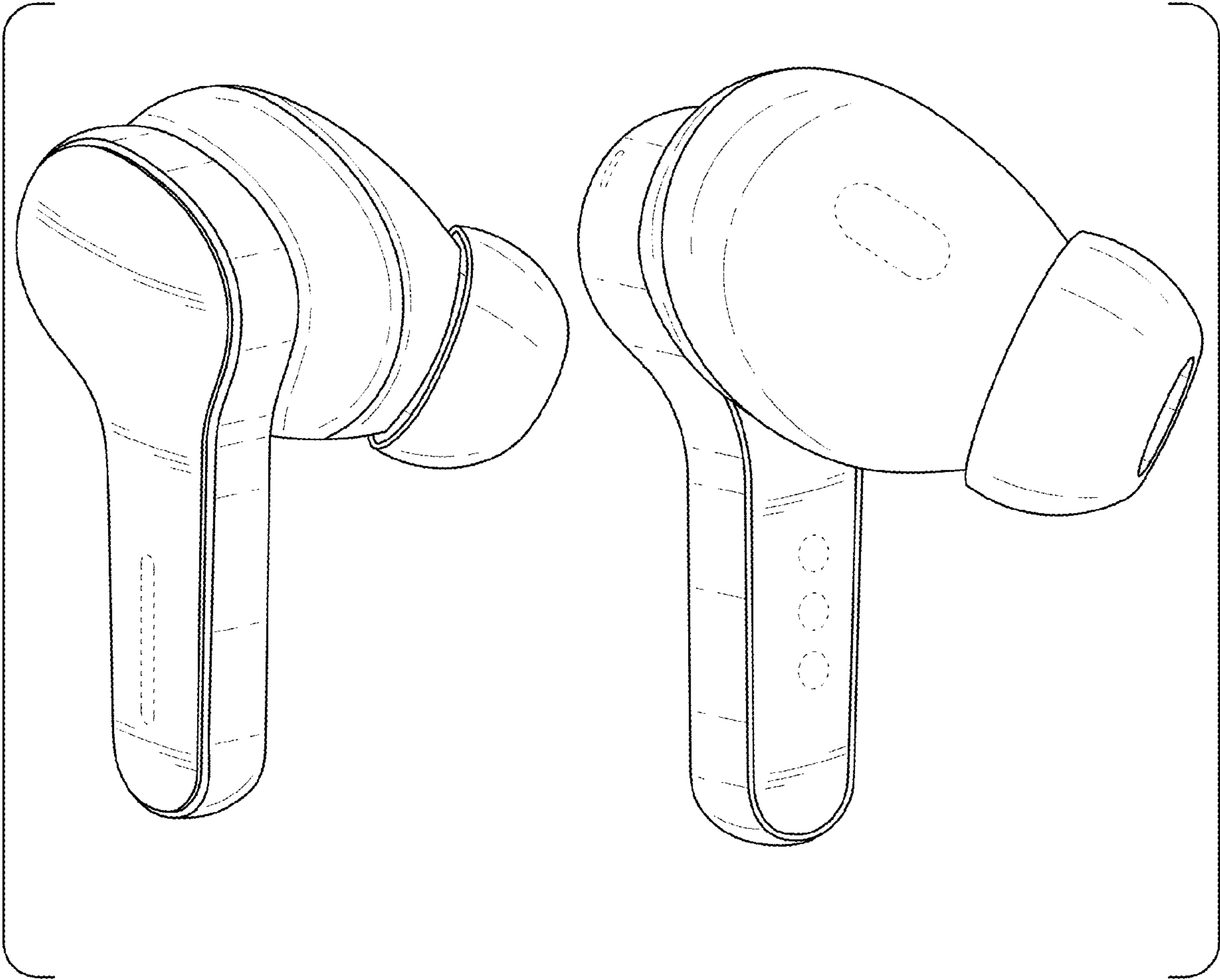


FIG. 1

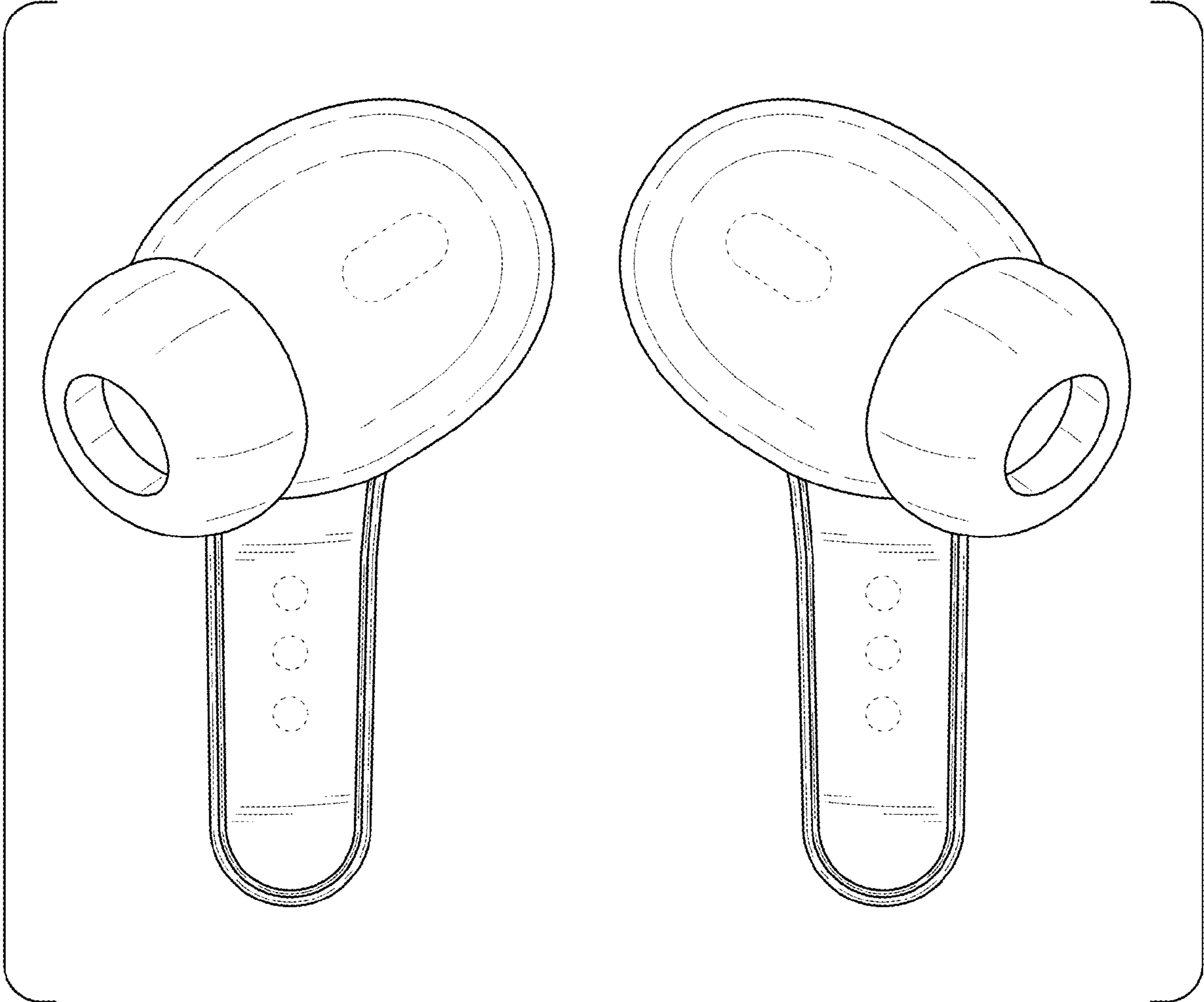


FIG. 2

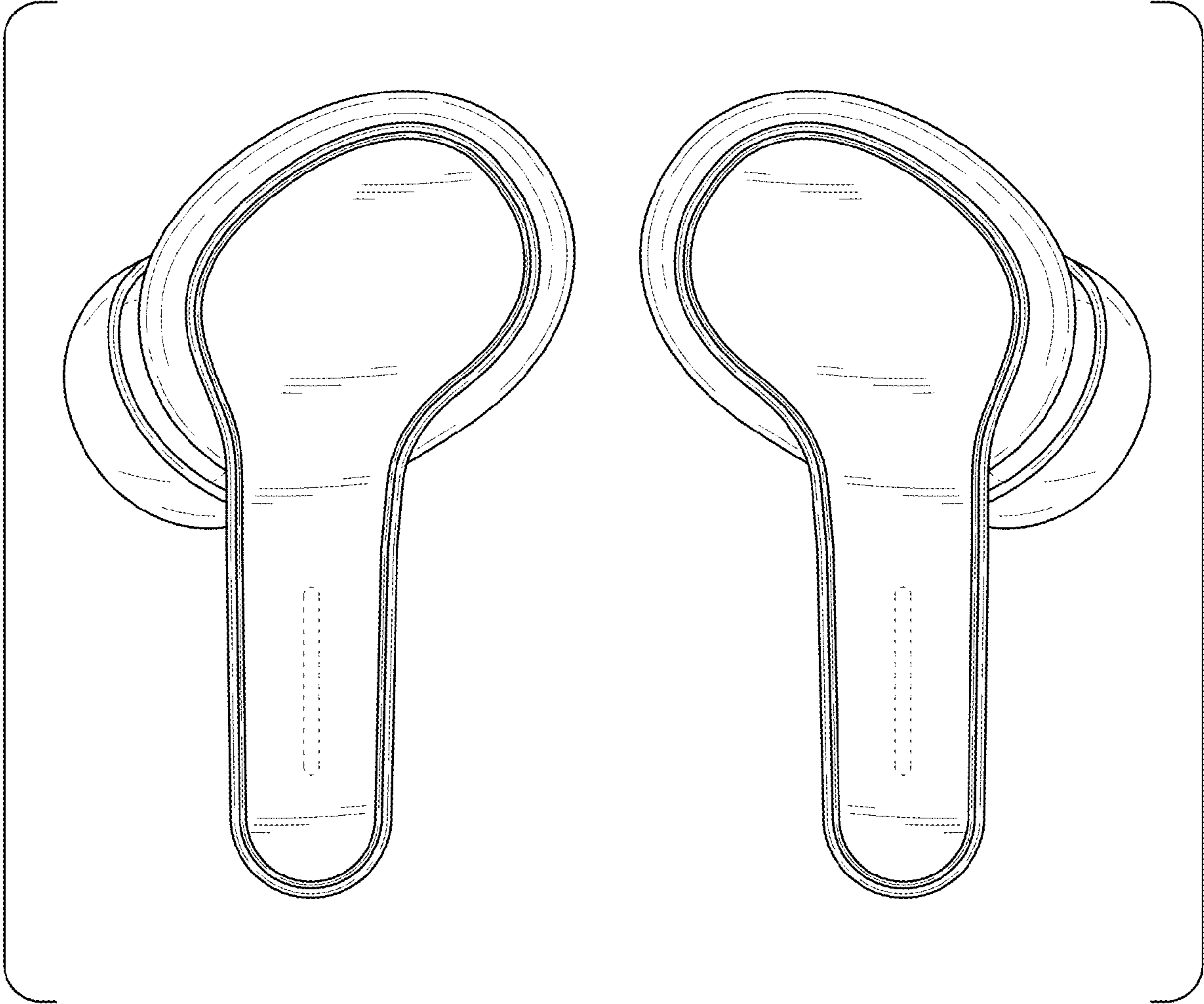


FIG. 3

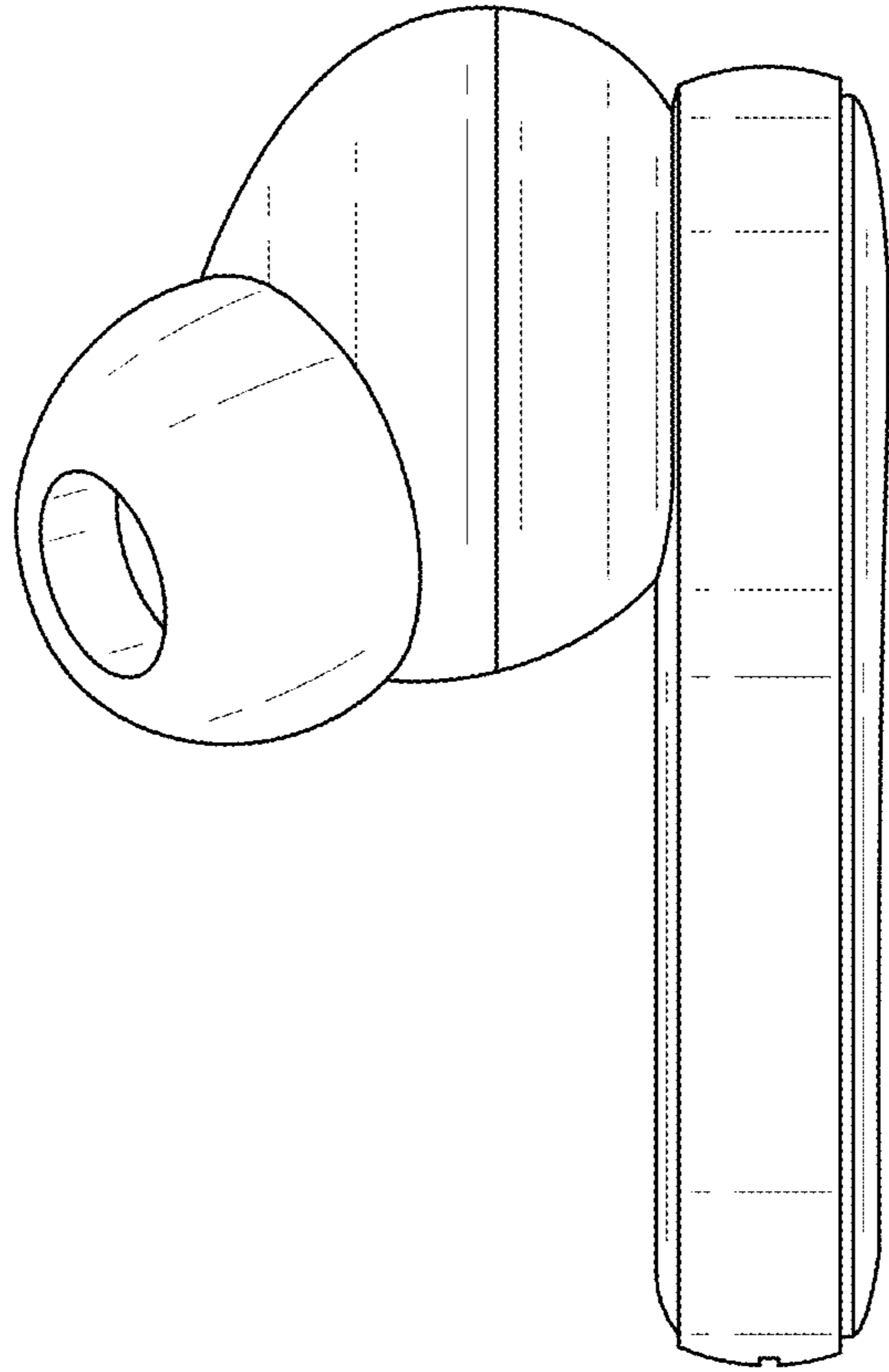


FIG. 4

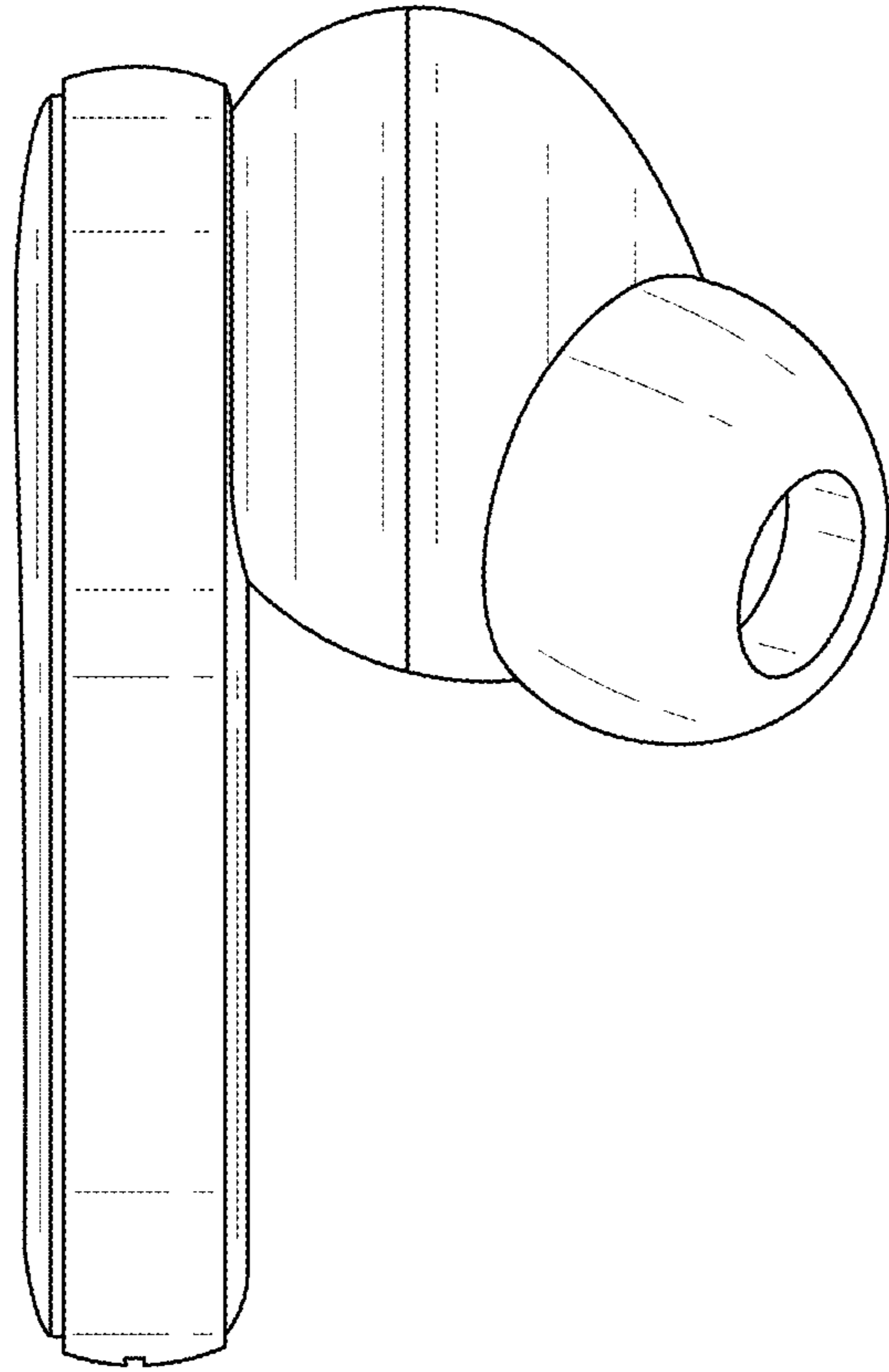


FIG. 5

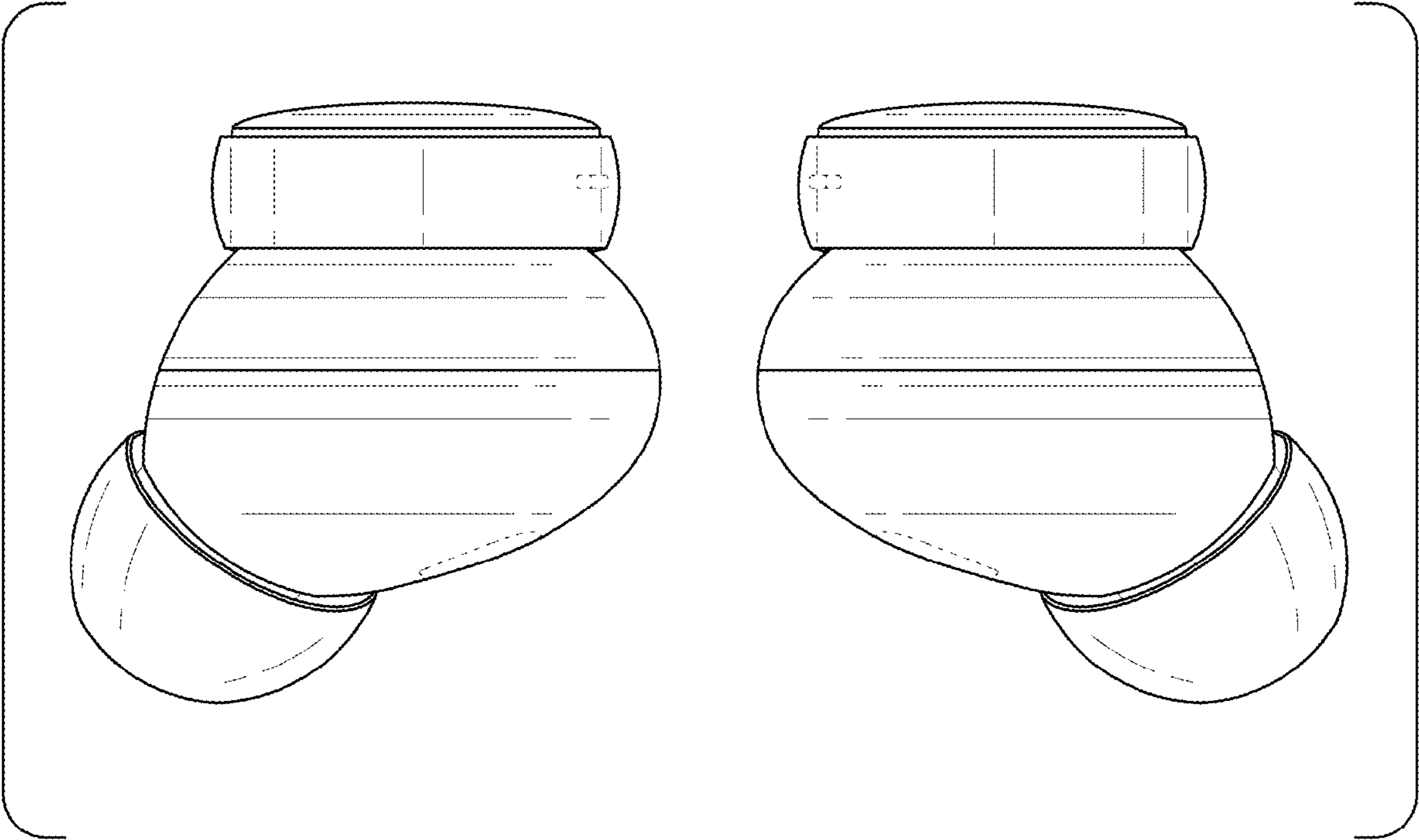


FIG. 6

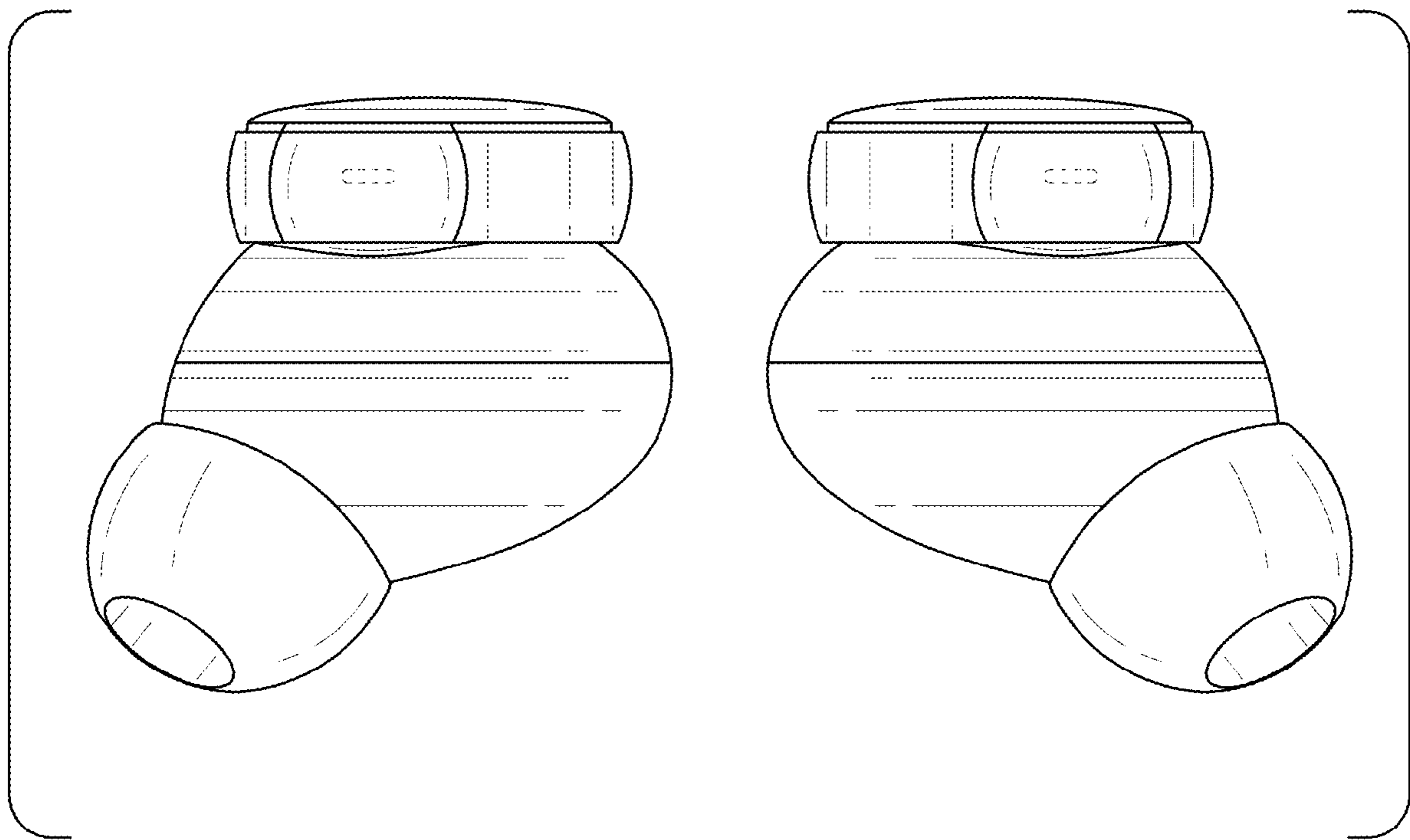


FIG. 7