



US00D905017S

(12) **United States Design Patent**  
**Chen**

(10) **Patent No.:** **US D905,017 S**

(45) **Date of Patent:** **\*\* Dec. 15, 2020**

(54) **WIRELESS EARBUD**

(71) Applicant: **Xiaodong Chen**, Shenzhen (CN)

(72) Inventor: **Xiaodong Chen**, Shenzhen (CN)

(\*\*) Term: **15 Years**

(21) Appl. No.: **29/694,413**

(22) Filed: **Jun. 10, 2019**

(30) **Foreign Application Priority Data**

Mar. 1, 2019 (CN) ..... 2019 3 00829333

(51) **LOC (12) Cl.** ..... **14-01**

(52) **U.S. Cl.**  
USPC ..... **D14/223**

(58) **Field of Classification Search**  
USPC ..... D14/223, 205; D24/174, 106; 128/864,  
128/865, 866; 181/130, 135; 455/90.3,  
455/575.1, 569.1; D13/107, 108  
CPC ..... H04R 1/10; H04R 25/00; H04R 1/1016;  
H04R 1/1066; H04R 1/1091; H04R  
1/2823  
See application file for complete search history.

(56) **References Cited**

**U.S. PATENT DOCUMENTS**

D316,550 S \* 4/1991 Sogabe ..... D14/168  
D340,932 S \* 11/1993 Yan ..... D14/249  
6,574,345 B1 \* 6/2003 Huang ..... H04R 1/1016  
379/430  
D479,834 S \* 9/2003 Salazar ..... D14/205  
D481,377 S \* 10/2003 Eguchi ..... D14/223  
D499,397 S \* 12/2004 Hlas ..... D14/223  
D512,049 S \* 11/2005 Yang ..... D14/205  
D533,868 S \* 12/2006 Koizumi ..... D14/223  
D554,109 S \* 10/2007 Ledbetter ..... D14/223  
D555,152 S \* 11/2007 Wang ..... D14/223  
D556,741 S \* 12/2007 Yeo ..... D14/205

D557,689 S \* 12/2007 Huang ..... D14/223  
D572,242 S \* 7/2008 Yang ..... D14/205  
D572,247 S \* 7/2008 Andre ..... D14/315  
D573,977 S \* 7/2008 Ledbetter ..... D14/205  
D575,269 S \* 8/2008 Ledbetter ..... D14/205  
D578,518 S \* 10/2008 Ewert ..... D14/223  
D587,685 S \* 3/2009 Densho ..... D14/206  
D589,493 S \* 3/2009 Densho ..... D14/206  
D589,498 S \* 3/2009 Komiyama ..... D14/223  
D590,371 S \* 4/2009 Leinvuo ..... D14/205  
D593,537 S \* 6/2009 Arimoto ..... D14/205  
D641,738 S \* 7/2011 Perez ..... D14/223  
D652,823 S \* 1/2012 Chen ..... H04R 1/1016  
D14/223  
D657,780 S \* 4/2012 Dahlberg ..... D14/223  
D660,290 S \* 5/2012 Weedon ..... D14/223  
D660,292 S \* 5/2012 Rautiainen ..... D14/223  
D662,493 S \* 6/2012 Chen ..... D14/223  
D666,581 S \* 9/2012 Perez ..... D14/223

(Continued)

**FOREIGN PATENT DOCUMENTS**

CA D172976 \* 9/2018  
CN 305515899 \* 12/2019  
EM 007699483-0002 \* 2/2020

*Primary Examiner* — Paula Allen Greene

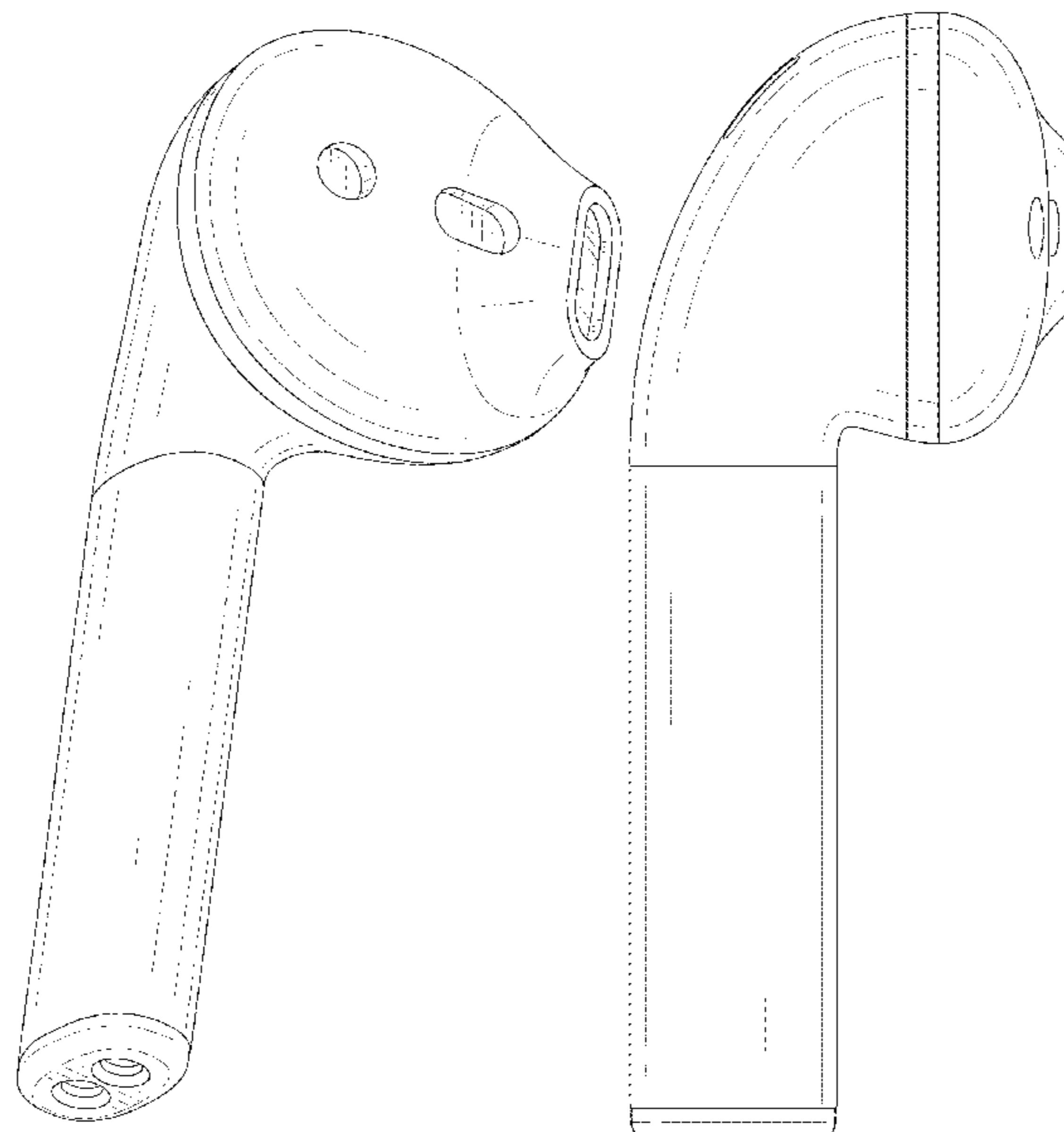
(57) **CLAIM**

The ornamental design for a wireless earbud, as shown and described.

**DESCRIPTION**

FIG. 1 is a perspective view of a wireless earbud showing my new design;  
FIG. 2 is a front elevational view thereof;  
FIG. 3 is a rear elevational view thereof;  
FIG. 4 is a left side elevational view thereof;  
FIG. 5 is a right side elevational view thereof;  
FIG. 6 is a top plan view thereof; and,  
FIG. 7 is a bottom plan view thereof.

**1 Claim, 7 Drawing Sheets**



(56)

References Cited

U.S. PATENT DOCUMENTS

D671,531 S	*	11/2012	Kim	.....	D14/223
D681,015 S	*	4/2013	Akana	.....	H04R 1/10 D14/223
D695,721 S	*	12/2013	Thompson	.....	D14/223
D707,206 S	*	6/2014	Akana	.....	H04R 1/10 D14/223
D711,857 S	*	8/2014	Burgett	.....	D14/223
D718,284 S	*	11/2014	Shibusawa	.....	D14/223
D730,876 S	*	6/2015	Dahlberg	.....	D14/223
D732,008 S	*	6/2015	Akana	.....	H04R 1/10 D14/223
D733,101 S	*	6/2015	Pi	.....	D14/223
D733,689 S	*	7/2015	Narita	.....	D14/223
D738,864 S	*	9/2015	Lee	.....	D14/223
D741,287 S	*	10/2015	Harata	.....	D14/205
D757,682 S	*	5/2016	Perez	.....	D14/205
D760,202 S	*	6/2016	Hsieh	.....	D14/223
D770,412 S	*	11/2016	Son	.....	D14/205
D784,962 S	*	4/2017	Yang	.....	D14/223
D801,314 S	*	10/2017	Akana	.....	D14/223
D820,809 S	*	6/2018	Akana	.....	D14/205
D822,009 S	*	7/2018	Matoba	.....	D14/223
D830,336 S	*	10/2018	Cai	.....	D14/205
D832,824 S	*	11/2018	Kim	.....	D14/223
D847,125 S	*	4/2019	Akana	.....	D14/223
D861,647 S	*	10/2019	Chen	.....	D14/223
D869,445 S	*	12/2019	Hu	.....	D14/223
D881,810 S	*	4/2020	Zhang	.....	D13/108
D881,850 S	*	4/2020	Zhang	.....	D14/223
D885,373 S	*	5/2020	Lundback	.....	D14/223
D890,724 S	*	7/2020	Li	.....	D14/223
D890,725 S	*	7/2020	Liu	.....	D14/223
2012/0237074	A1*	9/2012	Aase	.....	H04R 1/1075 381/380
2012/0275635	A1*	11/2012	Chen	.....	H04R 1/1075 381/380
2013/0004011	A1*	1/2013	Hayashida	.....	H04R 1/345 381/380
2013/0336495	A1*	12/2013	Burgett	.....	H04R 1/1091 381/74
2013/0343595	A1*	12/2013	Zorkendorfer	.....	H04R 1/1016 381/380
2015/0382100	A1*	12/2015	Azmi	.....	H04R 1/2811 381/380
2017/0164087	A1*	6/2017	Kurtz	.....	H04R 1/1066

\* cited by examiner

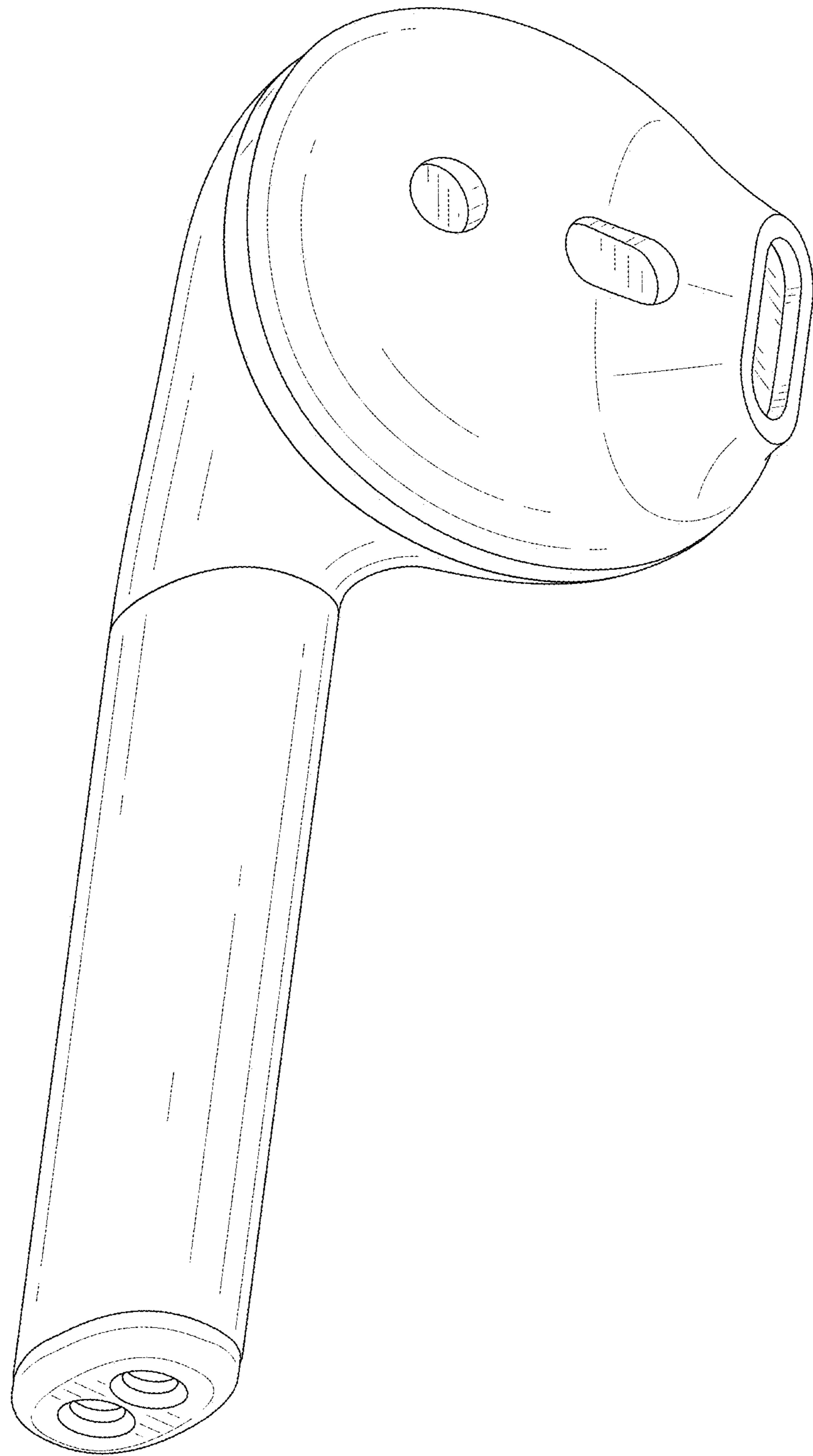


FIG. 1

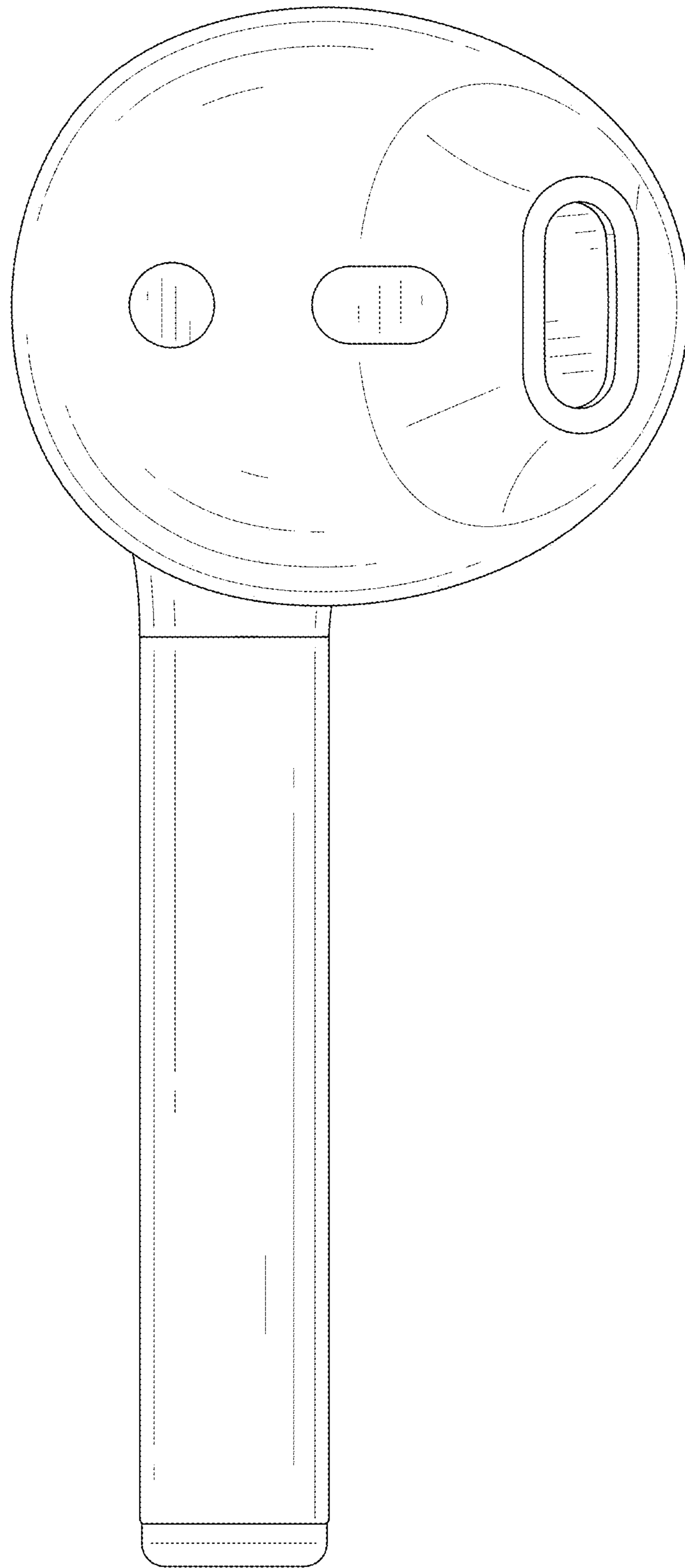


FIG. 2

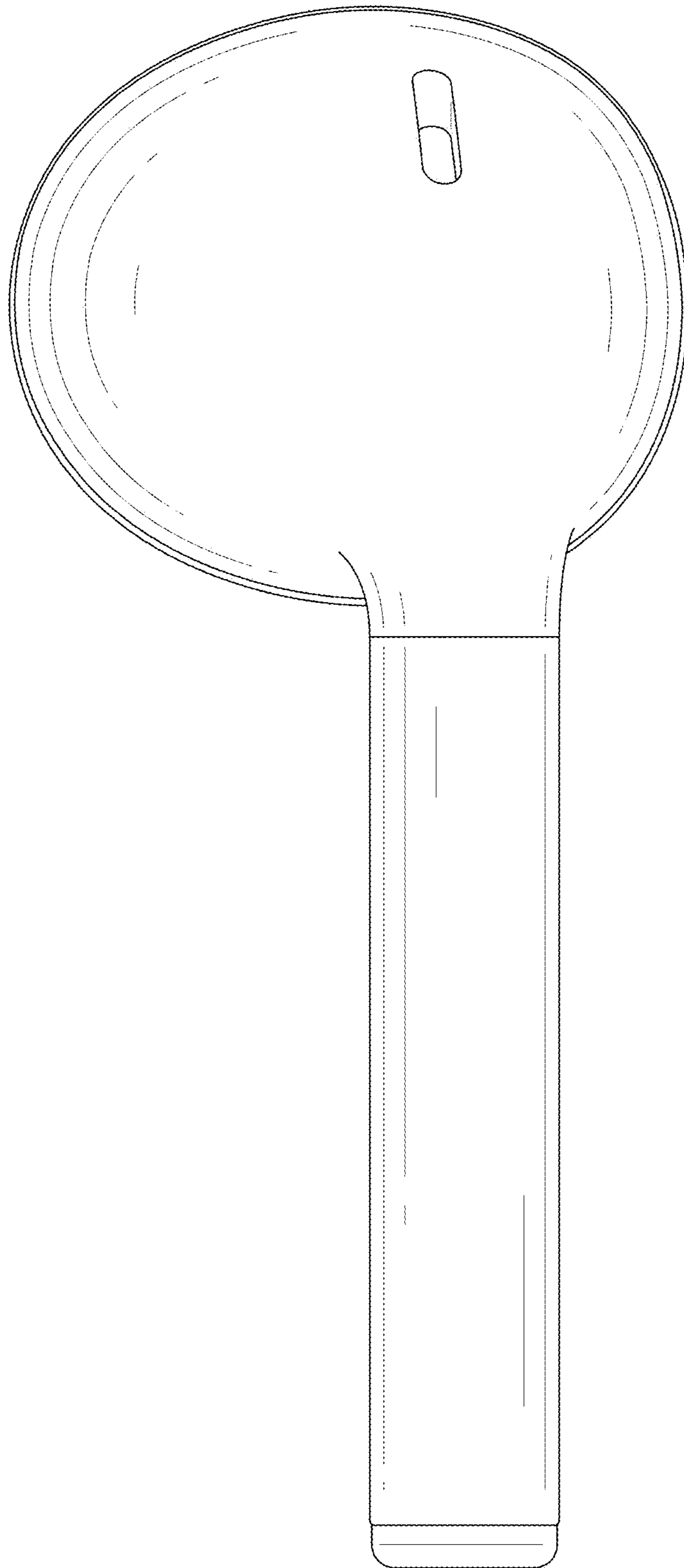


FIG. 3



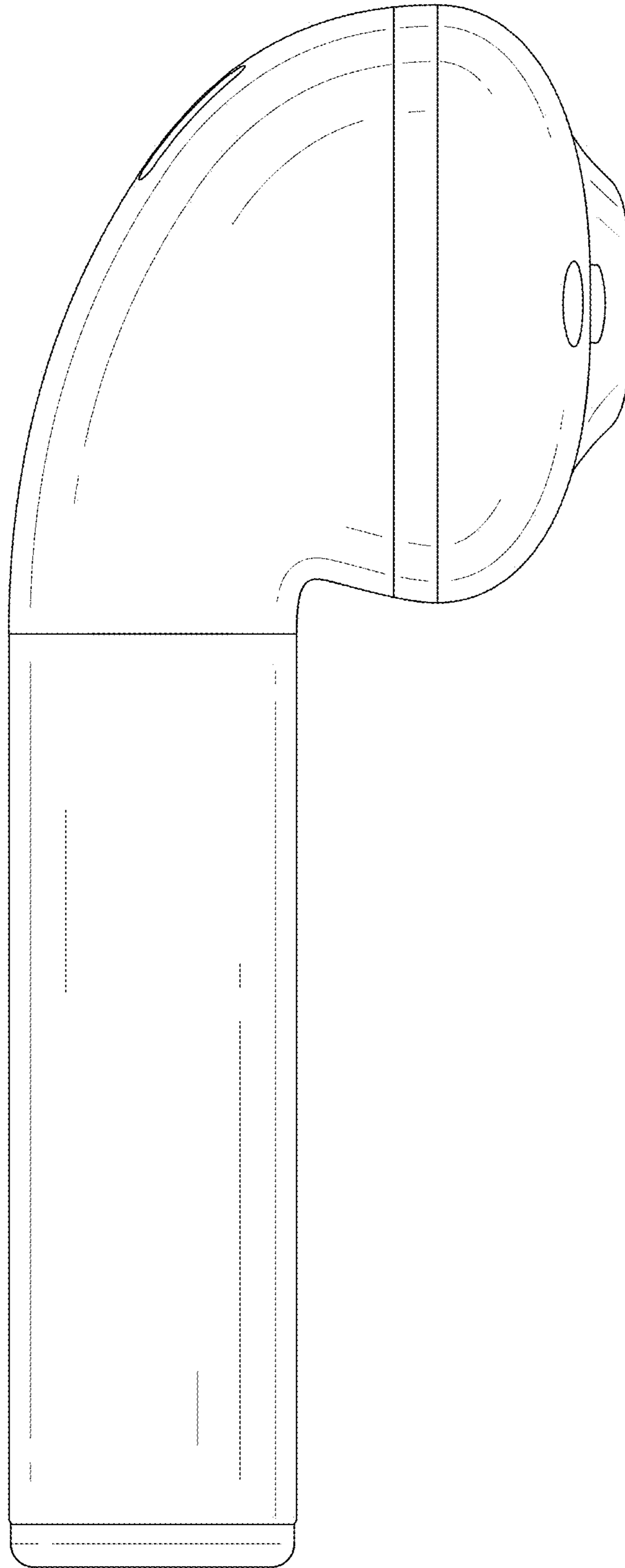


FIG. 4

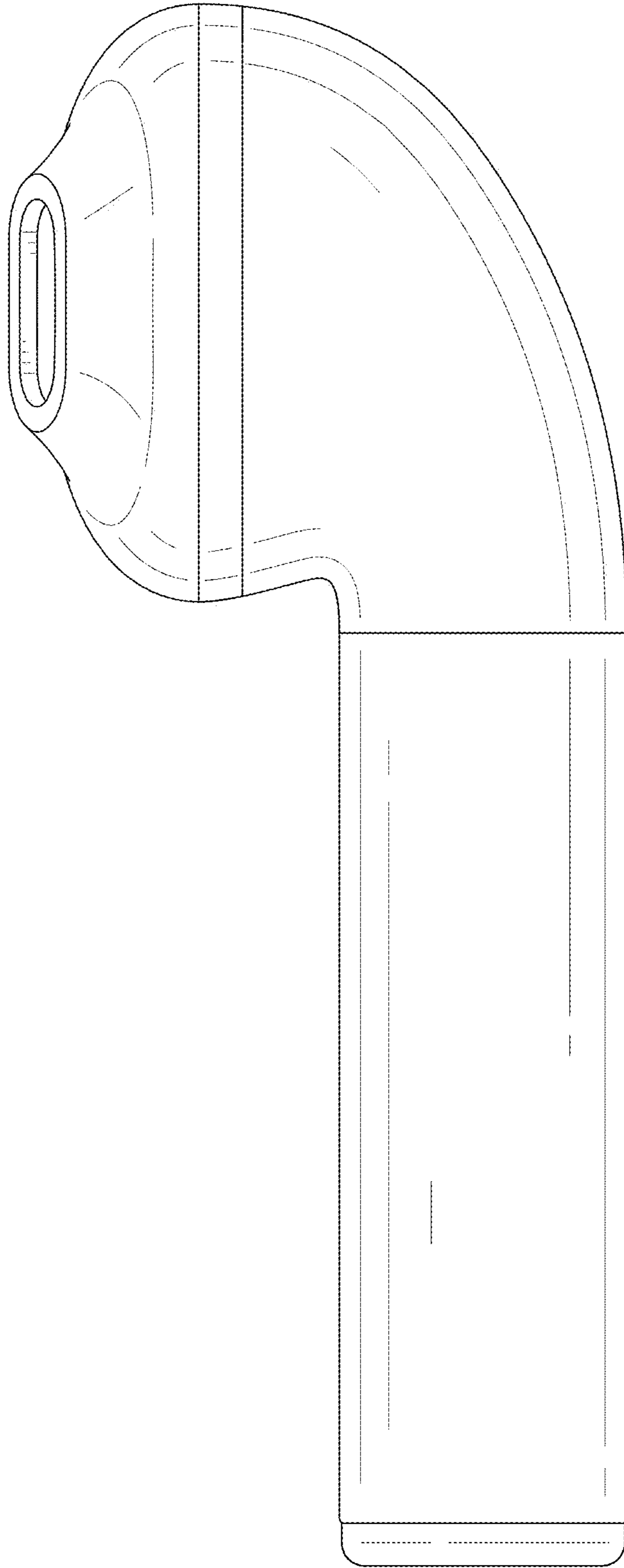


FIG. 5

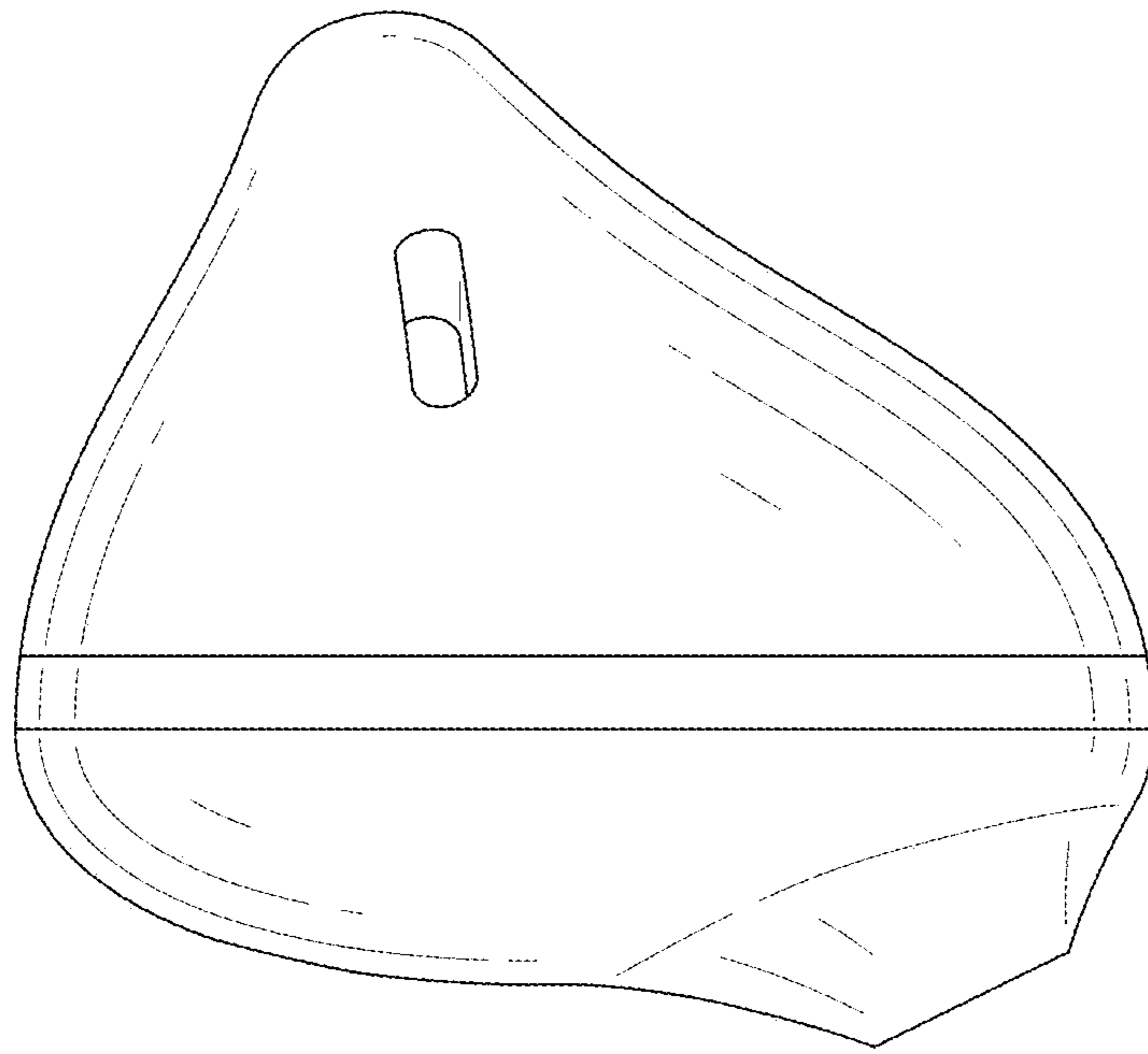


FIG. 6



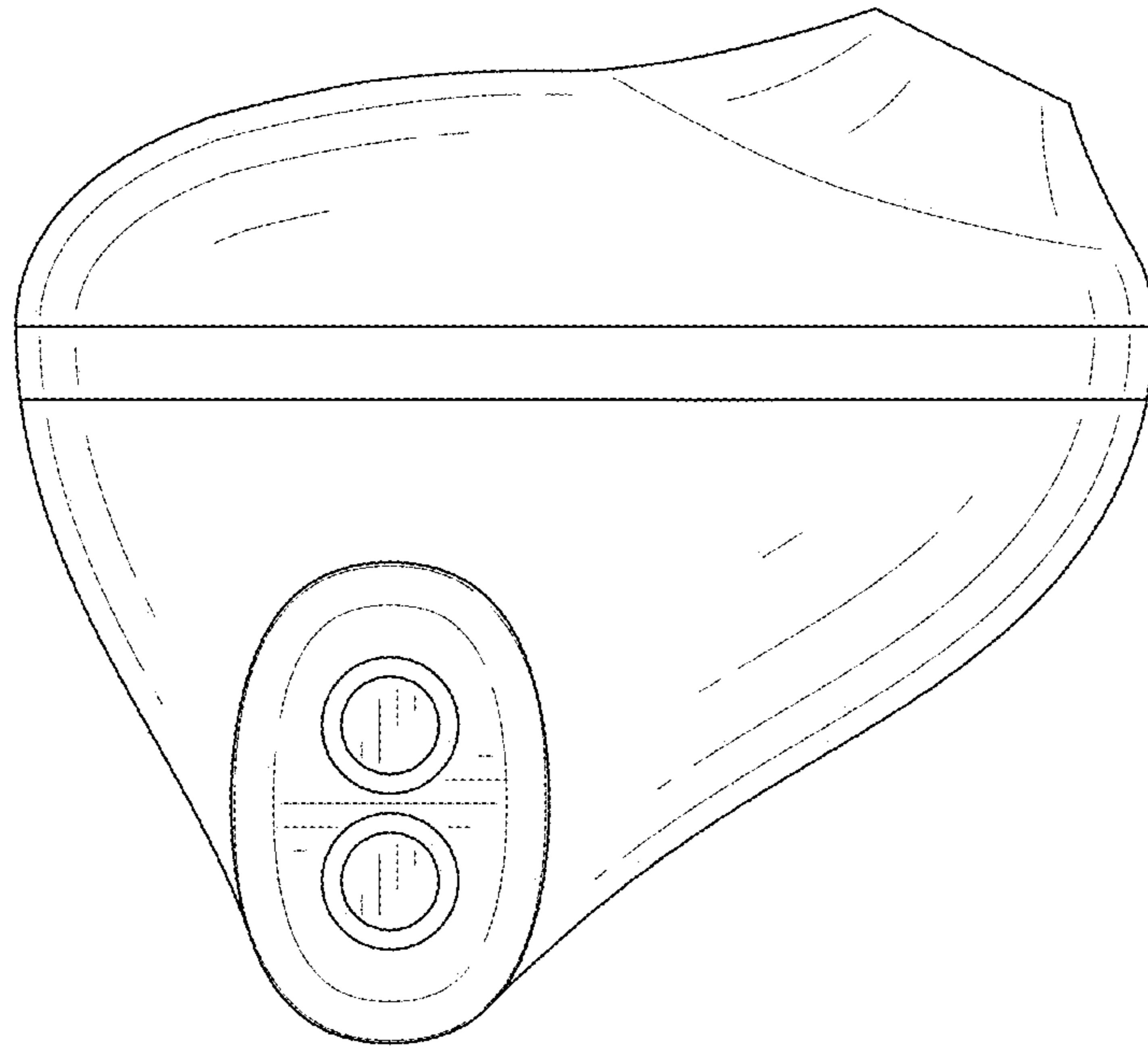


FIG. 7