



US00D905015S

(12) **United States Design Patent** (10) **Patent No.:** **US D905,015 S**
Maier (45) **Date of Patent:** **** Dec. 15, 2020**

(54) **WIRELESS REMOTE CONTROL**
(71) Applicant: **FM MARKETING GMBH**, Neumarkt am Wallersee (AT)
(72) Inventor: **Ferdinand Maier**, Neumarkt am Wallersee (AT)
(73) Assignee: **fm marketing gmbh**, Neumarkt am Wallersee (AT)
(**) Term: **15 Years**

D594,850 S * 6/2009 Yan D14/218
D611,932 S * 3/2010 Maier D14/218
D647,509 S * 10/2011 Maier D14/218
D656,488 S * 3/2012 Nakayama D14/218
D658,636 S * 5/2012 Maier D14/218
D695,272 S * 12/2013 Hansen D14/218
D699,223 S * 2/2014 Maier D14/218
D703,187 S * 4/2014 Maier D14/218
D705,755 S * 5/2014 Zaslavsky D14/218
D714,740 S * 10/2014 Corsini D13/168
D720,725 S * 1/2015 Peh D14/218
D724,568 S * 3/2015 Peh D14/218
D726,692 S * 4/2015 Peh D14/218

(Continued)

(21) Appl. No.: **29/634,697**

Primary Examiner — Rhea Shields

(22) Filed: **Jan. 24, 2018**

(74) *Attorney, Agent, or Firm* — Stinson LLP

Related U.S. Application Data

(62) Division of application No. 35/500,675, filed on Jan. 5, 2016 (U.S. filing date under 35 U.S.C. 384), and having an international filing date of Jan. 5, 2016, now Pat. No. Des. 808,931.

(57) **CLAIM**

The ornamental design for a wireless remote control, as shown and described.

DESCRIPTION

(30) **Foreign Application Priority Data**

Jul. 7, 2015 (EM) 002732867-0001
Jul. 7, 2015 (EM) 002732867-0002
Jul. 7, 2015 (EM) 002732867-0003

FIG. 1 is a front elevation view of a first embodiment of the wireless remote control, showing my new design;
FIG. 2 is a left side view thereof, the right side being a mirror image thereof;
FIG. 3 is a rear view thereof;
FIG. 4 is a top plan view thereof;
FIG. 5 is a bottom plan view thereof;
FIG. 6 is a perspective view of a second embodiment of the wireless remote control, showing my new design;
FIG. 7 is a front elevation view thereof;
FIG. 8 is a rear view thereof;
FIG. 9 is a left side view thereof;
FIG. 10 is a right side view thereof;
FIG. 11 is a top plan view thereof; and,
FIG. 12 is a bottom view thereof.
In the drawings the portions of the wireless remote control illustrated in broken lines do not form a part of the claimed design.

(51) **LOC (12) Cl.** **14-03**

(52) **U.S. Cl.**
USPC **D14/218**

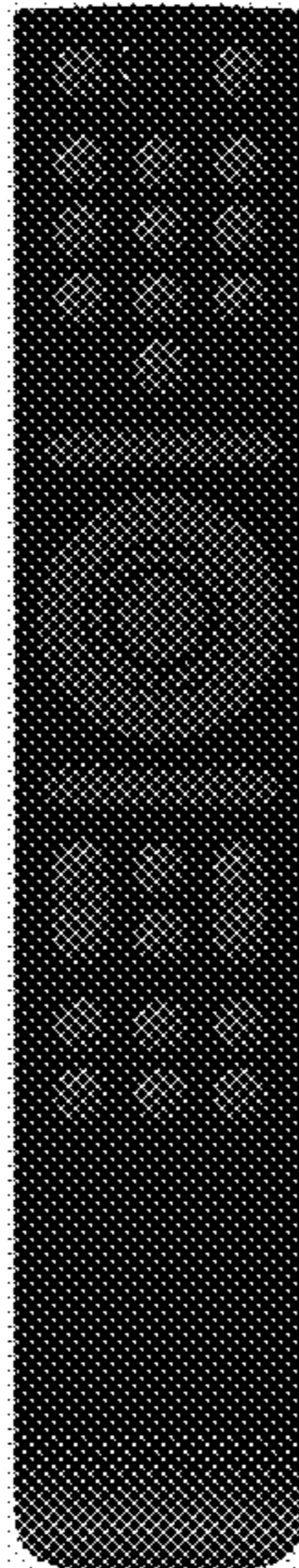
(58) **Field of Classification Search**
USPC D14/218; D13/168
CPC H01H 9/0235
See application file for complete search history.

(56) **References Cited**

U.S. PATENT DOCUMENTS

D450,662 S * 11/2001 Kwok D13/168
D519,989 S * 5/2006 Wu D14/218

1 Claim, 12 Drawing Sheets



(56)

References Cited

U.S. PATENT DOCUMENTS

D728,529	S	*	5/2015	Seflic	D14/218
D730,874	S	*	6/2015	McManigal	D14/218
D735,166	S	*	7/2015	Hansen	D14/218
D735,167	S	*	7/2015	Buch	D14/218
D738,883	S	*	9/2015	Pang	D14/218
D753,635	S	*	4/2016	Ko	D14/218
D760,699	S	*	7/2016	Peh	D14/218
D761,764	S	*	7/2016	Jou	D14/218
D765,622	S	*	9/2016	Chong	D14/218
D768,605	S	*	10/2016	Wong	D14/218
D769,848	S	*	10/2016	Lee	D14/218
D770,422	S	*	11/2016	Park	D14/218
D774,493	S	*	12/2016	Wong	D14/218
D777,143	S	*	1/2017	Moresco	D14/218
D777,144	S	*	1/2017	McManigal	D14/218
D777,708	S	*	1/2017	Shimonishi	D14/218
D778,266	S	*	2/2017	Maier	D14/218
D778,844	S	*	2/2017	Tsudoku	D13/168
2010/0310914	A1	*	12/2010	Maier	H01H 9/0235 429/97

* cited by examiner

FIG. 1

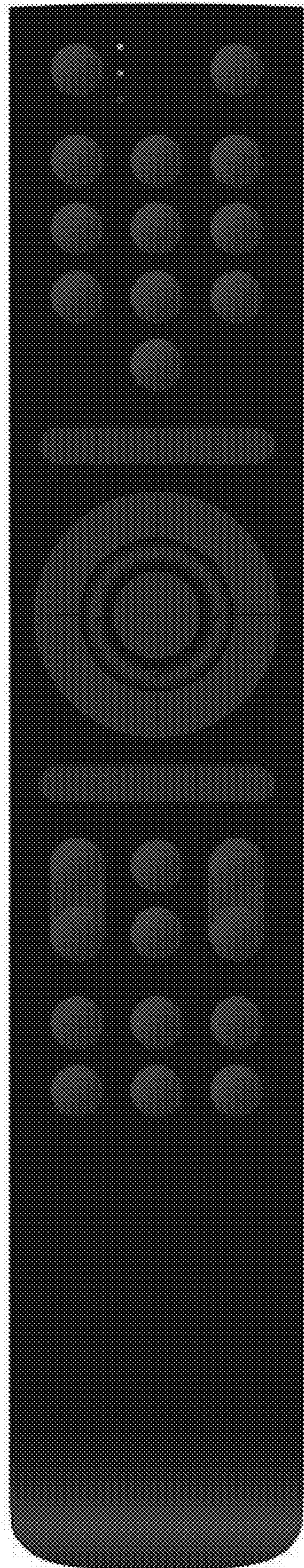


FIG. 2

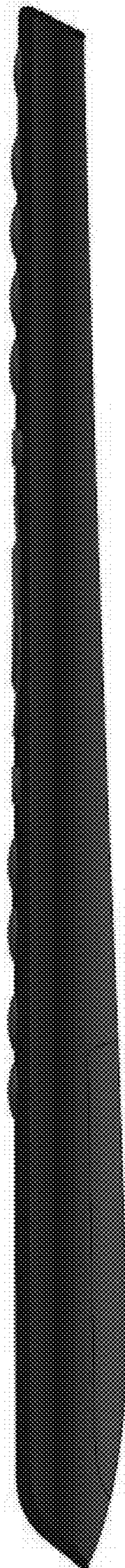


FIG. 3

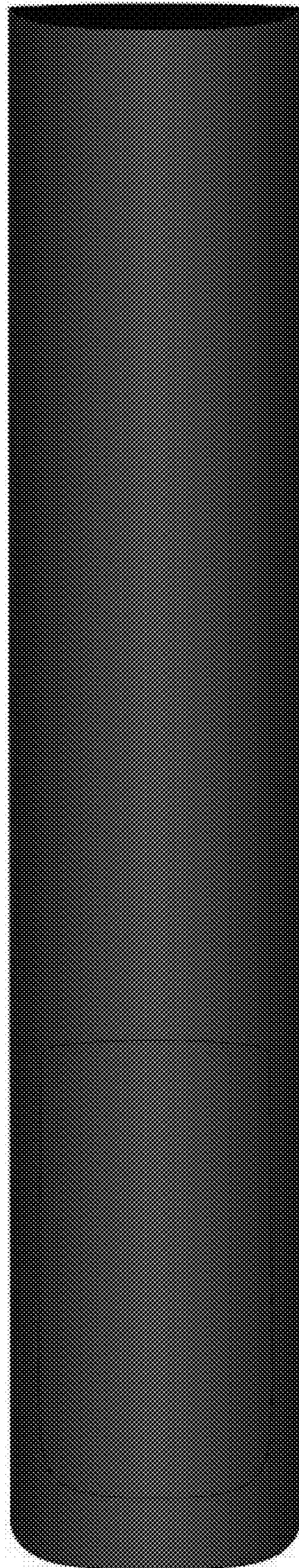


FIG. 4

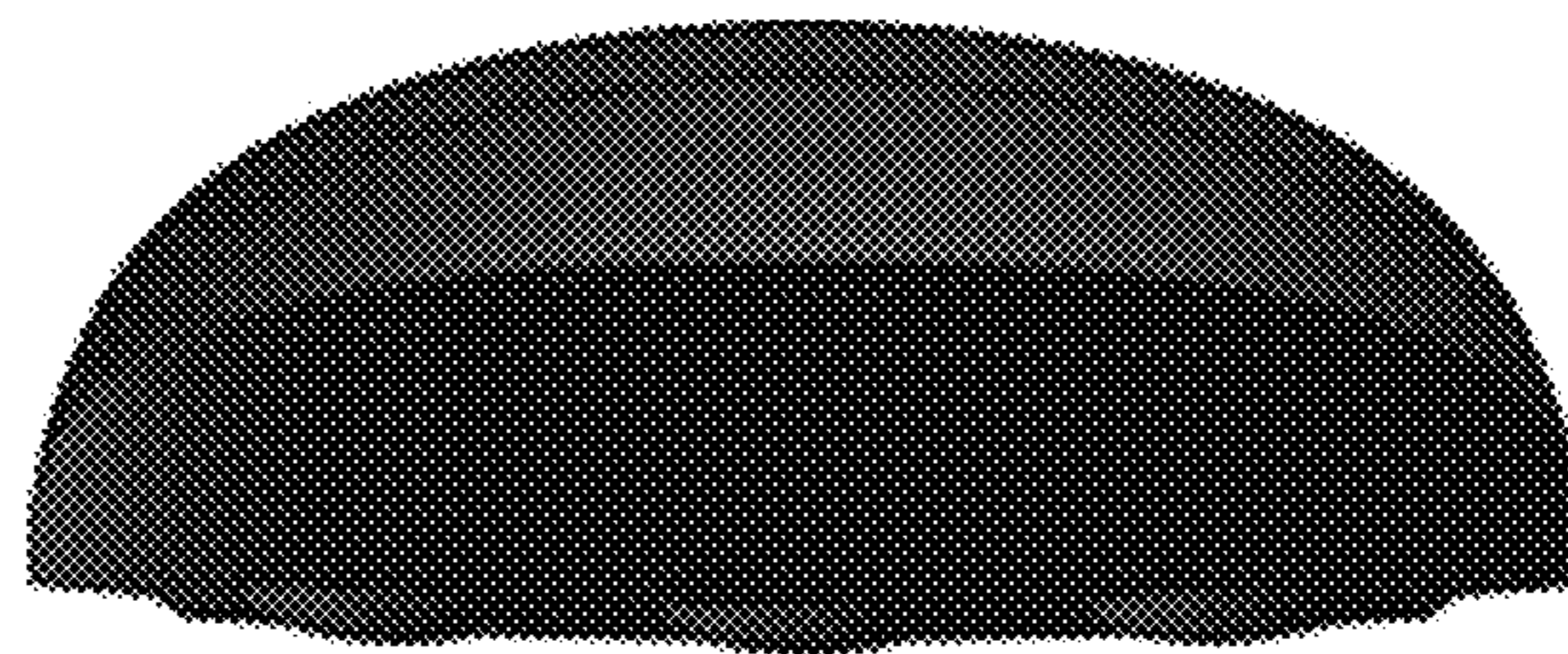


FIG. 5

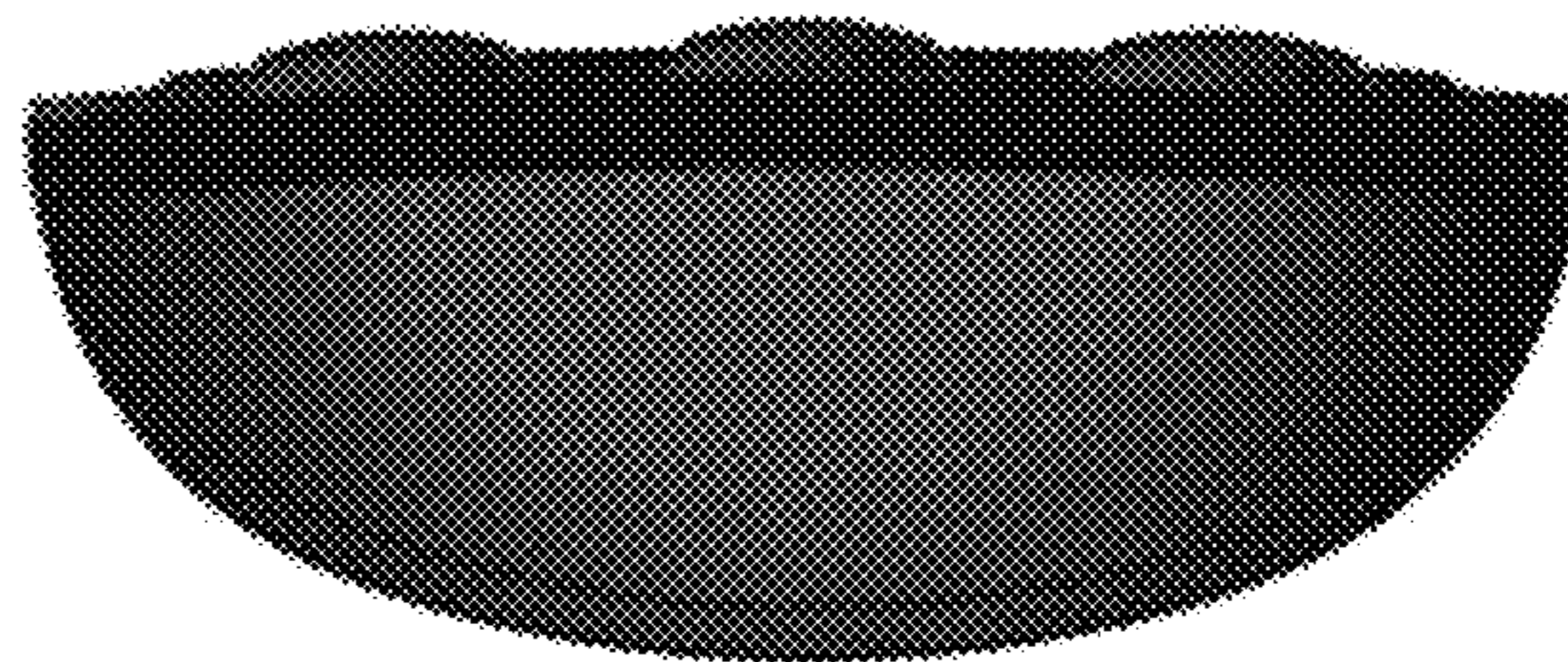


FIG. 6

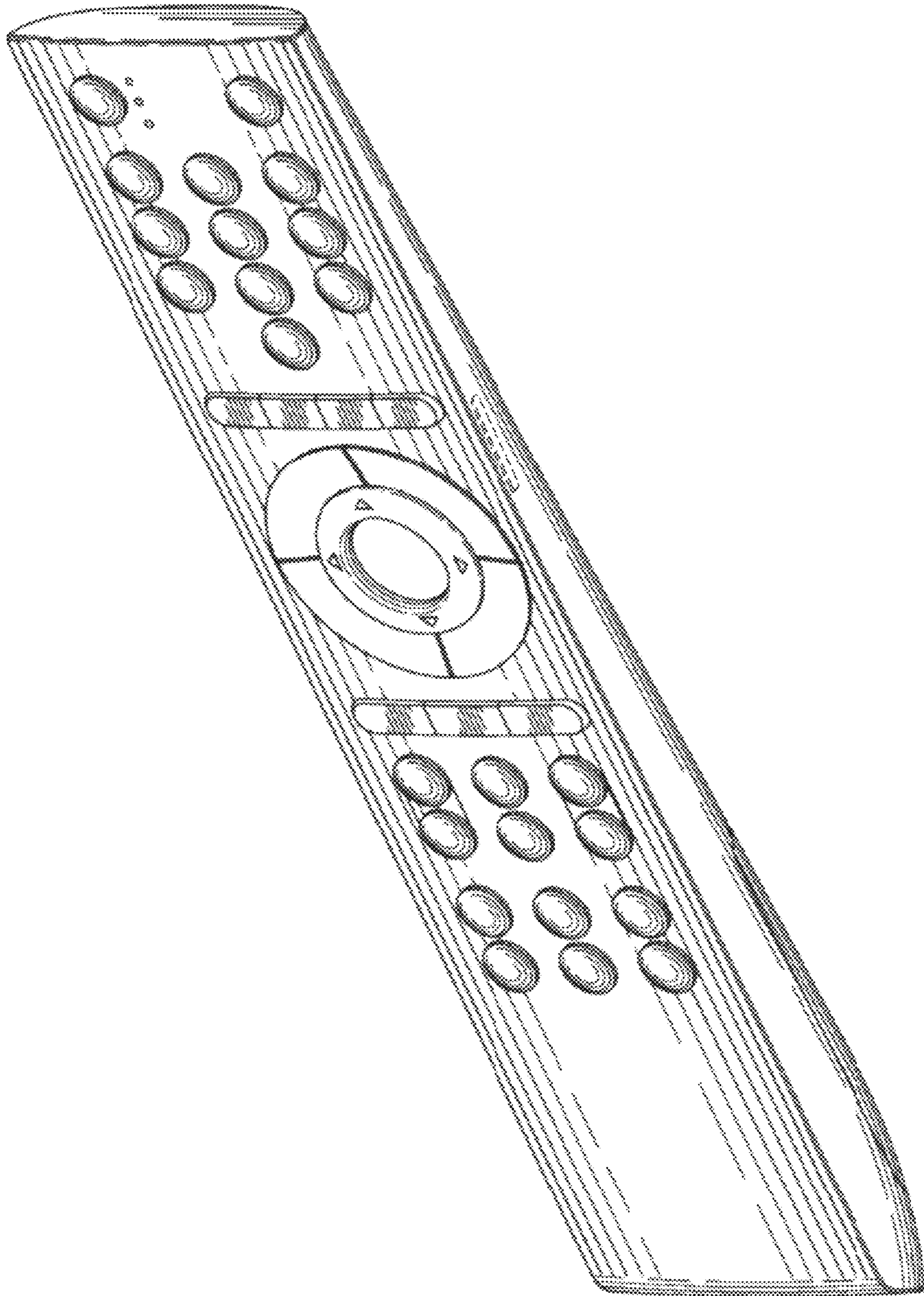


FIG. 7

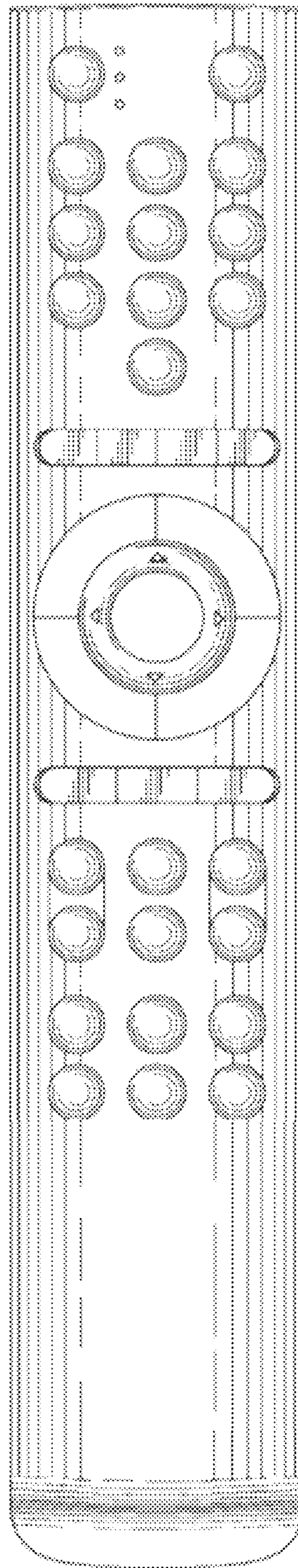


FIG. 8

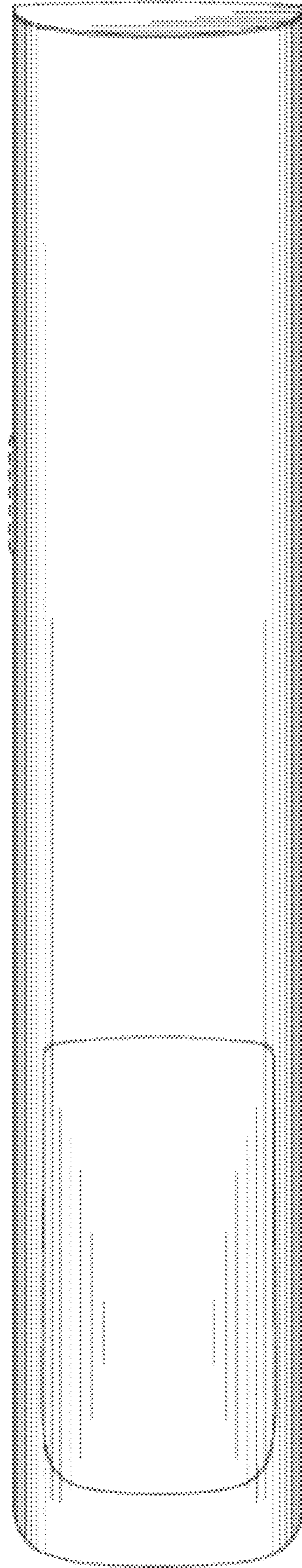


FIG. 9

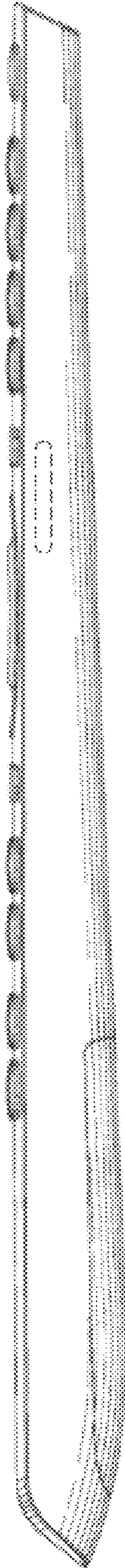


FIG. 10



FIG. 11

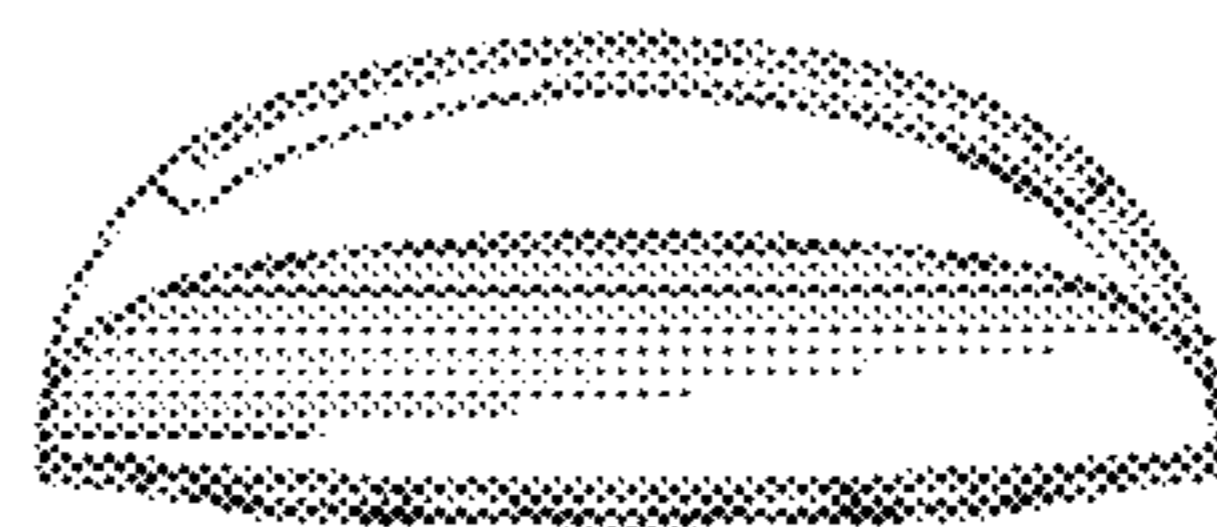


FIG. 12

