

US00D905014S

(12) **United States Design Patent**  
**Friedman**

(10) **Patent No.:** **US D905,014 S**

(45) **Date of Patent:** **\*\* Dec. 15, 2020**

- (54) **CLIP**
- (71) Applicant: **Michael Friedman**, Mill Valley, CA  
(US)
- (72) Inventor: **Michael Friedman**, Mill Valley, CA  
(US)
- (\*\*) Term: **15 Years**
- (21) Appl. No.: **29/692,286**
- (22) Filed: **May 23, 2019**
- (51) **LOC (12) Cl.** ..... **14-03**
- (52) **U.S. Cl.**  
USPC ..... **D14/217**
- (58) **Field of Classification Search**  
USPC ..... D3/318, 328; D14/217, 224, 229, 251,  
D14/250, 252, 253, 299, 344, 432, 447  
CPC ..... A45F 5/00; A45F 3/00; A45F 3/14; G06F  
1/163; G06K 9/18  
See application file for complete search history.

(56) **References Cited**

**U.S. PATENT DOCUMENTS**

D721,373 S *	1/2015	Logereau	.....	D14/432
D735,695 S *	8/2015	Murphy	.....	A45F 5/00 D14/217
D749,559 S *	2/2016	Senoff	.....	D14/251
9,300,346 B2 *	3/2016	Hirsch	.....	A45F 5/00
9,335,790 B2 *	5/2016	Stotler	.....	G06F 1/1654
9,397,717 B2 *	7/2016	Curran	.....	H04M 1/0281
D765,662 S *	9/2016	Kang	.....	D14/439
D778,275 S *	2/2017	Gabriel	.....	D14/250
D780,739 S *	3/2017	Kalbach	.....	D14/250
D788,092 S *	5/2017	Phang	.....	D14/250
9,788,640 B2 *	10/2017	Kroupa	.....	B65H 75/486
D845,955 S *	4/2019	Zhong	.....	D14/439
D850,455 S *	6/2019	Cheng	.....	D14/440
2009/0090750 A1 *	4/2009	Alcenat	.....	A45F 5/00 224/101

- 2010/0222118 A1\* 9/2010 Interdanato ..... A45F 5/00  
455/575.6
- 2011/0284599 A1\* 11/2011 Sternick ..... A45F 5/00  
224/191
- 2013/0146625 A1\* 6/2013 Karle ..... A45F 5/00  
224/217

(Continued)

*Primary Examiner* — Khawaja Anwar

(74) *Attorney, Agent, or Firm* — Daylight Law, P.C.

(57) **CLAIM**

The ornamental design for a clip, as shown and described.

**DESCRIPTION**

FIG. 1 is a top-left perspective view of a clip showing our new design;  
 FIG. 2 is a top view thereof;  
 FIG. 3 is a bottom view thereof;  
 FIG. 4 is a left-side view thereof;  
 FIG. 5 is a right-side view thereof;  
 FIG. 6 is a front view thereof; and,  
 FIG. 7 is a back view thereof.

The broken lines in FIG. 1 showing a phone case, a set of screw heads, and a clip anchor depict environmental subject matter only and form no part of the claimed design.

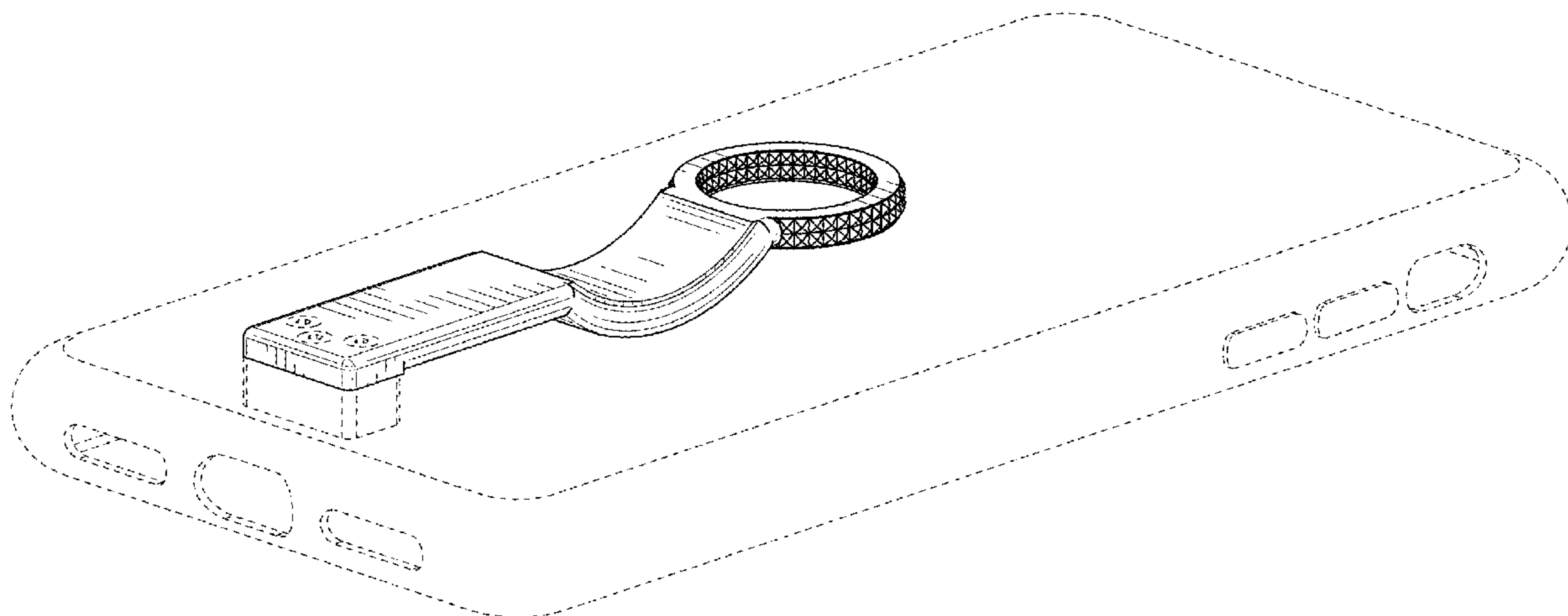
The broken lines in FIG. 2 showing the phone case and the set of screw heads depict environmental subject matter only and form no part of the claimed design.

The broken lines in FIG. 3 showing the clip anchor depict environmental subject matter only and form no part of the claimed design.

The broken lines in FIGS. 4-5 showing the phone case and the clip anchor depict environmental subject matter only and form no part of the claimed design.

The broken lines in FIG. 6 showing the phone case depict environmental subject matter only and form no part of the claimed design.

**1 Claim, 5 Drawing Sheets**



(56)

**References Cited**

U.S. PATENT DOCUMENTS

2015/0122852 A1\* 5/2015 Feng ..... A45F 5/00  
224/191

\* cited by examiner

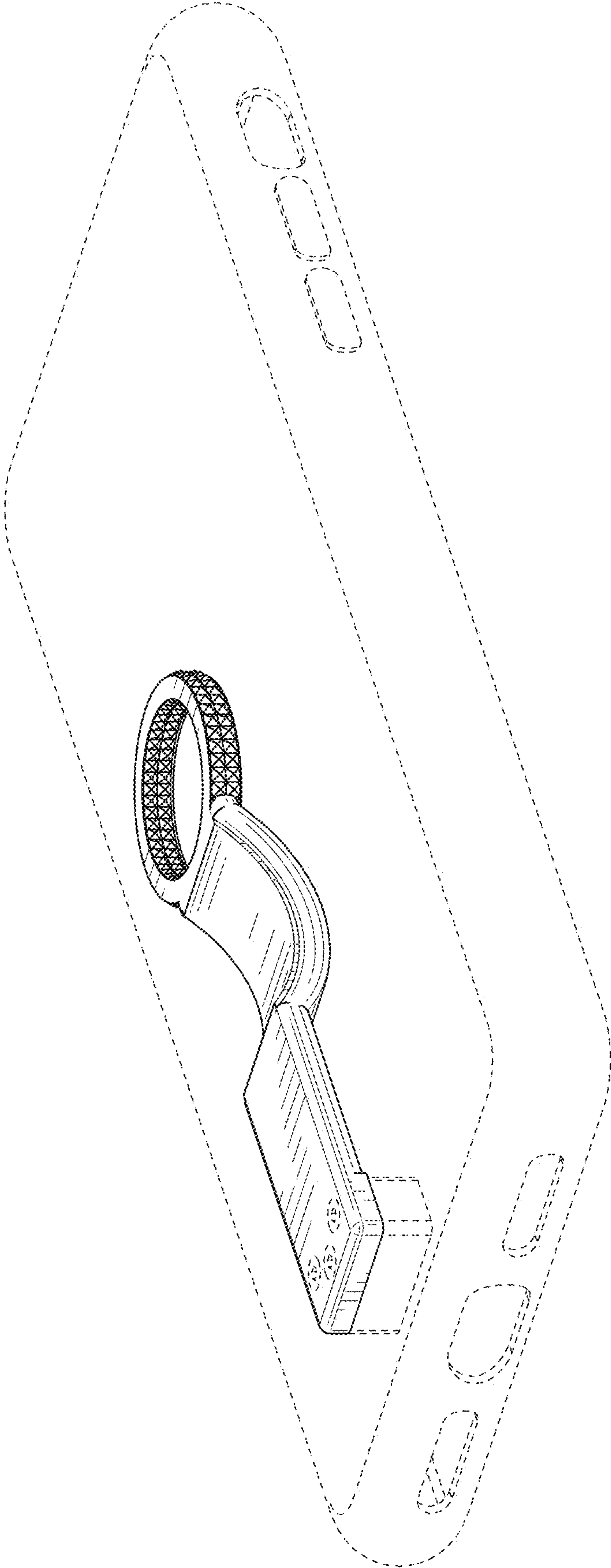


FIG. 1

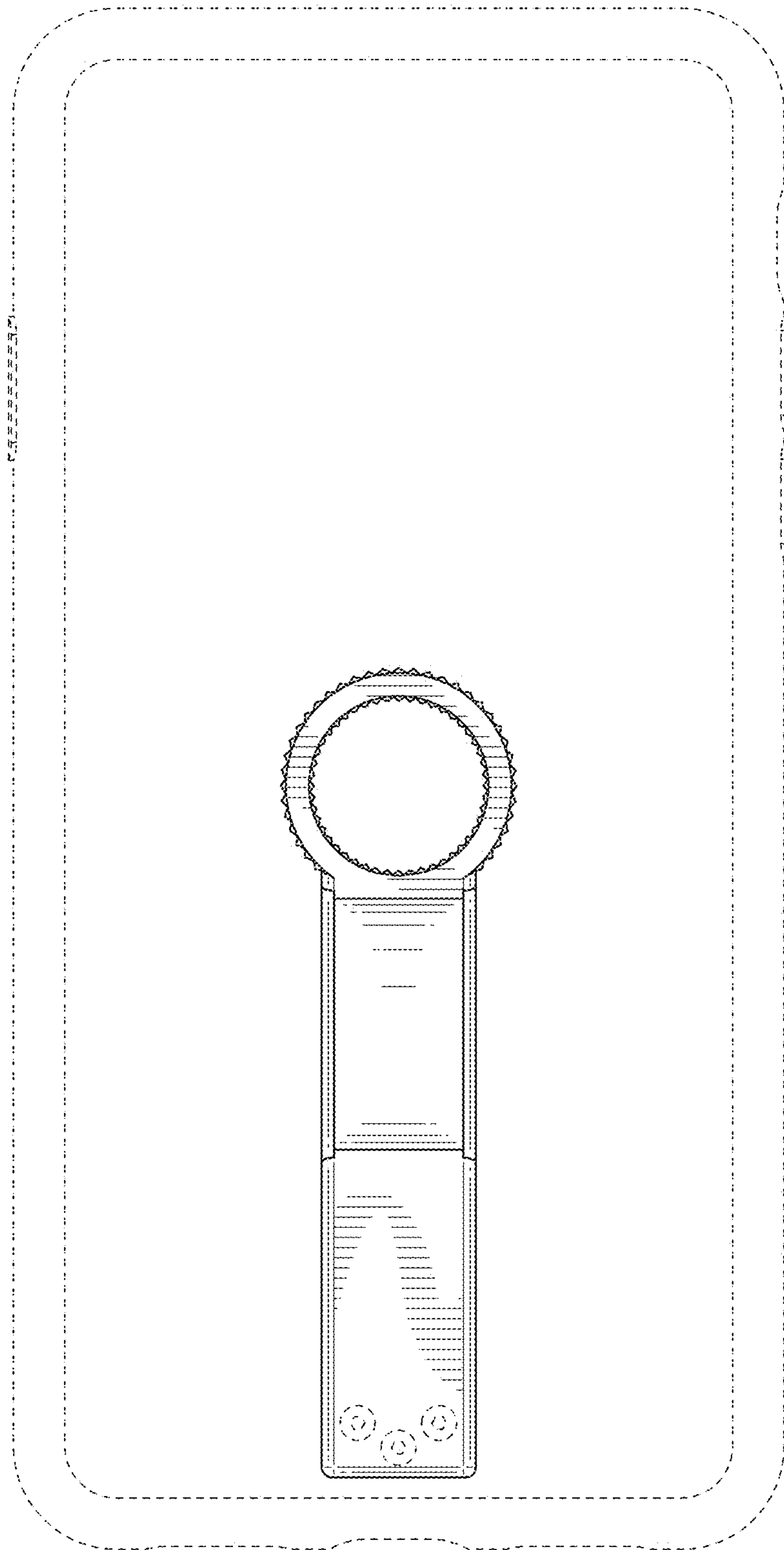


FIG. 2

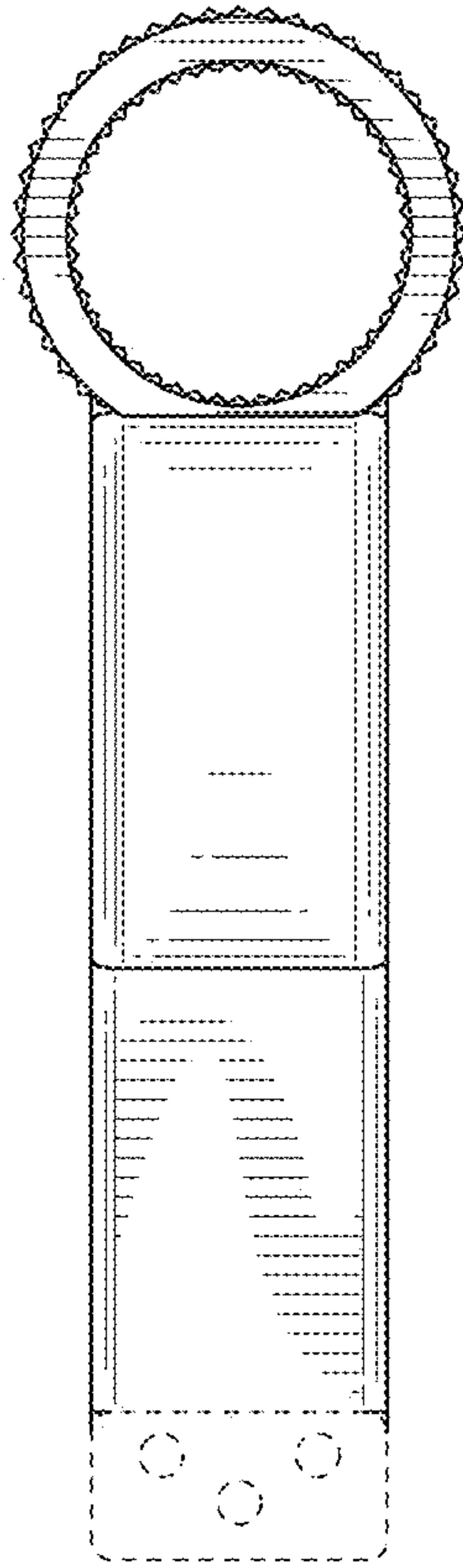


FIG. 3

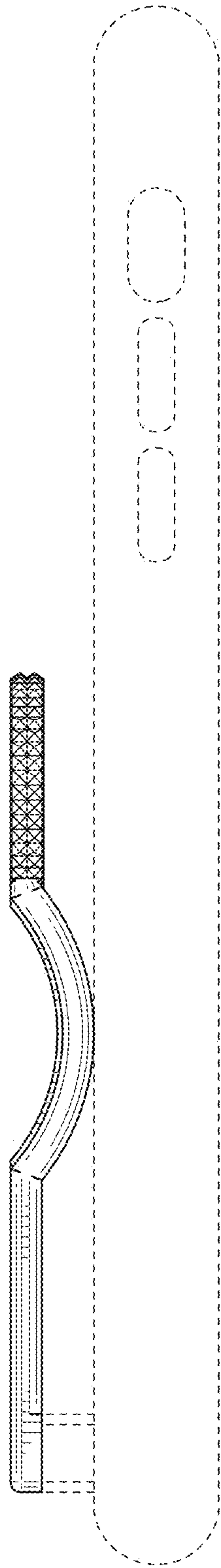


FIG. 4

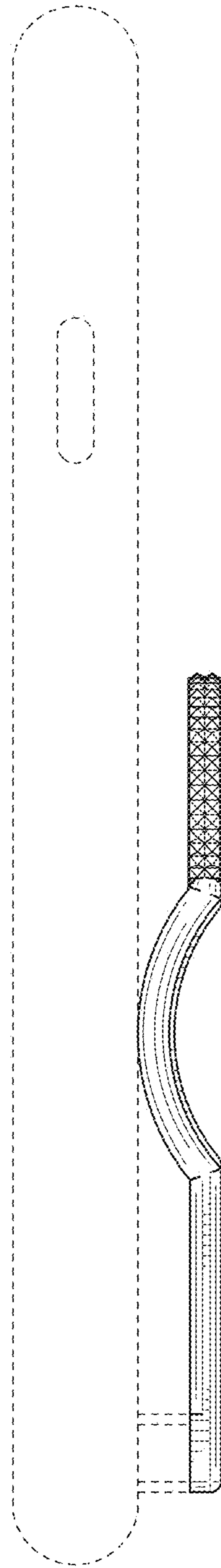


FIG. 5

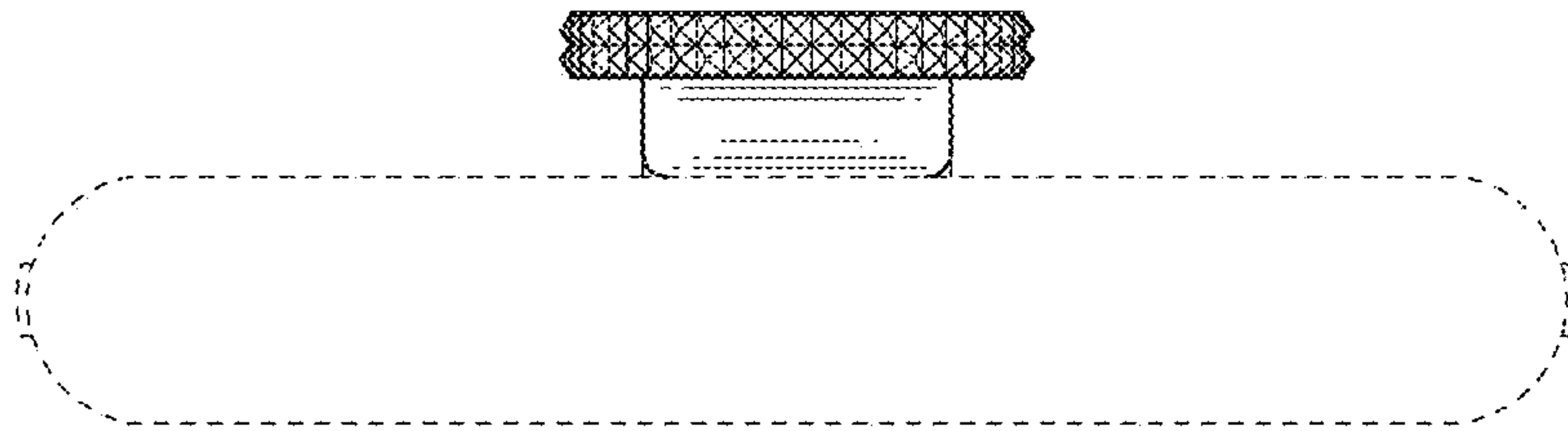


FIG. 6

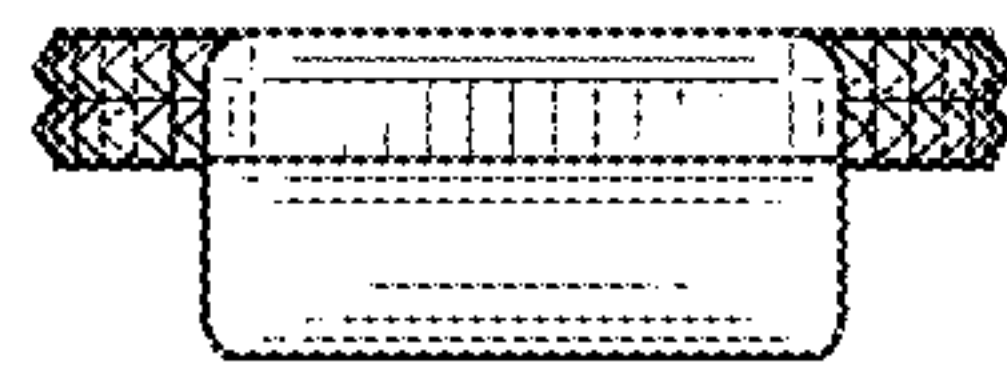


FIG. 7