



US00D905013S

(12) **United States Design Patent** (10) **Patent No.:** **US D905,013 S**
Kuramoto (45) **Date of Patent:** **** Dec. 15, 2020**

(54) **CONTROLLER FOR DIGITAL AUDIO PLAYER**

(71) Applicant: **AlphaTheta Corporation**, Yokohama (JP)

(72) Inventor: **Takahiro Kuramoto**, Yokohama (JP)

(73) Assignee: **ALPHATHETA CORPORATION**, Yokohamashi (JP)

(**) Term: **15 Years**

(21) Appl. No.: **29/689,097**

(22) Filed: **Apr. 26, 2019**

(30) **Foreign Application Priority Data**

Jan. 31, 2019 (JP) 2019-001887

(51) **LOC (12) Cl.** **14-03**

(52) **U.S. Cl.**
USPC **D14/217**

(58) **Field of Classification Search**

USPC D14/217, 257, 258, 434, 496, 162, 167, D14/175, 188, 196-198; D13/162, 164, D13/171, 174

CPC G10H 1/0066; G10H 1/0008; G10H 2220/106; G10H 1/32; G10H 2220/096; G10H 2230/015; G10H 1/38; G10H 1/0091; G10H 2210/125; G10H 1/34; G10H 1/348; G10H 1/02; G10H 1/46; G10H 1/0025; G10H 2210/066; G10H 2220/201; G10H 2220/241; G10H 2240/211; G10H 7/008; G10H 7/02; G10H 1/0058; G10H 2230/021; G10H 3/146; G10H 7/00; G10H 1/00; G10H 1/28; G10H 1/342; G10H 1/36; G10H 1/383; G10H 2210/081; G10H 2210/095; G10H 3/188; G10H 1/0033; G10H 1/0083; G10H 1/0575; G10H 1/06; G10H 1/18; G10H 1/386; G10H 2220/101

See application file for complete search history.

(56) **References Cited**

U.S. PATENT DOCUMENTS

D771,594 S *	11/2016	Hong	D14/217
D778,263 S *	2/2017	Martel	D14/217
D806,058 S *	12/2017	Kimura	D14/217
D807,329 S *	1/2018	Kim	D14/217
D813,842 S *	3/2018	Kimura	D14/217
D846,528 S *	4/2019	Kuramoto	D14/217
D872,056 S *	1/2020	Akaishi	D14/217

OTHER PUBLICATIONS

Japanese Notice of Allowance and Notification dated Jul. 2, 2019, Application No. 2019-001887, 2 pages.
“Native Instruments Traktor Kontrol S2 MK2 DJ Controller: Musical Instruments”, (Publication Material No. HJ25056686), Amazon.com, 10 pages.

* cited by examiner

Primary Examiner — Khawaja Anwar

(74) *Attorney, Agent, or Firm* — Rankin, Hill & Clark LLP

(57) **CLAIM**

The ornamental design for a controller for digital audio player, as shown and described.

DESCRIPTION

FIG. 1 is an upper-right-front perspective view showing the controller for digital audio player of our design; FIG. 2 is a lower-left-back perspective view thereof; FIG. 3 is a front view thereof; FIG. 4 is a rear view thereof; FIG. 5 is a left-side view thereof; FIG. 6 is a right-side view thereof; FIG. 7 is a top view thereof; and, FIG. 8 is a bottom view thereof.

1 Claim, 8 Drawing Sheets

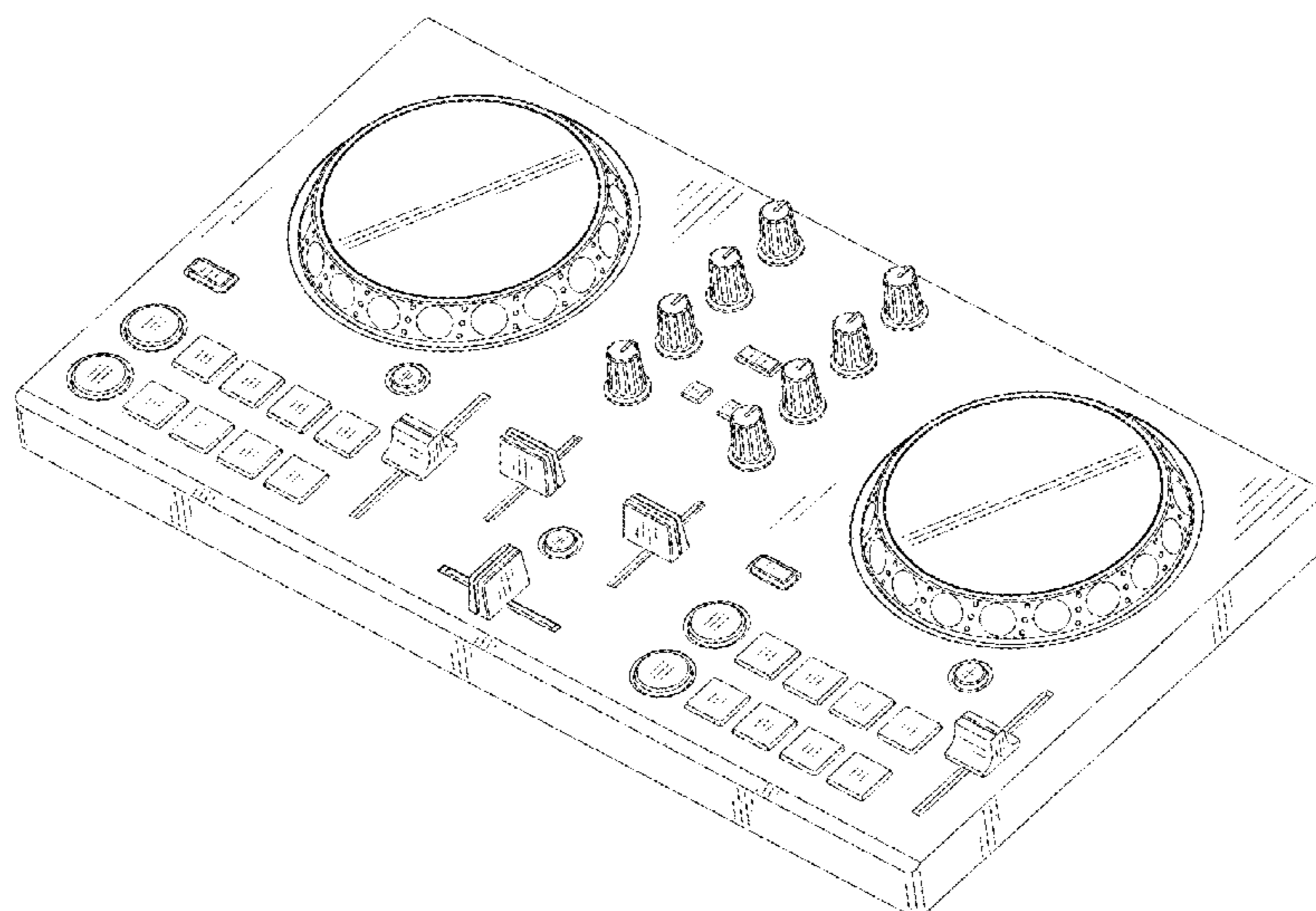


FIG. 1

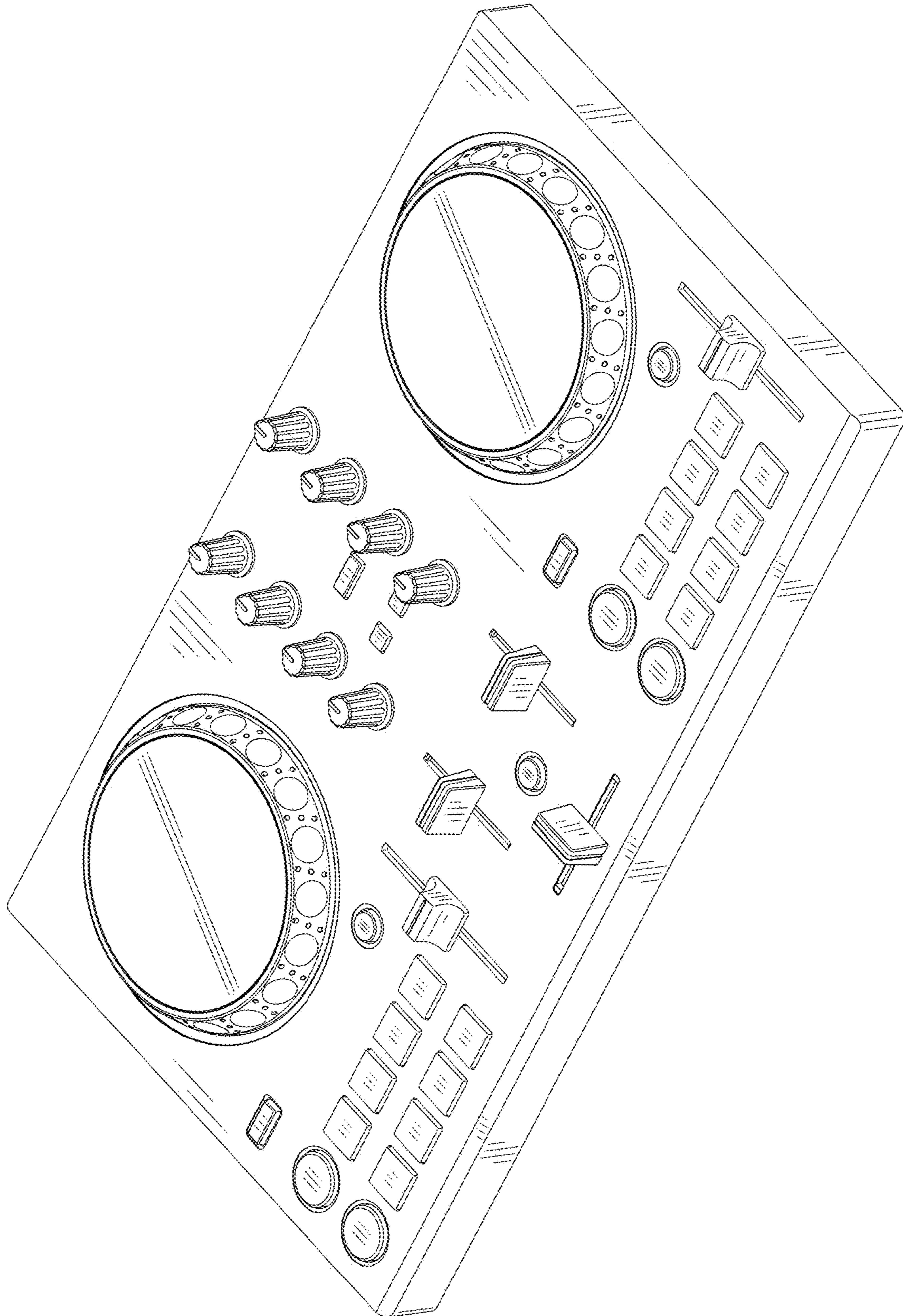


FIG. 2

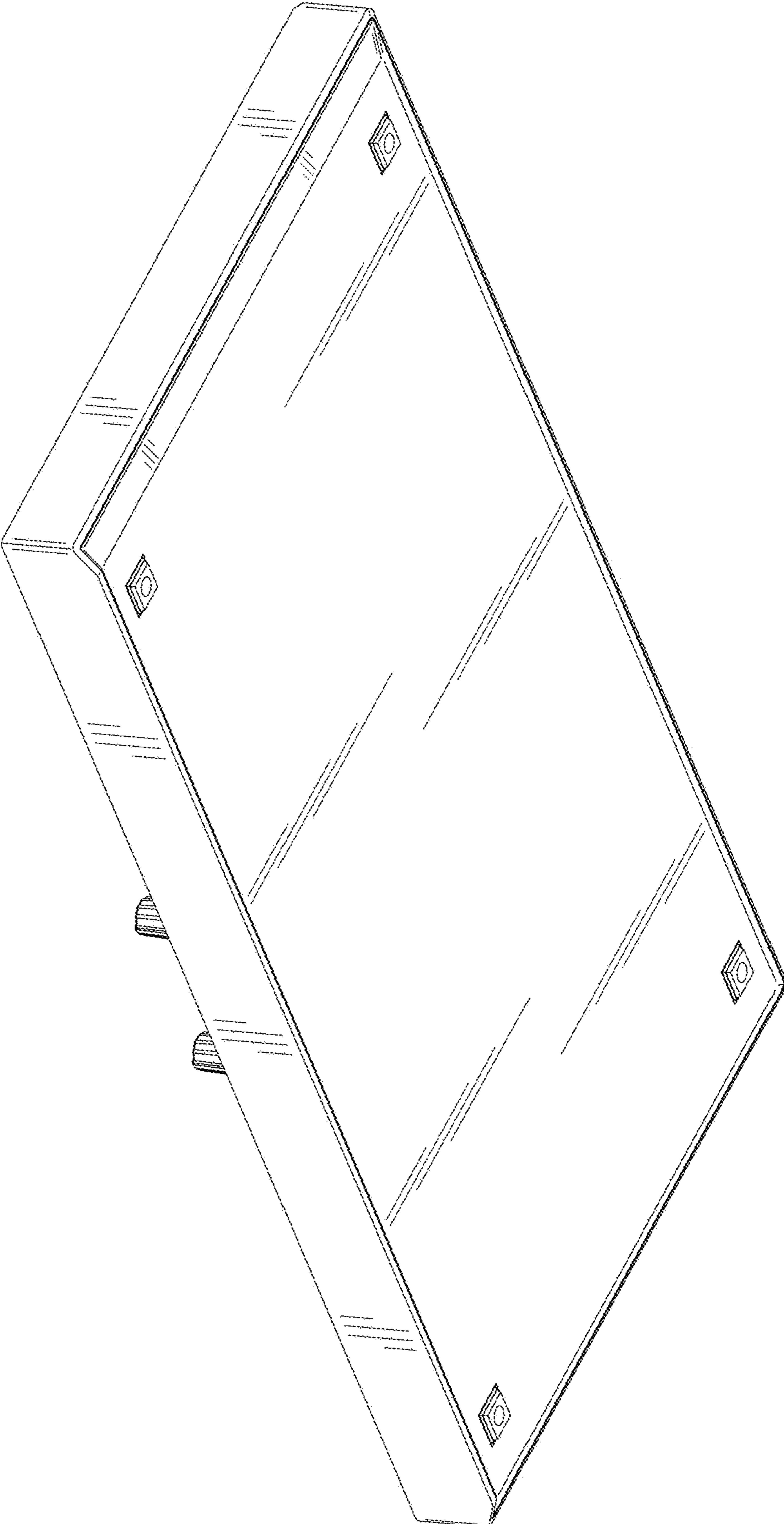


FIG. 3

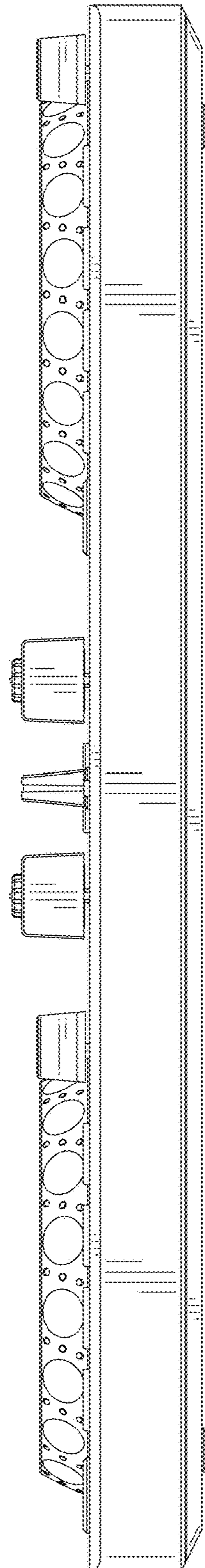


FIG. 4

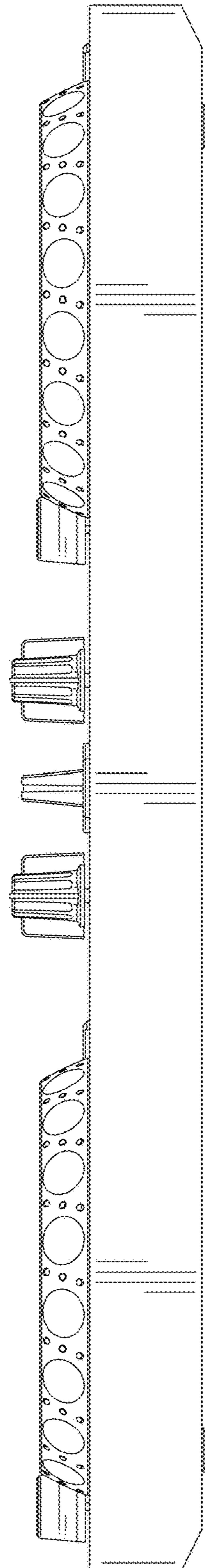


FIG. 5

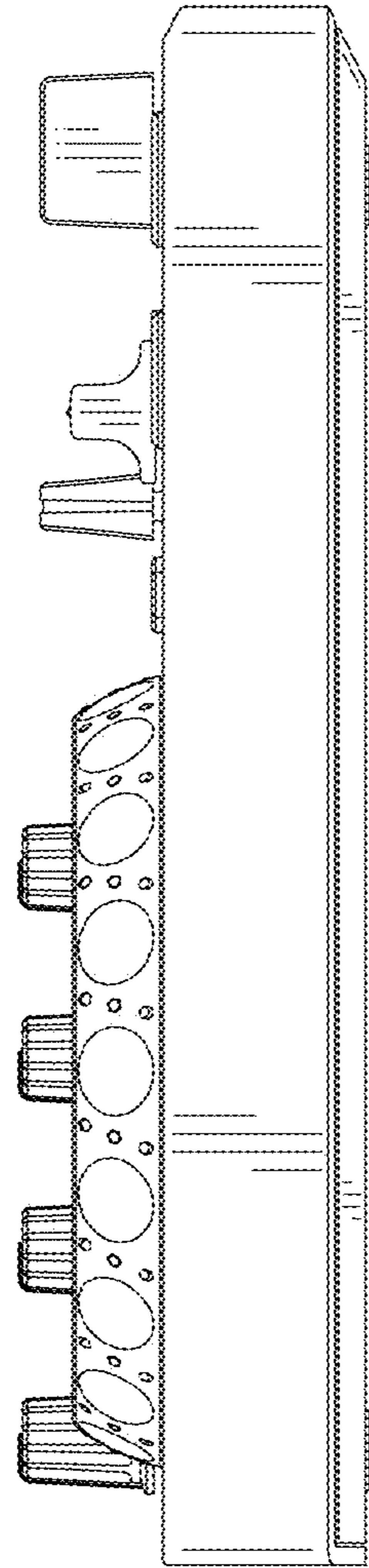


FIG. 6

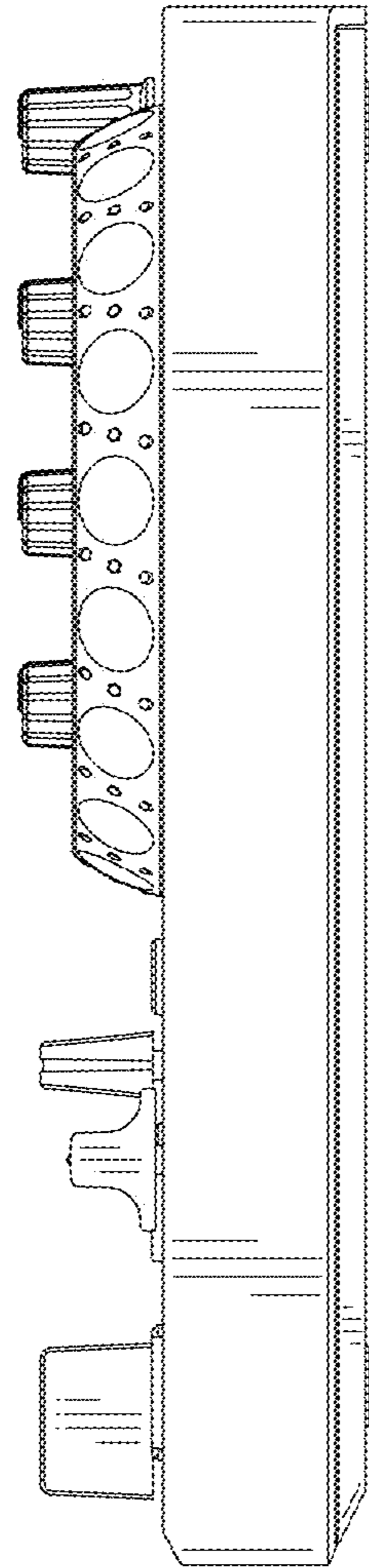


FIG. 7

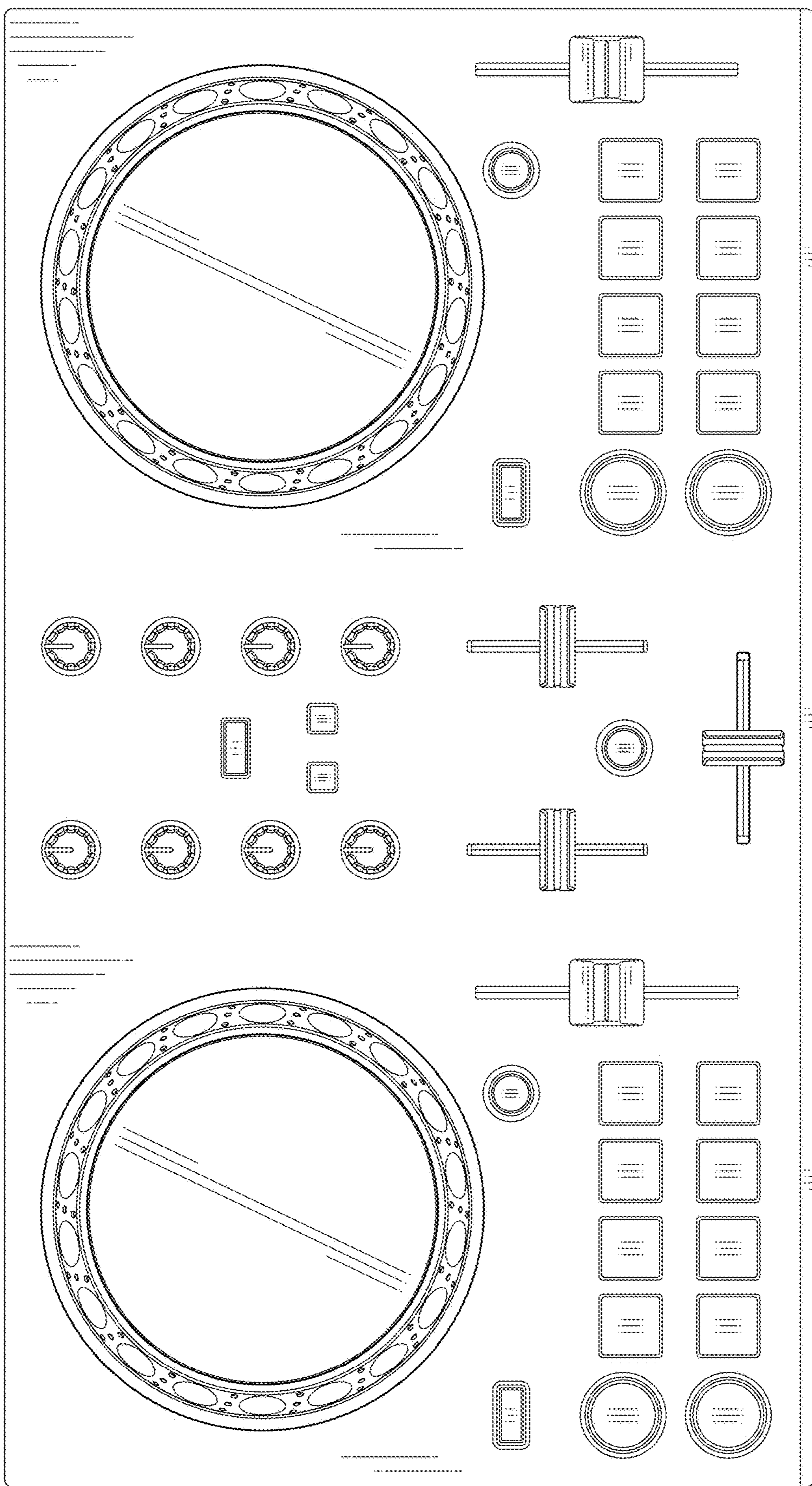


FIG. 8

