



US00D905008S

(12) **United States Design Patent** (10) **Patent No.:** **US D905,008 S**  
**Kim et al.** (45) **Date of Patent:** **\*\* Dec. 15, 2020**

(54) **AUDIO PLAYER**

(71) Applicant: **LG ELECTRONICS INC.**, Seoul (KR)

(72) Inventors: **Kyungmin Kim**, Seoul (KR); **Sooyoung Park**, Seoul (KR); **Seongahn Jeon**, Seoul (KR)

(73) Assignee: **LG ELECTRONICS INC.**, Seoul (KR)

(\*\*) Term: **15 Years**

(21) Appl. No.: **35/505,480**

(22) Filed: **Feb. 13, 2018**

(80) **Hague Agreement Data**

Int. Filing Date: **Feb. 13, 2018**  
Int. Reg. No.: **DM/100384**  
Int. Reg. Date: **Feb. 13, 2018**  
Int. Reg. Pub. Date: **Aug. 17, 2018**

(30) **Foreign Application Priority Data**

Aug. 17, 2017 (KR) ..... 30-2017-0038294

(51) **LOC (12) Cl.** ..... **14-01**

(52) **U.S. Cl.**  
USPC ..... **D14/209.1**

(58) **Field of Classification Search**  
USPC .... D14/172, 175, 204, 209.1, 214, 215, 496  
CPC . H04R 1/02; H04R 25/00; H04R 1/28; H04R 9/06; H05K 5/00; H05K 5/02; G10K 11/00; B62B 1/00  
See application file for complete search history.

(56) **References Cited**

**U.S. PATENT DOCUMENTS**

D504,409 S \* 4/2005 Kim ..... D14/203.3  
D553,155 S \* 10/2007 Kim ..... D14/496

D563,429 S \* 3/2008 Langen ..... D14/496  
D577,743 S \* 9/2008 Liu ..... D14/496  
D598,897 S \* 8/2009 Arneson ..... D14/214  
D614,669 S \* 4/2010 Strauser ..... D14/496  
D695,270 S \* 12/2013 Lam ..... D14/211  
D695,787 S \* 12/2013 Otani ..... D14/203.1  
D719,976 S \* 12/2014 Bang ..... D14/203.1  
D730,942 S \* 6/2015 Wong ..... D14/203.1  
D747,288 S \* 1/2016 Han ..... D14/203.3  
D754,097 S \* 4/2016 Pineau ..... D14/204  
D786,307 S \* 5/2017 Akana ..... D14/496  
D806,058 S \* 12/2017 Kimura ..... D14/217  
D814,437 S \* 4/2018 HonRDI ..... D14/168  
D826,902 S \* 8/2018 Eaton ..... D14/209.1  
D826,903 S \* 8/2018 Yang ..... D14/210  
D836,601 S \* 12/2018 Yang ..... D14/209.1

\* cited by examiner

*Primary Examiner* — Bao-Yen T Nguyen

(74) *Attorney, Agent, or Firm* — Birch, Stewart, Kolasch & Birch, LLP

(57) **CLAIM**

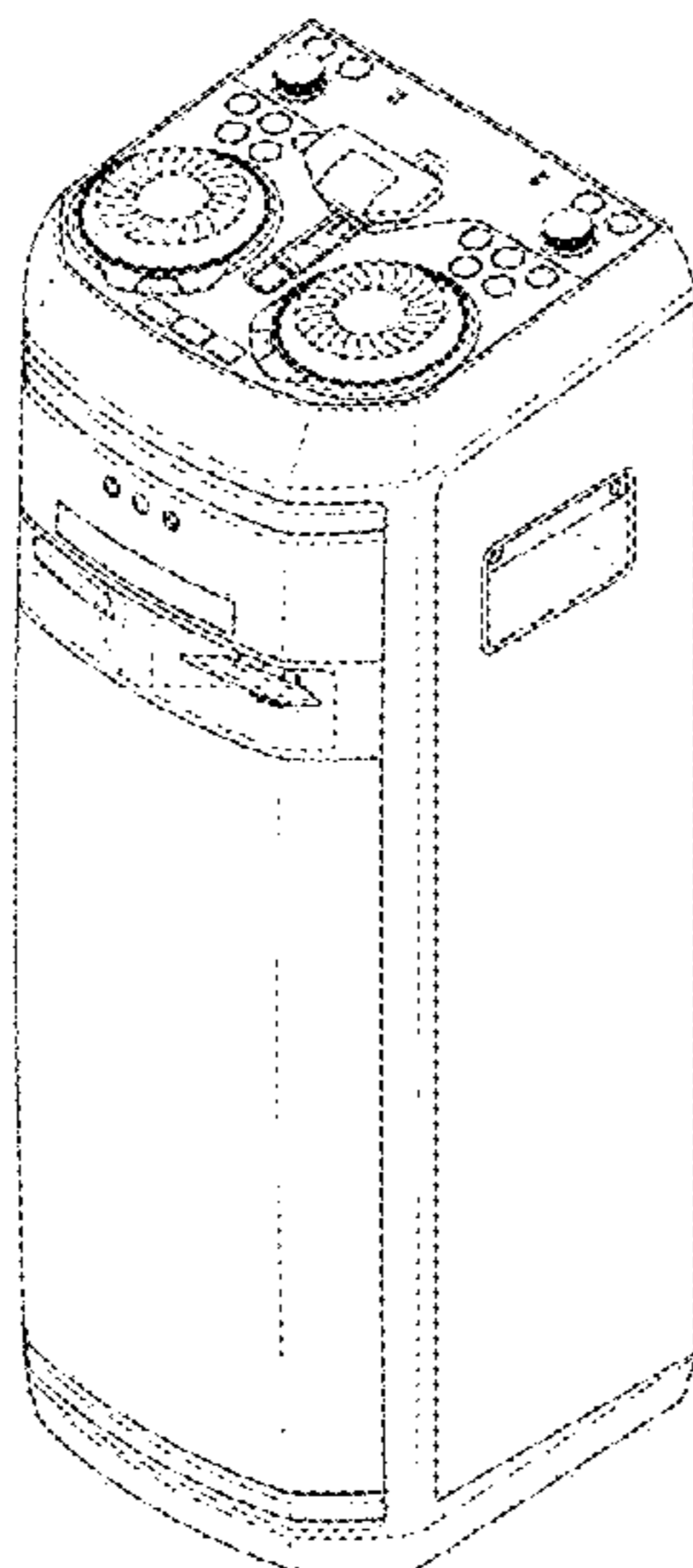
The ornamental design for an audio player, as shown and described.

**DESCRIPTION**

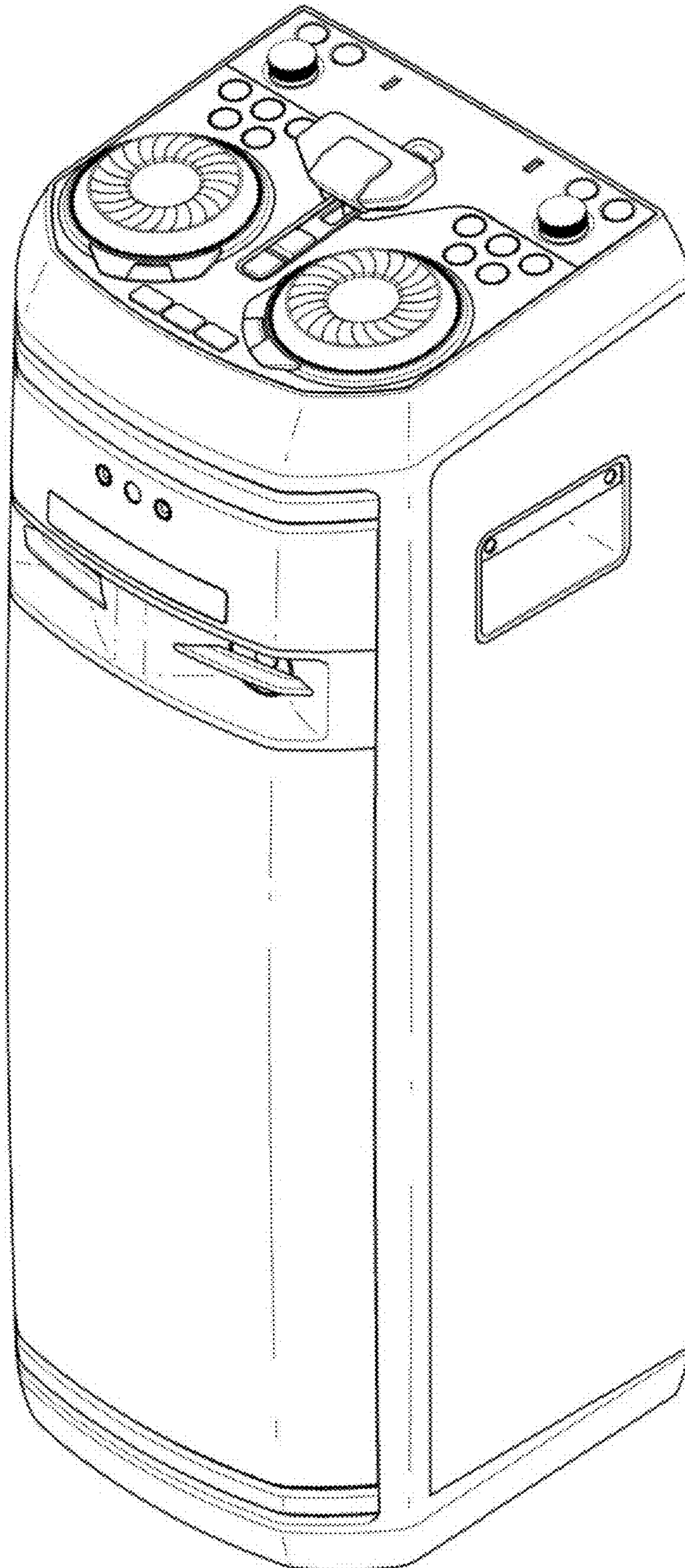
- 1. Audio player
- 1.1 : Perspective
- 1.2 : Front
- 1.3 : Back
- 1.4 : Left
- 1.5 : Right
- 1.6 : Top
- 1.7 : Bottom

The bottom surface shown in reproduction 1.7 is flat.

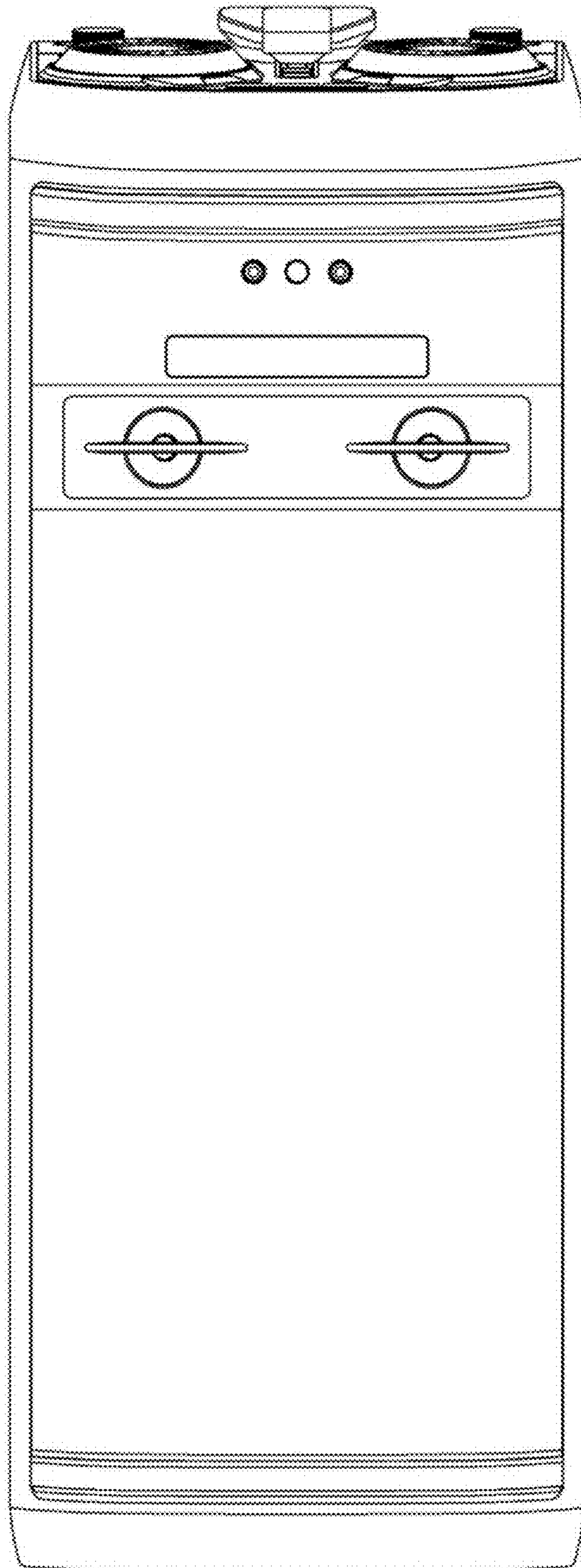
**1 Claim, 7 Drawing Sheets**



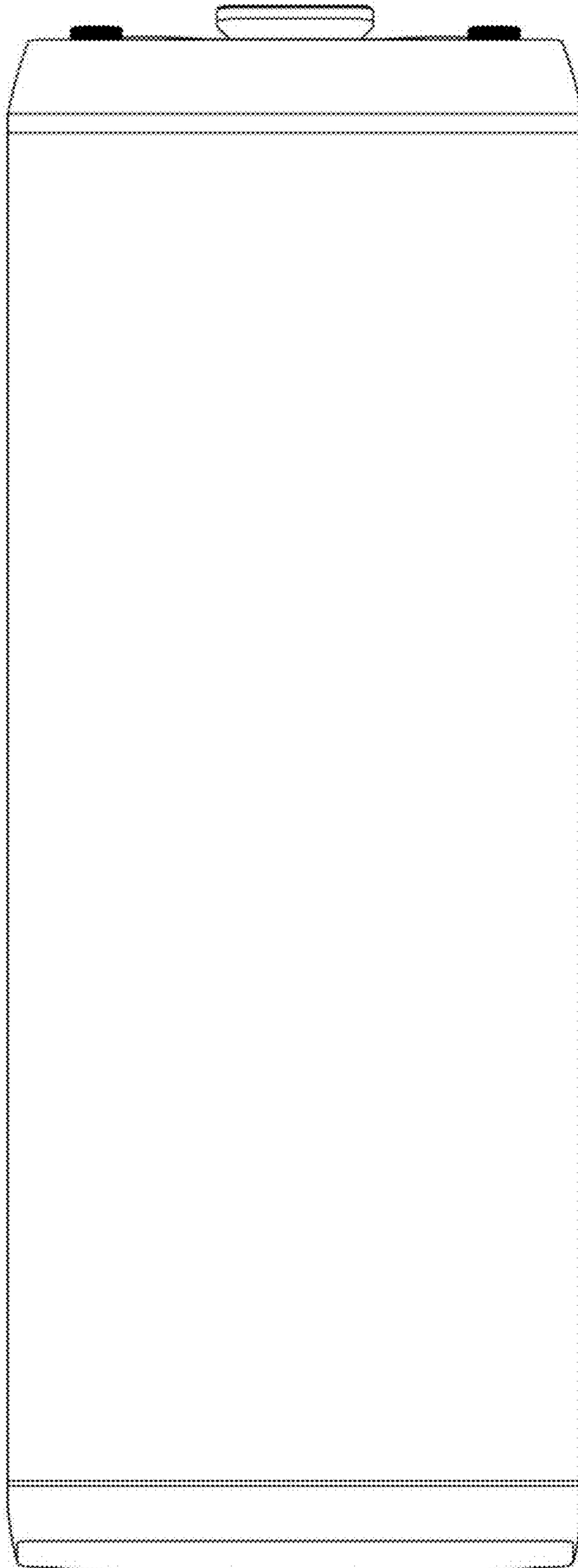
1.1



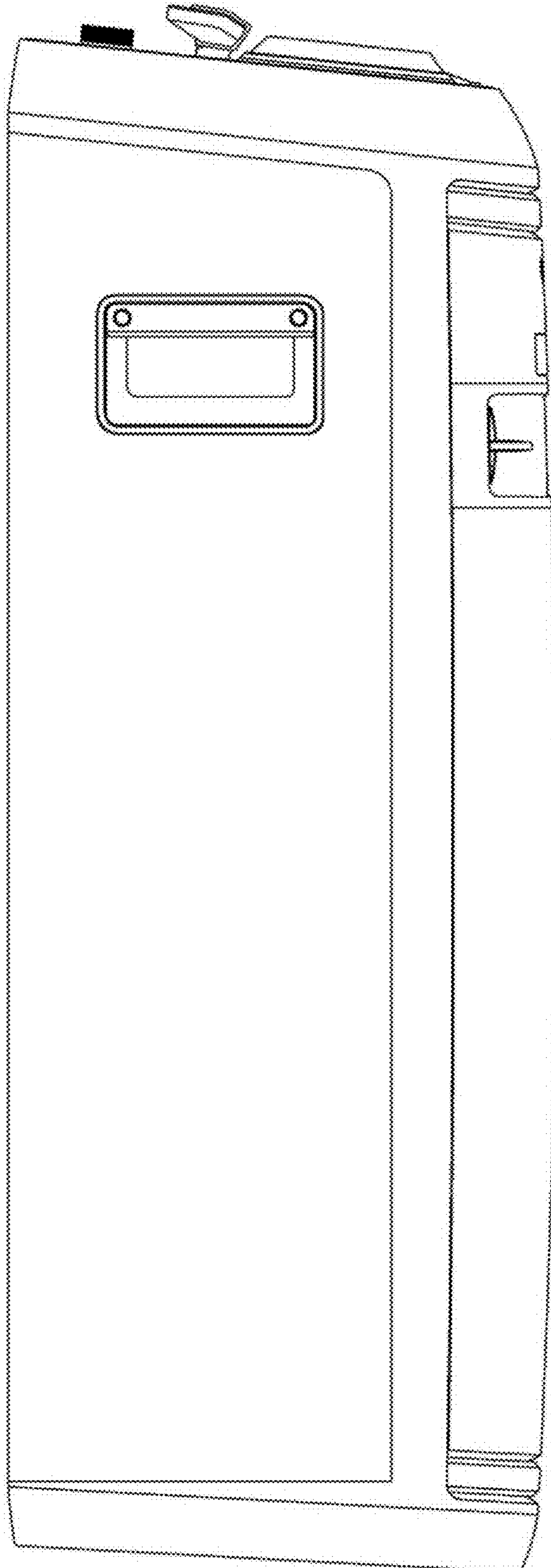
1.2



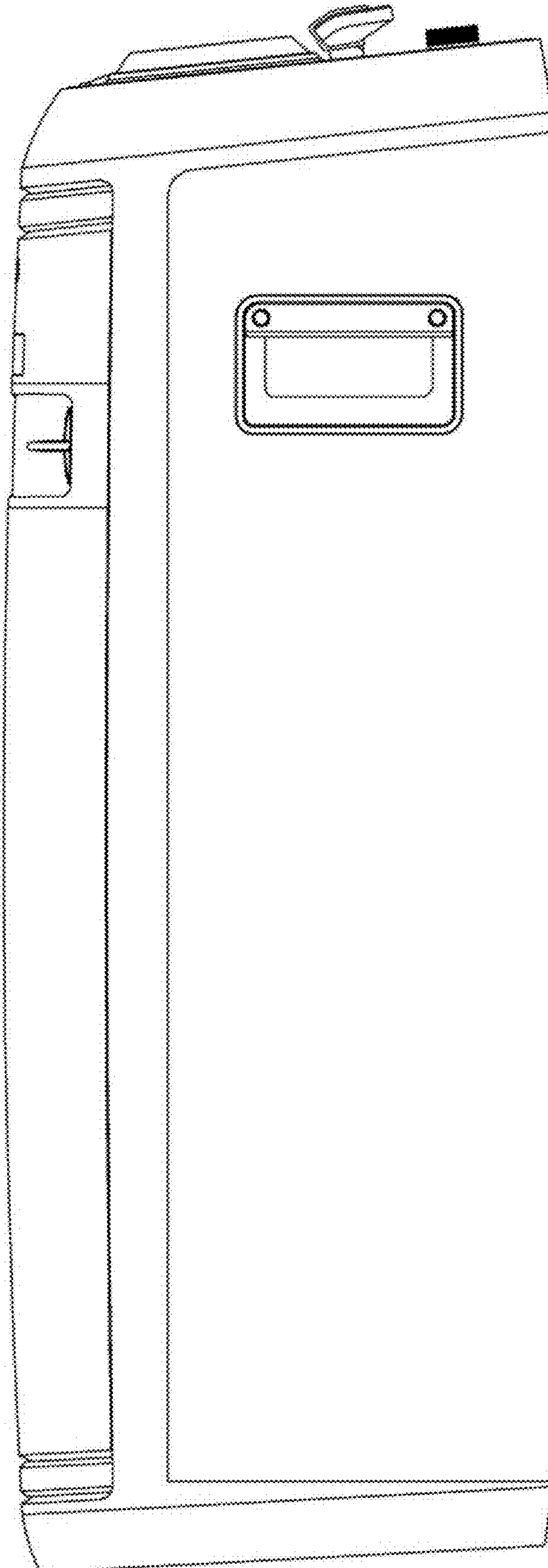
1.3



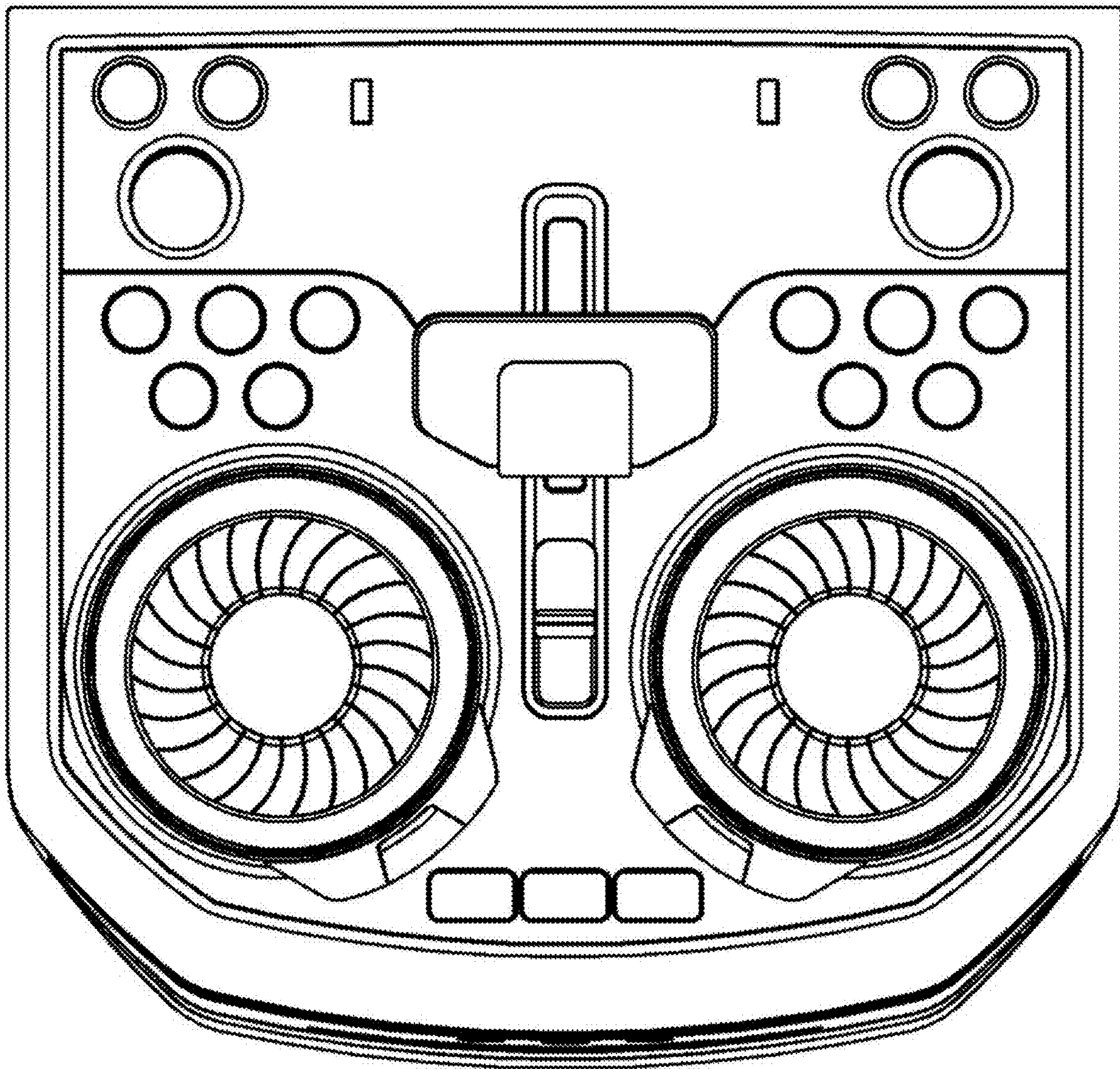
1.4



1.5



1.6



1.7

