



US00D905007S

(12) **United States Design Patent** (10) **Patent No.:** **US D905,007 S**  
**Yu et al.** (45) **Date of Patent:** **\*\* Dec. 15, 2020**

(54) **SPEAKER WITH DISPLAY** 2400/00; H04R 2201/07; H04R 2499/11;  
H04R 2499/13; H04R 2499/15; H04S

(71) Applicant: **SHENZHEN ROYOLE TECHNOLOGIES CO. LTD.,** Shenzhen (CN) See application file for complete search history.  
3/00; H04S 7/30

(72) Inventors: **Xicheng Yu**, Shenzhen (CN); **Weidong Zhang**, Shenzhen (CN)

(73) Assignee: **SHENZHEN ROYOLE TECHNOLOGIES CO., LTD.,** Shenzhen (CN)

(\*\*) Term: **15 Years**

(21) Appl. No.: **29/694,611**

(22) Filed: **Jun. 12, 2019**

(30) **Foreign Application Priority Data**

Dec. 13, 2018 (CN) ..... 2018 3 0723740

(51) **LOC (12) Cl.** ..... **14-01**

(52) **U.S. Cl.**  
USPC ..... **D14/209.1**

(58) **Field of Classification Search**  
USPC ..... D14/167, 168, 170–172, 187, 188,  
D14/194–196, 204, 207, 209.1, 210–216,  
D14/219, 221, 222, 224, 239, 496;  
181/143, 144, 147, 148, 150, 153, 157,  
181/198, 199; 381/300–303, 306, 332,  
381/333, 336, 345, 361–364, 386–388;  
369/6–12

CPC ..... B60R 11/0217; G06F 1/1688; G10K 9/22;  
G10K 11/004; H03F 1/327; H04M 1/03;  
H04M 1/035; H04N 5/642; H04N  
21/4852; H04R 1/02; H04R 1/06; H04R  
1/021; H04R 1/025; H04R 1/026; H04R  
1/028; H04R 1/105; H04R 1/323; H04R  
1/403; H04R 1/2803; H04R 1/2834;  
H04R 5/02; H04R 7/20; H04R 9/06;  
H04R 9/025; H04R 2201/021; H04R

(56) **References Cited**

U.S. PATENT DOCUMENTS

D214,321 S *	6/1969	Duern	.....	D14/212
D217,354 S *	4/1970	Worth	.....	D14/212
D249,683 S *	9/1978	Rams	.....	D14/211
D343,231 S *	1/1994	Lim	.....	D14/210
D534,525 S *	1/2007	Peng	.....	D14/216
D540,780 S *	4/2007	Kim	.....	D14/211
D643,017 S *	8/2011	Kim	.....	D14/211
D804,444 S *	12/2017	Ahn	.....	D14/204
D819,596 S *	6/2018	Sun	.....	D14/211
D849,718 S *	5/2019	Park	.....	D14/216
D853,354 S *	7/2019	Demin	.....	D14/211

(Continued)

*Primary Examiner* — Katie Jane Stofko

(74) *Attorney, Agent, or Firm* — Hauptman Ham, LLP

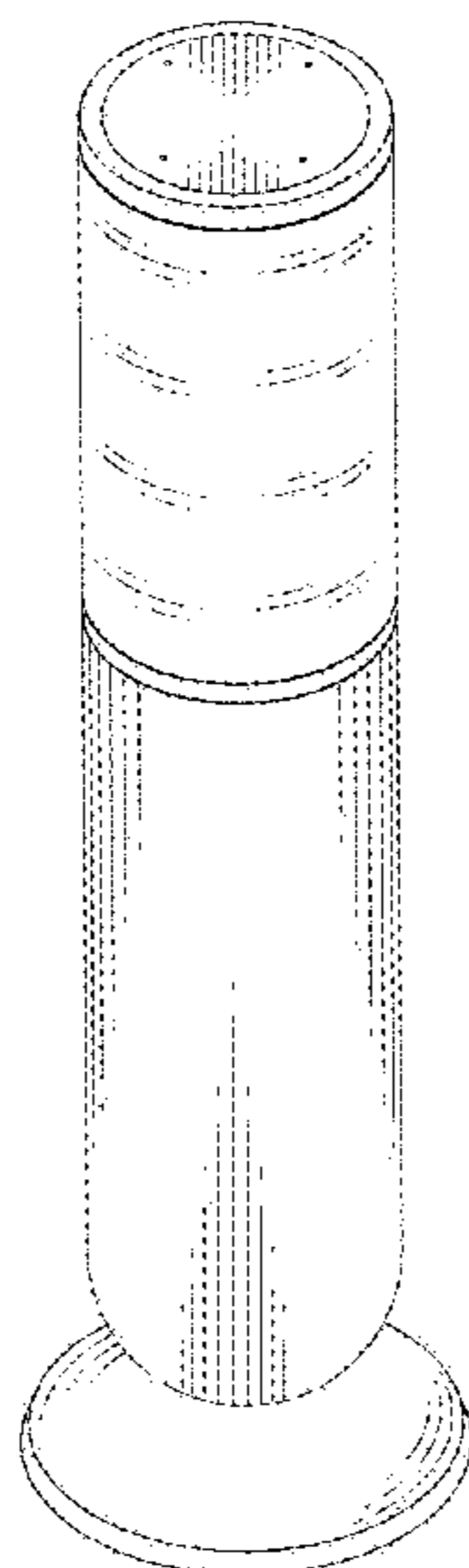
(57) **CLAIM**

The ornamental design for a speaker with display, as shown and described.

**DESCRIPTION**

FIG. 1 is a front elevation view of a speaker with display showing the new design;  
FIG. 2 is a rear elevation view thereof;  
FIG. 3 is a left side elevation view thereof;  
FIG. 4 is a right side elevation view thereof;  
FIG. 5 is a top plan view thereof;  
FIG. 6 is a bottom plan view thereof;  
FIG. 7 is a top, front perspective view thereof; and,  
FIG. 8 is a top, front, left perspective view thereof, shown in an alternate position.  
The shade lines in the Figures show contour and not surface ornamentation.

**1 Claim, 8 Drawing Sheets**



(56)

**References Cited**

U.S. PATENT DOCUMENTS

D880,455 S \* 4/2020 Wahlgren ..... D14/216  
2019/0090049 A1\* 3/2019 Xie ..... H04R 1/345

\* cited by examiner

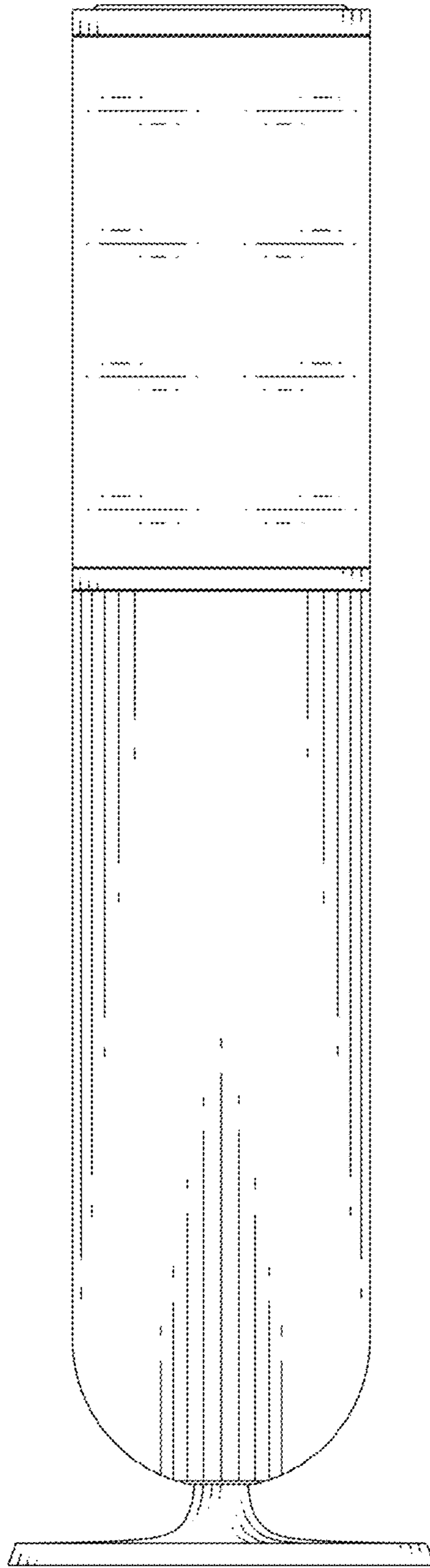


FIG. 1

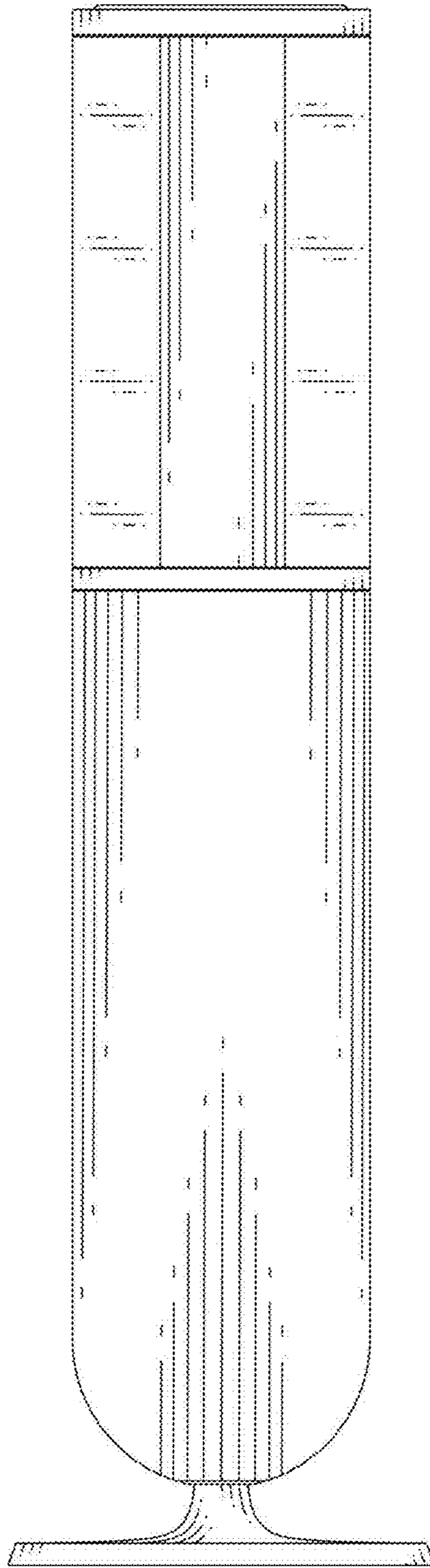


FIG. 2

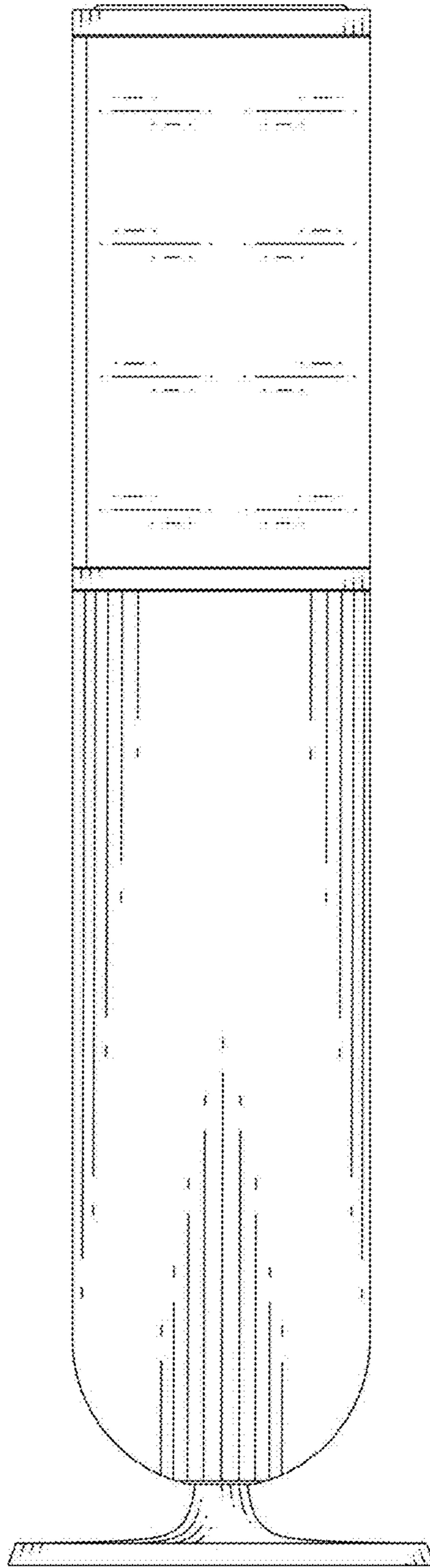


FIG. 3

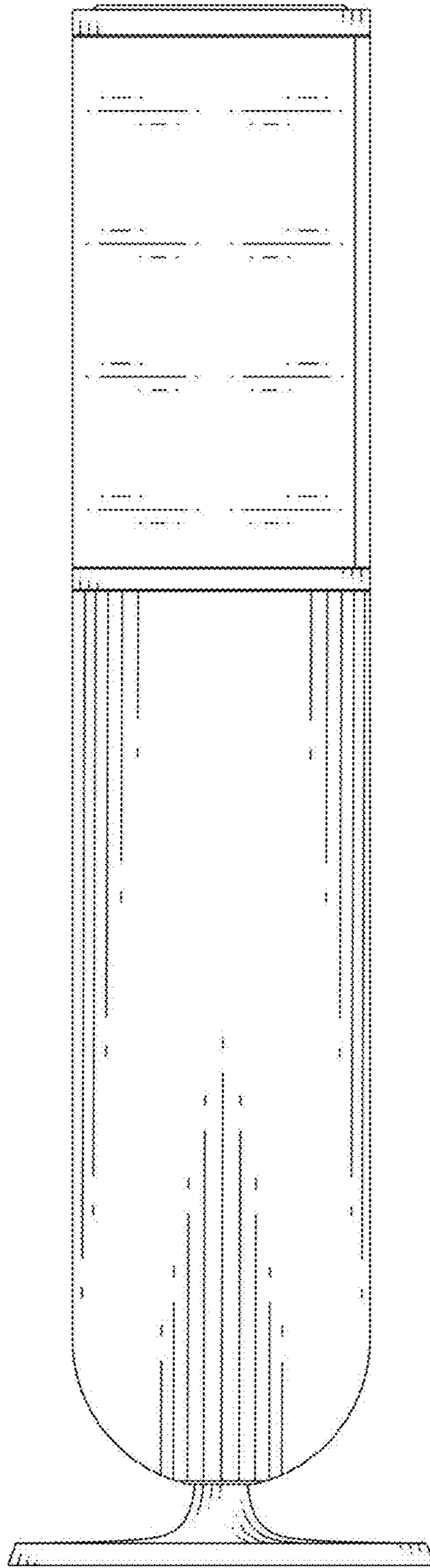


FIG. 4

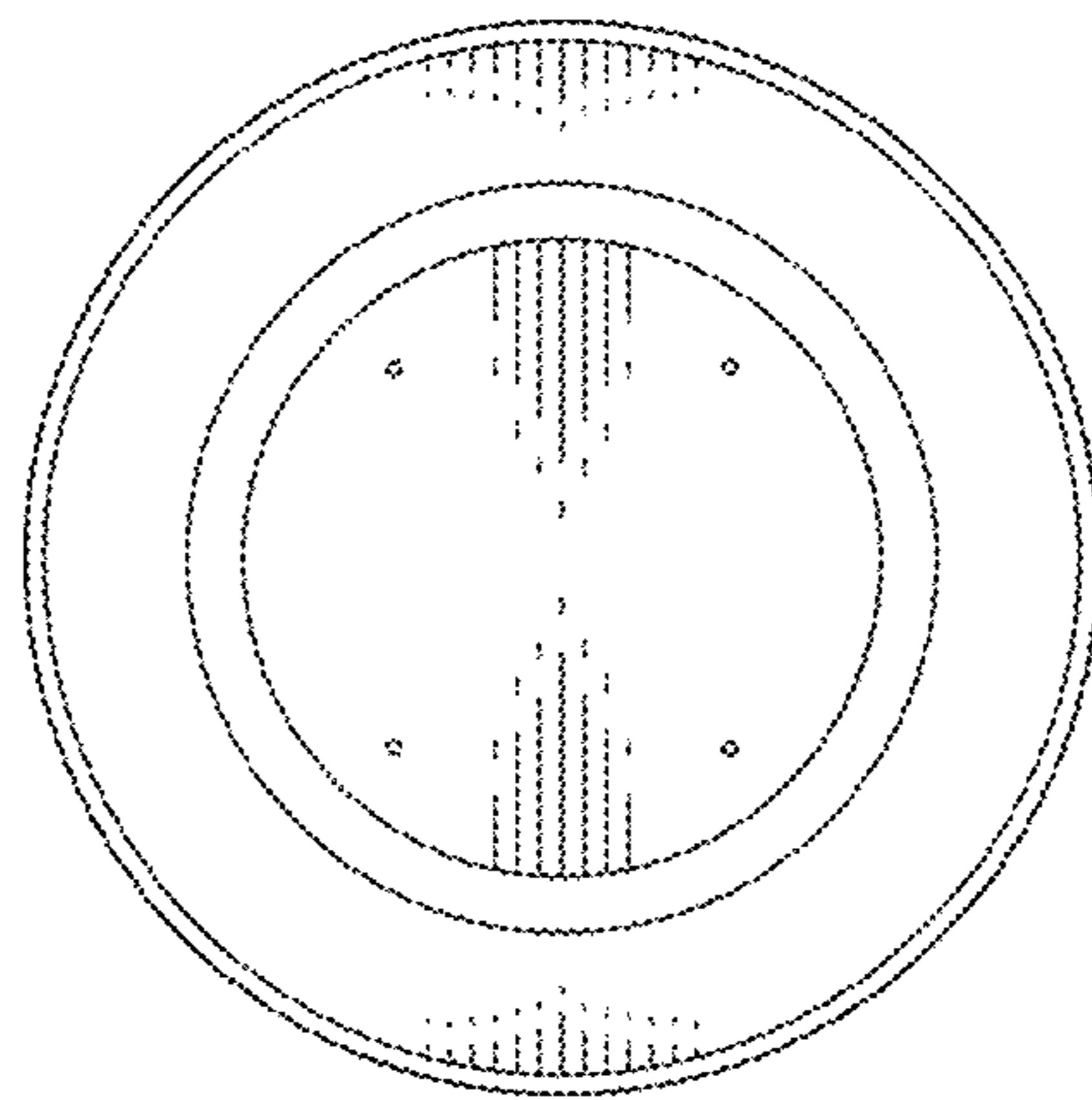


FIG. 5

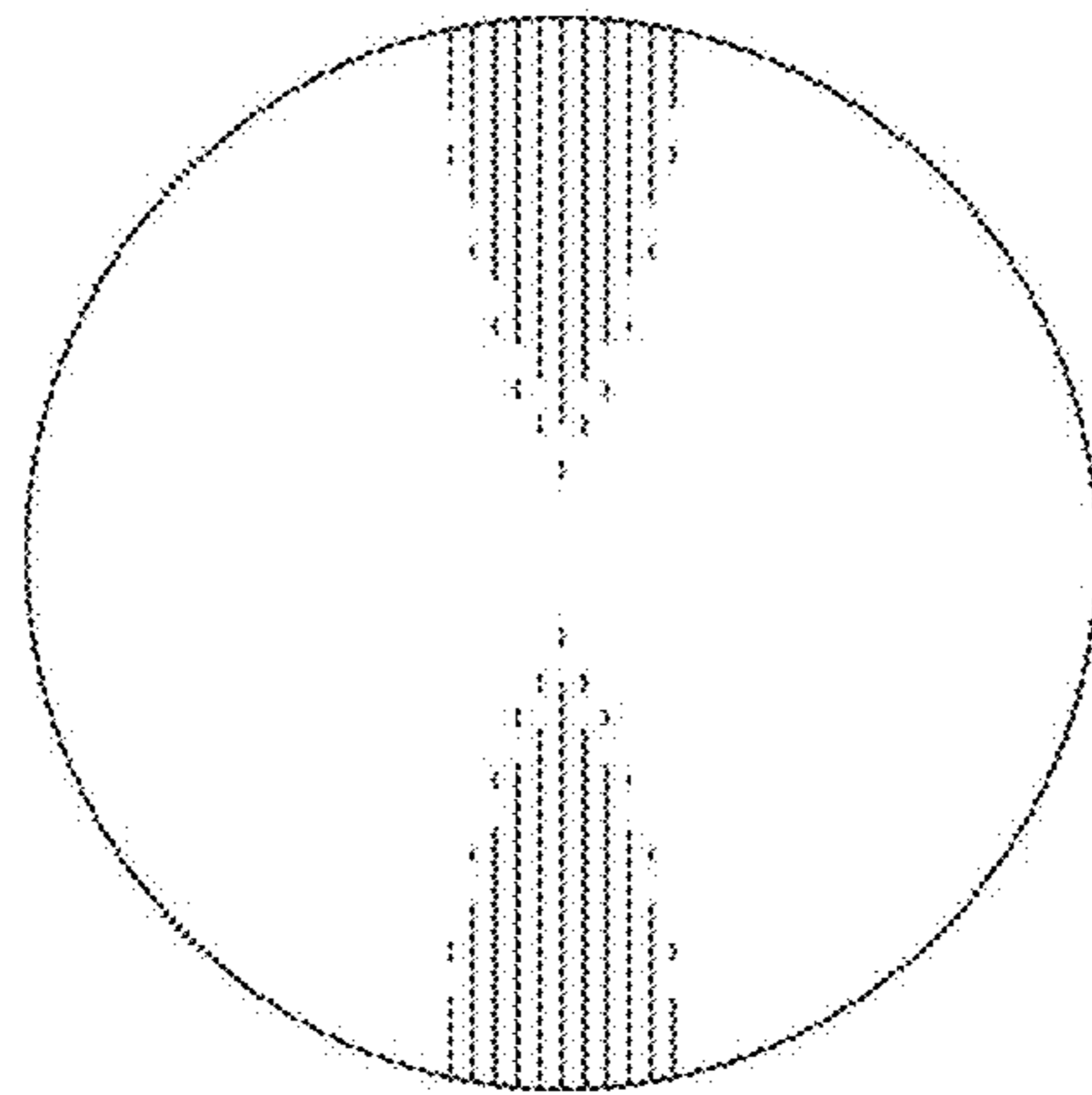


FIG. 6



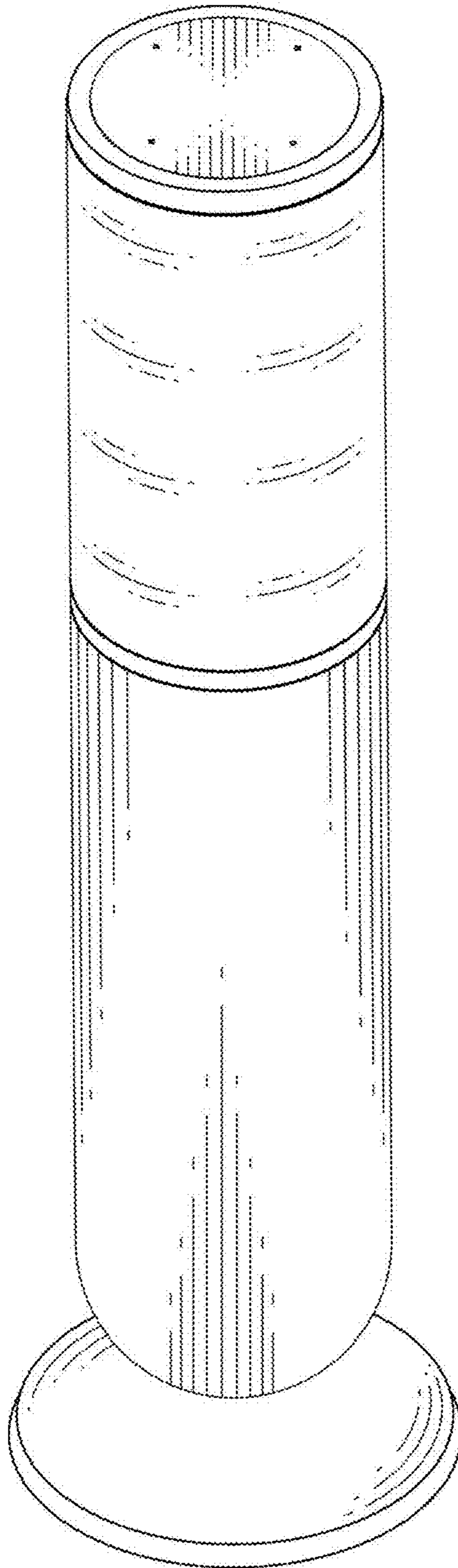


FIG. 7

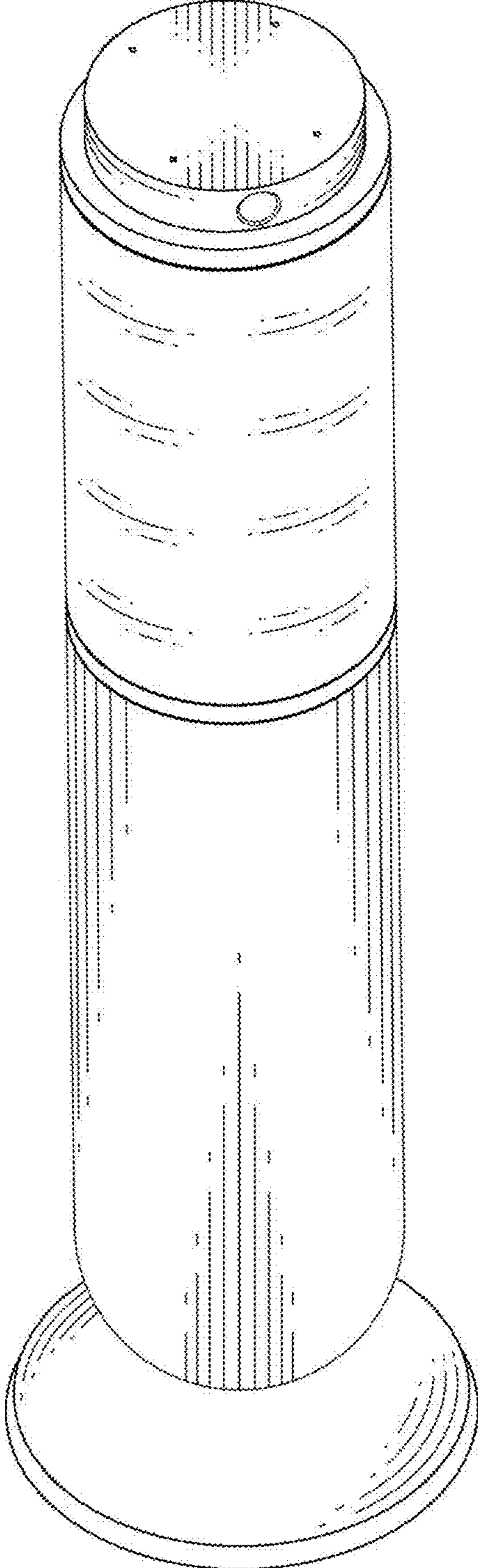


FIG. 8