



US00D905006S

(12) **United States Design Patent**
Cohen

(10) **Patent No.:** **US D905,006 S**
(45) **Date of Patent:** **** Dec. 15, 2020**

(54) **SHIP-SHAPED SPEAKER**

DESCRIPTION

(71) Applicant: **Daniel Cohen**, Bal Harbour, FL (US)
(72) Inventor: **Daniel Cohen**, Bal Harbour, FL (US)
(**) Term: **15 Years**
(21) Appl. No.: **29/694,655**
(22) Filed: **Jun. 12, 2019**
(51) **LOC (12) Cl.** **14-01**
(52) **U.S. Cl.**
USPC **D14/207**
(58) **Field of Classification Search**
USPC D14/496-511, 168-172, 176, 188-196,
D14/203.1-203.8, 204, 207, 209.1-216,
D14/217, 299; 181/198-199; D21/542;
D9/678
CPC B60K 35/00; B60K 37/00; B60K 37/02;
B60K 37/06; B60K 11/02; G11B 17/02;
G11B 17/04; H04R 1/02; H04R 1/345;
H04R 2400/00; H04N 5/64; H04S 7/00
See application file for complete search history.

FIG. 1 is an elevational left-side view of a ship-shaped speaker supported by a base in accordance with an exemplary embodiment of the present invention;
FIG. 2 is an elevational front view of the ship-shaped speaker supported by a base of FIG. 1, in accordance with the present invention;
FIG. 3 is an elevational rear view of the ship-shaped speaker supported by a base of FIG. 1, in accordance with the present invention;
FIG. 4 is an elevational right-side view of the ship-shaped speaker supported by a base of FIG. 1, in accordance with the present invention;
FIG. 5 is a top plan view of the ship-shaped speaker supported by a base of FIG. 1, in accordance with the present invention;
FIG. 6 is a bottom plan view of the ship-shaped speaker supported by a base of FIG. 1, in accordance with the present invention;
FIG. 7 is a perspective top right-side front view of the ship-shaped speaker supported by a base of FIG. 1, in accordance with the present invention;
FIG. 8 is an elevational left-side view of the ship-shaped speaker, showing a second embodiment of the present invention;
FIG. 9 is an elevational front view of the ship-shaped speaker of FIG. 1, in accordance with the present invention;
FIG. 10 is an elevational rear view of the ship-shaped speaker of FIG. 1, in accordance with the present invention;
FIG. 11 is an elevational right-side view of the ship-shaped speaker of FIG. 1, in accordance with the present invention;
FIG. 12 is a top plan view of the ship-shaped speaker of FIG. 1, in accordance with the present invention;
FIG. 13 is a bottom plan view of the ship-shaped speaker of FIG. 1, in accordance with the present invention; and,
FIG. 14 is a perspective top right-side front view of the ship-shaped speaker of FIG. 1, in accordance with the present invention.

(56) **References Cited**

U.S. PATENT DOCUMENTS

D71,915 S * 1/1927 Jones D14/207
D74,247 S * 1/1928 Allen D14/189
D115,413 S * 6/1939 Lerman D14/189
D178,263 S * 7/1956 Picciano D9/678

(Continued)

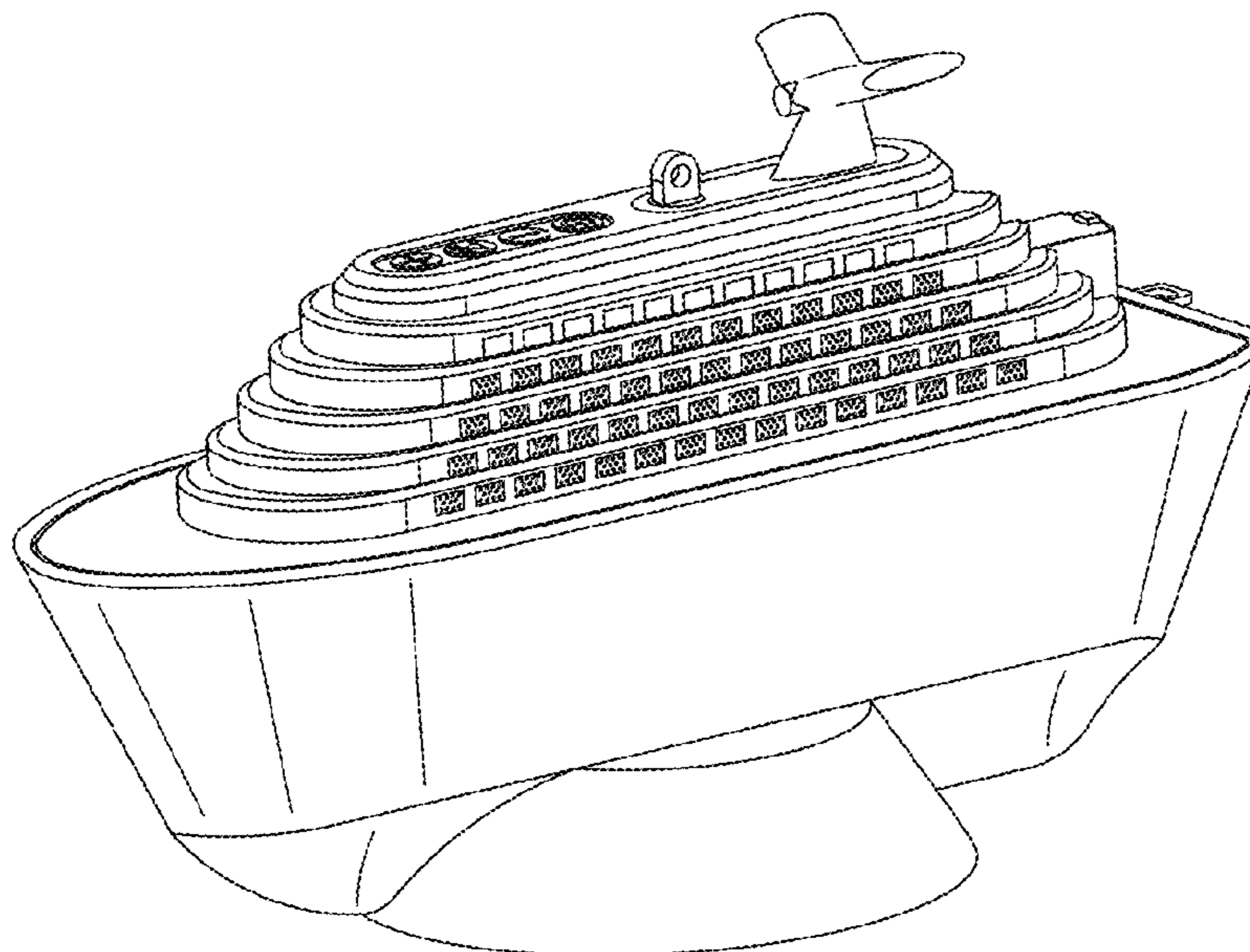
Primary Examiner — Sandra L Morris

(74) *Attorney, Agent, or Firm* — The Concept Law Group, PA; Scott D. Smiley; Scott M. Garrett

(57) **CLAIM**

The ornamental design for a ship-shaped speaker, as shown and described.

1 Claim, 12 Drawing Sheets



(56)

References Cited

U.S. PATENT DOCUMENTS

D277,881 S	*	3/1985	Effler	D21/542
D428,874 S	*	8/2000	White	D14/207
D465,533 S	*	11/2002	Li	D21/542
D570,277 S	*	6/2008	Jackson	D12/300
D591,723 S	*	5/2009	Adey	D14/207

* cited by examiner

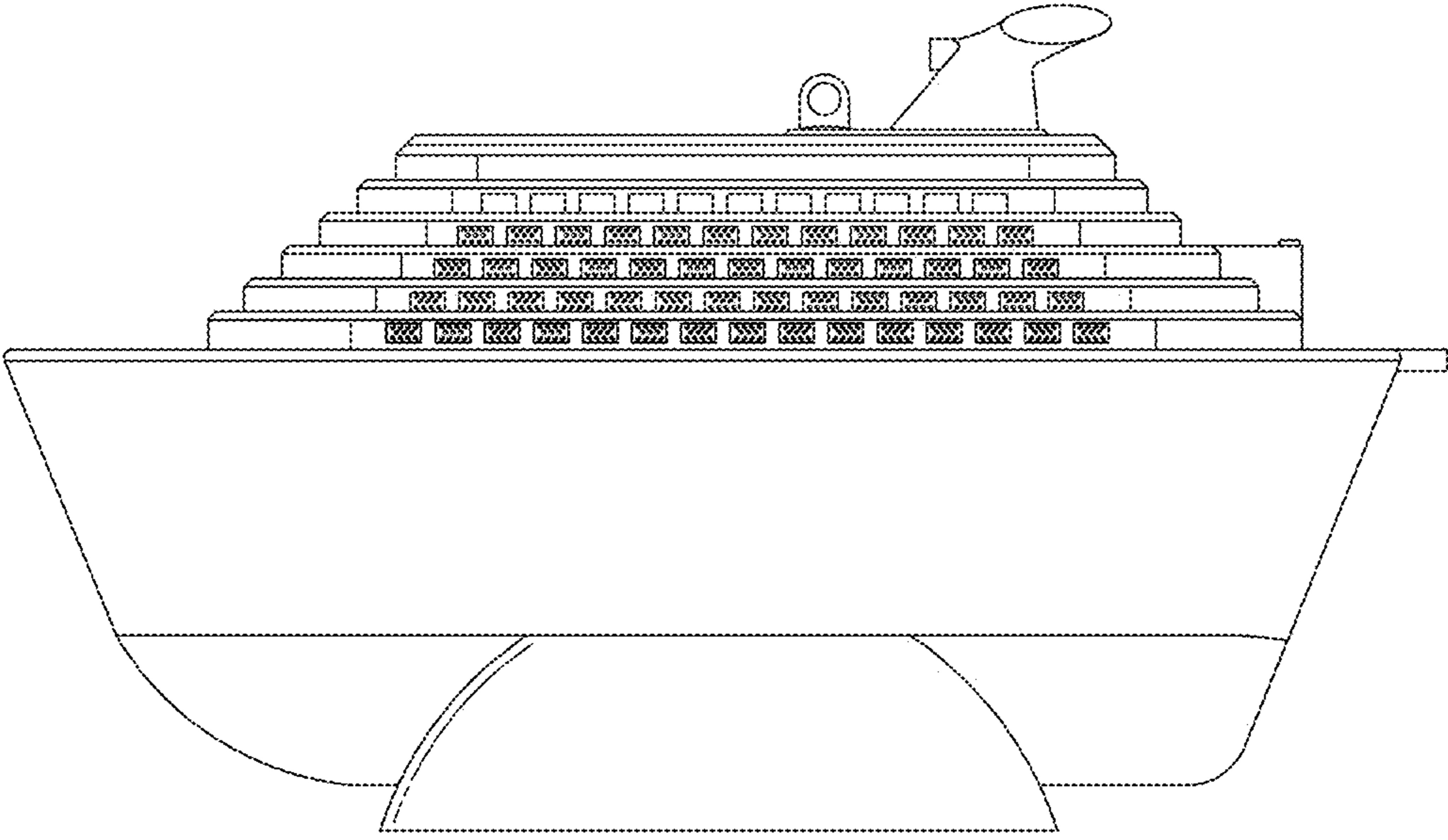


FIG.1

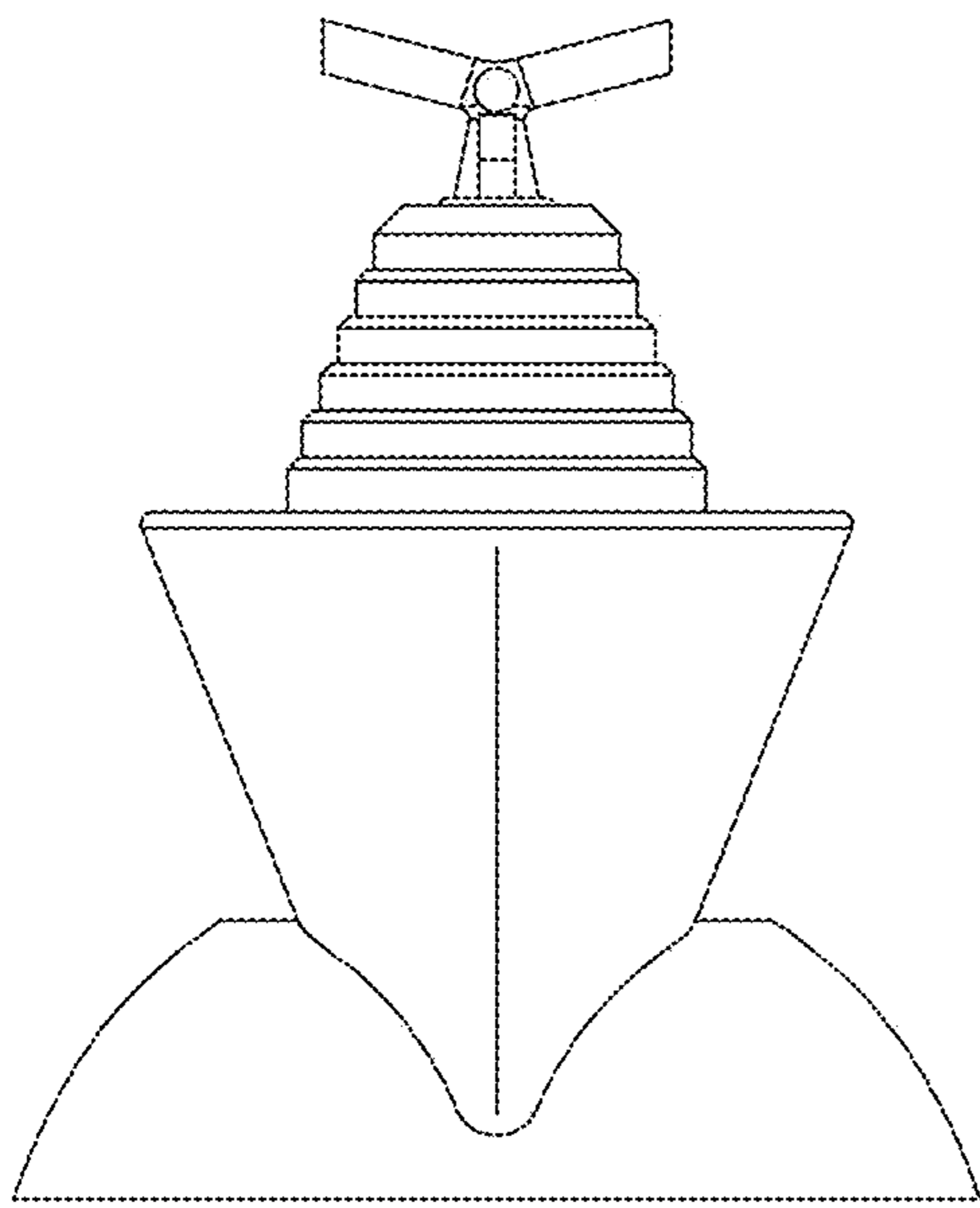


FIG. 2

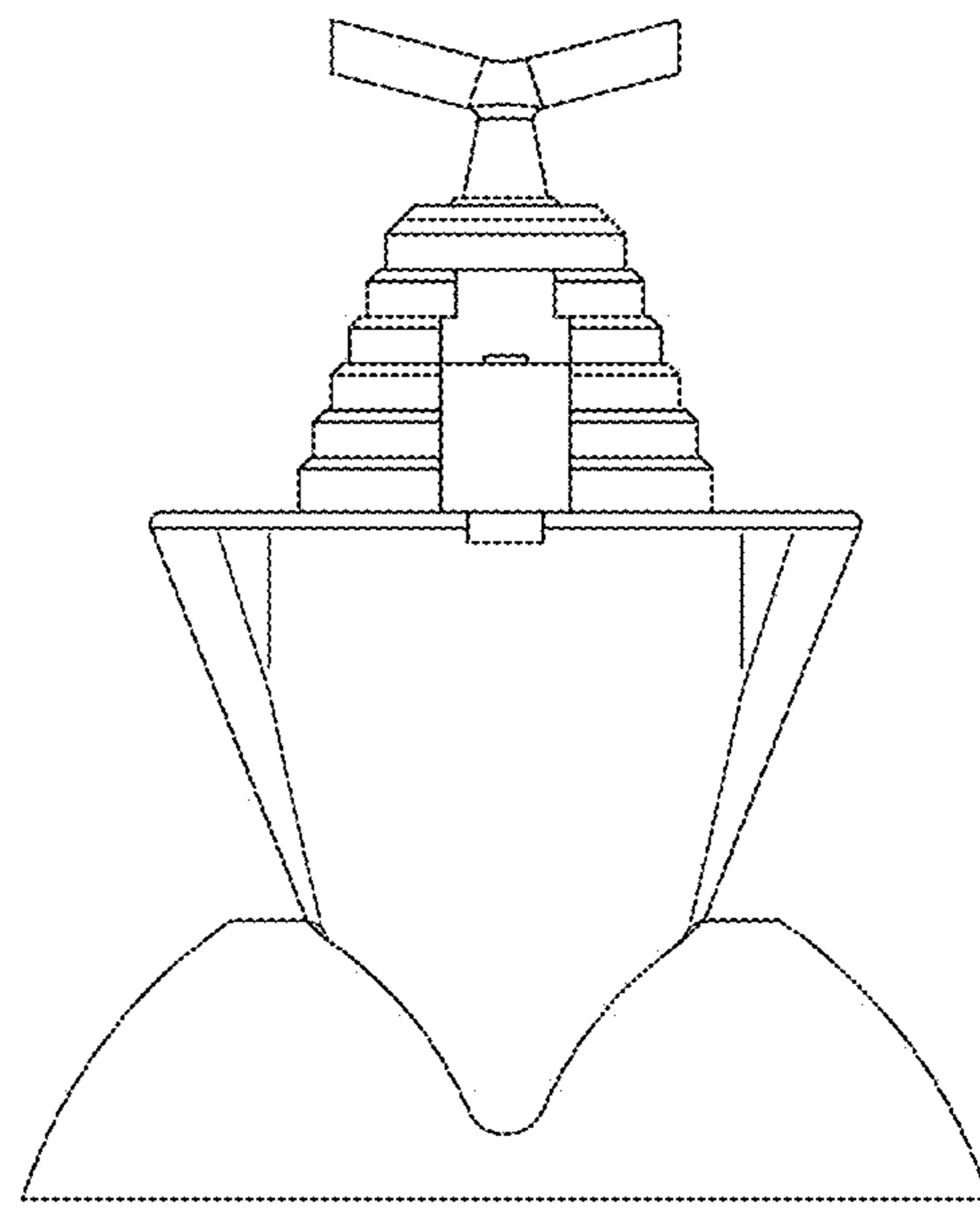


FIG. 3

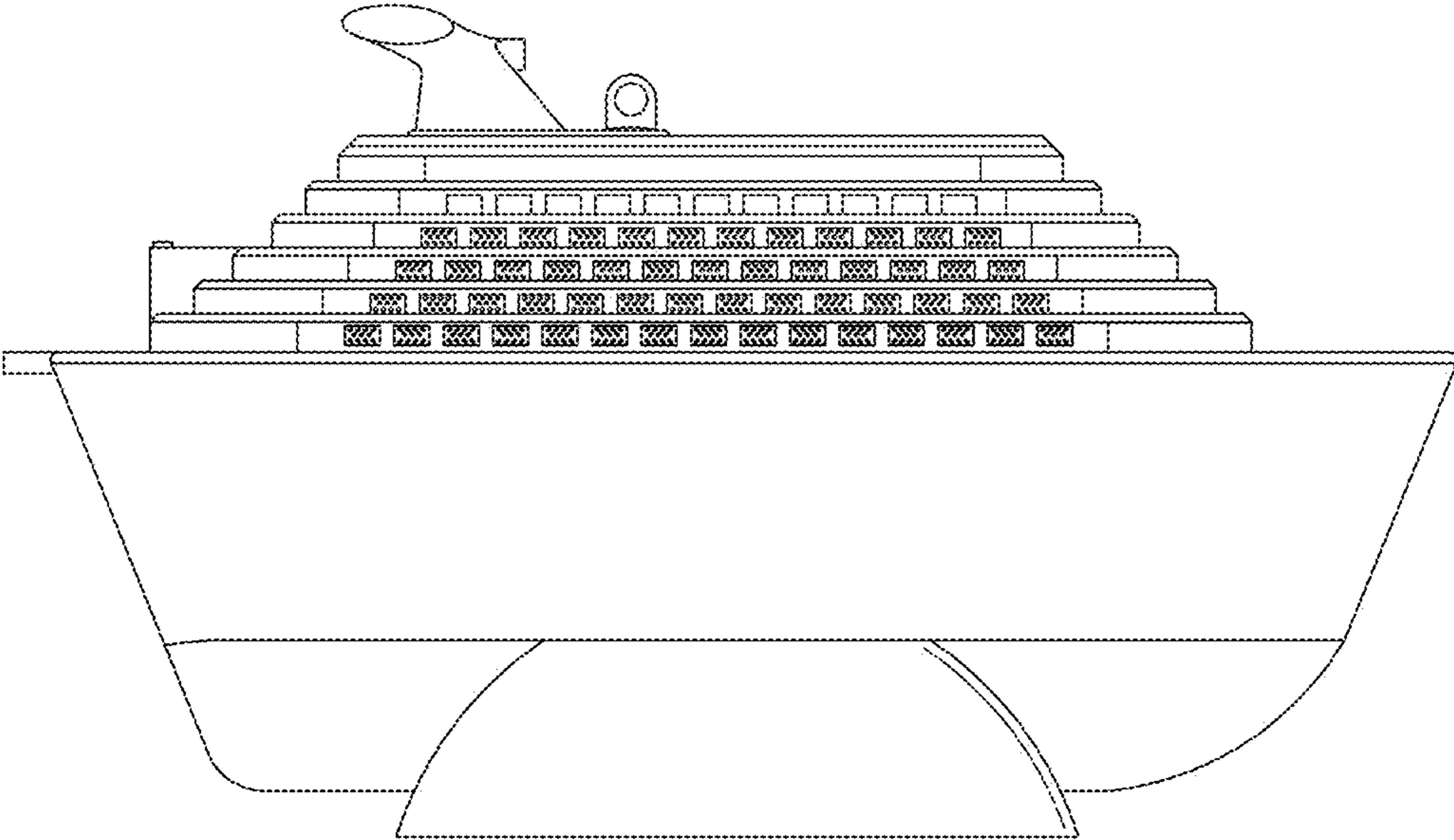


FIG.4

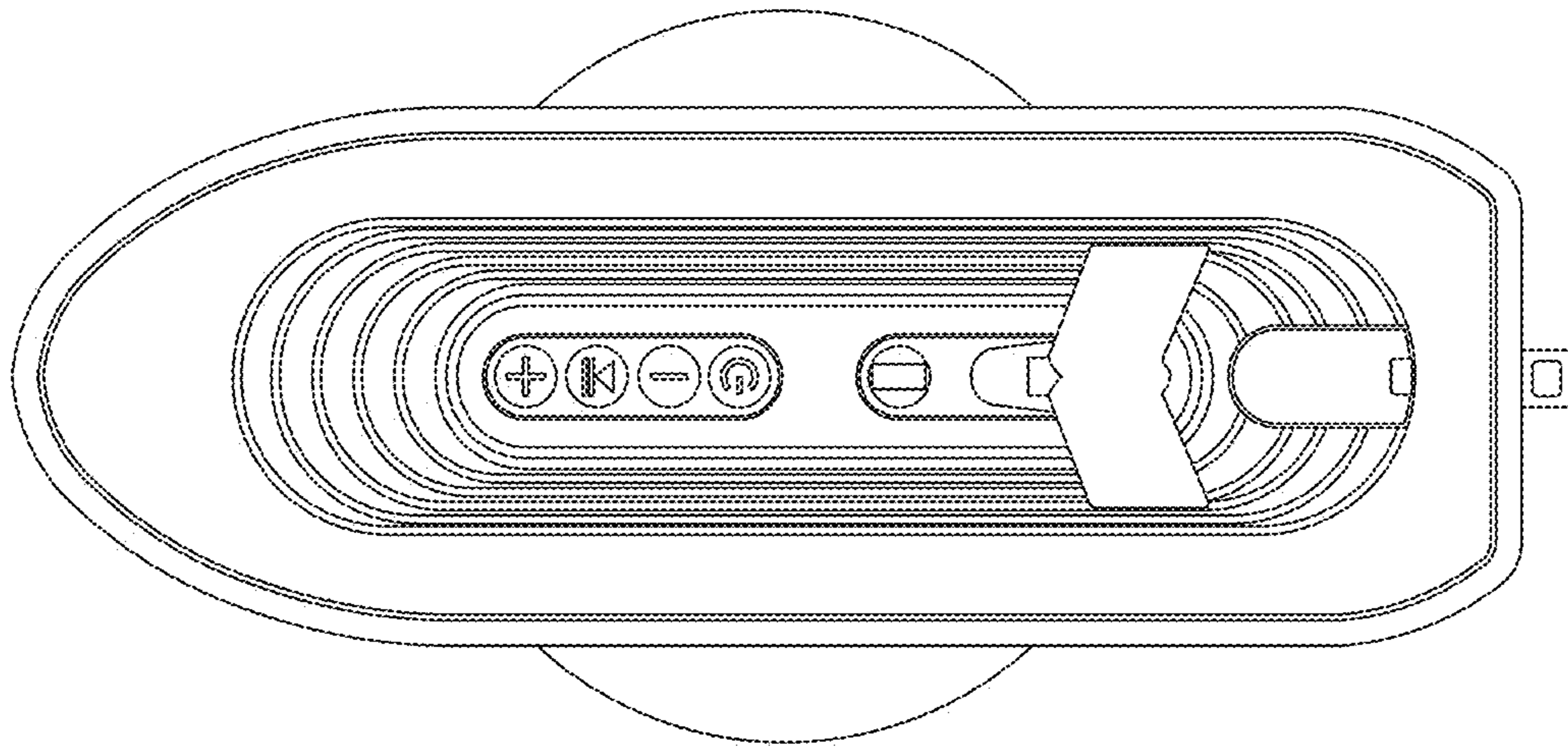


FIG. 5

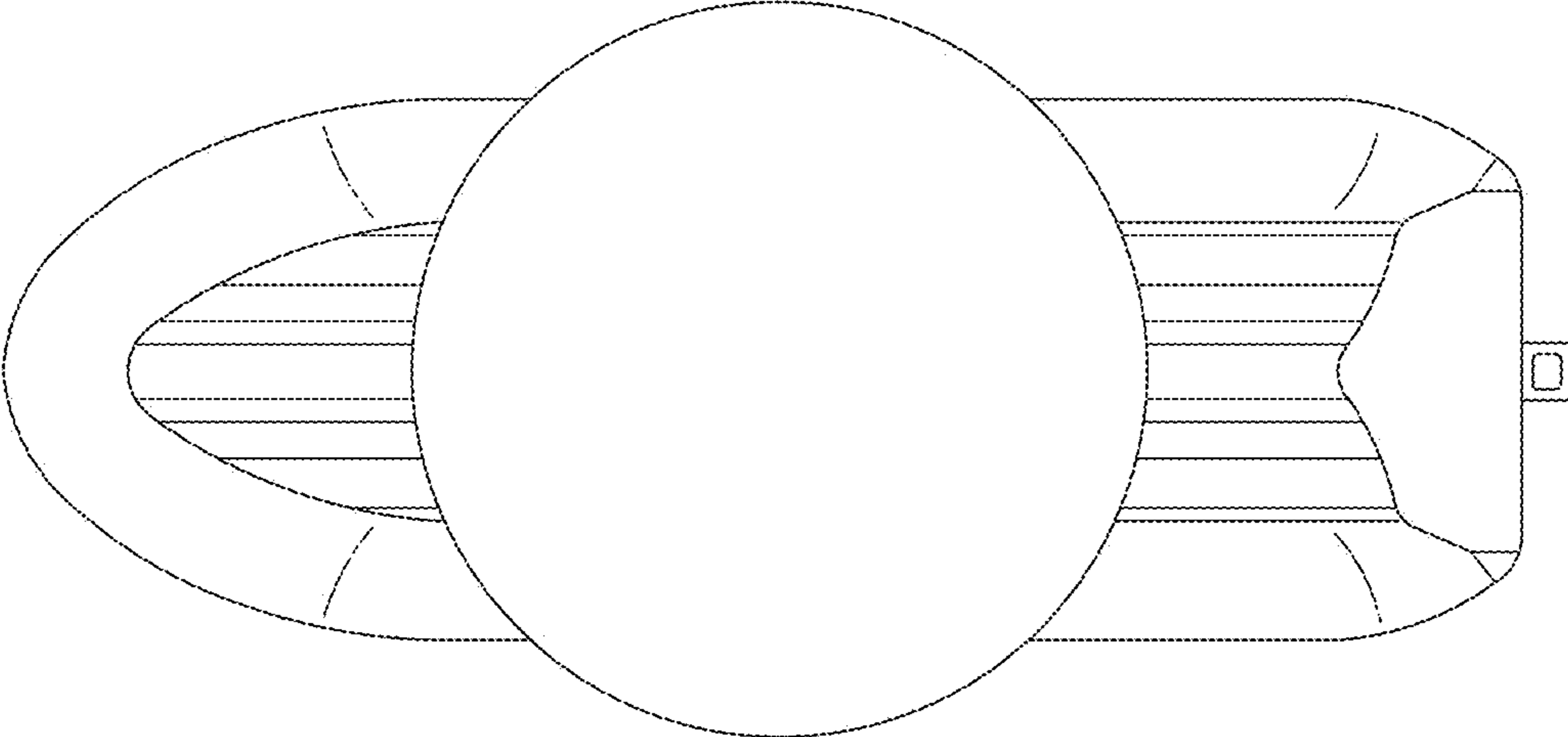


FIG.6

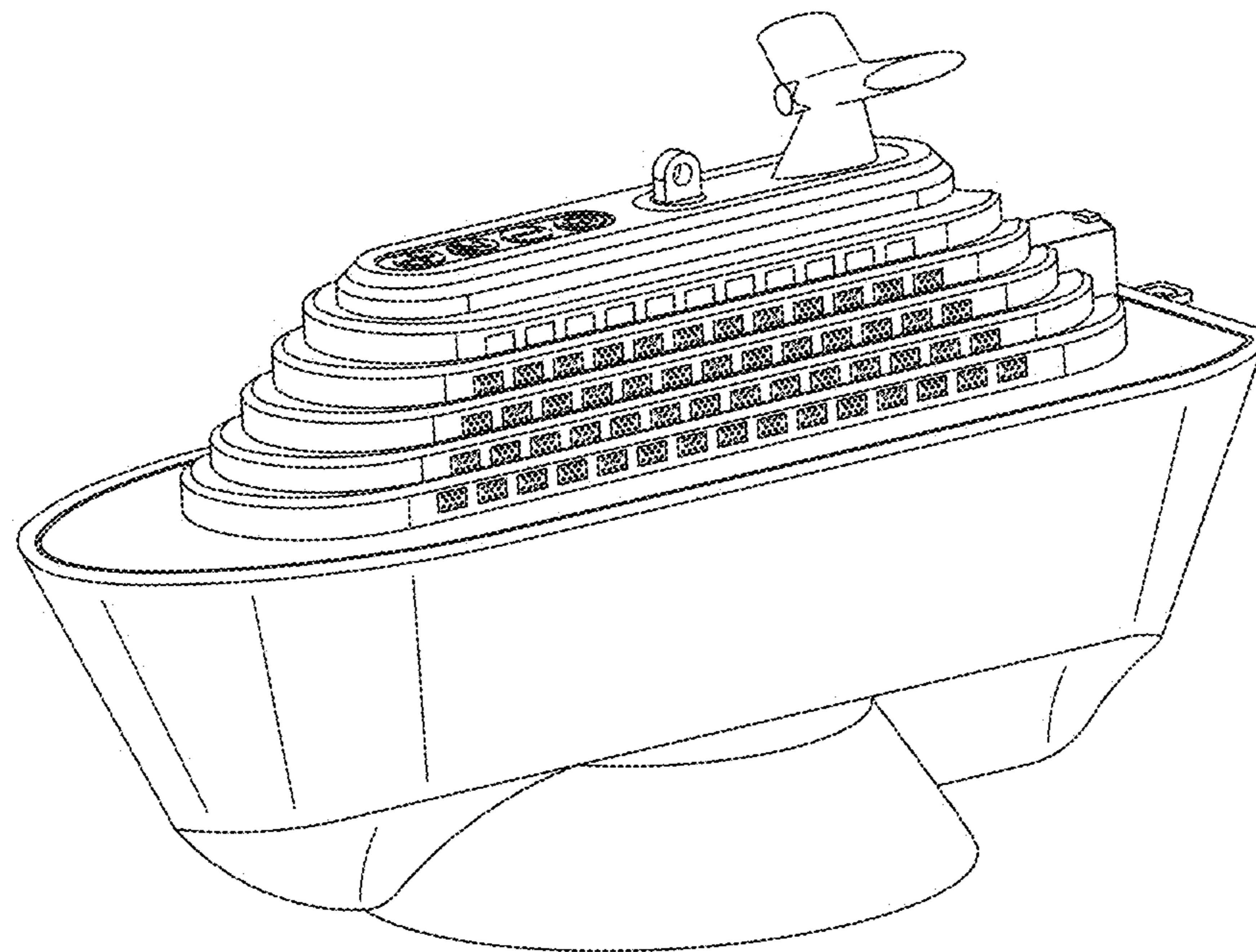


FIG.7

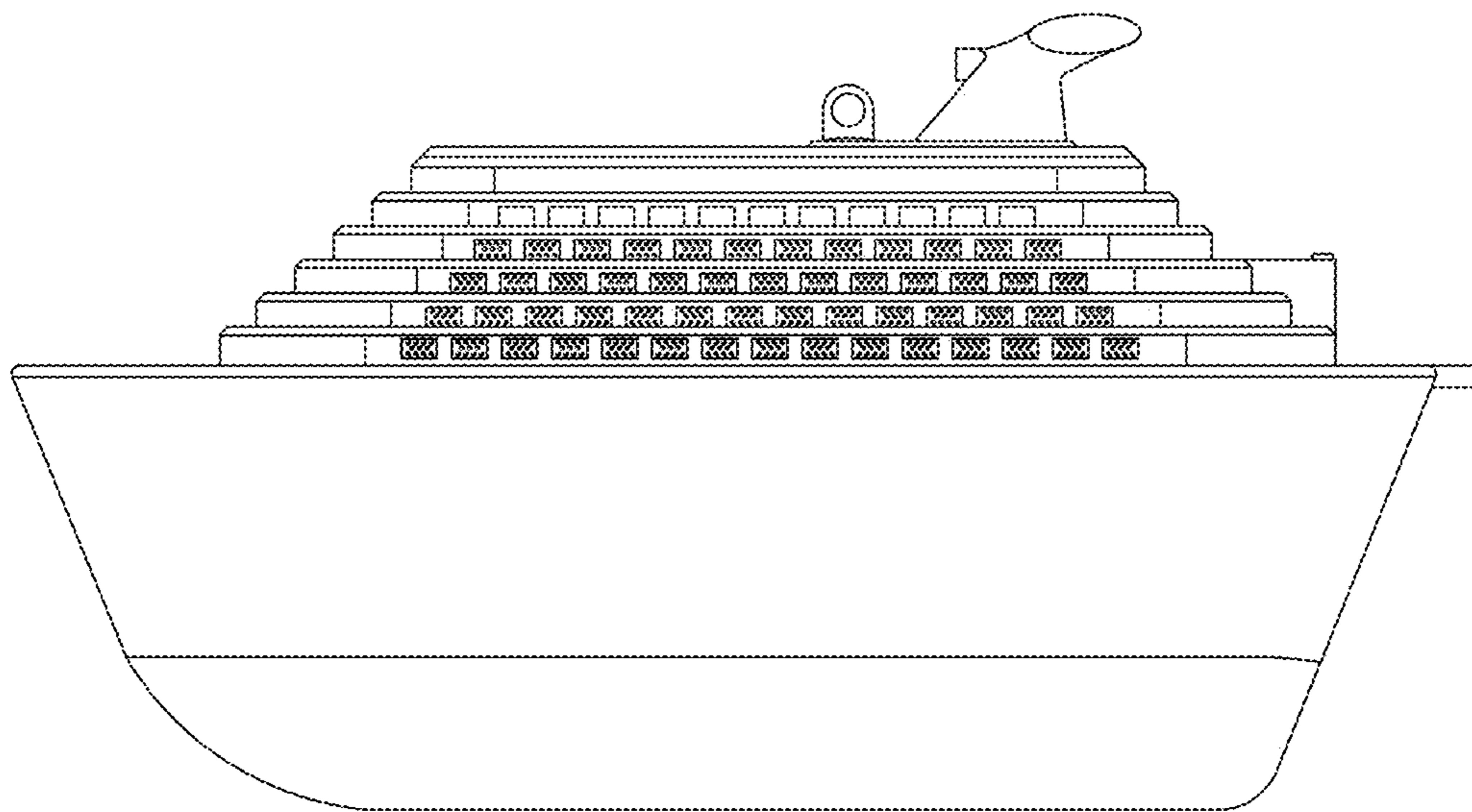


FIG.8

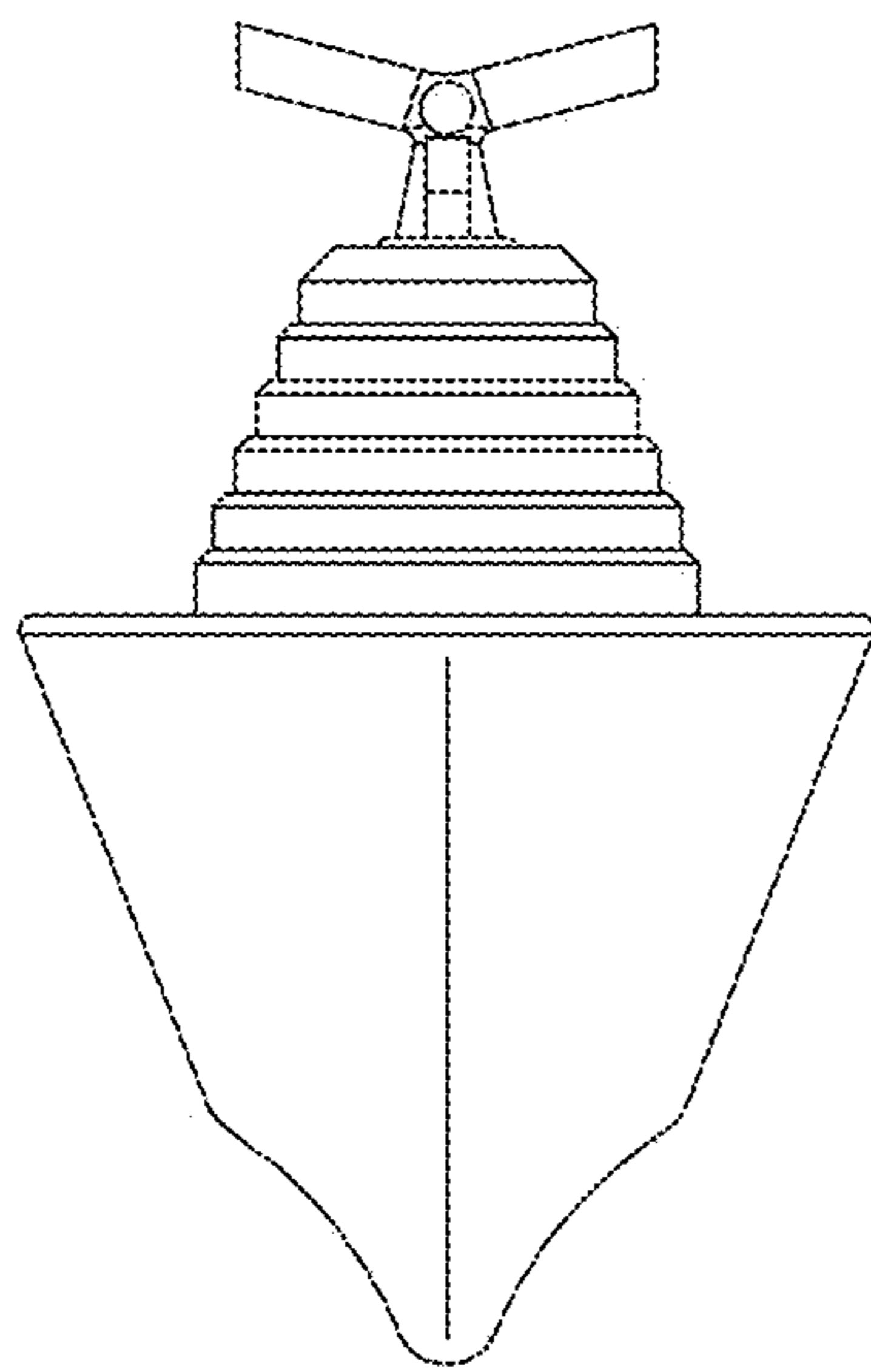


FIG. 9

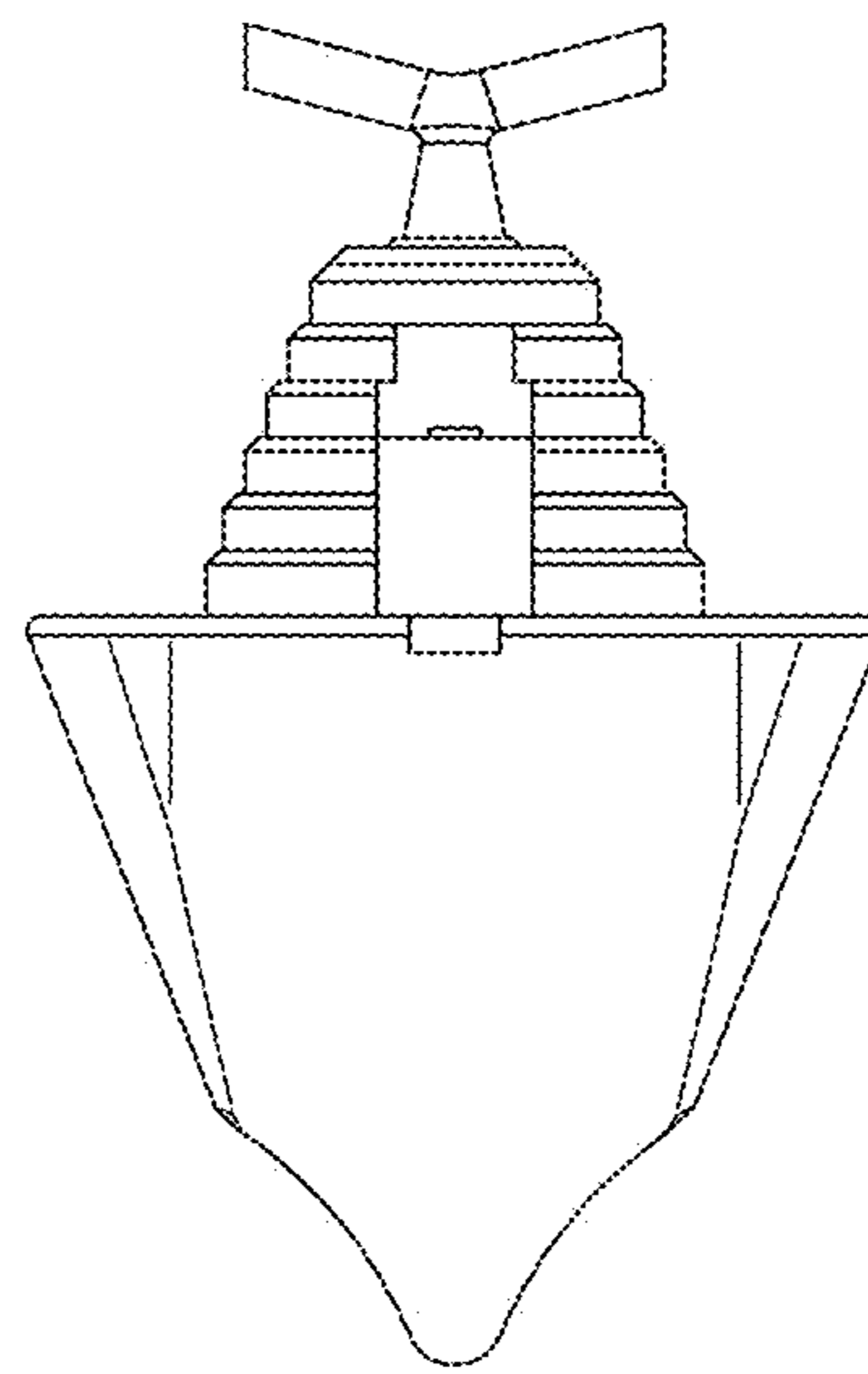


FIG. 10

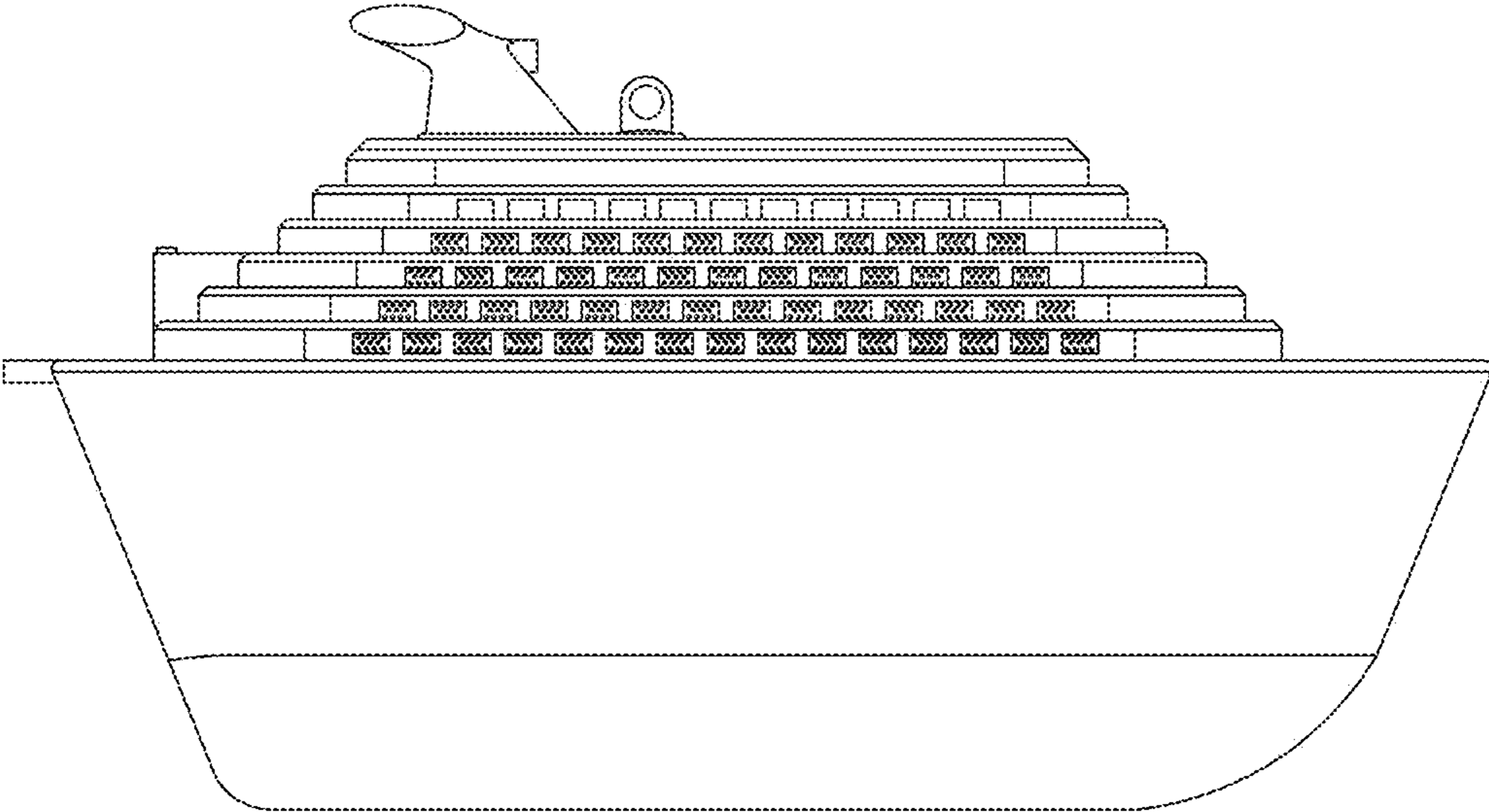


FIG.11

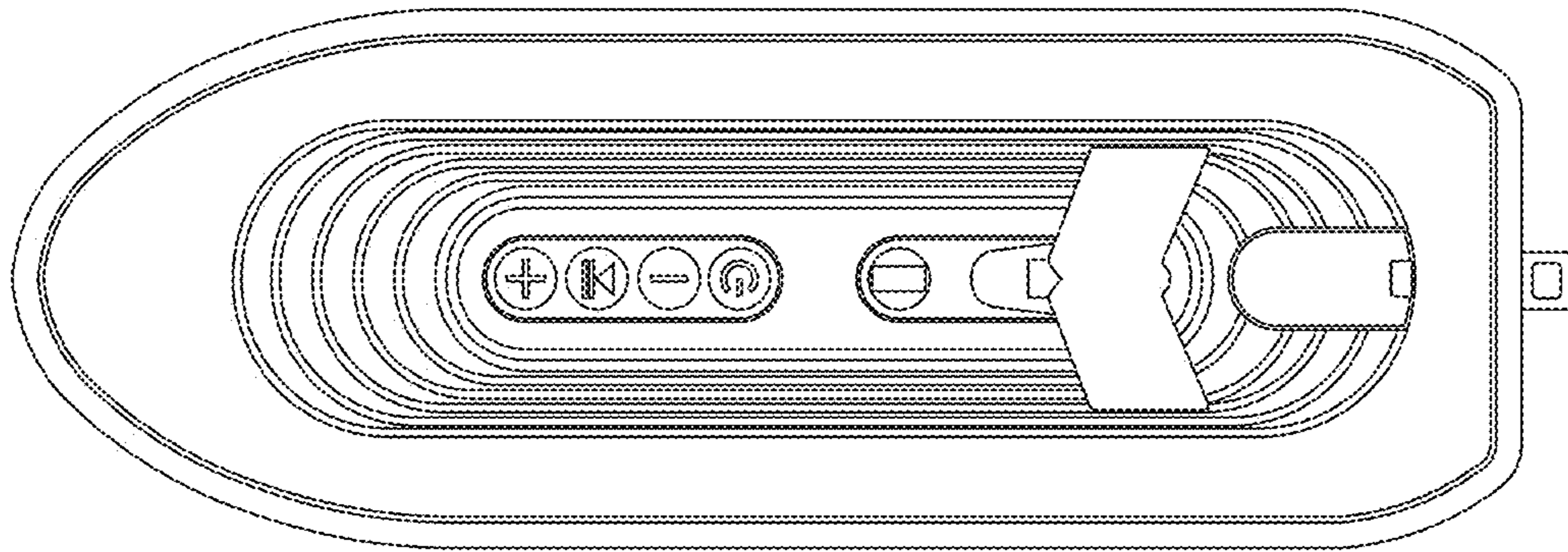


FIG.12

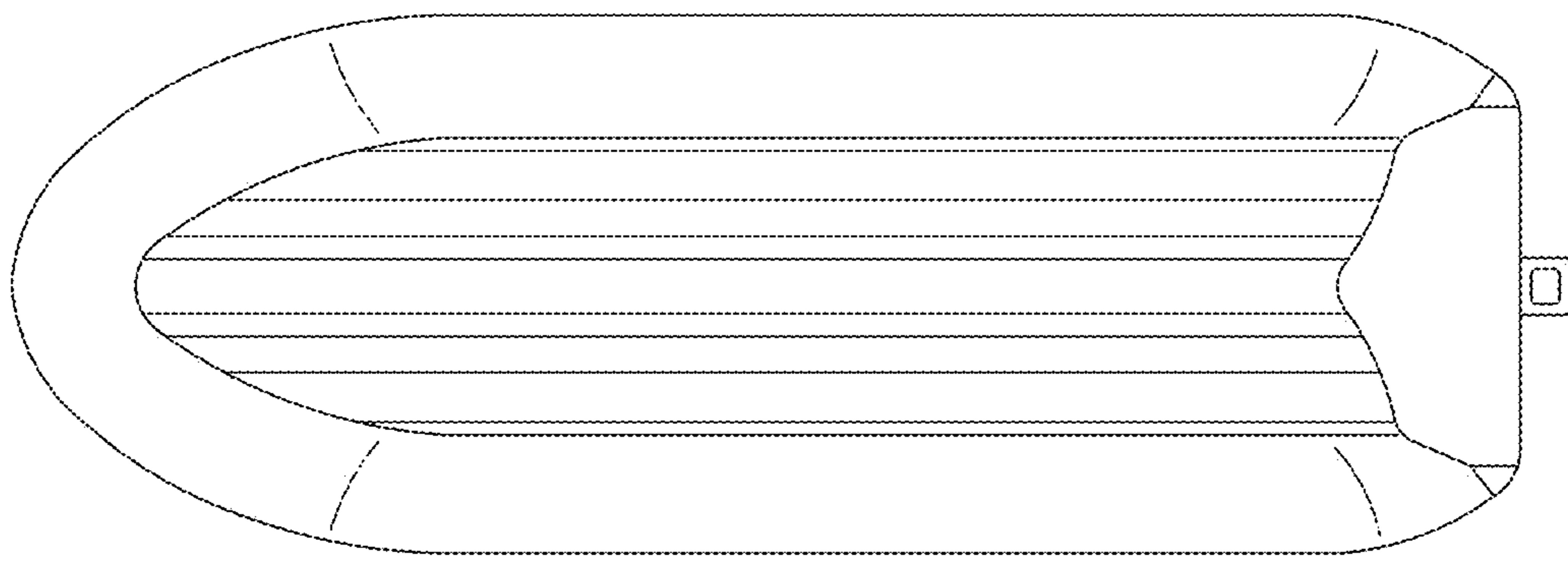


FIG. 13

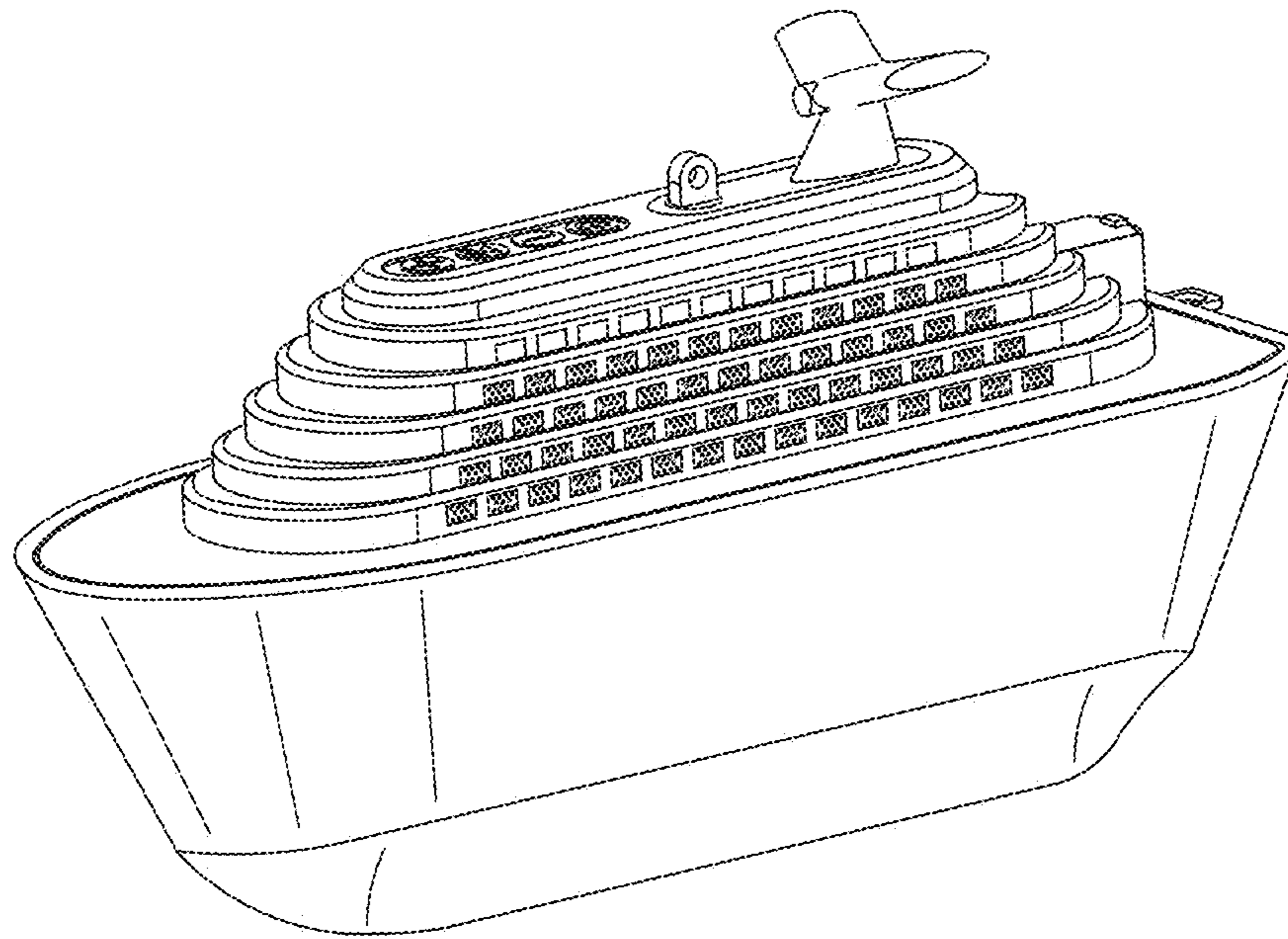


FIG.14