



US00D905005S

(12) **United States Design Patent**  
**Liu**

(10) **Patent No.:** **US D905,005 S**

(45) **Date of Patent:** **\*\* Dec. 15, 2020**

(54) **HEADPHONE**

(71) Applicant: **Baihua Liu**, Shenzhen (CN)

(72) Inventor: **Baihua Liu**, Shenzhen (CN)

(73) Assignee: **Shenzhen Wonderhuge Electronics Co., Ltd.**, Shenzhen (CN)

(\*\*) Term: **15 Years**

(21) Appl. No.: **29/697,144**

(22) Filed: **Jul. 4, 2019**

(51) **LOC (12) Cl.** ..... **14-01**

(52) **U.S. Cl.**  
USPC ..... **D14/205**

(58) **Field of Classification Search**  
USPC ..... D14/205, 188, 192; D29/112; 2/209;  
381/380, 381, 374; 455/90.3, 575.1,  
455/569.1  
CPC ..... H04R 25/00; H04R 25/02; H04R 1/1066;  
H04R 1/1016; H04R 5/033; H04R  
5/0335; H04R 1/1091  
See application file for complete search history.

(56) **References Cited**

**U.S. PATENT DOCUMENTS**

- D255,352 S \* 6/1980 Besasie ..... D14/205
- 7,072,483 B2 \* 7/2006 Lenhard-Backhaus .....  
H04R 1/1066  
381/370
- D549,688 S \* 8/2007 Suzuki ..... D14/205
- D557,684 S \* 12/2007 Pundsack ..... D14/205
- D585,871 S \* 2/2009 Lee ..... D14/205
- D592,182 S \* 5/2009 Sanguinetti ..... D14/205
- D600,674 S \* 9/2009 Brennwald ..... D14/205
- D637,176 S \* 5/2011 Brunner ..... D14/205
- D642,554 S \* 8/2011 Schaal ..... D14/205
- D652,406 S \* 1/2012 Lee ..... D14/205
- 8,098,872 B2 \* 1/2012 Chang ..... H04R 1/1075  
381/371
- D657,776 S \* 4/2012 Lee ..... D14/205

- D662,080 S \* 6/2012 Carr ..... D14/205
- D665,775 S \* 8/2012 Katsumata ..... D14/205
- D689,843 S \* 9/2013 Lee ..... D14/205
- D693,791 S \* 11/2013 Troy ..... D14/205
- D698,334 S \* 1/2014 Fujioka ..... D14/205
- D705,750 S \* 5/2014 Wu ..... H04R 1/1066  
D14/205
- D706,241 S \* 6/2014 Szymanski ..... H04R 1/1066  
D14/205
- 8,767,996 B1 \* 7/2014 Lin ..... G06F 3/165  
381/380
- D732,504 S \* 6/2015 Funayama ..... D14/205
- D733,092 S \* 6/2015 Gan ..... D14/205
- D734,297 S \* 7/2015 Sasaki ..... D14/205
- D741,290 S \* 10/2015 Schaal ..... D14/205
- D747,557 S \* 1/2016 Bonney ..... D29/112
- D758,337 S \* 6/2016 Szymanski ..... D14/205
- D765,056 S \* 8/2016 Yang ..... D14/205
- D775,104 S \* 12/2016 Lee ..... D14/205

(Continued)

*Primary Examiner* — Paula Allen Greene

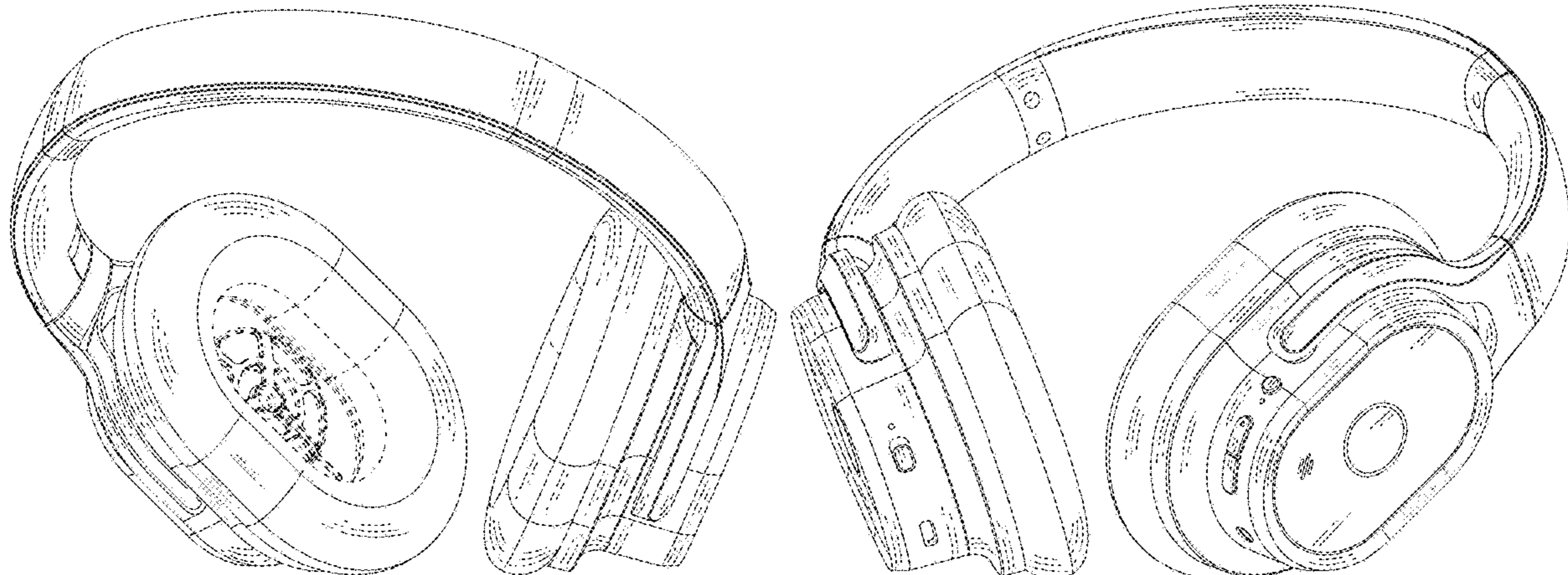
(57) **CLAIM**

The ornamental design for a headphone, as shown and described.

**DESCRIPTION**

FIG. 1 is a top perspective view of a headphone showing my new design;  
 FIG. 2 is a rear, bottom and left side perspective view thereof;  
 FIG. 3 is a front elevation view thereof;  
 FIG. 4 is a rear elevation view thereof;  
 FIG. 5 is a left side elevation view thereof;  
 FIG. 6 is a right side elevation view thereof;  
 FIG. 7 is a top plan view thereof; and,  
 FIG. 8 is a bottom plan view thereof.  
 The broken lines depict portion of the headphone and form no part of the claimed design.

**1 Claim, 8 Drawing Sheets**



(56)

References Cited

U.S. PATENT DOCUMENTS

D787,470 S \* 5/2017 Kelly ..... D14/205  
 D787,479 S \* 5/2017 Tong ..... D14/223  
 D800,691 S \* 10/2017 Ando ..... D14/205  
 D806,676 S \* 1/2018 Fuglsang ..... D14/206  
 D811,365 S \* 2/2018 Czaniecki ..... D14/205  
 D817,303 S \* 5/2018 Tragatschnig ..... D14/205  
 D828,326 S \* 9/2018 Ye ..... D14/205  
 10,178,463 B2 \* 1/2019 Smiechowski ..... H04R 1/105  
 D840,370 S \* 2/2019 Kelly ..... D14/205  
 D842,270 S \* 3/2019 Chen ..... D14/205  
 D848,396 S \* 5/2019 Wilson ..... D14/205  
 D849,713 S \* 5/2019 Hanggi ..... D14/205  
 D859,354 S \* 9/2019 Xia ..... D14/205  
 D860,161 S \* 9/2019 Xia ..... D14/205  
 D864,899 S \* 10/2019 He ..... D14/205  
 D868,728 S \* 12/2019 Zaihui ..... D14/205  
 D868,731 S \* 12/2019 Jung ..... D14/205  
 D868,733 S \* 12/2019 Luo ..... D14/205  
 D869,437 S \* 12/2019 Hu ..... D14/205  
 D879,065 S \* 3/2020 Chan ..... D14/205  
 D879,066 S \* 3/2020 Chen ..... D14/205  
 D881,840 S \* 4/2020 Chen ..... D14/205  
 D883,949 S \* 5/2020 Hu ..... D14/205  
 D887,391 S \* 6/2020 Chong ..... D14/205  
 2010/0310093 A1 \* 12/2010 Semcken ..... H04R 1/1058  
 381/104  
 2014/0219466 A1 \* 8/2014 Saideh ..... H04R 1/1041  
 381/74  
 2017/0230746 A1 \* 8/2017 Silvestri ..... G10K 11/162

\* cited by examiner



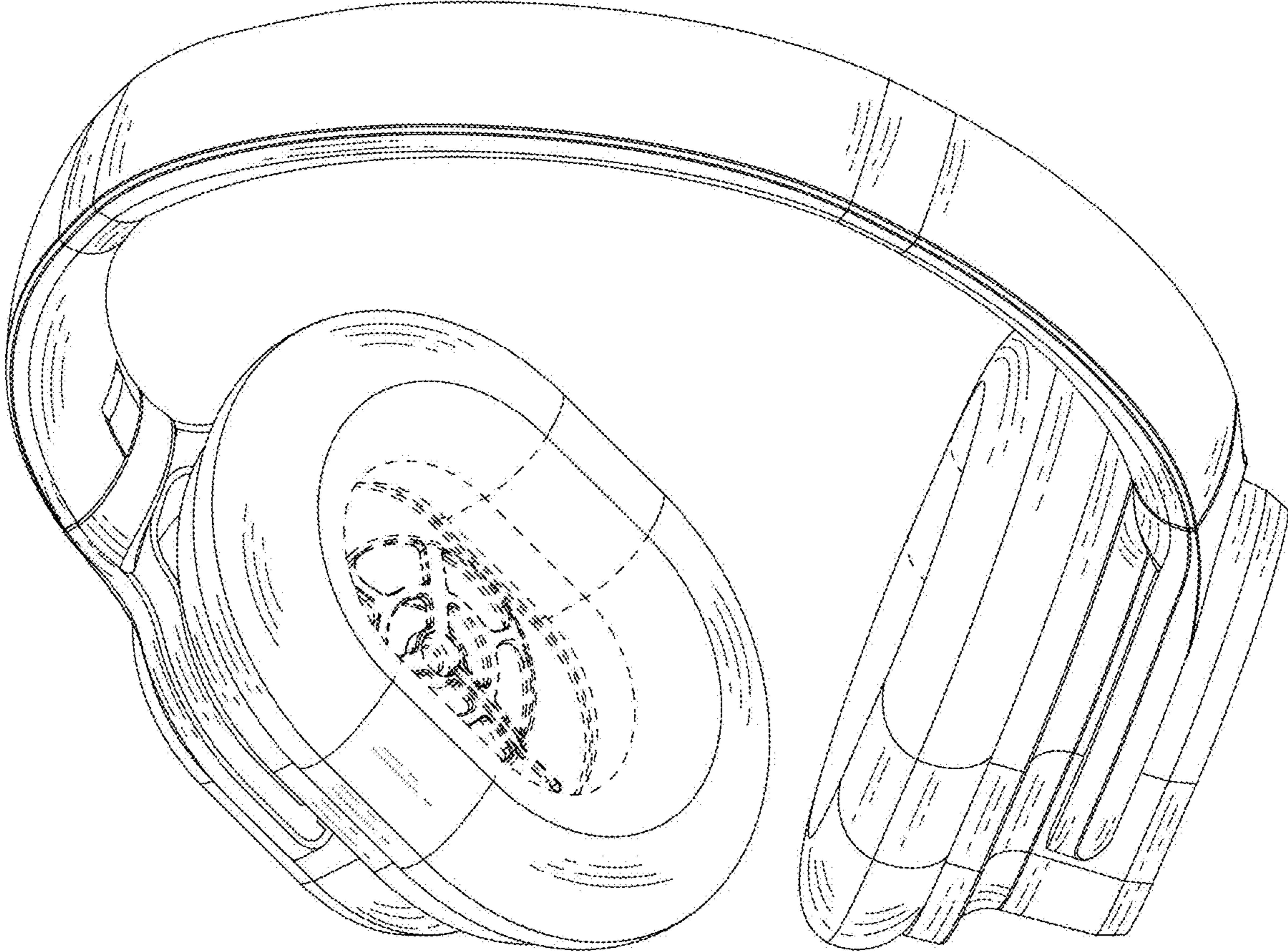


FIG.1

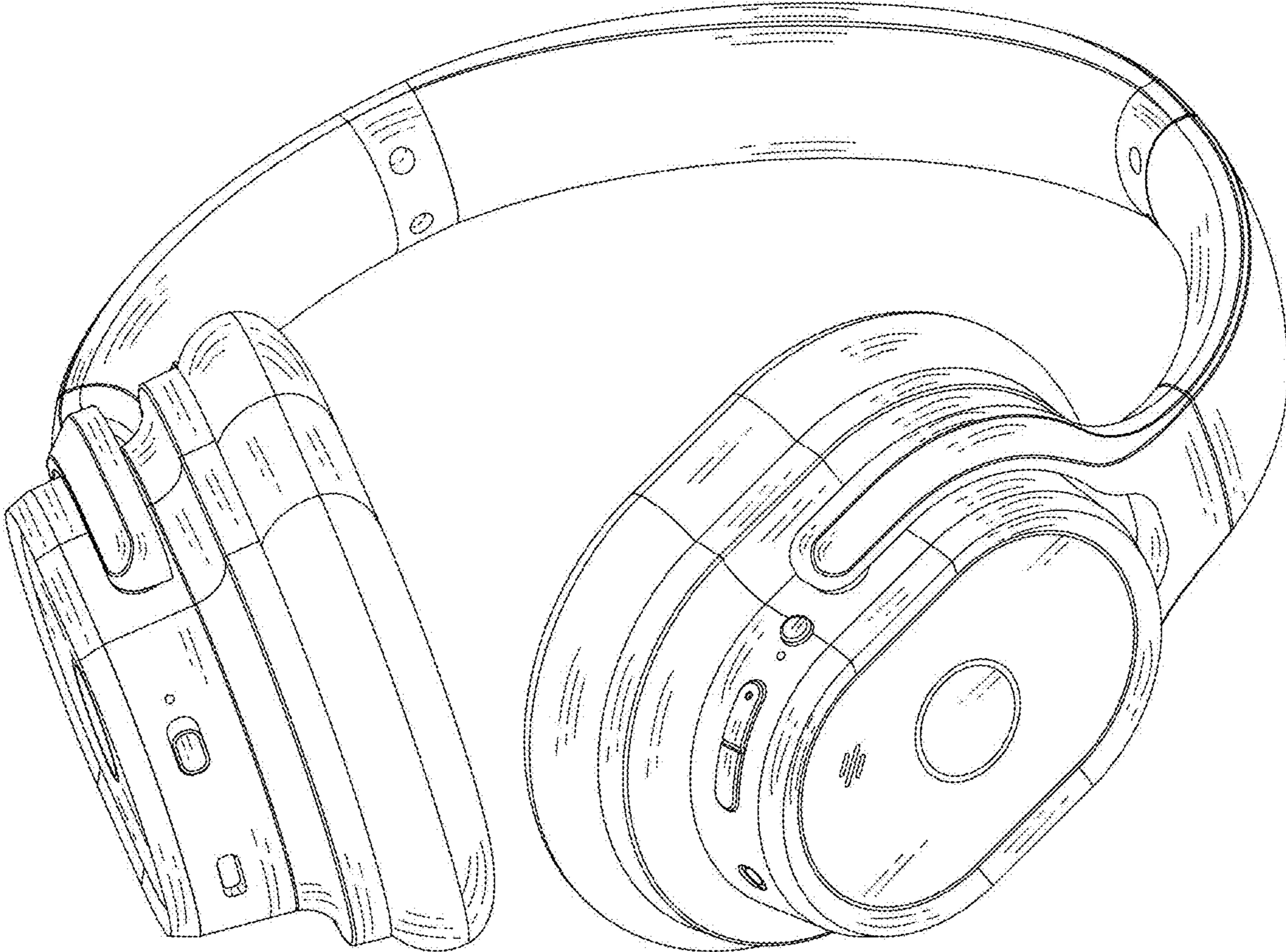


FIG.2



FIG.3





FIG.4

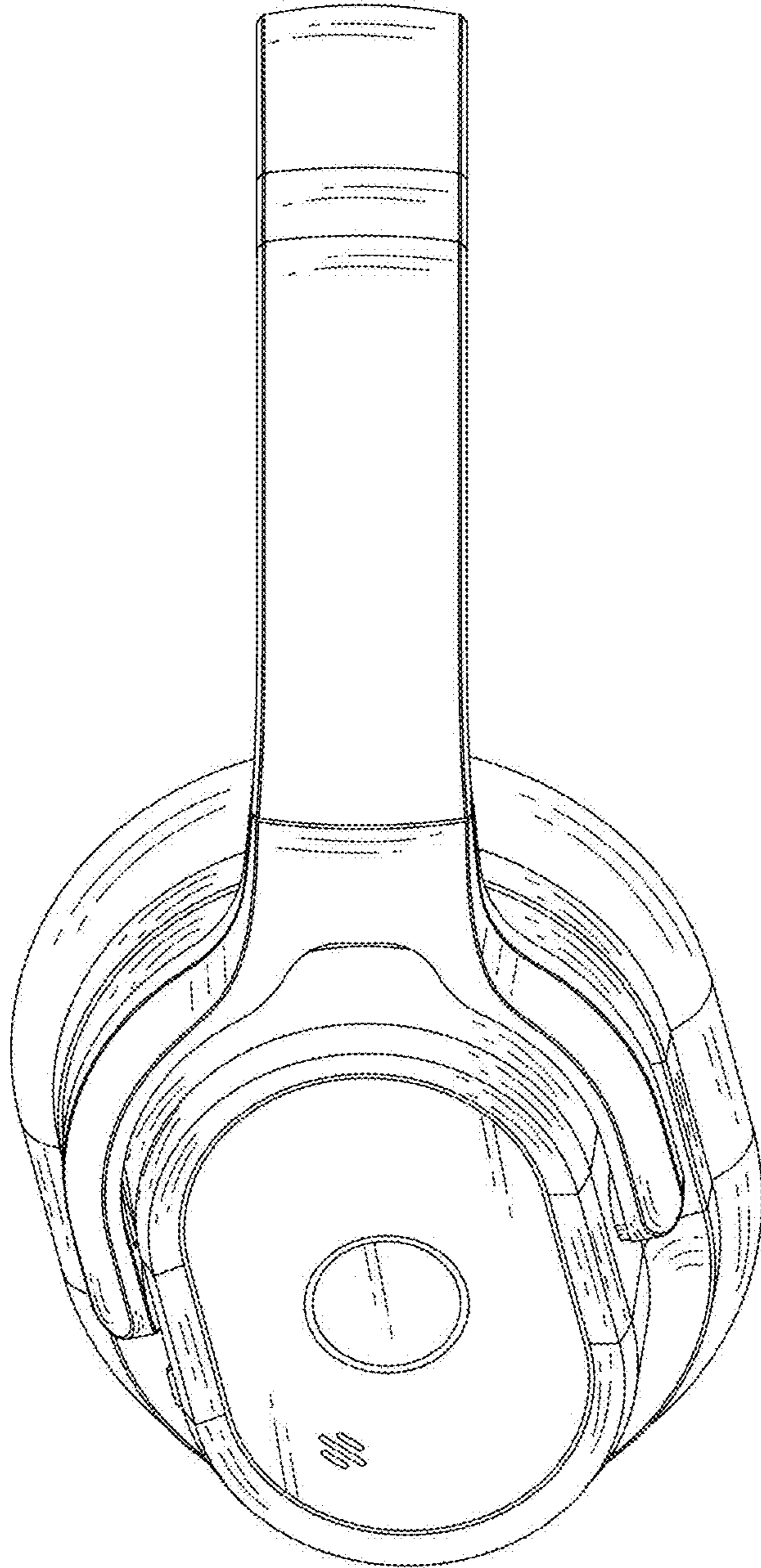


FIG. 5

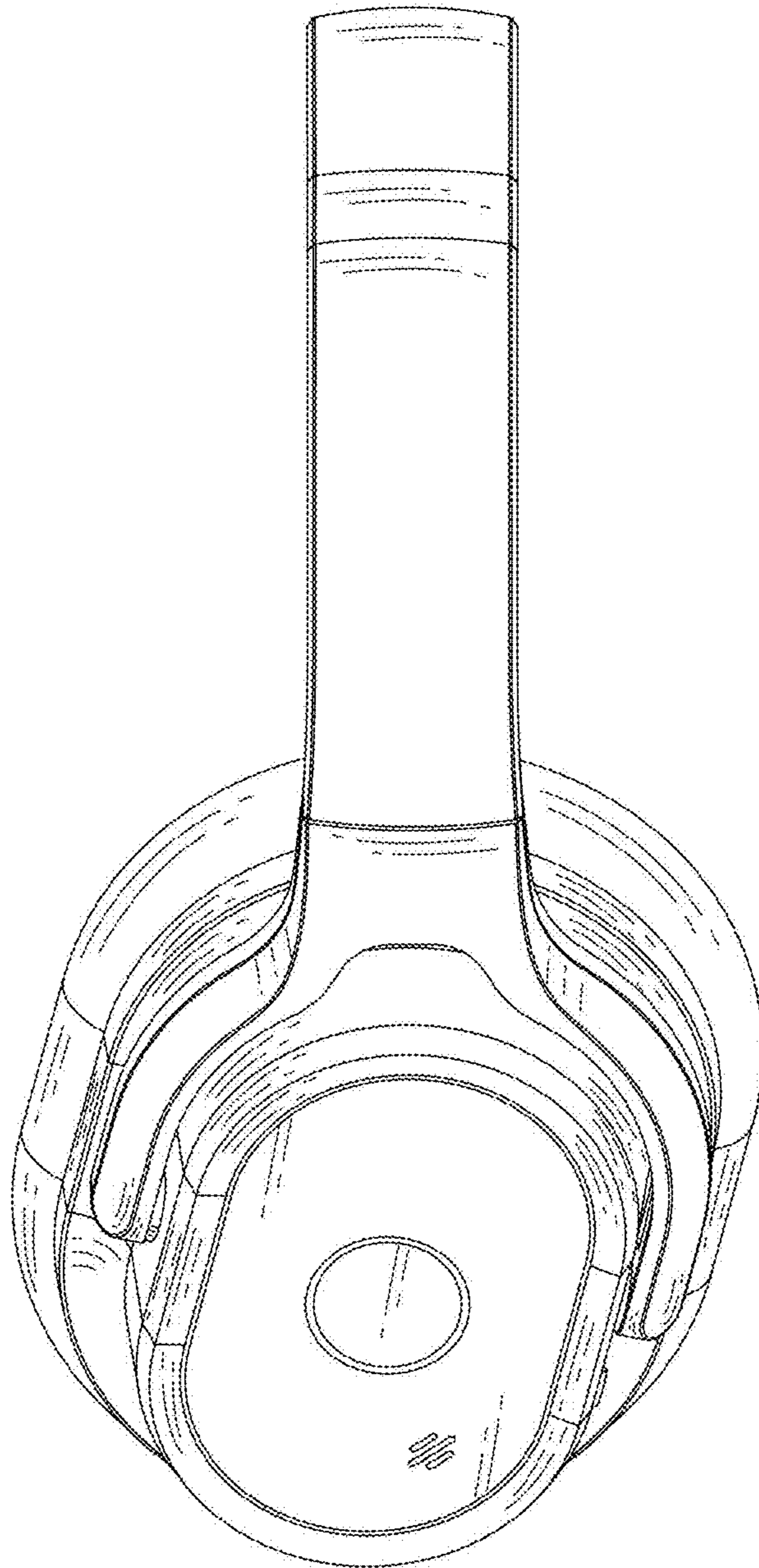


FIG. 6



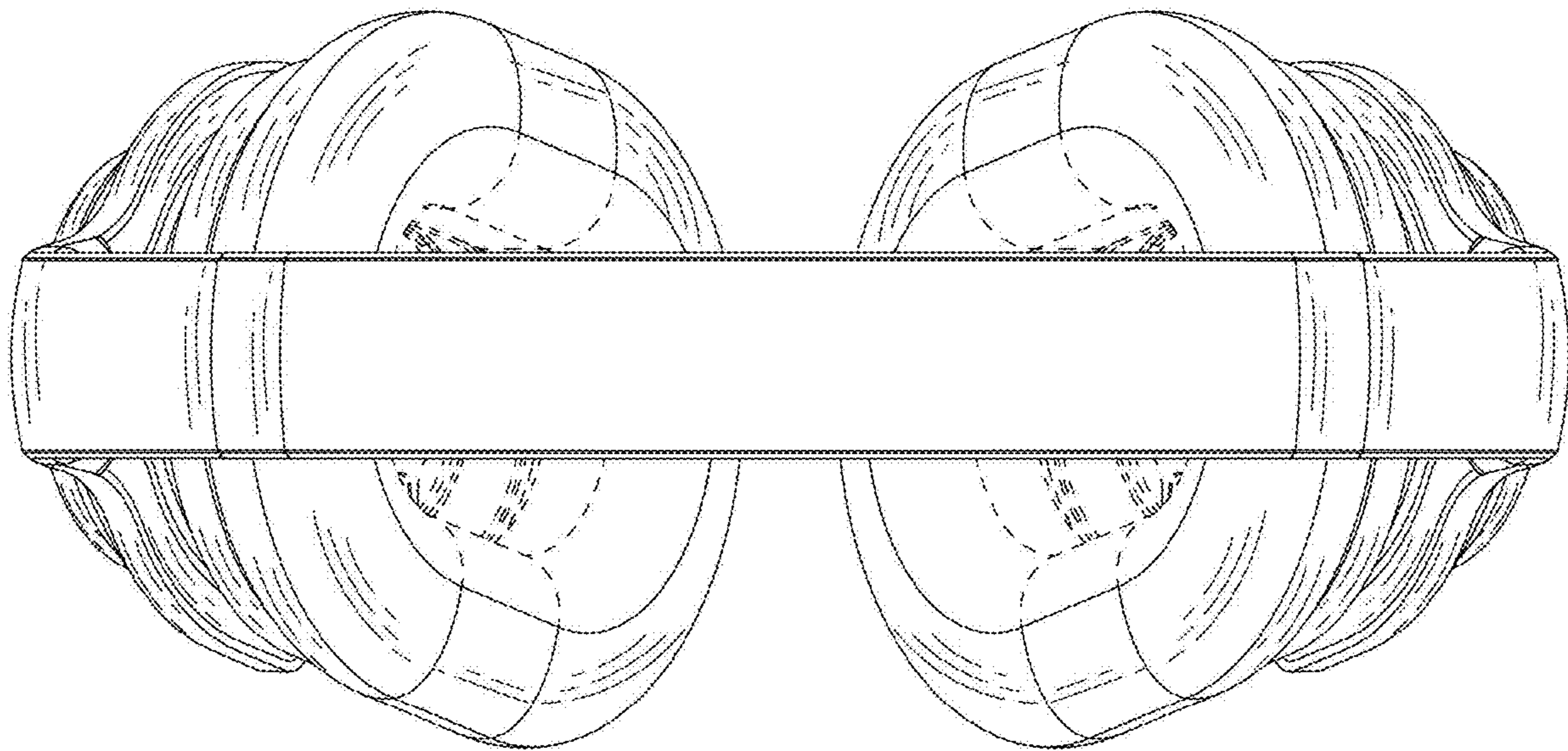


FIG. 7

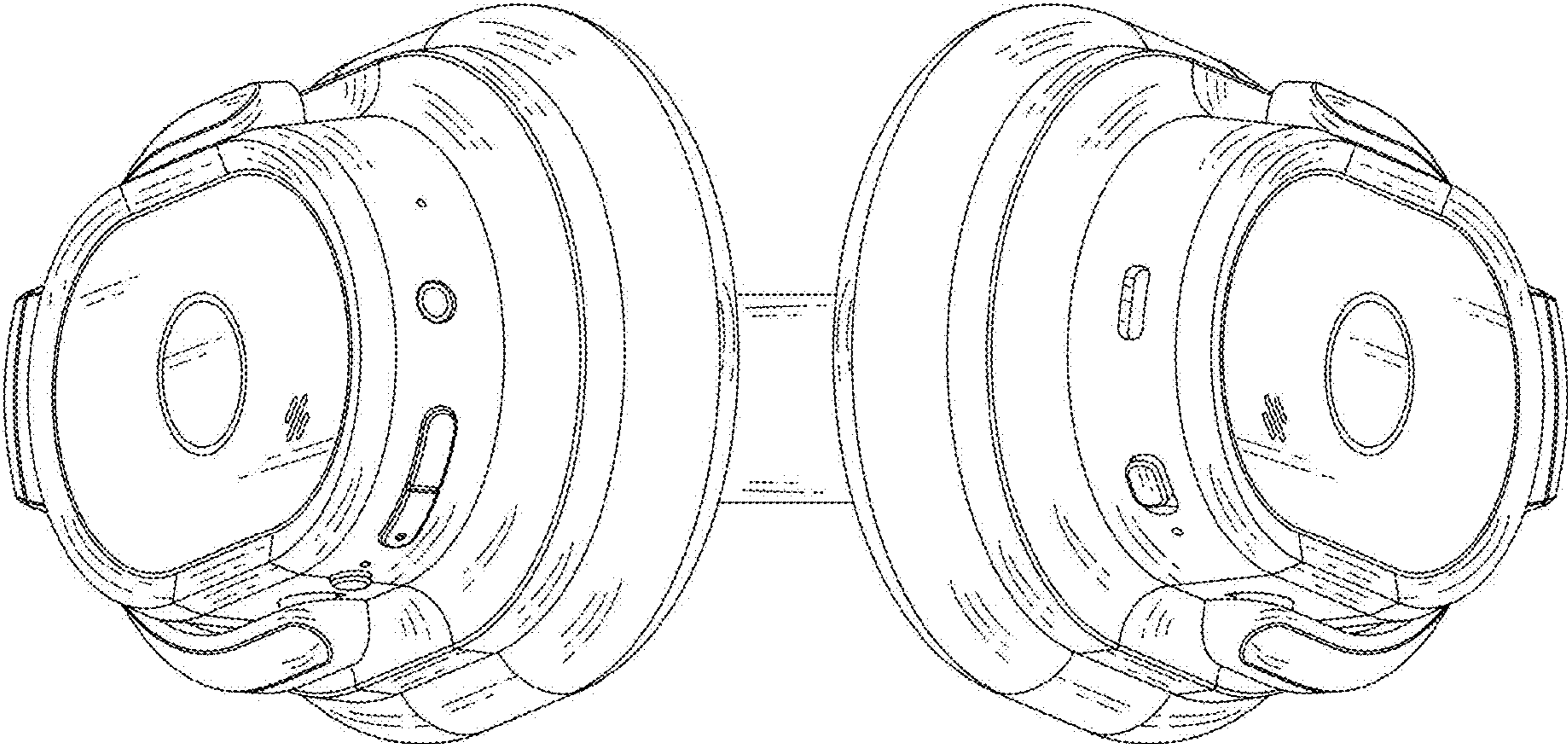


FIG. 8