



US00D905003S

(12) **United States Design Patent**
Ohmachi

(10) **Patent No.:** **US D905,003 S**

(45) **Date of Patent:** **** Dec. 15, 2020**

(54) **HEADPHONE**

(71) Applicant: **YAMAHA CORPORATION,**
Hamamatsu (JP)

(72) Inventor: **Takenori Ohmachi,** Buena Park, CA
(US)

(73) Assignee: **YAMAHA CORPORATION,**
Hamamatsu (JP)

(**) Term: **15 Years**

(21) Appl. No.: **29/693,022**

(22) Filed: **May 30, 2019**

(51) **LOC (12) Cl.** **14-01**

(52) **U.S. Cl.**
USPC **D14/205**

(58) **Field of Classification Search**
USPC D14/205, 206, 188, 192; D29/112;
2/209; 381/380, 381, 371, 374, 309;
455/90.3, 575.1, 569.1
CPC H04R 25/00; H04R 25/02; H04R 1/1066;
H04R 1/1016; H04R 5/033; H04R
5/0335; H04R 1/1091
See application file for complete search history.

(56) **References Cited**

U.S. PATENT DOCUMENTS

3,356,796	A *	12/1967	Wray	H04R 9/06 381/433
D262,019	S *	11/1981	Upshaw	D14/205
4,672,675	A *	6/1987	Powell	H04R 9/063 381/182
D302,429	S *	7/1989	Leer	D14/137
5,018,599	A *	5/1991	Dohi	H04R 1/1008 181/129
D320,020	S *	9/1991	Iwano	D14/216
D347,845	S *	6/1994	Sumikawa	D14/205
5,345,512	A *	9/1994	Lee	H04R 1/1066 181/136

D353,818	S *	12/1994	Nakamura	D14/205
D398,309	S *	9/1998	Bergin	D14/206
D410,466	S *	6/1999	Mouri	D14/205
6,724,906	B2 *	4/2004	Naksen	H04R 1/1066 381/370
6,772,853	B2 *	8/2004	Yang	H04R 1/1066 181/129
D502,939	S *	3/2005	Dayan	D14/216
D504,883	S *	5/2005	Jacobson	D14/192
D508,483	S *	8/2005	Suzuki	D14/205
D510,335	S *	10/2005	Suzuki	D14/205
D517,527	S *	3/2006	Suzuki	D14/205
D524,299	S *	7/2006	Ishikawa	D14/221
D549,688	S *	8/2007	Suzuki	D14/205
D597,070	S *	7/2009	Zheng	D14/205
D604,266	S *	11/2009	Milde	D14/205

(Continued)

FOREIGN PATENT DOCUMENTS

EM	006600136-0001	*	6/2019
WO	D205582-001	*	11/2018

Primary Examiner — Paula Allen Greene

(74) *Attorney, Agent, or Firm* — Sughrue Mion, PLLC

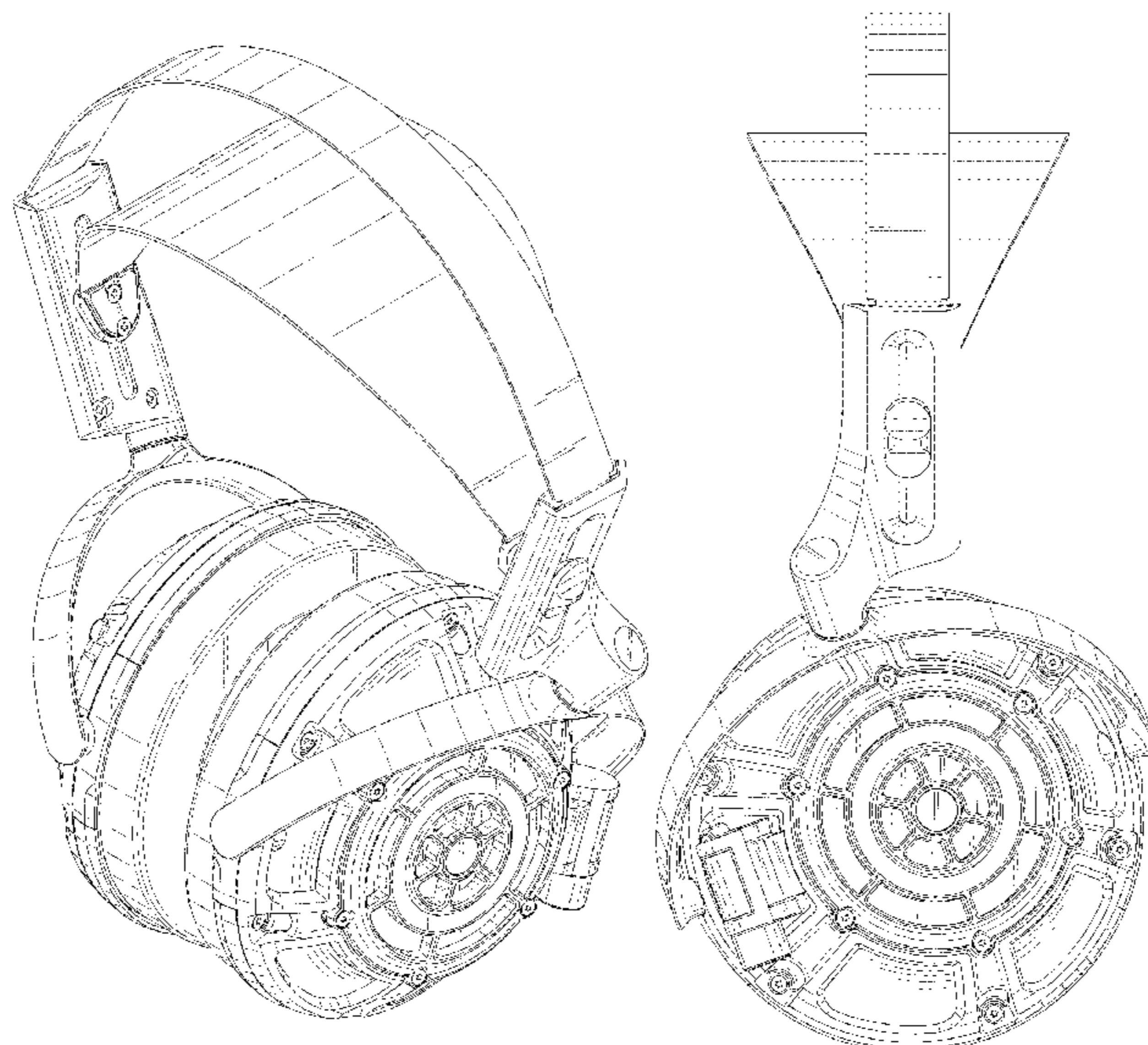
(57) **CLAIM**

The ornamental design for a headphone, as shown and described.

DESCRIPTION

FIG. 1 is a perspective view of the front, top and right side of a headphone showing my new design;
 FIG. 2 is a perspective view of the rear, bottom and left side thereof;
 FIG. 3 is a front view thereof;
 FIG. 4 is a rear view thereof;
 FIG. 5 is a left side view thereof;
 FIG. 6 is a right side view thereof;
 FIG. 7 is a top view thereof; and,
 FIG. 8 is a bottom view thereof.

1 Claim, 8 Drawing Sheets



(56)

References Cited

U.S. PATENT DOCUMENTS

D635,958 S * 4/2011 Ando D14/205
D673,521 S * 1/2013 Yoneyama D14/205
D690,284 S * 9/2013 Brennwald D14/205
D710,822 S * 8/2014 Gan H04R 1/1066
D711,347 S * 8/2014 Gan H04R 1/1066
D783,572 S * 4/2017 Matthews D14/205
D785,593 S * 5/2017 Nakagawa D14/205
D795,218 S * 8/2017 Ohmachi D14/205
D800,691 S * 10/2017 Ando D14/205
D813,197 S * 3/2018 Katsuno D14/206
D817,303 S * 5/2018 Tragatschnig D14/205
D821,353 S * 6/2018 Ohmachi D14/205
D821,354 S * 6/2018 Ohmachi D14/205
D827,607 S * 9/2018 Ando D14/205
D831,000 S * 10/2018 Chong D14/206
10,219,068 B2 * 2/2019 Cochran H04R 1/1091
D854,513 S * 7/2019 Miyake D14/205
D859,354 S * 9/2019 Xia D14/205
D860,161 S * 9/2019 Xia D14/205
D864,157 S * 10/2019 Hu D14/206
D885,363 S * 5/2020 Li D14/205
2001/0017925 A1 * 8/2001 Ceravolo H04M 1/05
381/370
2005/0238189 A1 * 10/2005 Tsai H04R 1/1075
381/309
2006/0104471 A1 * 5/2006 Tsunoda H04R 1/2803
381/374
2007/0177748 A1 * 8/2007 Yang H04R 1/1075
381/309
2012/0076330 A1 * 3/2012 Cohen H04R 1/005
381/191
2016/0212519 A1 * 7/2016 Henderson H04R 5/0335

* cited by examiner

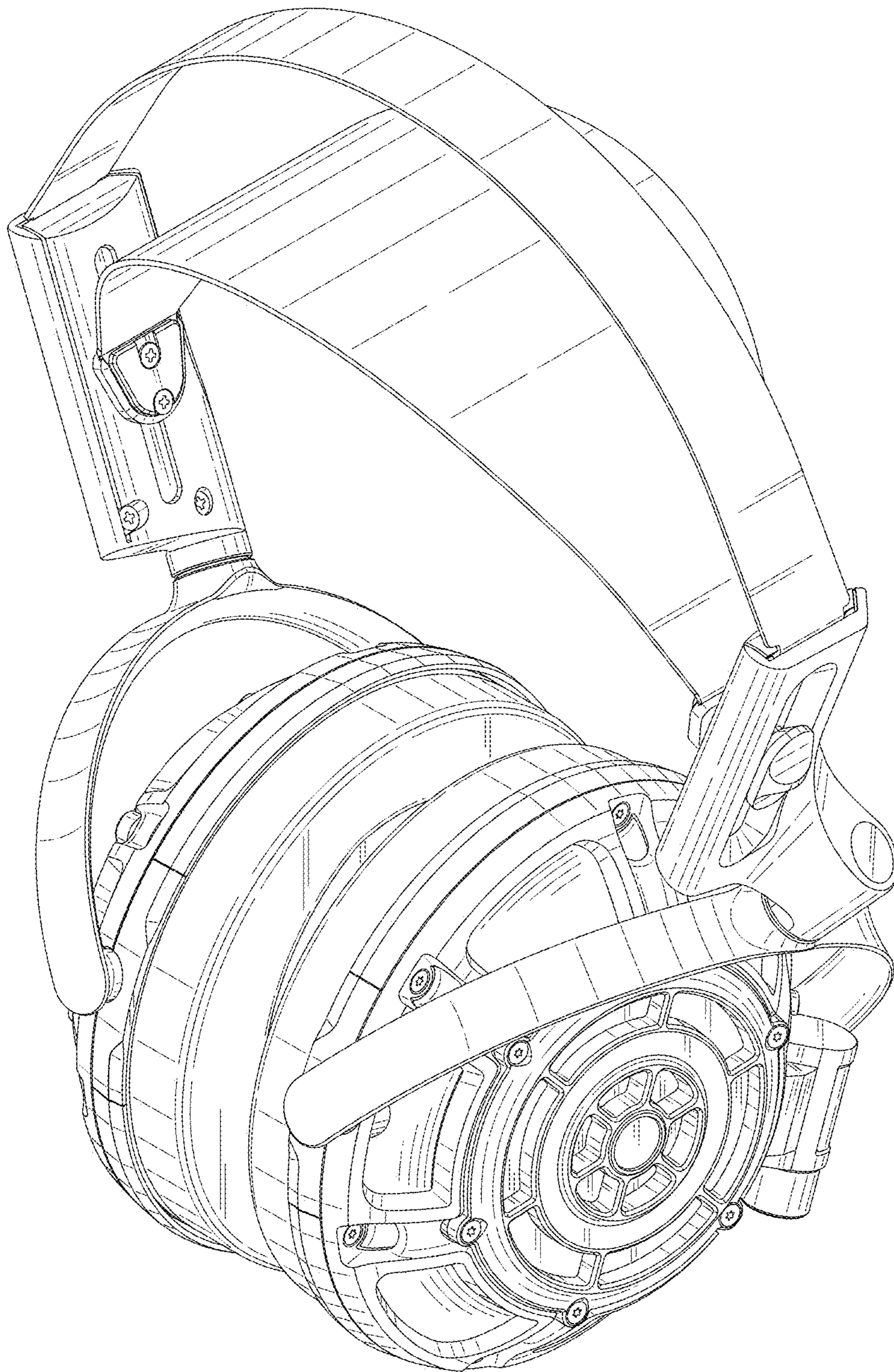


FIG. 1

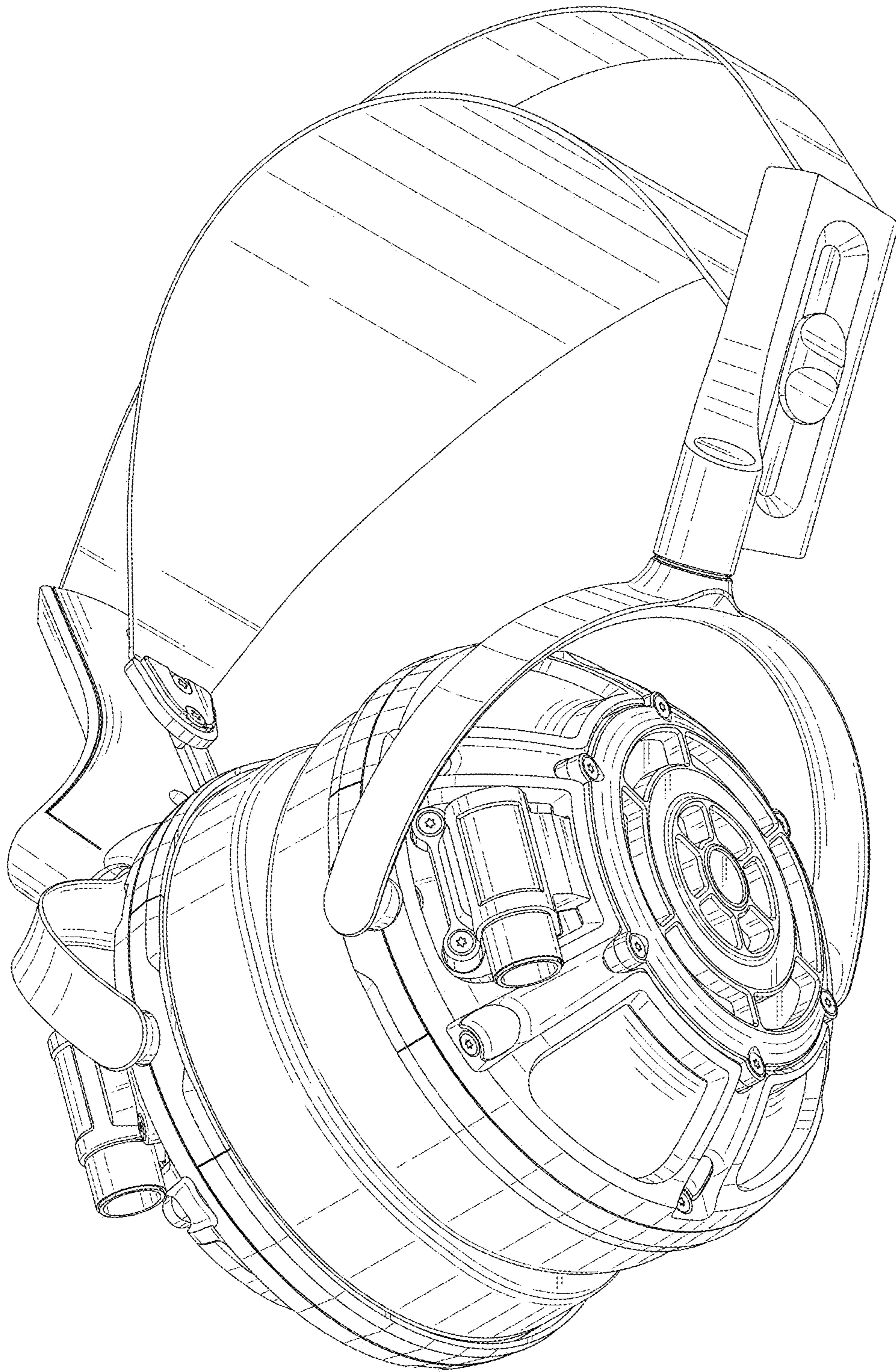


FIG. 2

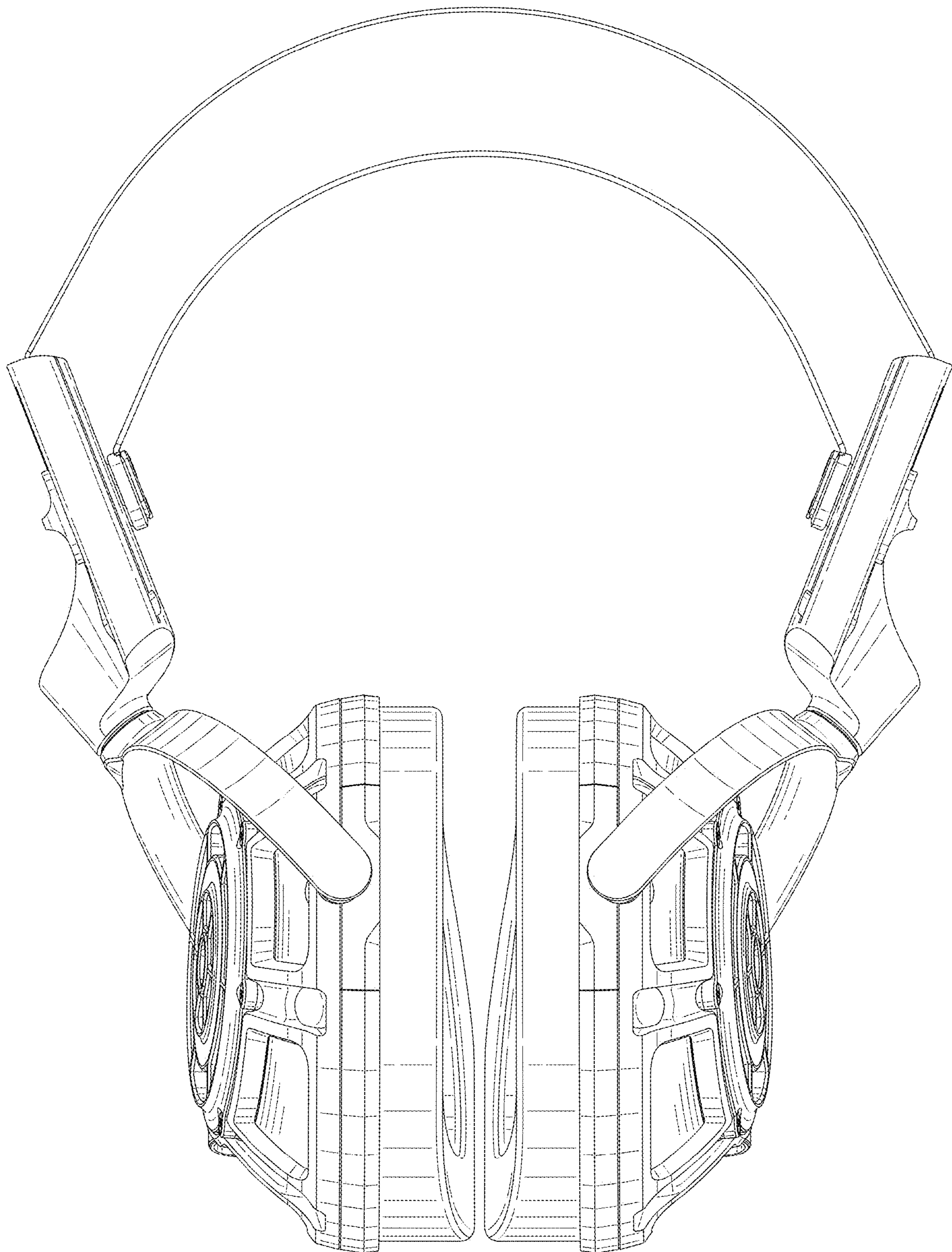


FIG. 3

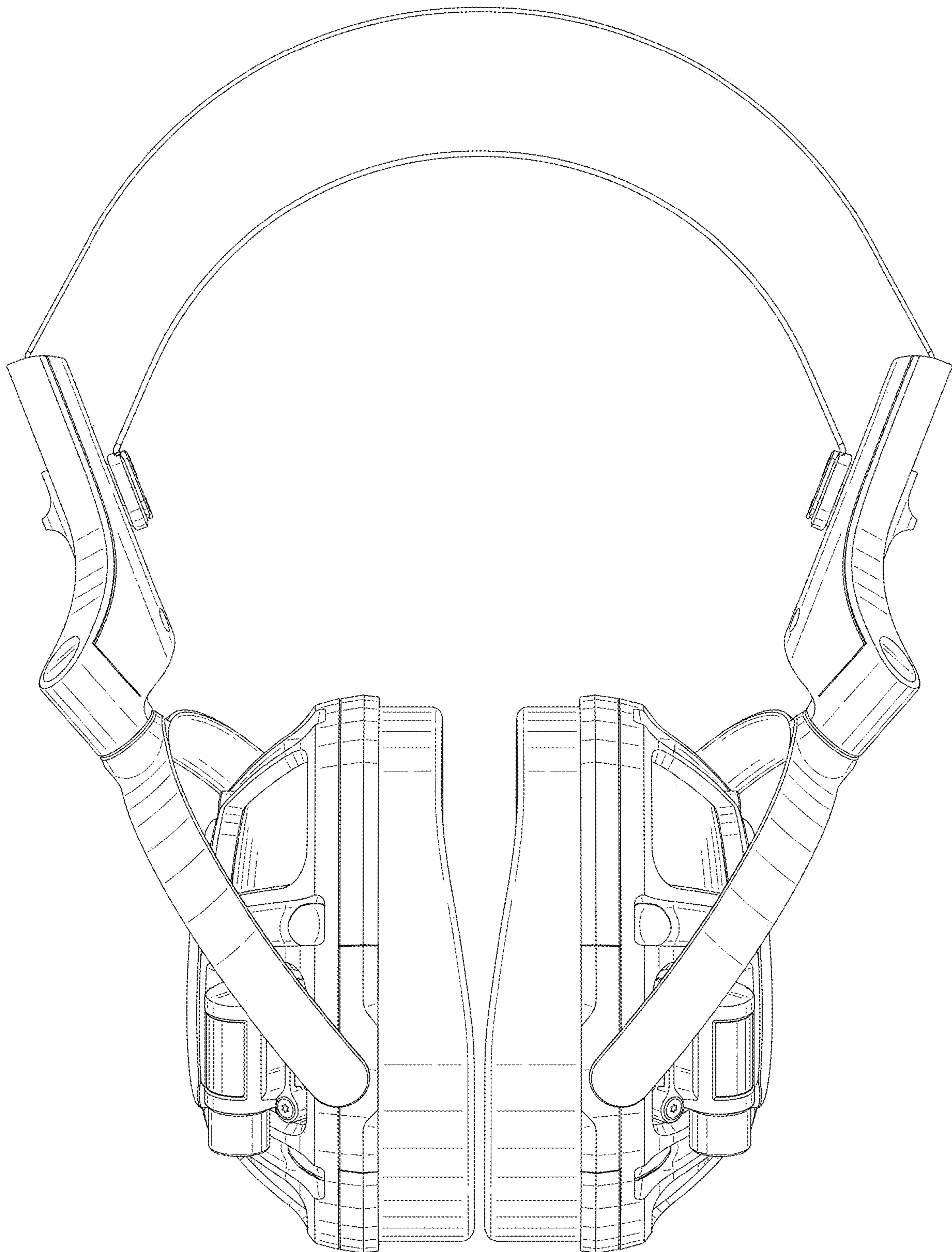


FIG. 4

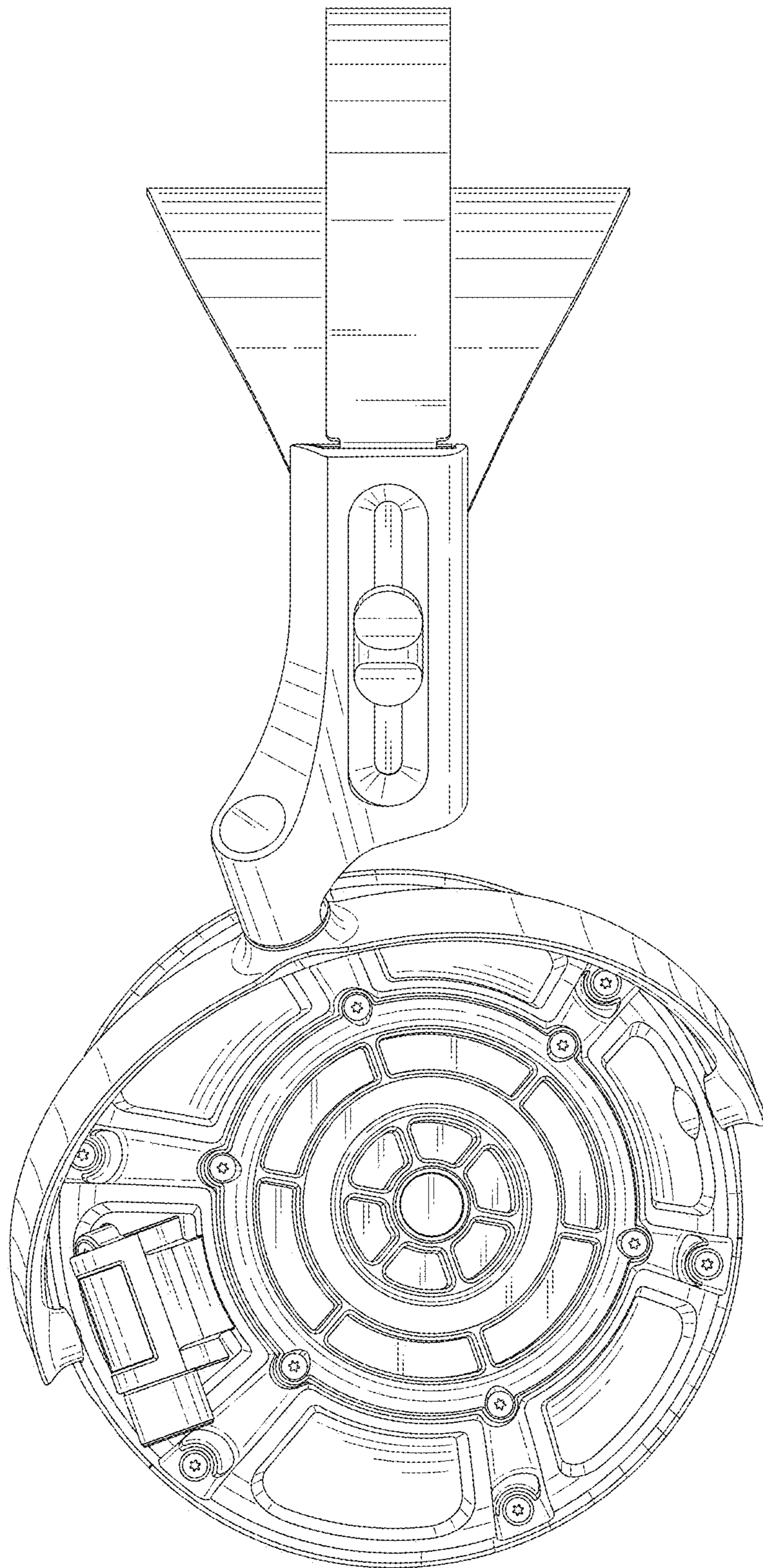


FIG. 5

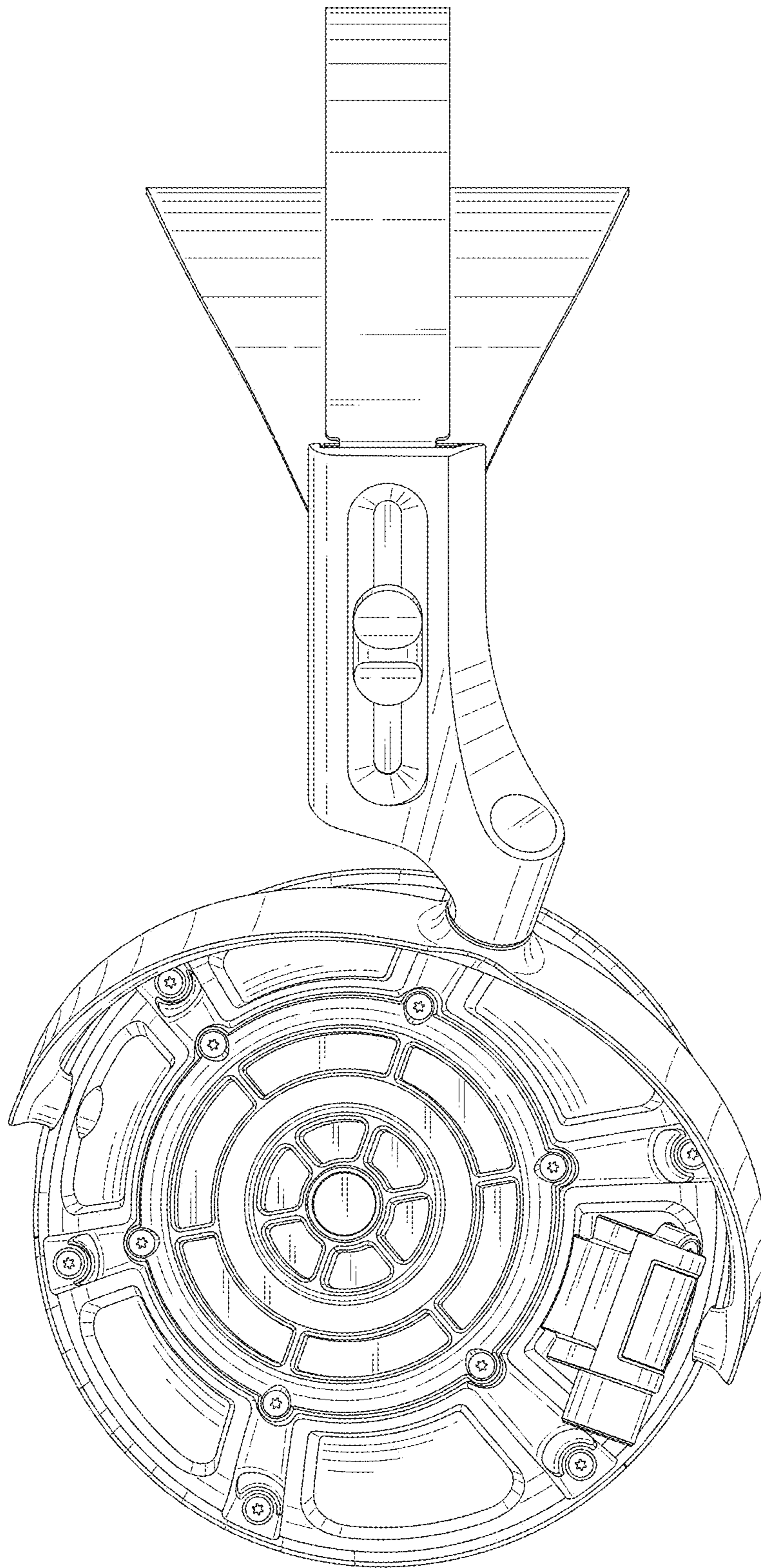


FIG. 6

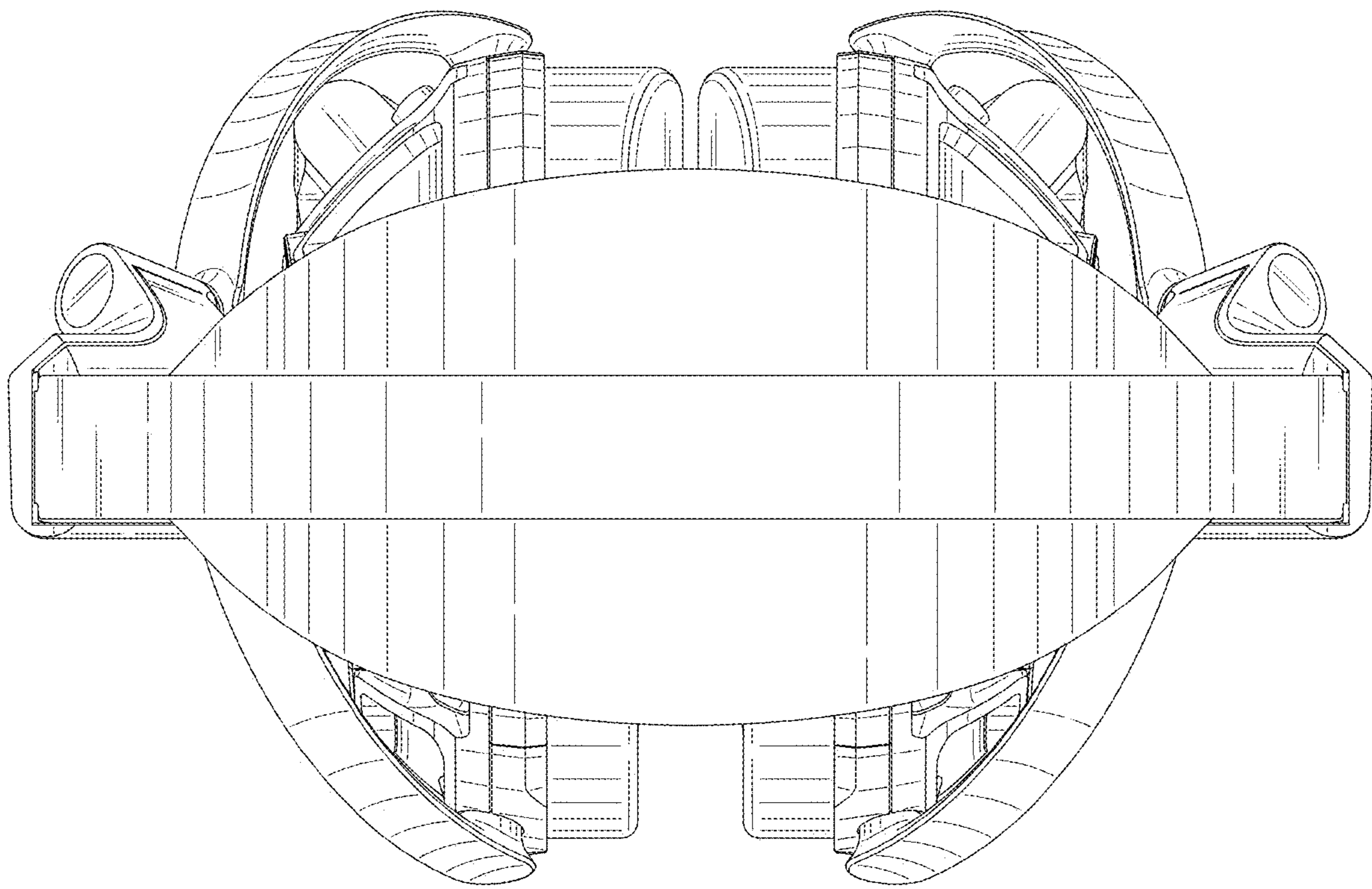


FIG. 7

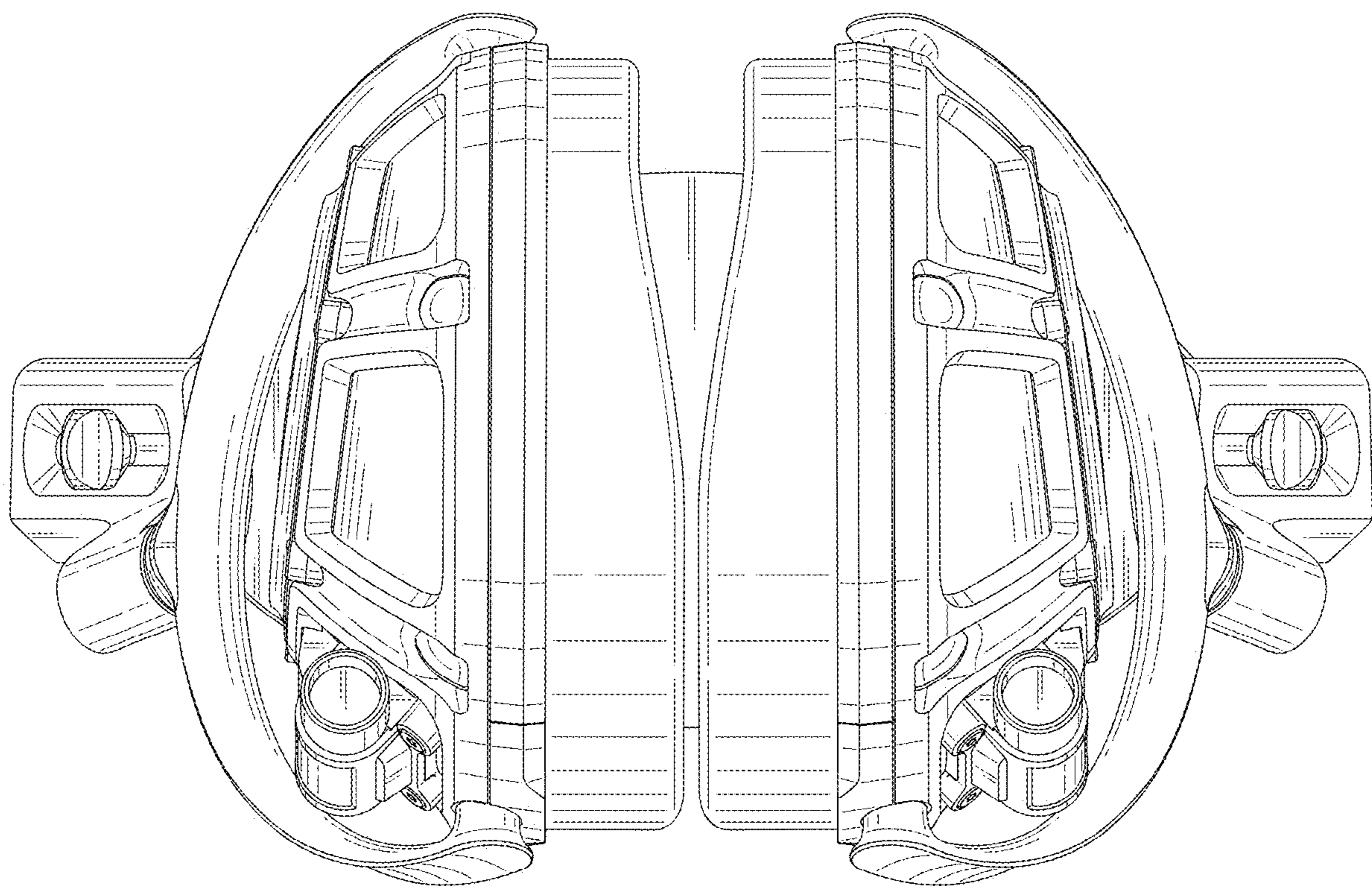


FIG. 8