



US00D904997S

(12) **United States Design Patent** (10) **Patent No.:** **US D904,997 S**
Kim et al. (45) **Date of Patent:** **** Dec. 15, 2020**

(54) **TURNTABLE**

(71) Applicant: **LG ELECTRONICS INC.**, Seoul (KR)

(72) Inventors: **Jun Ki Kim**, Seoul (KR); **Chaelin Lee**, Seoul (KR); **Chulhee Lim**, Seoul (KR); **Sungyong Park**, Seoul (KR)

(73) Assignee: **LG ELECTRONICS INC.**, Seoul (KR)

(**) Term: **15 Years**

(21) Appl. No.: **35/507,857**

(22) Filed: **May 21, 2019**

(80) **Hague Agreement Data**

Int. Filing Date: **May 21, 2019**
Int. Reg. No.: **DM/203803**
Int. Reg. Date: **May 21, 2019**
Int. Reg. Pub. Date: **Nov. 22, 2019**

(30) **Foreign Application Priority Data**

Nov. 29, 2018 (KR) 30-2018-0055926

(51) **LOC (12) Cl.** **14-03**

(52) **U.S. Cl.**
USPC **D14/203**

(58) **Field of Classification Search**
USPC D14/199-203, 217, 261
CPC G06F 3/165; G06F 3/04847; G06F 3/0481; G06F 3/04817; G06F 3/04842; G06F 3/04883; G06F 15/02; G06F 16/00; G06F 16/24562; G06F 16/44; G06F 16/48; G06F 16/635; G06F 16/639; G06F 17/11; G06F 1/1656; G06F 1/1684; G06F 1/1688; G06F 1/1698; G06F 1/182; G06F 1/3231; G06F 1/3265; G06F 21/6209; G06F 2203/04112; G06F 2203/04803; G06F 3/03; G06F 3/0304; G06F 3/044; G06F 3/0484; G06F 3/0485; G06F 3/0486; G06F 3/0488; G06F 40/45; H04R

2227/005; H04R 2420/07; H04R 27/00; H04R 3/04; H04R 3/12; H04R 1/023; H04R 1/342; H04R 2227/003; H04R 29/001; H04R 3/14; G11B 19/025; G11B 17/0407; G11B 17/053; G11B 17/22; G11B 17/225; G11B 23/023; G11B 23/03; G11B 23/0323

See application file for complete search history.

(56) **References Cited**

U.S. PATENT DOCUMENTS

D177,075 S *	3/1956	Staar	D14/203
D250,333 S *	11/1978	Meunier	D14/203
D250,334 S *	11/1978	Meunier	D14/203
D252,393 S *	7/1979	Kashidaira	D14/203
D253,648 S *	12/1979	Ohtomo	D14/203
D278,810 S *	5/1985	Murphy	D14/203
D627,354 S *	11/2010	Guinchard	D14/400
D803,182 S *	11/2017	Czaniecki	D14/203
D808,922 S *	1/2018	Waterman	D14/203
D879,740 S *	3/2020	Wu	D14/203
D891,392 S *	7/2020	Peng	D14/203

* cited by examiner

Primary Examiner — Khawaja Anwar

(74) *Attorney, Agent, or Firm* — Birch, Stewart, Kolasch & Birch, LLP

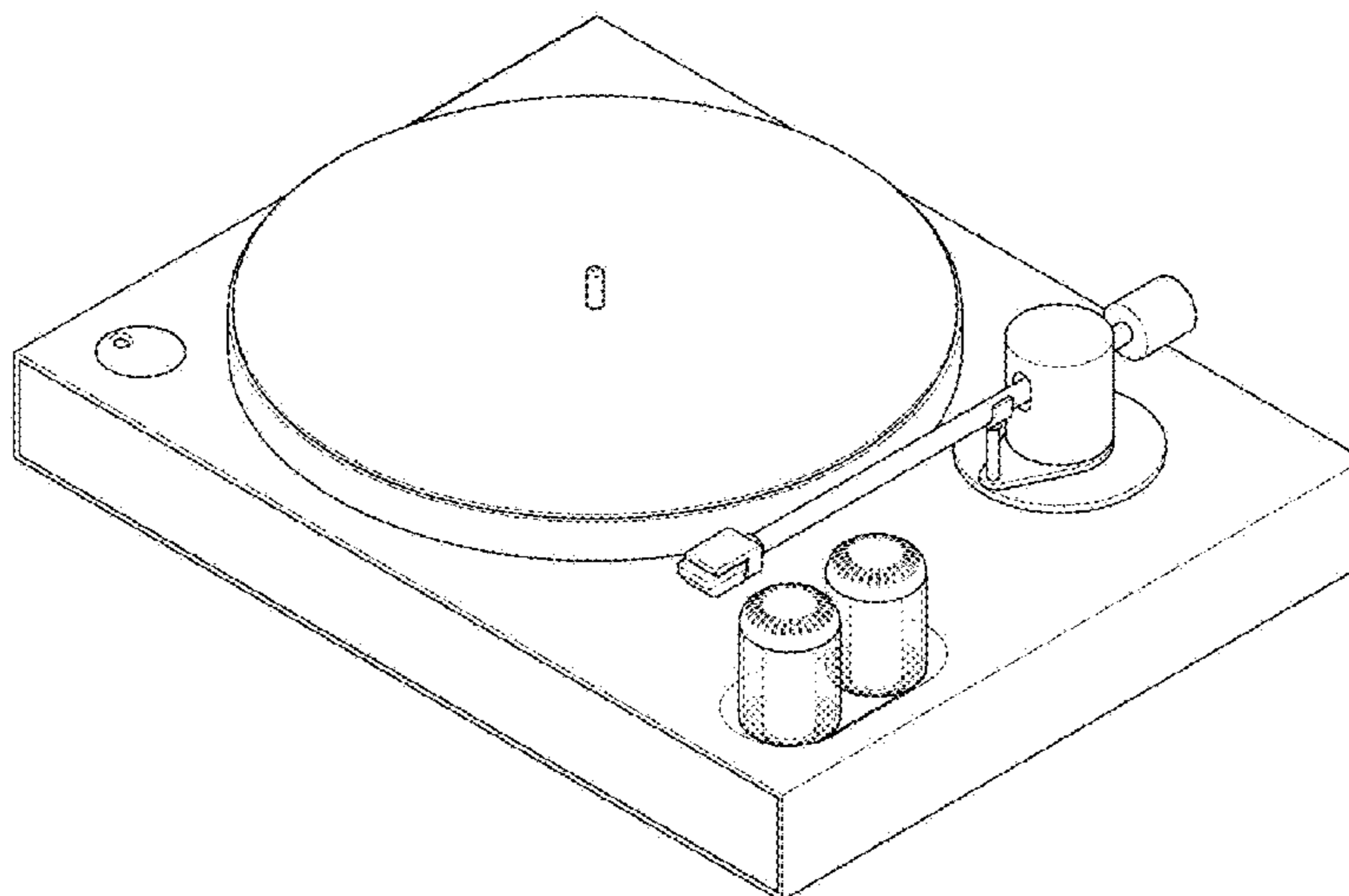
(57) **CLAIM**

The ornamental design for a turntable, as shown and described.

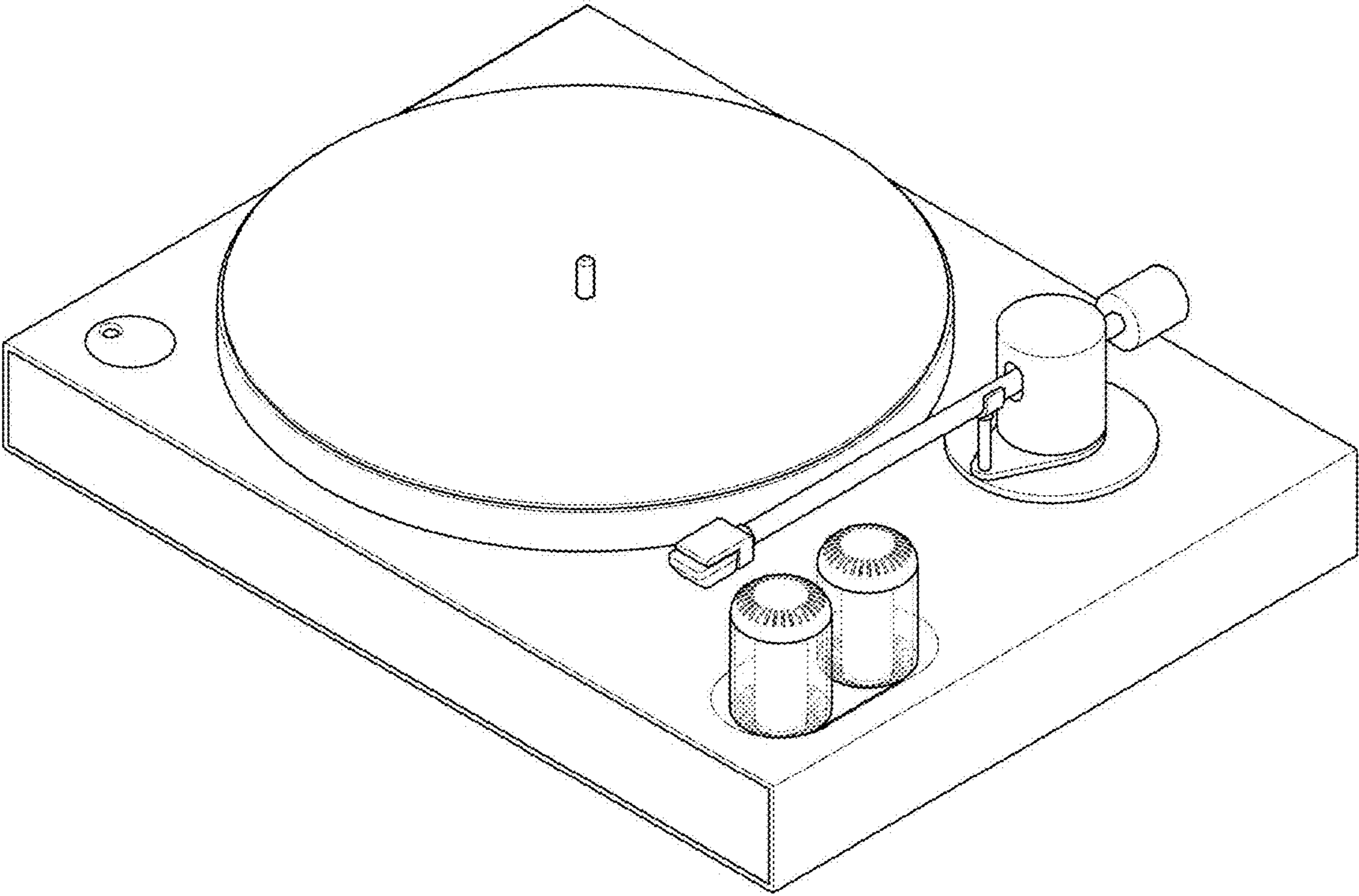
DESCRIPTION

- 1. Turntable
- 1.1 : Perspective
- 1.2 : Front
- 1.3 : Back
- 1.4 : Left
- 1.5 : Right
- 1.6 : Top
- 1.7 : Bottom

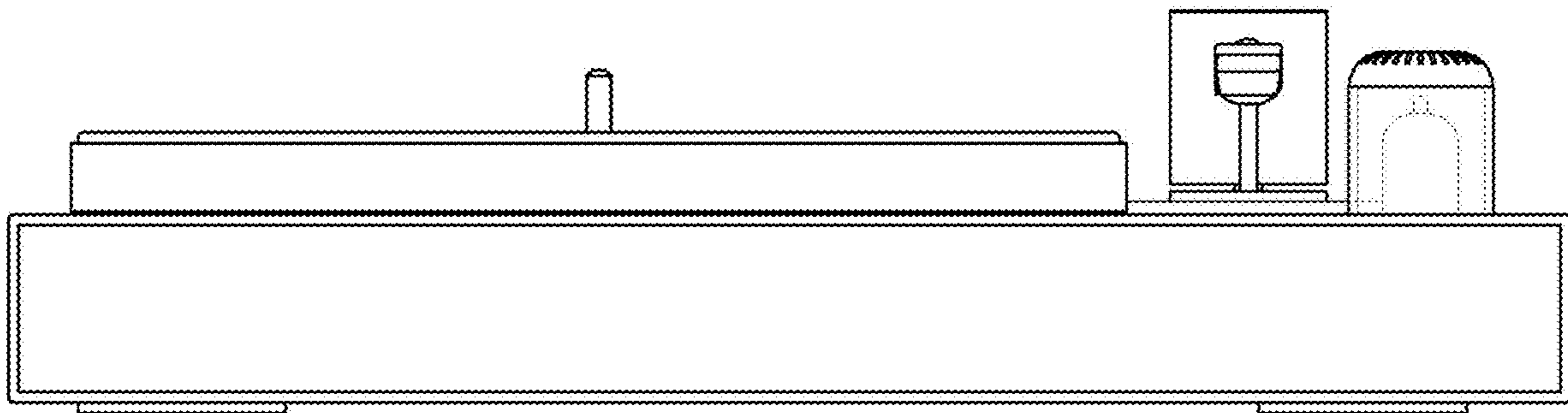
1 Claim, 7 Drawing Sheets



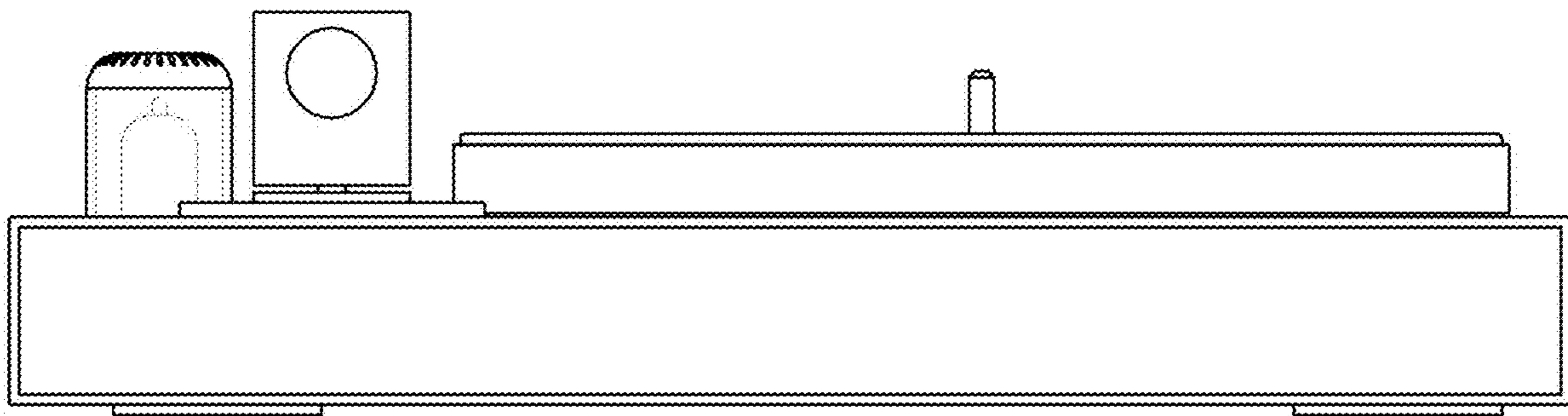
1.1



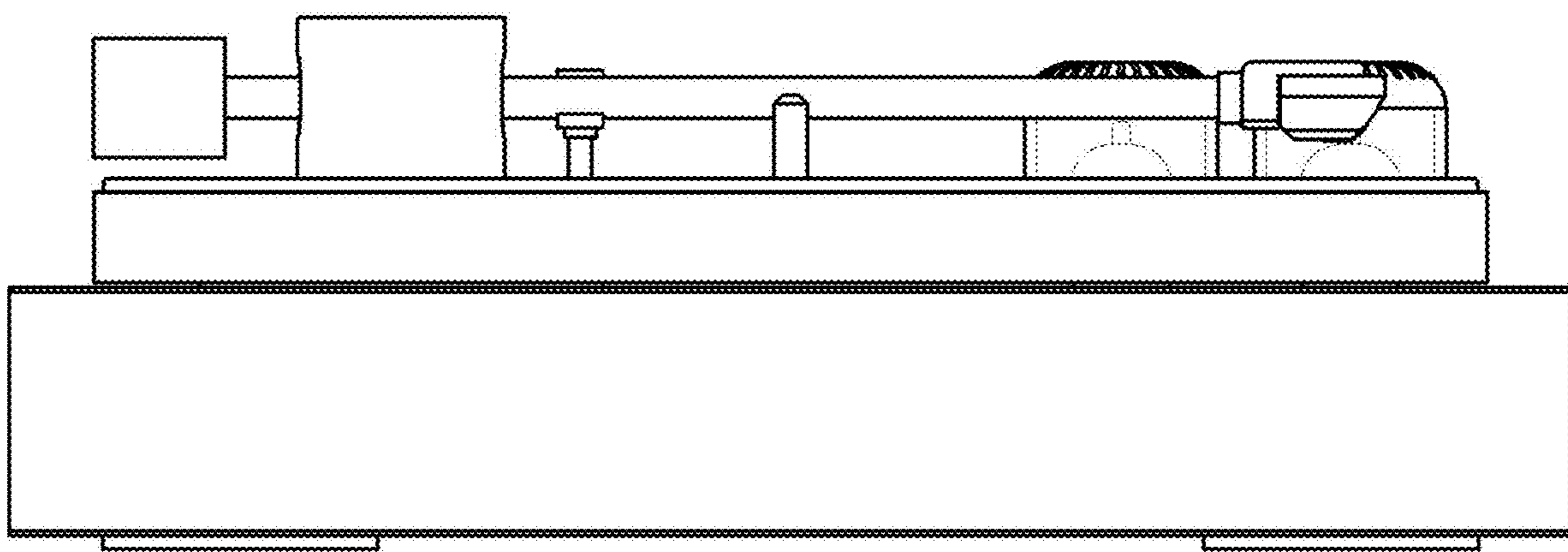
1.2



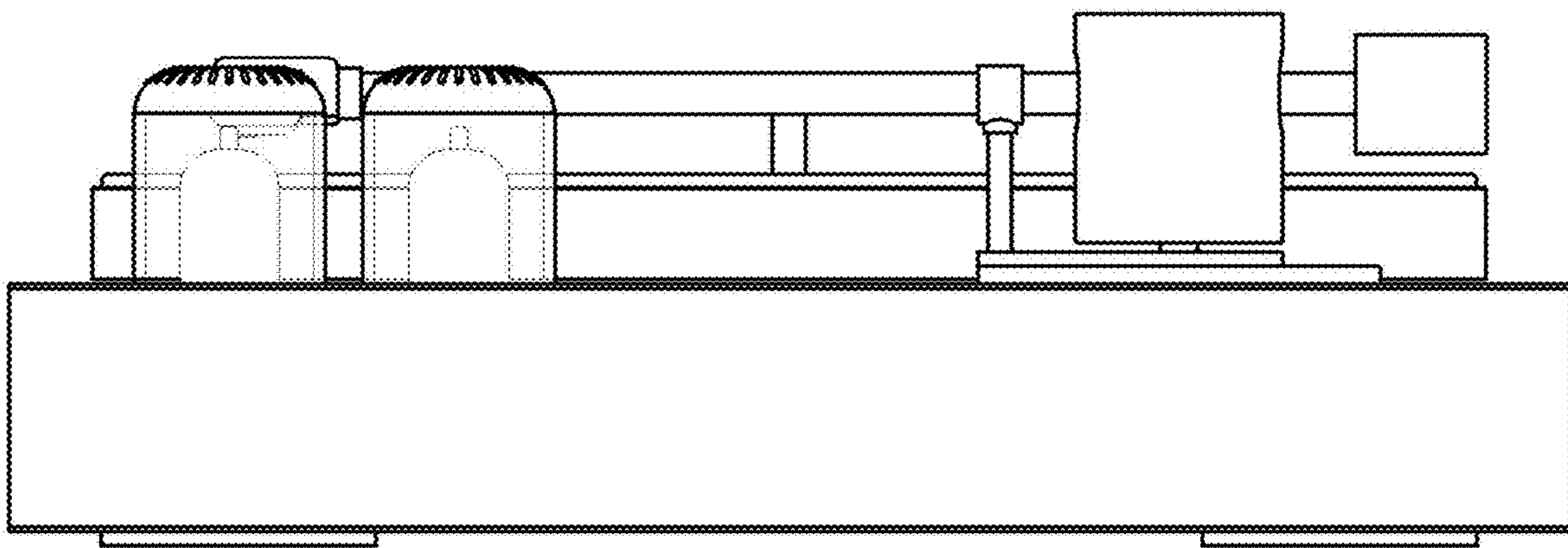
1.3



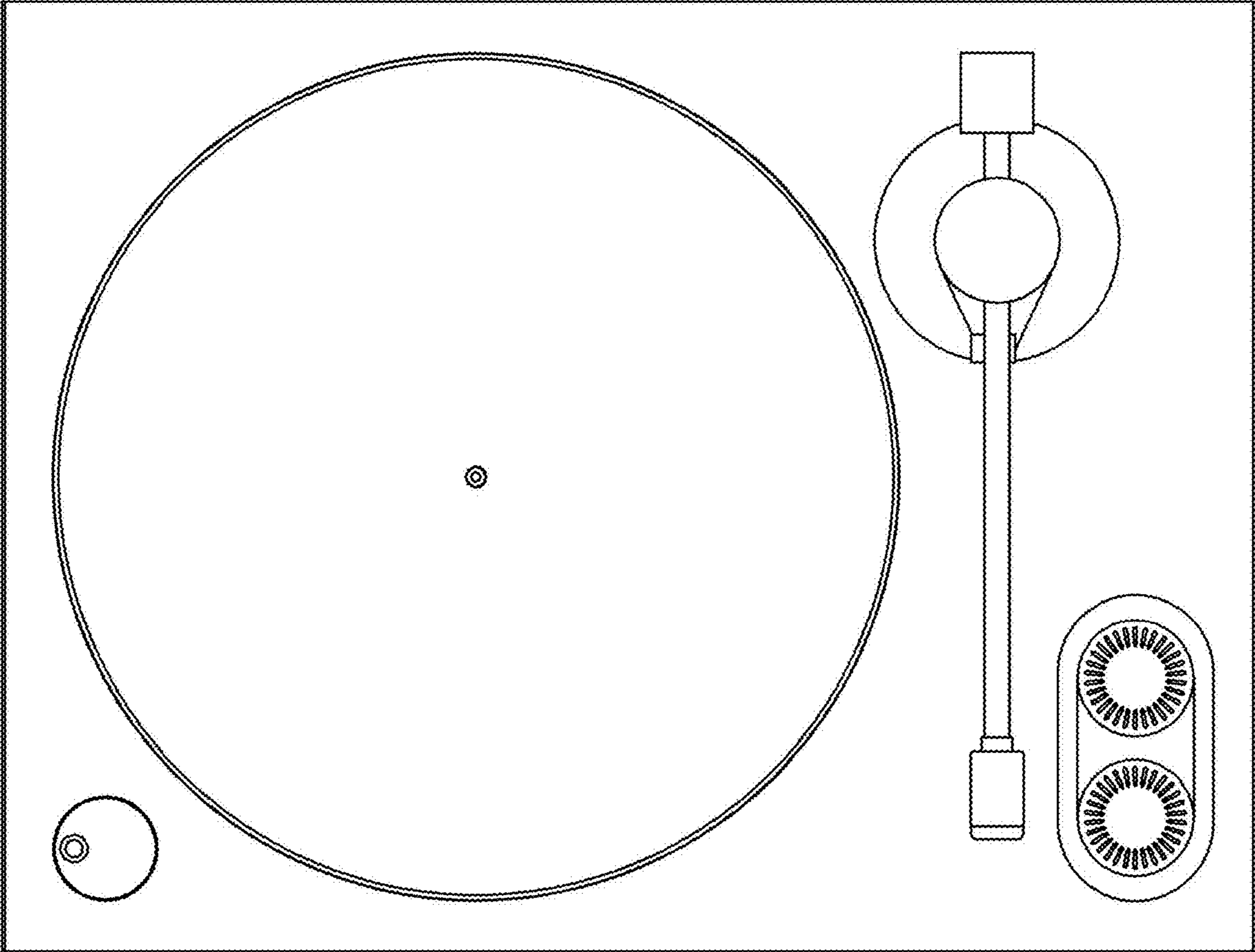
1.4



1.5



1.6



1.7

