



US00D904994S

(12) **United States Design Patent** (10) **Patent No.:** **US D904,994 S**
Lee et al. (45) **Date of Patent:** **** Dec. 15, 2020**

(54) **MOBILE TELEPHONE**

(71) Applicant: **Samsung Electronics Co., Ltd.**,
Suwon-si (KR)

(72) Inventors: **Joohyung Lee**, Suwon-si (KR);
Youngsoo Kim, Suwon-si (KR);
Sangsik Park, Suwon-si (KR)

(73) Assignee: **Samsung Electronics Co., Ltd.**,
Suwon-si (KR)

(**) Term: **15 Years**

(21) Appl. No.: **29/692,800**

(22) Filed: **May 29, 2019**

(30) **Foreign Application Priority Data**

Jan. 30, 2019 (KR) 30-2019-0004763

(51) **LOC (12) Cl.** **14-03**

(52) **U.S. Cl.**
USPC **D14/138 G**

(58) **Field of Classification Search**
USPC D14/138 G, 138 AD, 138 AB, 248, 341,
D14/371, 374, 138 R, 138 AA, 138 AC,
D14/138 C, 247

CPC H04M 1/0202; H04M 1/0235; H04M
1/0237; H04M 1/0239; H04M 1/0266;
H04M 1/0268; H04M 1/027; H04M
1/0295; H04M 1/02; H04M 1/0279;
H04M 1/0283

See application file for complete search history.

(56) **References Cited**

U.S. PATENT DOCUMENTS

D806,705 S * 1/2018 Akana D14/341
D819,591 S * 6/2018 Kwon D14/138 G
D828,819 S * 9/2018 Li D14/138 G

D855,031 S * 7/2019 Cho D14/138 G
10,462,272 B2 * 10/2019 Jung H04M 1/0264
D867,314 S * 11/2019 Mahonen D14/138 G
(Continued)

OTHER PUBLICATIONS

Samsung Galaxy A30, announced Feb. 25, 2019, [online], [retrieved
on Sep. 17, 2020]. Retrieved from Internet ,<URL: <http://www.gsmarena.com>>.*

(Continued)

Primary Examiner — Bridget L Eland

(74) *Attorney, Agent, or Firm* — NSIP Law

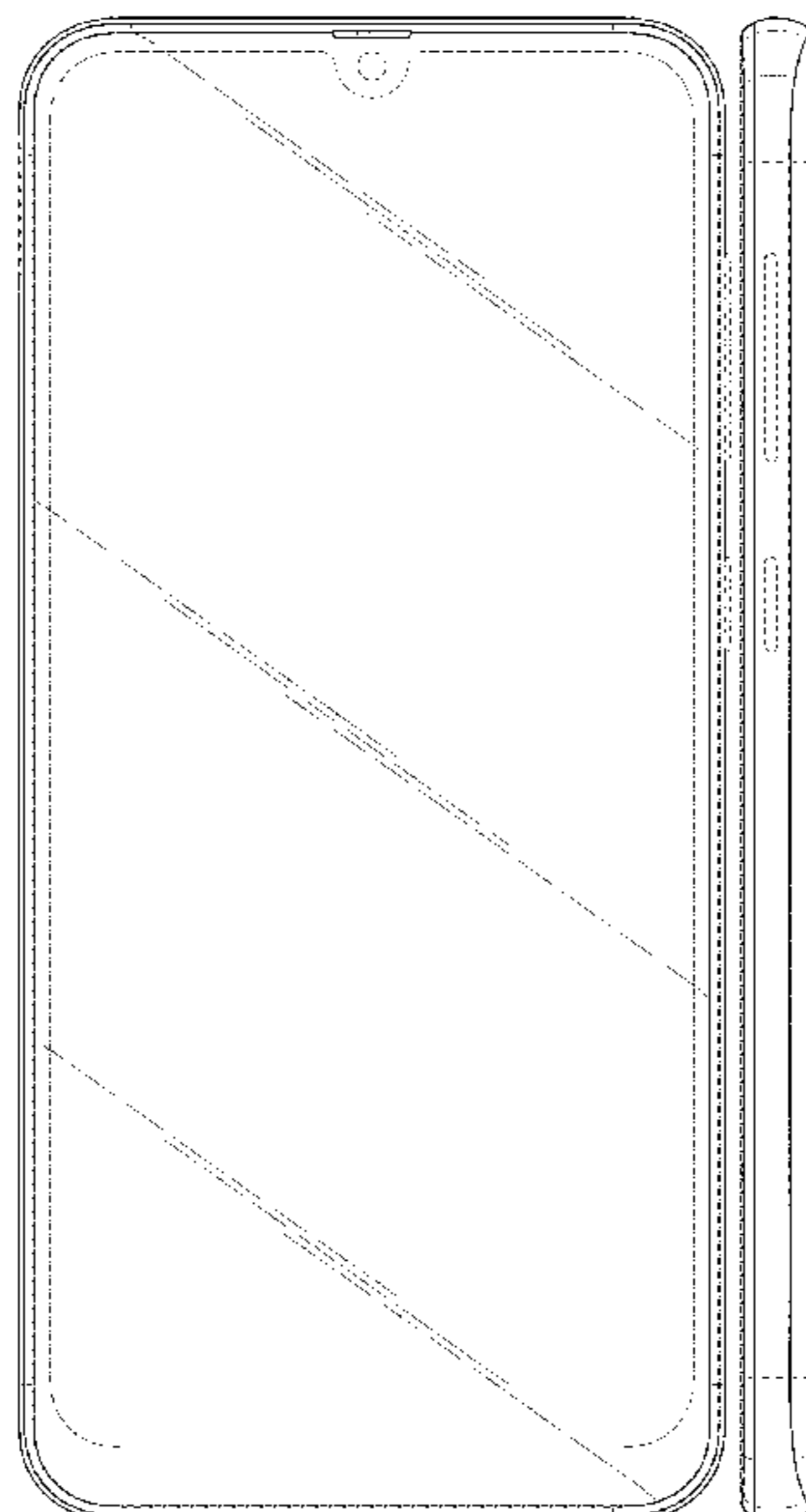
(57) **CLAIM**

We claim the ornamental design for a mobile telephone, as
shown and described.

DESCRIPTION

FIG. 1 is a front perspective view of a mobile telephone
showing our new design according to a first embodiment;
FIG. 2 is a front view thereof;
FIG. 3 is a rear view thereof;
FIG. 4 is a left-side view thereof;
FIG. 5 is a right-side view thereof;
FIG. 6 is a top view thereof;
FIG. 7 is a bottom view thereof;
FIG. 8 is a rear perspective view thereof;
FIG. 9 is a front perspective view of a mobile telephone
showing our new design according to a second embodiment;
FIG. 10 is a front view thereof;
FIG. 11 is a rear view thereof;
FIG. 12 is a left-side view thereof;
FIG. 13 is a right-side view thereof;
FIG. 14 is a top view thereof;
FIG. 15 is a bottom view thereof; and,
FIG. 16 is a rear perspective view thereof.
The broken lines in the figures depict portions of the mobile
telephone which form no part of the claimed design.

1 Claim, 12 Drawing Sheets



(56)

References Cited

U.S. PATENT DOCUMENTS

D867,317 S * 11/2019 Ha D14/138 G
D867,350 S * 11/2019 Park D14/248
D870,061 S * 12/2019 Mahonen D14/138 G
D877,110 S * 3/2020 Cho D14/138 G
D877,710 S * 3/2020 Wu D14/138 G
D879,064 S * 3/2020 Park D14/138 G
D879,736 S * 3/2020 Park D14/138 G
D883,942 S * 5/2020 Cha D14/138 G
D886,755 S * 6/2020 Park D14/138 G
D886,756 S * 6/2020 Li D14/138 G
D887,382 S * 6/2020 Park D14/138 G
D888,683 S * 6/2020 Zhang D14/138 G
D888,701 S * 6/2020 Nam D14/248
D890,112 S * 7/2020 Park D14/138 G
D890,713 S * 7/2020 Xu D14/138 G
D891,387 S * 7/2020 Ryu D14/138 G
2017/0289324 A1 * 10/2017 Yeo G03B 29/00
2018/0196475 A1 * 7/2018 Bao G02F 1/134309
2020/0213432 A1 * 7/2020 Li H04M 1/0264

OTHER PUBLICATIONS

Samsung Galaxy A40, announced Mar. 19, 2019, [online], [retrieved on Sep. 17, 2020]. Retrieved from Internet ,<URL: <http://www.gsmarena.com>>.*

* cited by examiner

FIG. 1

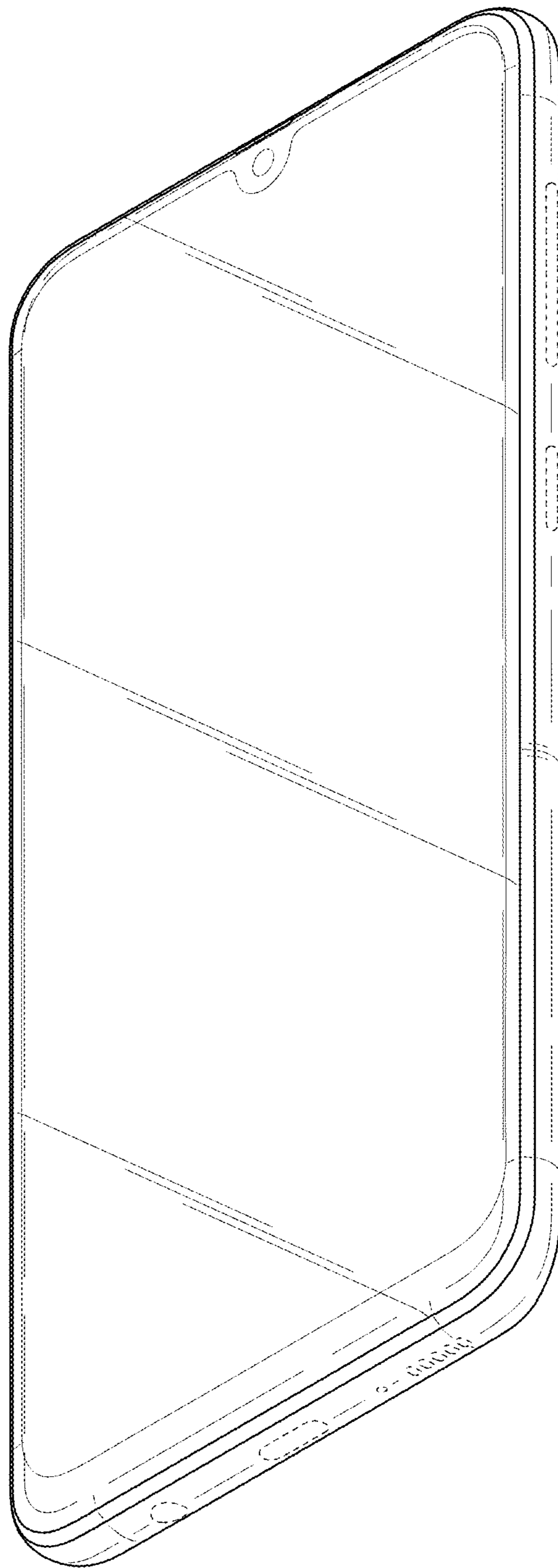


FIG. 2

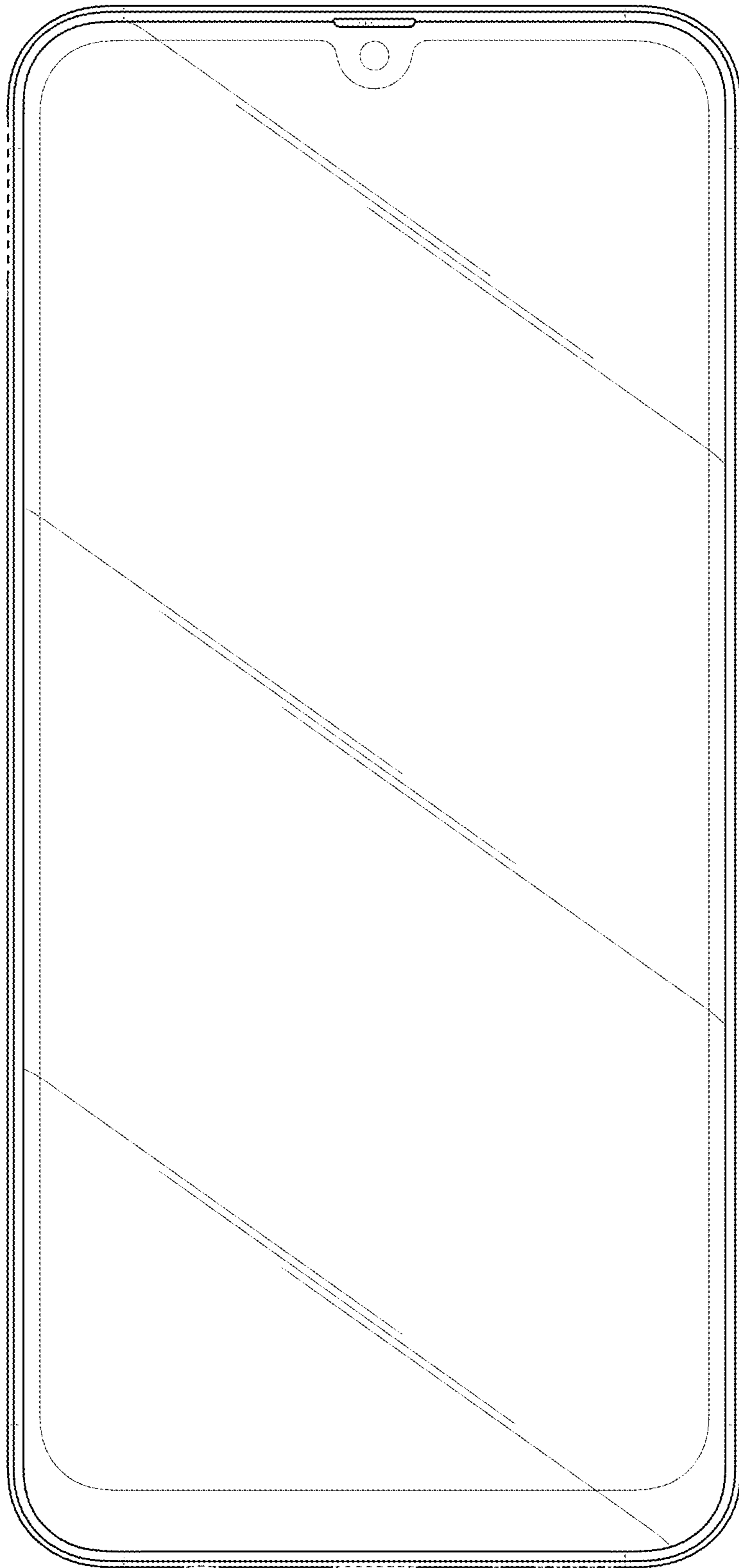


FIG. 3

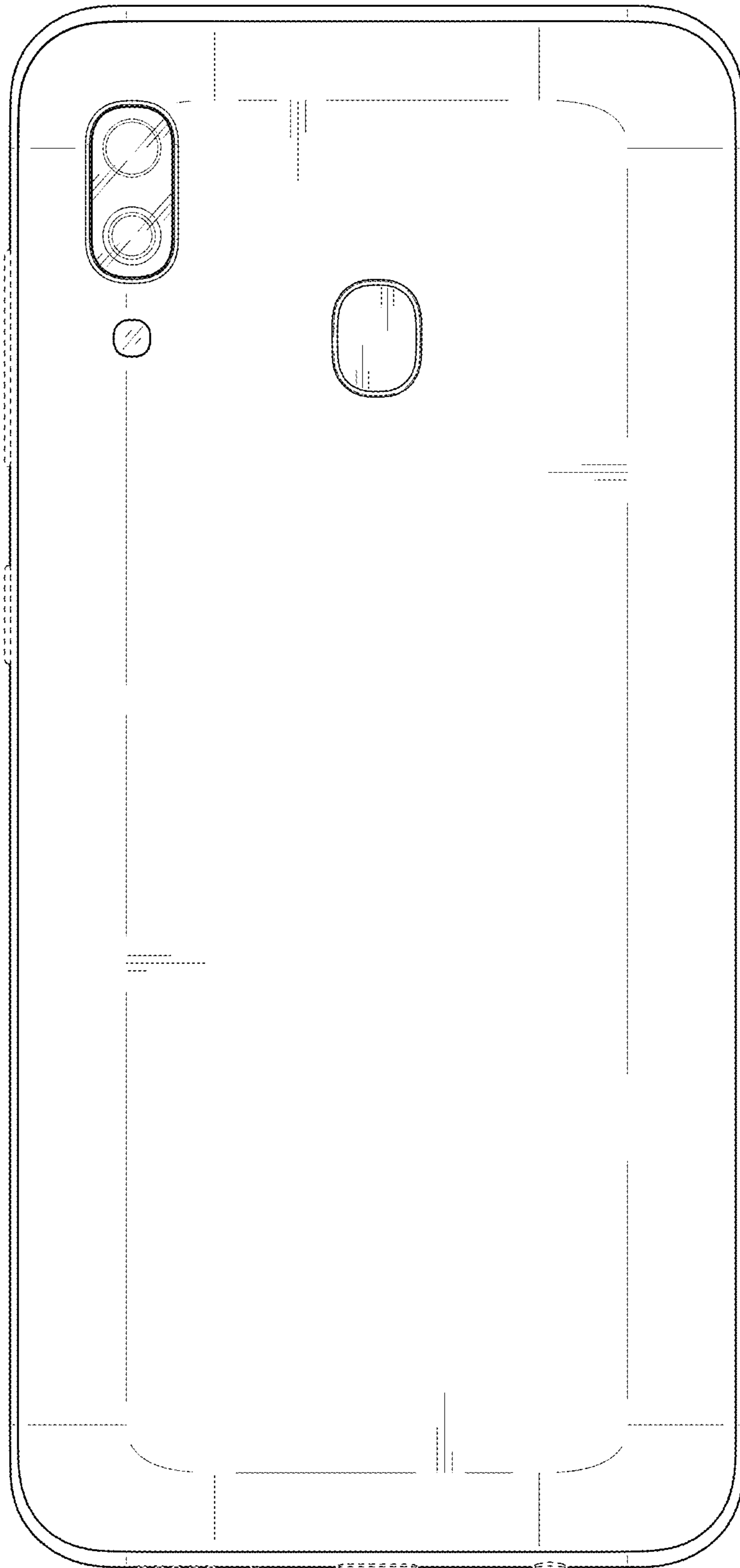


FIG. 4

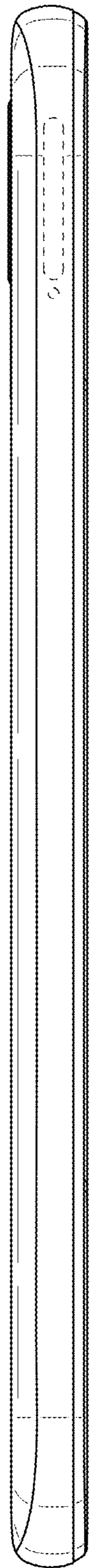


FIG. 5

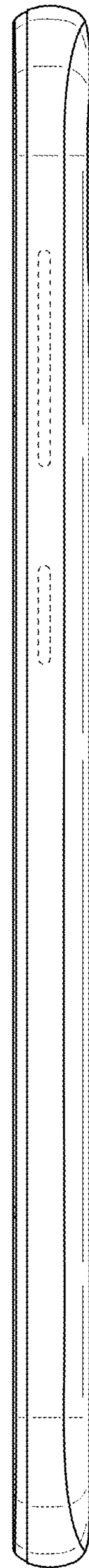


FIG. 6

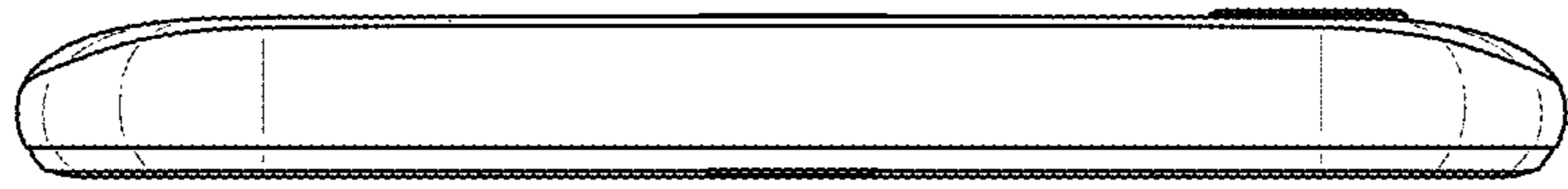


FIG. 7

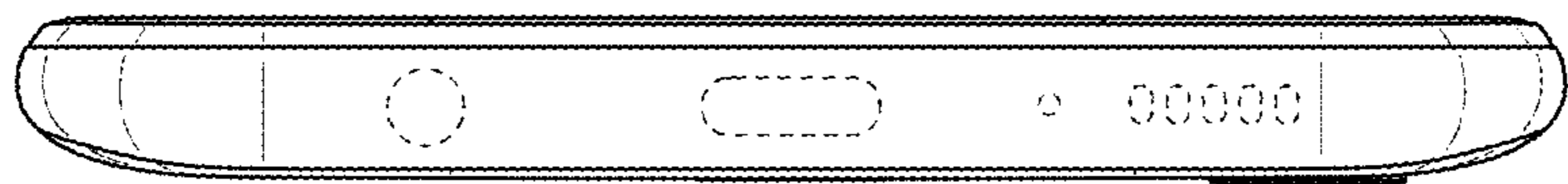


FIG. 8

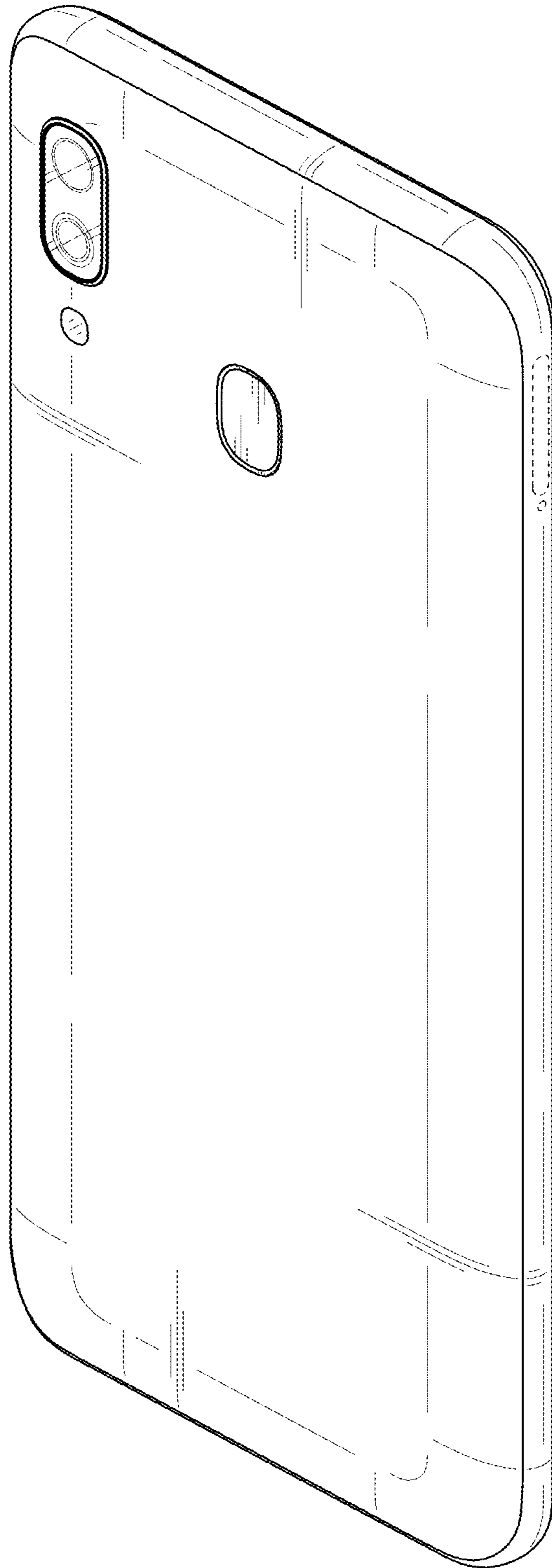


FIG. 9

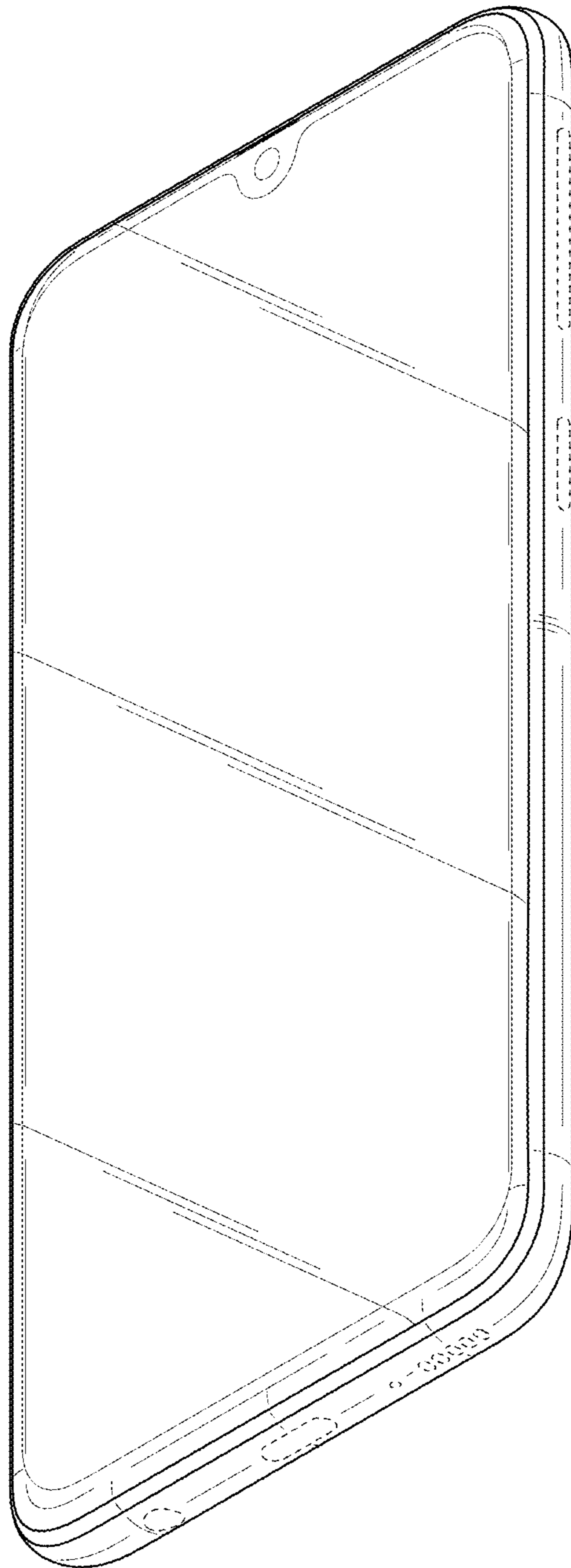


FIG. 10

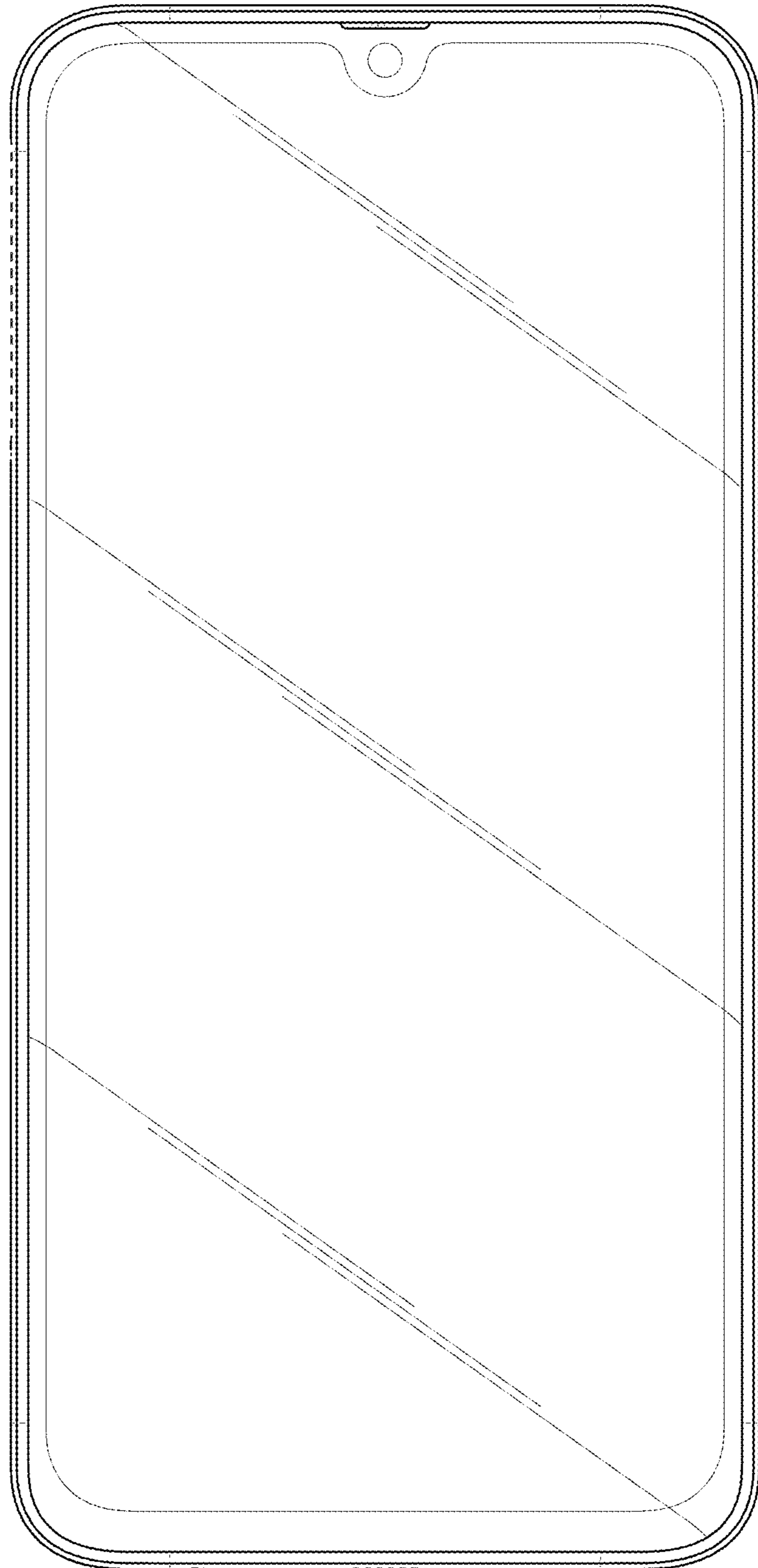


FIG. 11

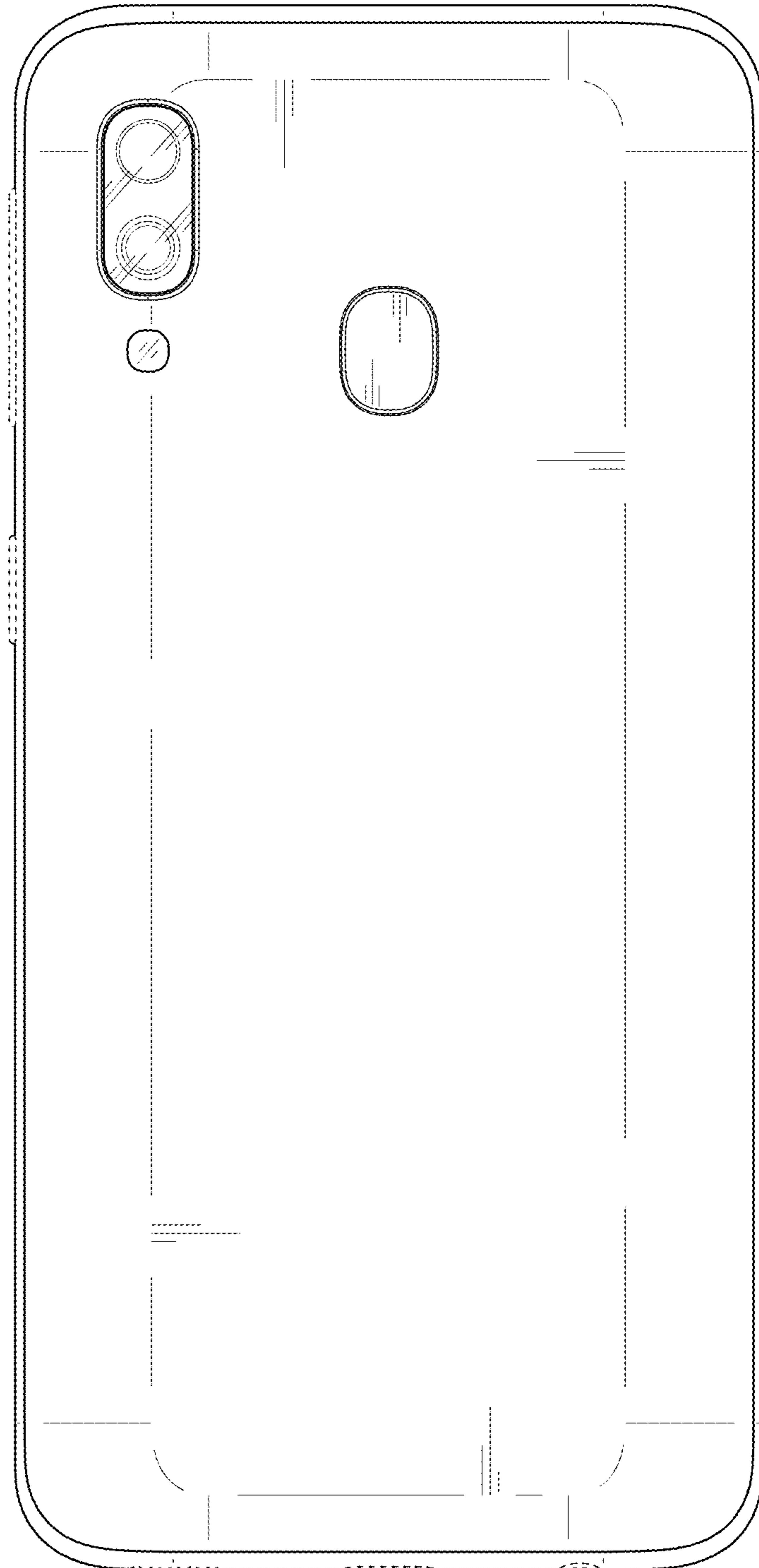


FIG. 12

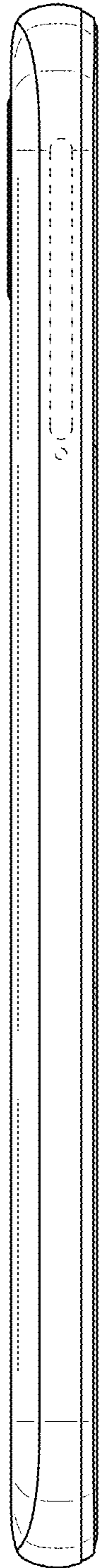


FIG. 13

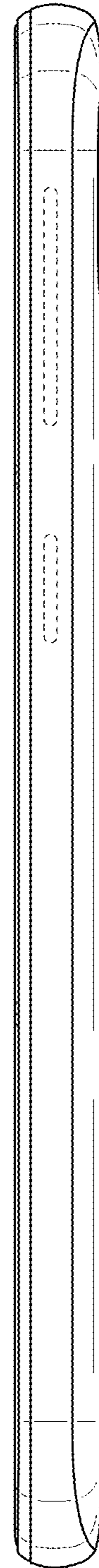


FIG. 14



FIG. 15

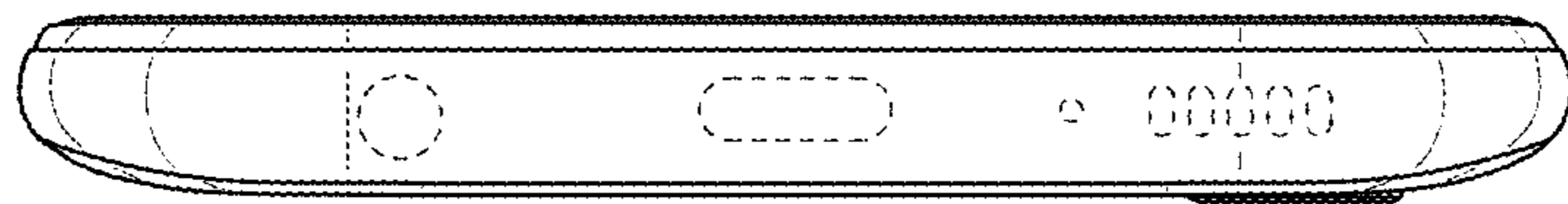


FIG. 16

