



US00D904992S

(12) **United States Design Patent** (10) **Patent No.:** **US D904,992 S**
Kim (45) **Date of Patent:** **** Dec. 15, 2020**

(54) **TELEVISION SET**

(71) Applicant: **LG DISPLAY CO., LTD.**, Seoul (KR)

(72) Inventor: **InYoung Kim**, Paju-si (KR)

(73) Assignee: **LG DISPLAY CO., LTD.**, Seoul (KR)

(**) Term: **15 Years**

(21) Appl. No.: **29/687,693**

(22) Filed: **Apr. 15, 2019**

(30) **Foreign Application Priority Data**

Oct. 16, 2018 (KR) 30-2018-0047498

(51) **LOC (12) Cl.** **14-03**

(52) **U.S. Cl.**
USPC **D14/126; D14/125**

(58) **Field of Classification Search**
USPC D14/125-137, 239, 314-316, 334, 335,
D14/371; D6/300; D9/414, 770
CPC G06F 1/16; G06F 1/1601; G06F 1/1637;
G06F 3/041; G06F 3/0412; G06F 3/0416;
H04N 5/64; H05K 5/0204; H05K 5/0017;
H05K 5/0217; H04M 1/725; H04M
1/0202; H04M 1/0266
See application file for complete search history.

(56) **References Cited**

U.S. PATENT DOCUMENTS

6,142,701 A * 11/2000 Falcon E01F 13/028
160/24
D542,243 S * 5/2007 Lewis D14/126
D597,042 S * 7/2009 Hasegawa D14/126
D598,053 S * 8/2009 Sanchez D14/159

(Continued)

FOREIGN PATENT DOCUMENTS

JP D2019-8028 * 9/2019
KR 3020180047498 * 4/2019

(Continued)

OTHER PUBLICATIONS

Samsung QLED TV Stand, 2017 [online], [retrieved Aug. 14, 2020], Retrieved from Internet, URL: <https://blond.cc/project/samsung-qled> (Year: 2017).*

Primary Examiner — Barbara Fox

Assistant Examiner — Aram Kwon

(74) *Attorney, Agent, or Firm* — Birch, Stewart, Kolasch & Birch, LLP

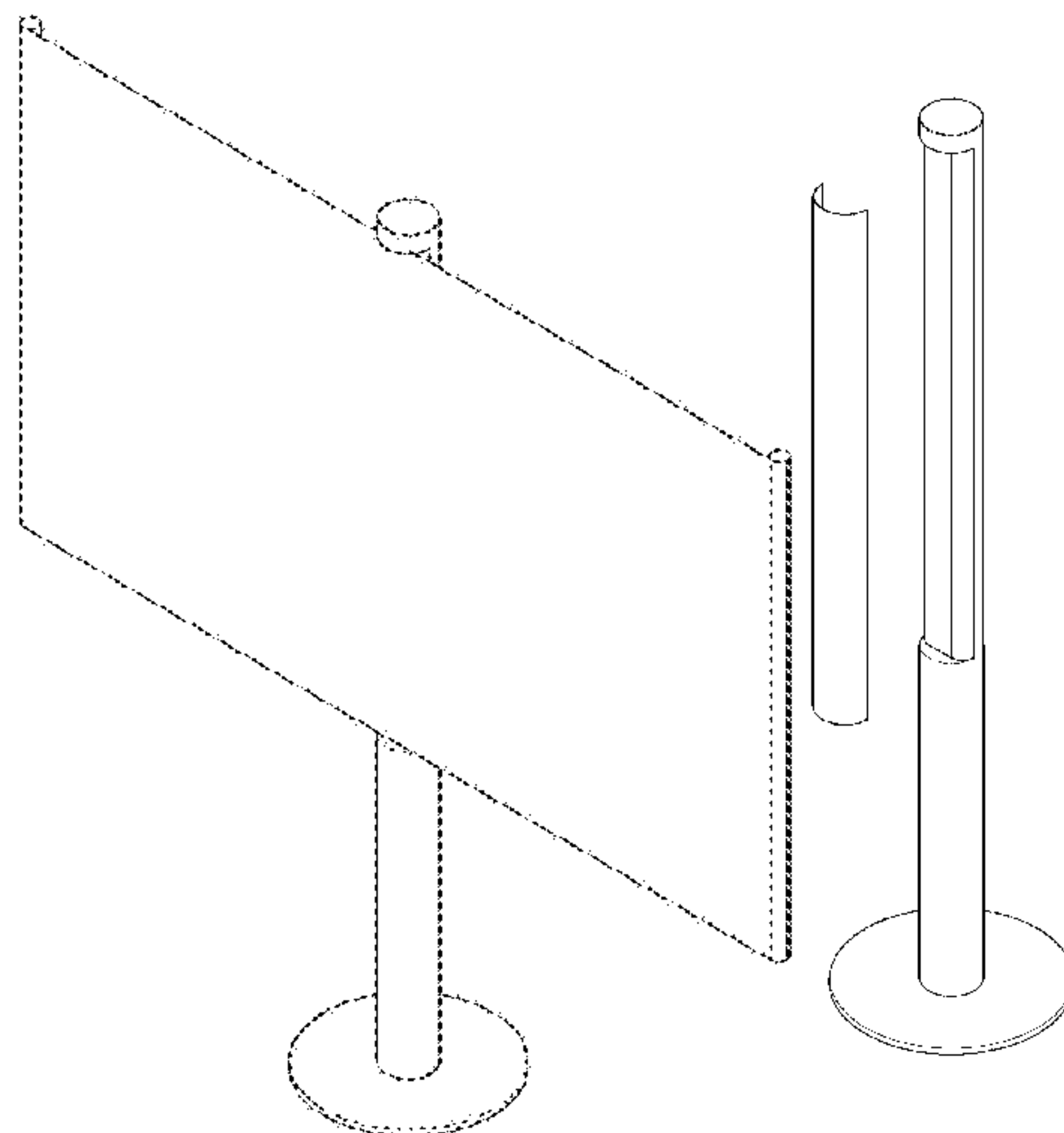
(57) **CLAIM**

The ornamental design for a television set, as shown and described.

DESCRIPTION

FIG. 1 is a front, right perspective view of the television set showing my new design with the display in an unrolled state; FIG. 2 is a front view thereof; FIG. 3 is a rear view thereof; FIG. 4 is a left side view thereof; FIG. 5 is a right side view thereof; FIG. 6 is a top plan view thereof; FIG. 7 is a bottom plan view thereof; FIG. 8 is a front, right perspective view of the television set with the display in a rolled state; FIG. 9 is a front view thereof; FIG. 10 is a rear view thereof; FIG. 11 is a left side view thereof; FIG. 12 is a right side view thereof; FIG. 13 is a top plan view thereof; FIG. 14 is a bottom plan view thereof; FIG. 15 is a front, right perspective view of the television set shown with a cover over the rolled display; and, FIG. 16 is an exploded front, right perspective view of the television set shown with the cover separated from the rolled display.

1 Claim, 15 Drawing Sheets



(56)

References Cited

U.S. PATENT DOCUMENTS

D599,755 S * 9/2009 Jin D14/126
D625,302 S * 10/2010 Kasuga D14/239
D625,528 S * 10/2010 Sprague D6/681
D671,083 S * 11/2012 Kim D14/126
D734,280 S * 7/2015 Choi D14/126
D762,213 S * 7/2016 Won D14/374
D806,664 S * 1/2018 Cho D14/126
D807,311 S * 1/2018 Lee D14/126
D807,847 S * 1/2018 Ahn D14/126
D812,580 S * 3/2018 Won D14/126
D826,887 S * 8/2018 Kymm D14/126
D839,248 S * 1/2019 Hwang D14/239
10,171,768 B2 * 1/2019 Rakshit G06F 3/0346
10,253,921 B2 * 4/2019 Yoon F16M 11/24
D871,395 S * 12/2019 Yang D14/336
2016/0034000 A1 * 2/2016 Lee G06F 1/1652
361/749

FOREIGN PATENT DOCUMENTS

KR 3020150054931 * 7/2019
KR 3020170055049 * 8/2019
KR 3020160034942 * 2/2020

* cited by examiner

FIG. 1

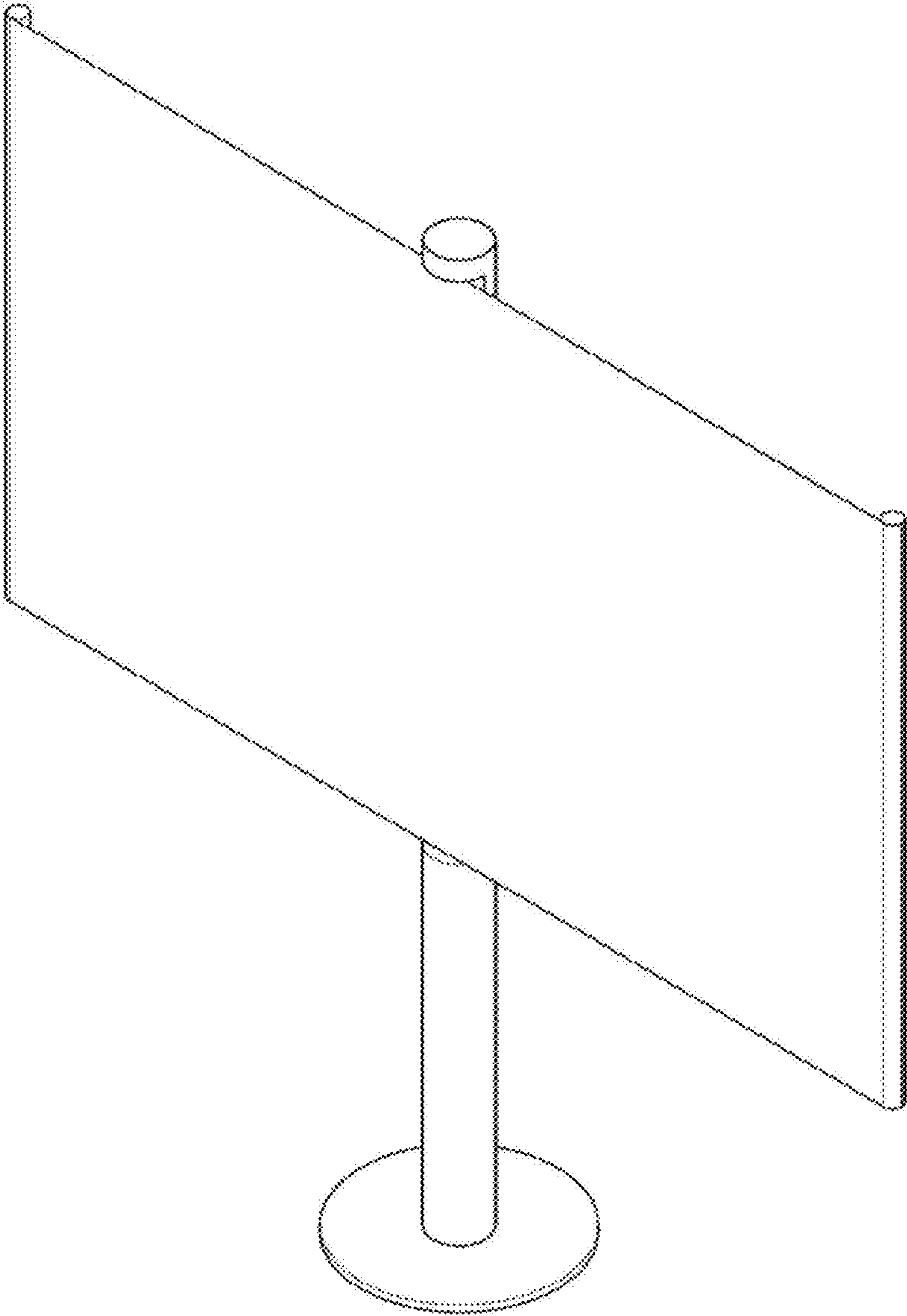


FIG. 2

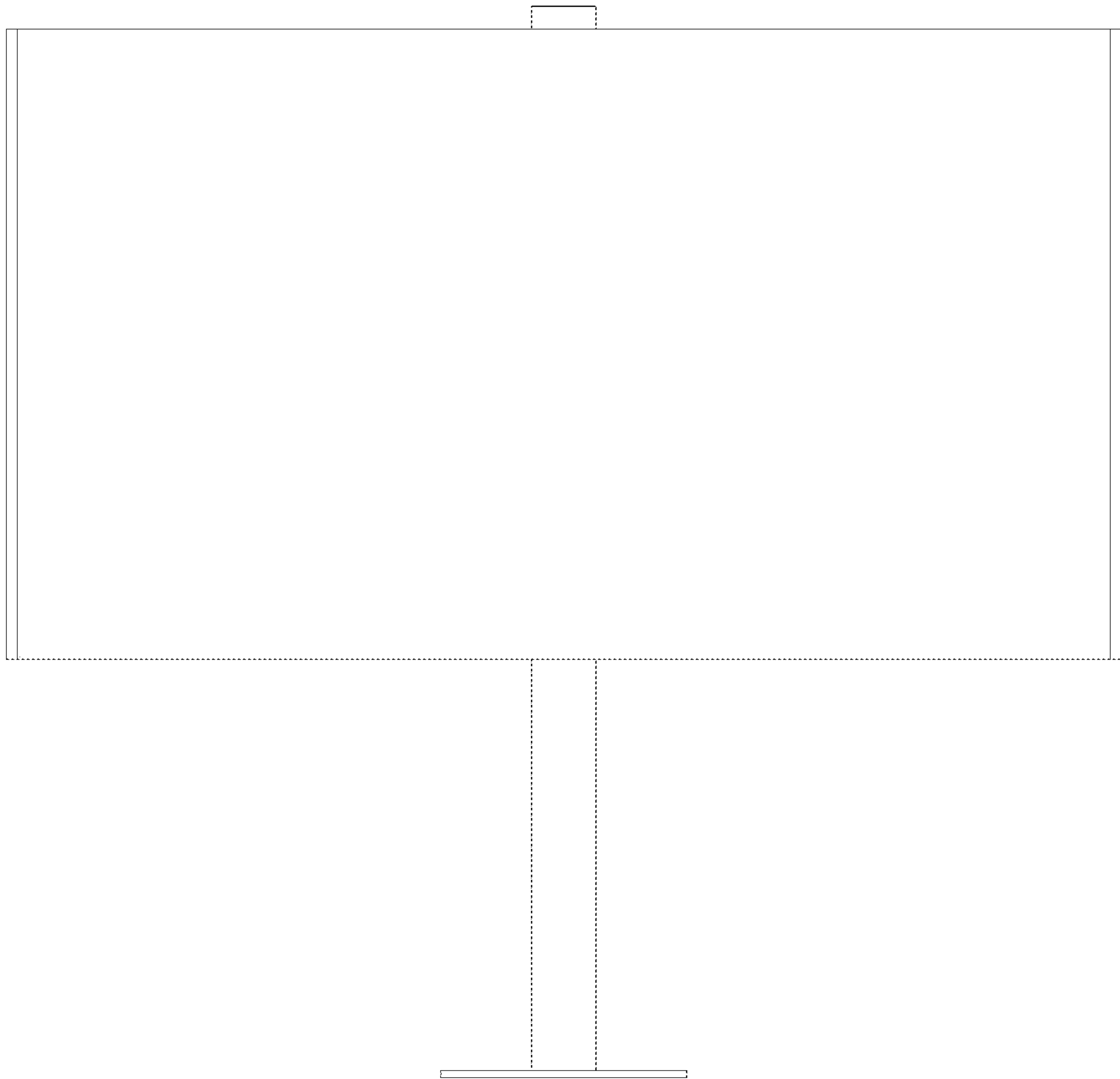


FIG. 3

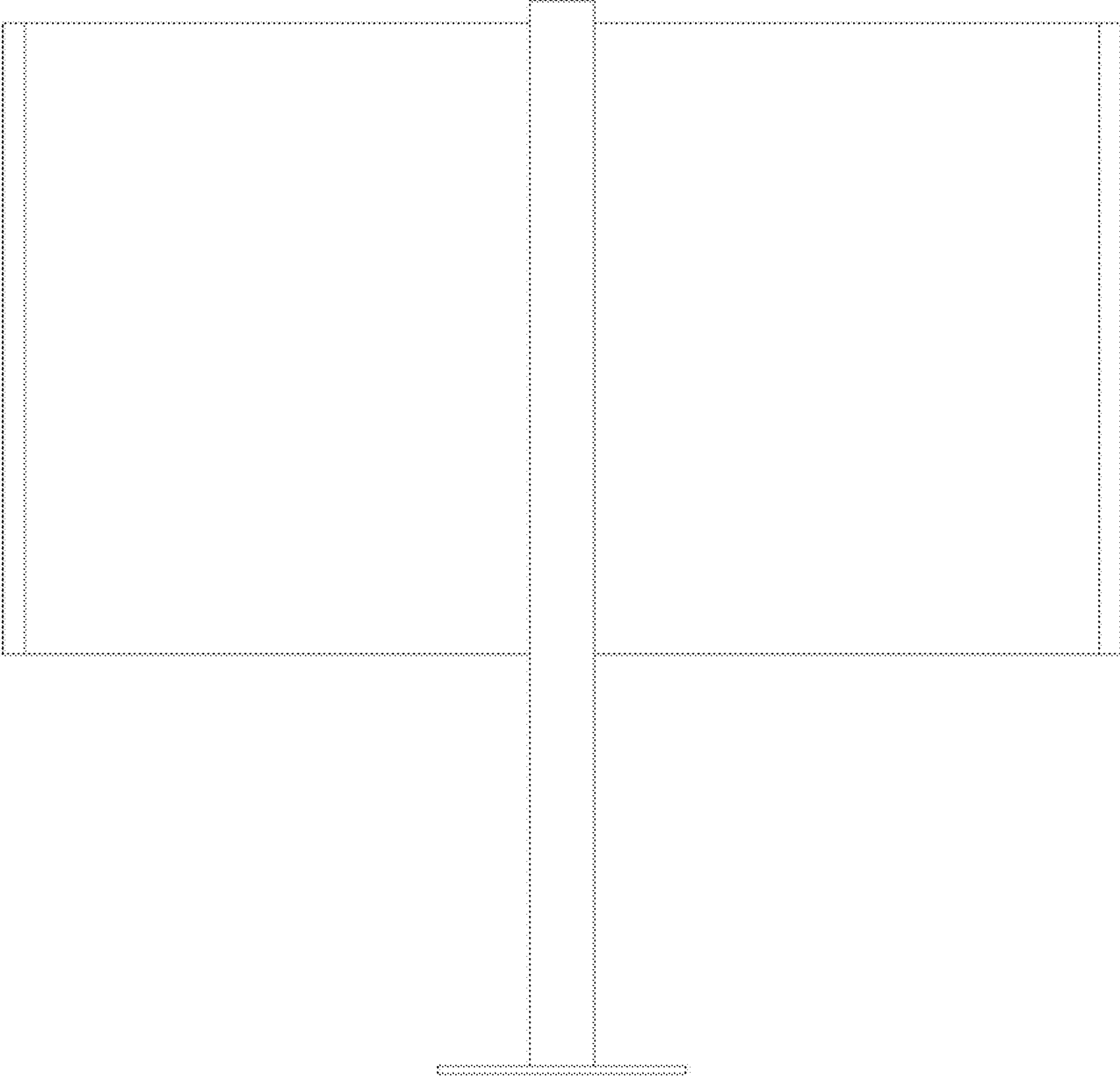


FIG. 4

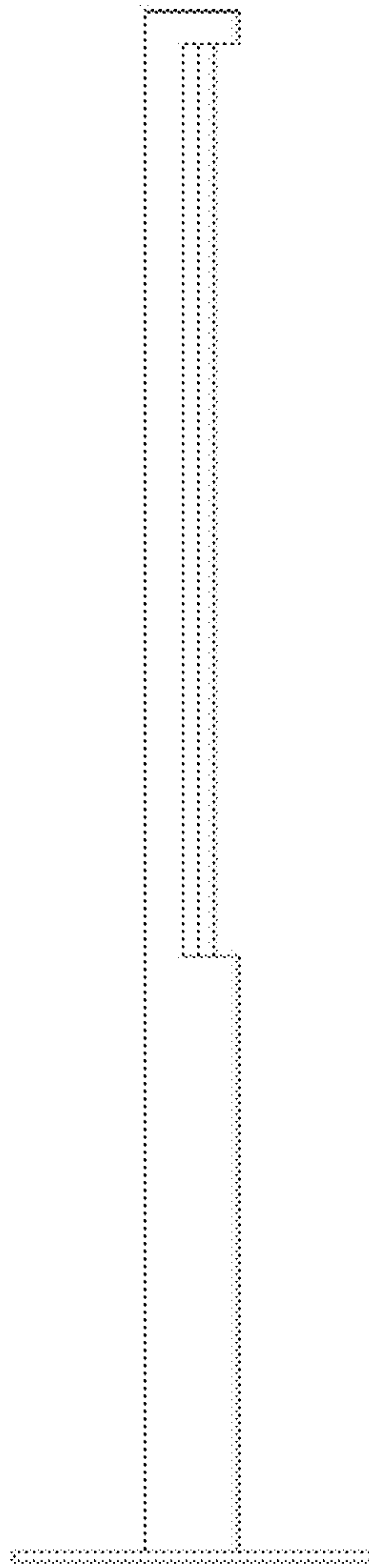


FIG. 5

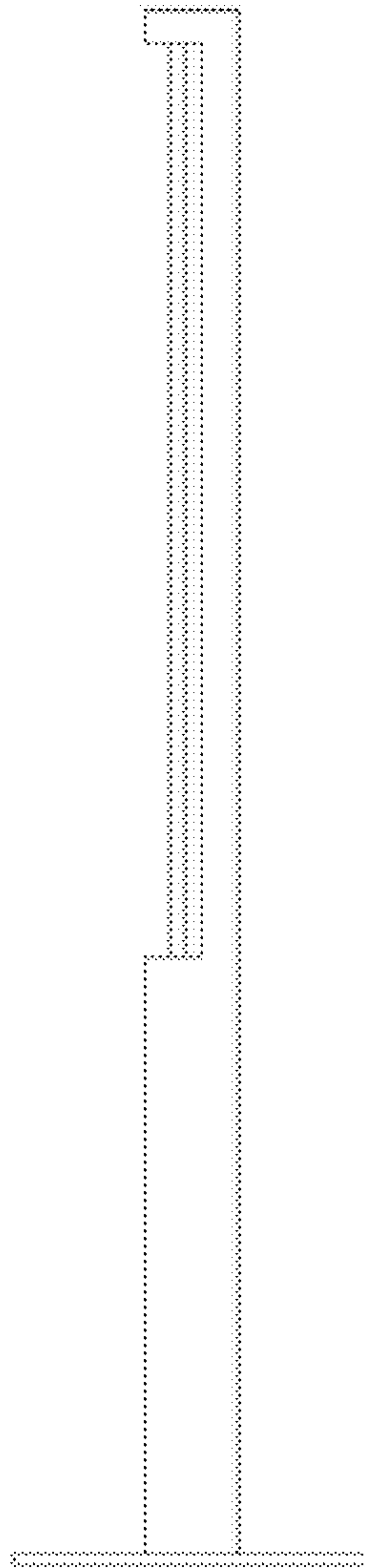


FIG. 6

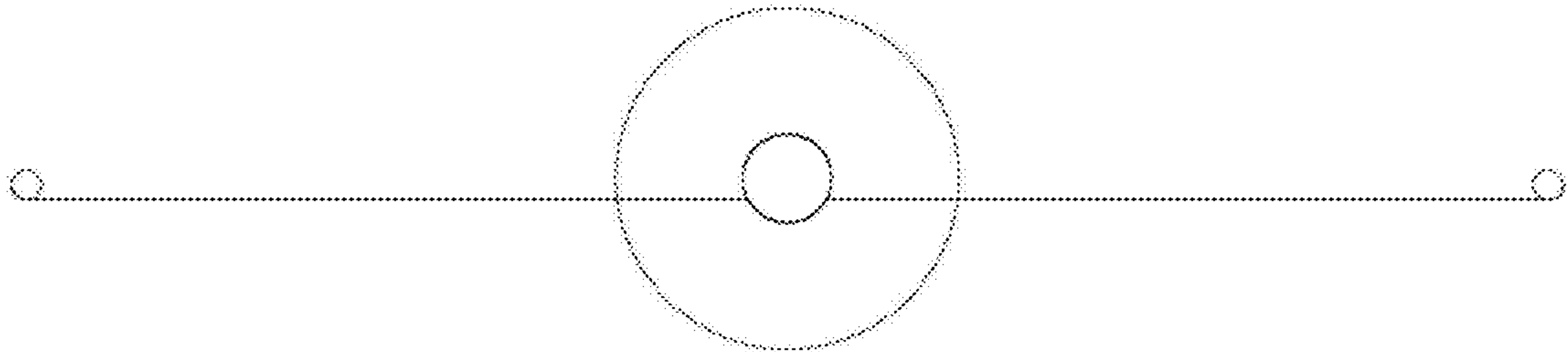


FIG. 7

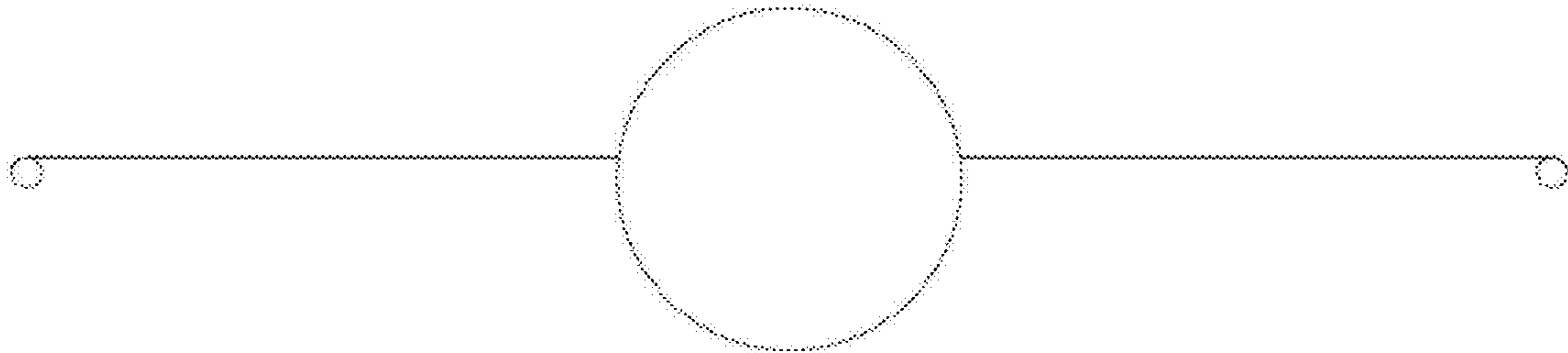


FIG. 8

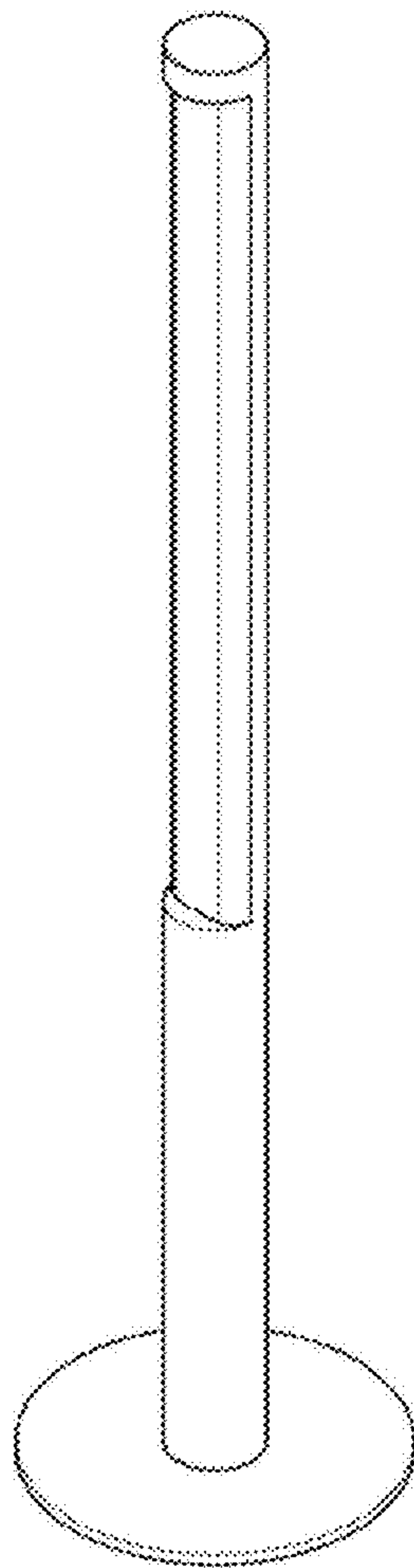


FIG. 9

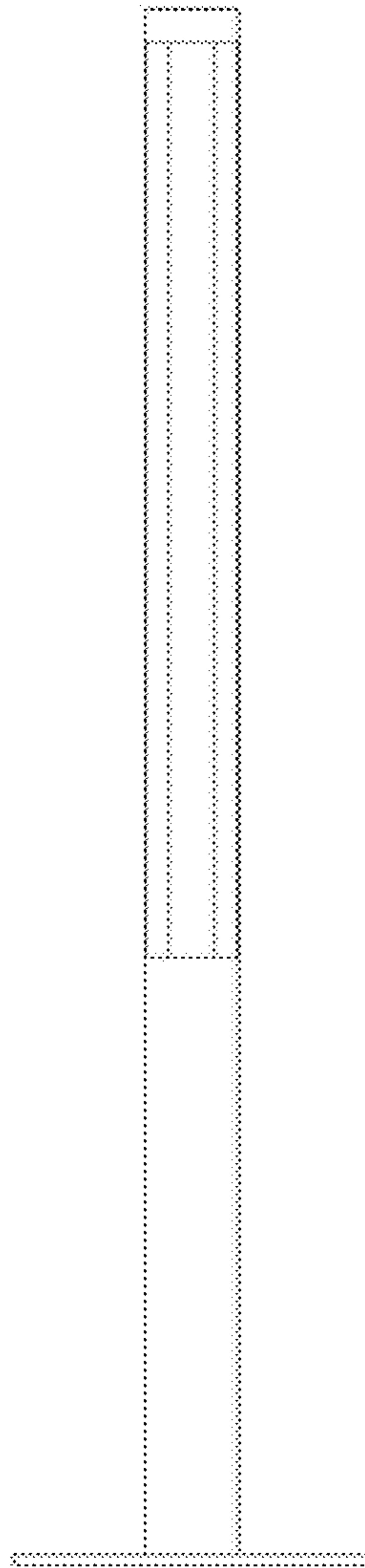


FIG. 10

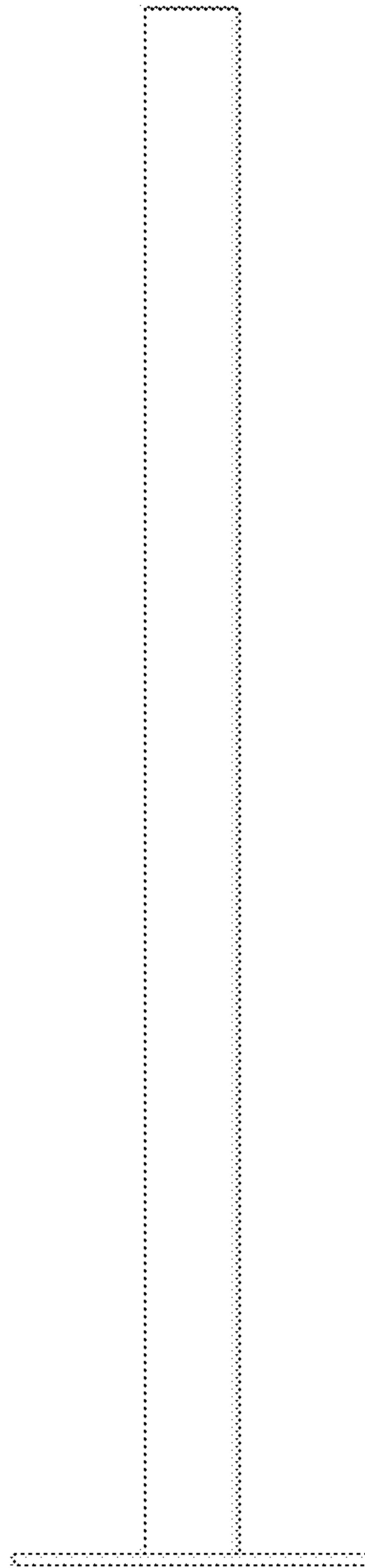


FIG. 11

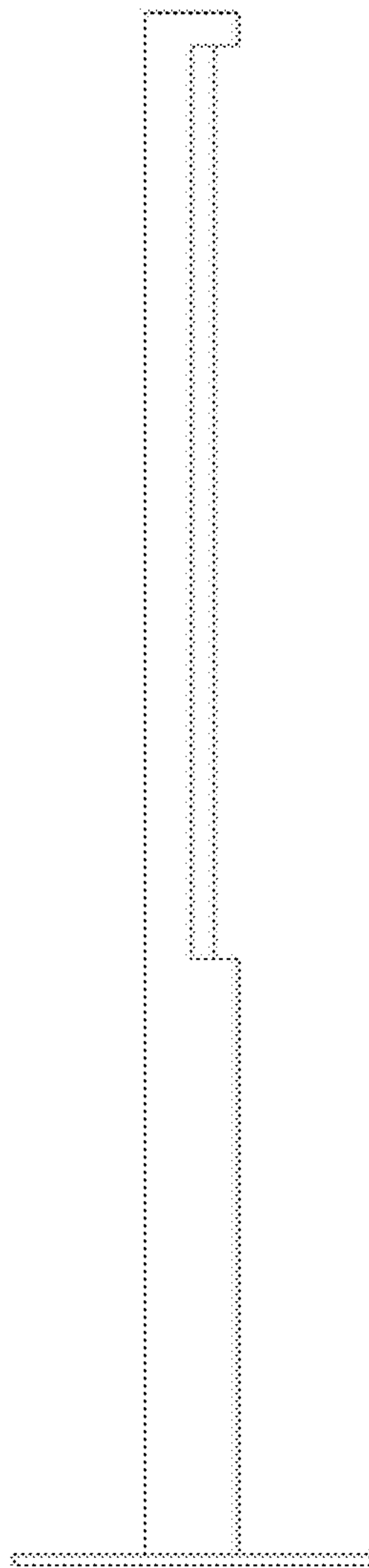


FIG. 12

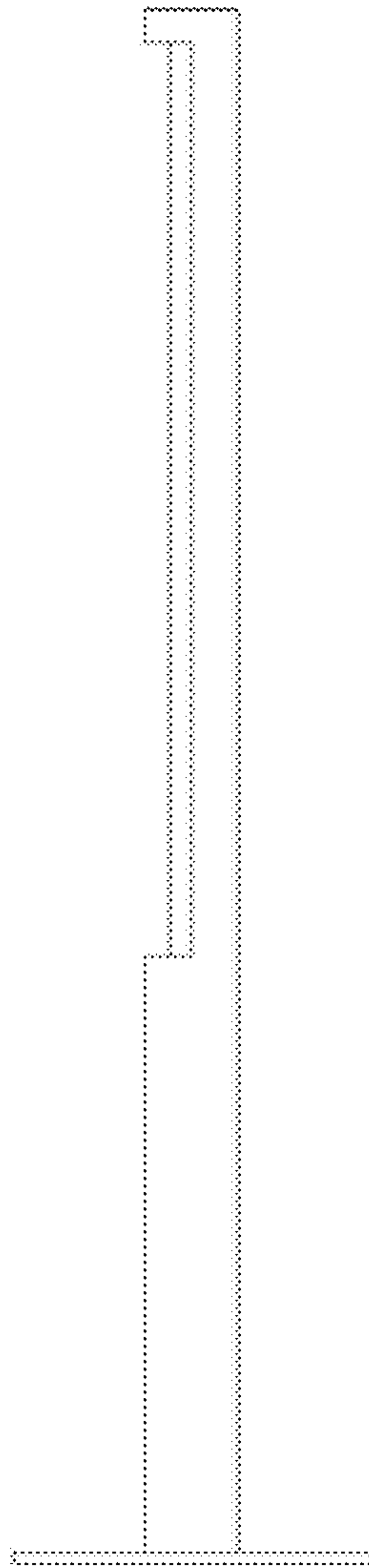


FIG. 13

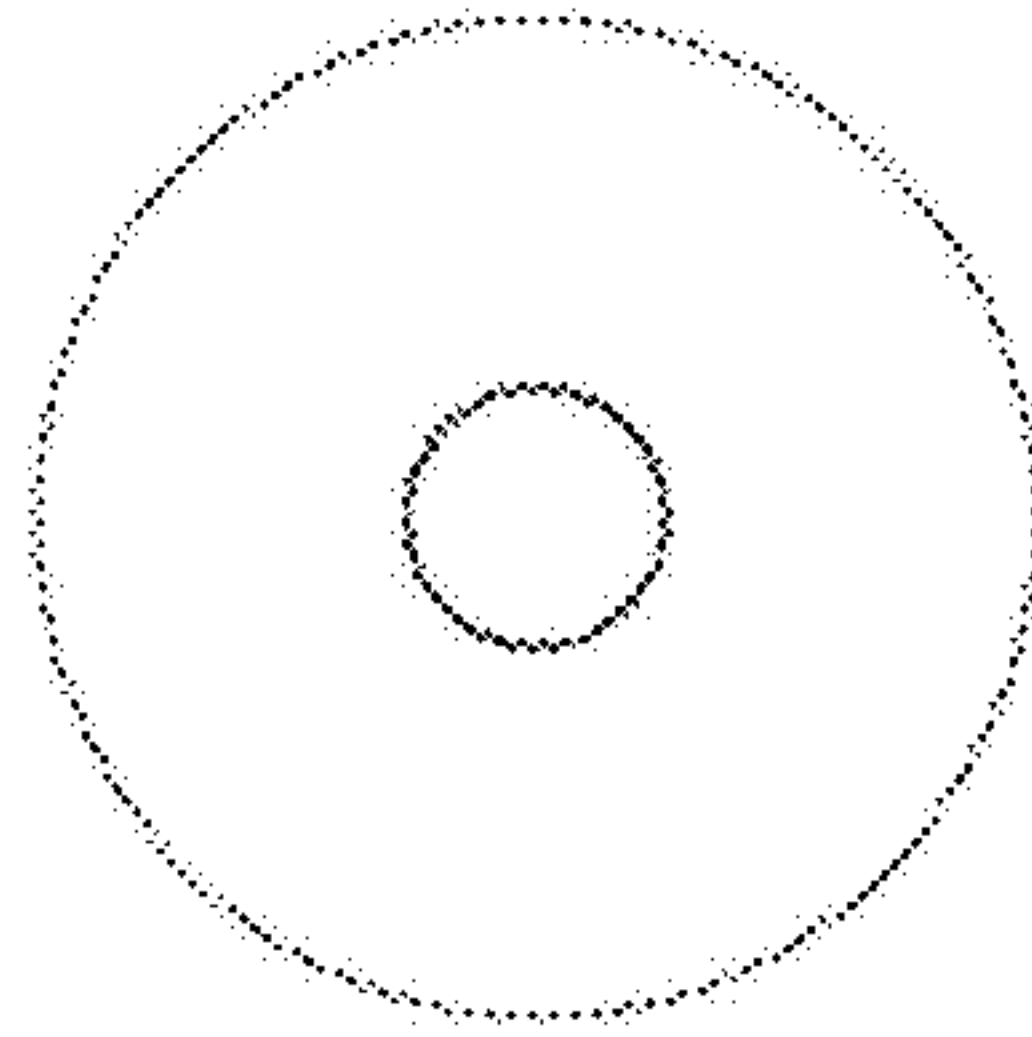


FIG. 14

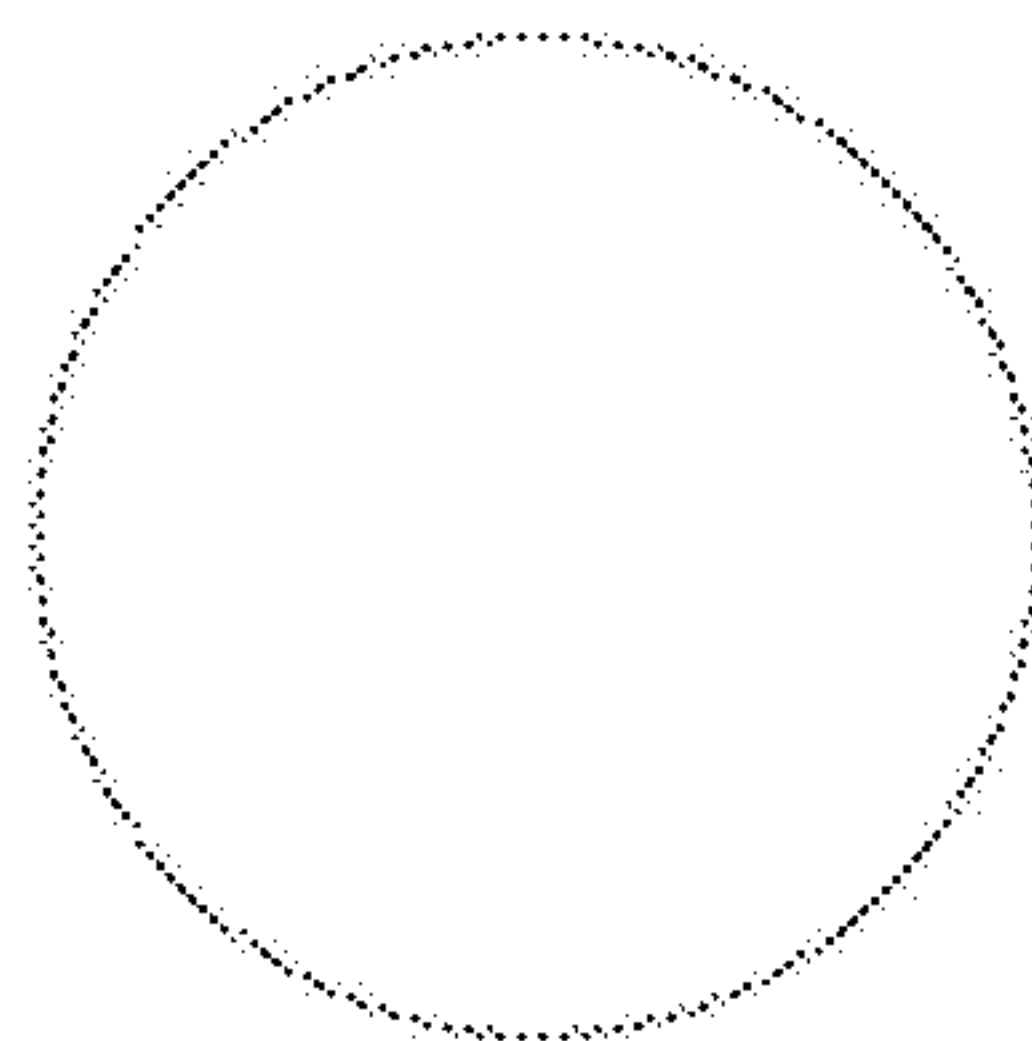


FIG. 15

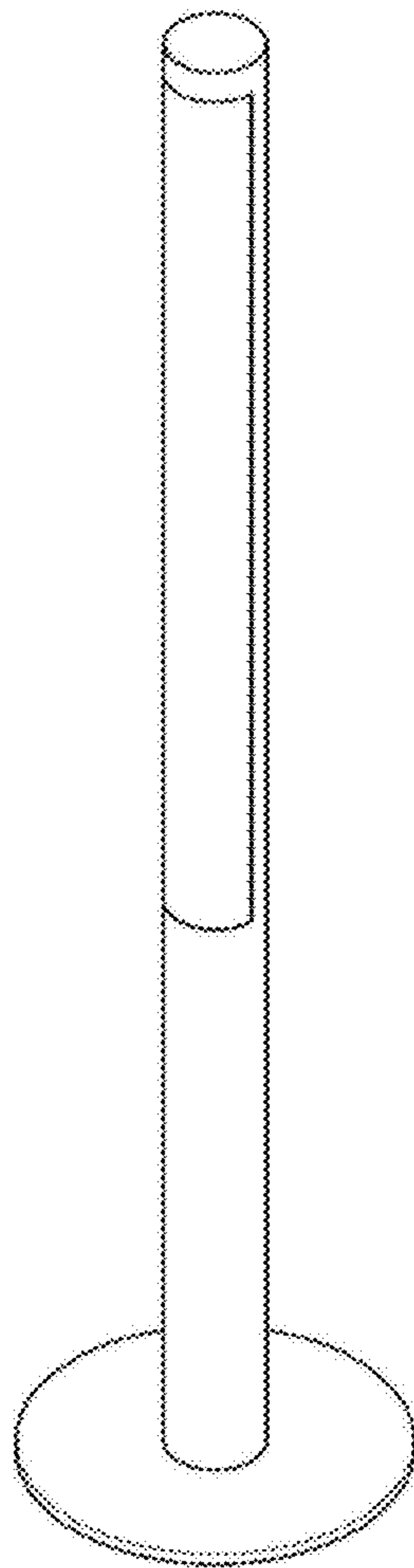


FIG. 16

