



US00D904988S

(12) **United States Design Patent**  
**Poppendörfer**

(10) **Patent No.:** **US D904,988 S**

(45) **Date of Patent:** **\*\* Dec. 15, 2020**

(54) **CIRCUIT BREAKER LOCK OUT DEVICE**

(71) Applicant: **Doepke Schaltgerate GmbH**, Norden (DE)

(72) Inventor: **Thomas Poppendörfer**, Vorra-Artelshofen (DE)

(73) Assignee: **DOEPKE SCHALTGERATE GMBH**, Norden (DE)

(\*\*) Term: **15 Years**

(21) Appl. No.: **29/671,696**

(22) Filed: **Nov. 29, 2018**

(51) **LOC (12) Cl.** ..... **13-03**

(52) **U.S. Cl.**  
USPC ..... **D13/178; D13/160**

(58) **Field of Classification Search**  
USPC ..... D13/107, 108, 110, 123, 133, 154,  
D13/158-160, 173, 177, 178, 184, 199  
CPC ..... B41J 29/387; B60R 22/00; B60R 22/48;  
H01H 3/16; H01H 9/00; H01H 9/20;  
H01H 9/226; H01H 9/28; H01H 9/282;  
H01H 9/283

See application file for complete search history.

(56) **References Cited**

**U.S. PATENT DOCUMENTS**

3,255,320	A *	6/1966	Norden	.....	H01H 9/282 200/43.15
3,384,722	A *	5/1968	Hanke	.....	H01H 9/226 200/50.1
3,792,404	A *	2/1974	Ettlinger	.....	H01H 71/1054 337/72
4,016,379	A *	4/1977	Merkle	.....	E05B 29/0006 200/43.11
4,085,599	A *	4/1978	Fischer	.....	E05B 67/383 70/14

(Continued)

Primary Examiner — Angela J Lee

Assistant Examiner — Shawn T Gingrich

(74) Attorney, Agent, or Firm — Myers Wolin, LLC

(57) **CLAIM**

The ornamental design for a circuit breaker lock out device, as shown and described.

**DESCRIPTION**

FIG. 1 is a perspective view of an embodiment of a circuit breaker lock out device in a first position showing my new design;

FIG. 2 is a cross-sectional perspective view thereof, taken along line 2-2 of FIG 1;

FIG. 3 is a front elevation view thereof;

FIG. 4 is a rear elevation view thereof;

FIG. 5 is a left side elevation view thereof;

FIG. 6 is a right side elevation view thereof;

FIG. 7 is a top view thereof;

FIG. 8 is a bottom view thereof;

FIG. 9 is a perspective view thereof in a second position;

FIG. 10 is a cross-sectional perspective view thereof, taken along line 10-10 of FIG 9;

FIG. 11 is a front elevation view thereof;

FIG. 12 is a rear elevation view thereof;

FIG. 13 is a left side elevation view thereof;

FIG. 14 is a right side elevation view thereof;

FIG. 15 is a top view thereof;

FIG. 16 is a bottom view thereof;

FIG. 17 is a perspective view of the locking mechanism, shown separately for illustrative clarity;

FIG. 18 is a front elevation view thereof, the rear elevation being a mirror image thereof;

FIG. 19 is a left side elevation view thereof;

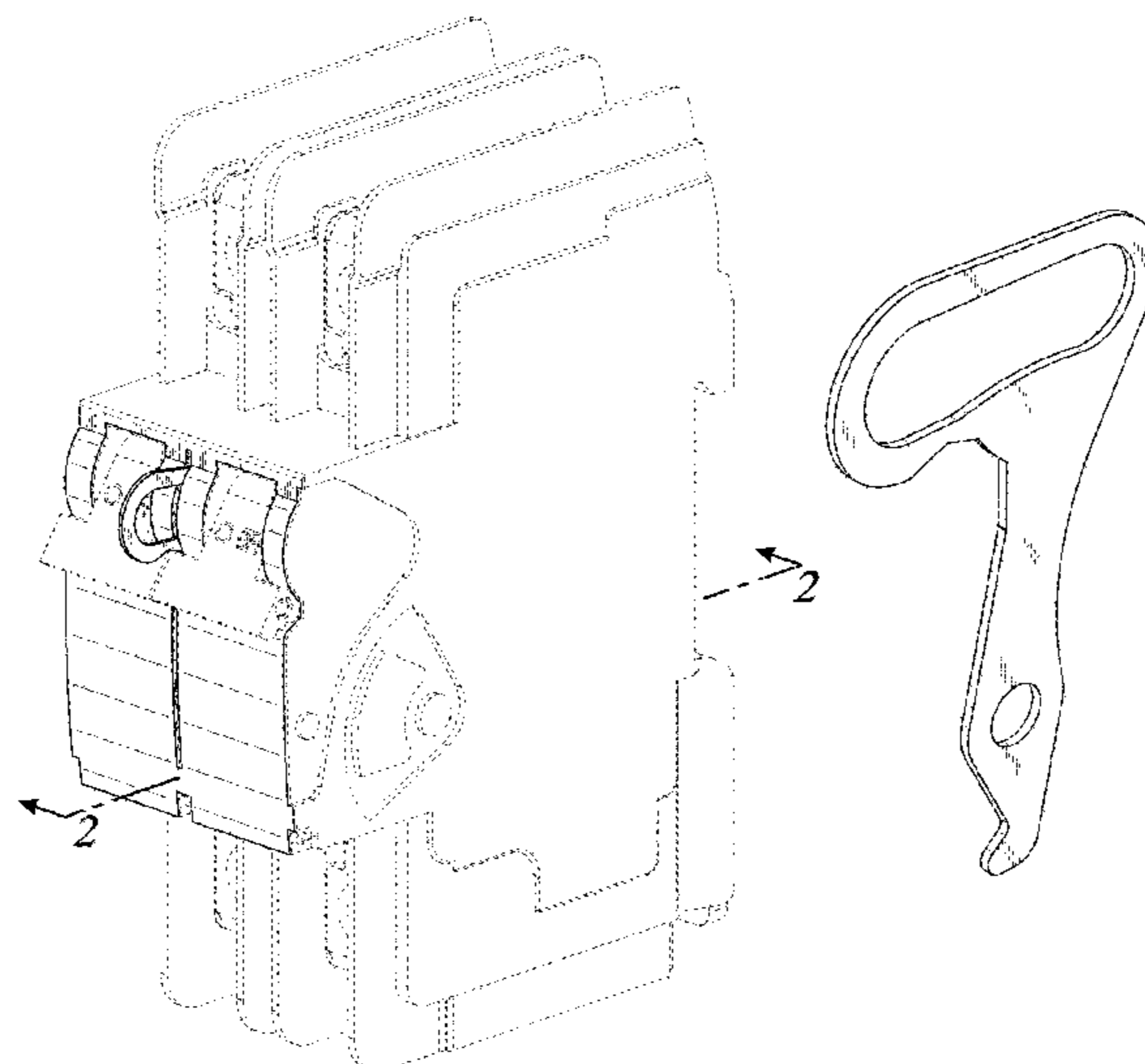
FIG. 20 is a right side elevation view thereof;

FIG. 21 is a top view thereof; and,

FIG. 22 is a bottom view thereof.

The broken line portion of the figure drawings is included to show portions of the circuit breaker lock out device that form no part of the claimed design.

**1 Claim, 15 Drawing Sheets**



(56)

## References Cited

## U.S. PATENT DOCUMENTS

D276,888 S \* 12/1984 Jaeger ..... D8/330  
4,882,456 A \* 11/1989 Hovanic ..... H01H 9/283  
200/43.15  
5,467,622 A \* 11/1995 Becker ..... E05B 13/002  
200/43.14  
5,477,016 A \* 12/1995 Baginski ..... H01H 9/282  
200/308  
5,817,998 A \* 10/1998 Siebels ..... H01H 9/283  
200/43.14  
5,817,999 A \* 10/1998 Mugan ..... H01H 9/283  
200/50.11  
5,909,019 A \* 6/1999 Maloney ..... H01H 9/282  
200/43.14  
5,916,282 A \* 6/1999 Elm ..... E05B 17/142  
70/423  
5,978,209 A \* 11/1999 Montague ..... H02B 1/056  
200/294  
5,986,225 A \* 11/1999 Castonguay ..... H01H 71/465  
200/308  
6,396,008 B1 \* 5/2002 Maloney ..... H01H 9/282  
200/43.14  
7,692,108 B1 \* 4/2010 Larranaga ..... H01H 9/283  
200/43.14  
8,748,759 B2 \* 6/2014 Howard ..... H01H 9/282  
200/43.14  
D765,607 S \* 9/2016 Stieger ..... D13/160  
2008/0073187 A1 \* 3/2008 Rezac ..... H01H 9/223  
200/43.14  
2008/0277250 A1 \* 11/2008 DeCook ..... H01H 9/283  
200/43.14  
2018/0078003 A1 \* 3/2018 Anderlini ..... A44B 11/2542

\* cited by examiner

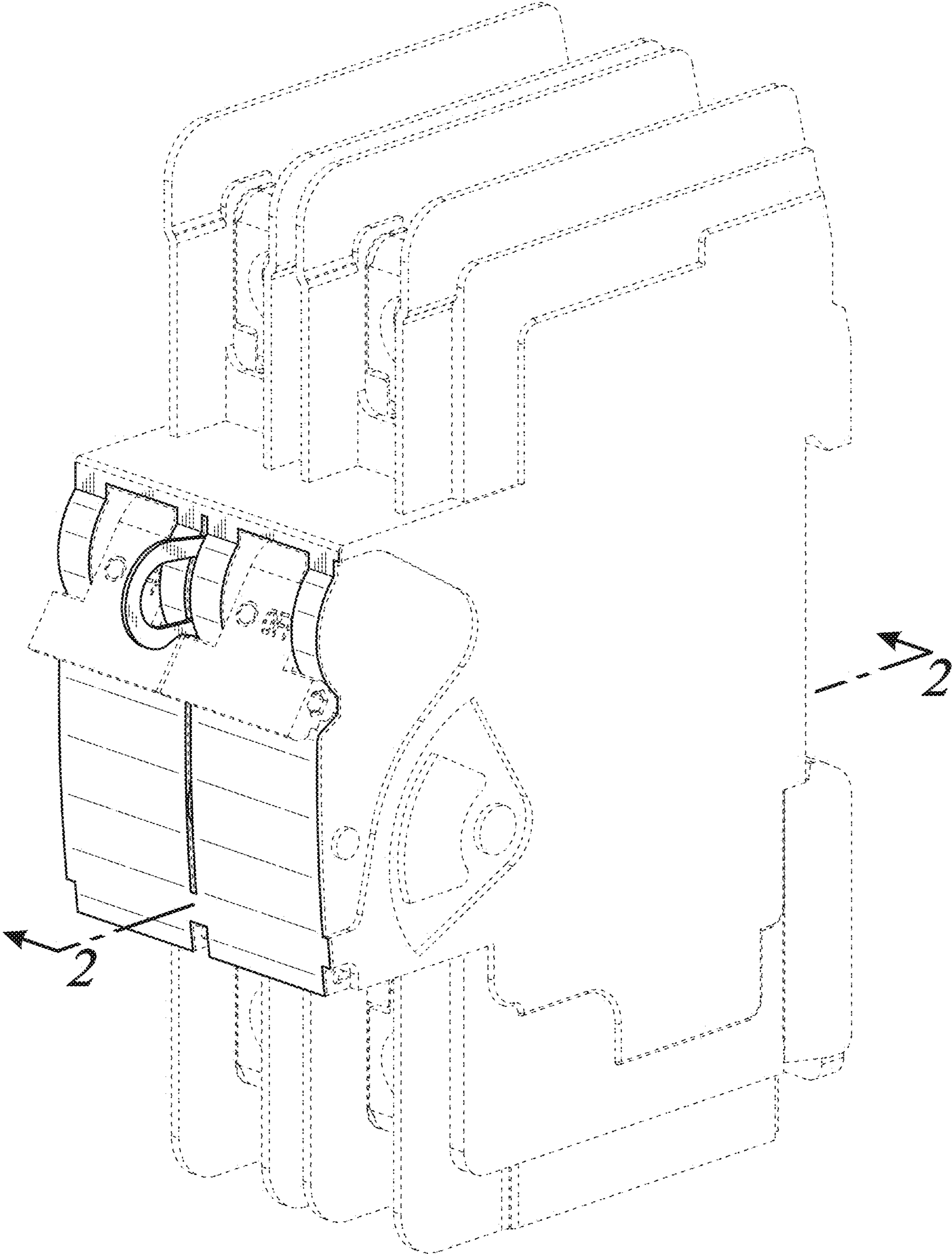
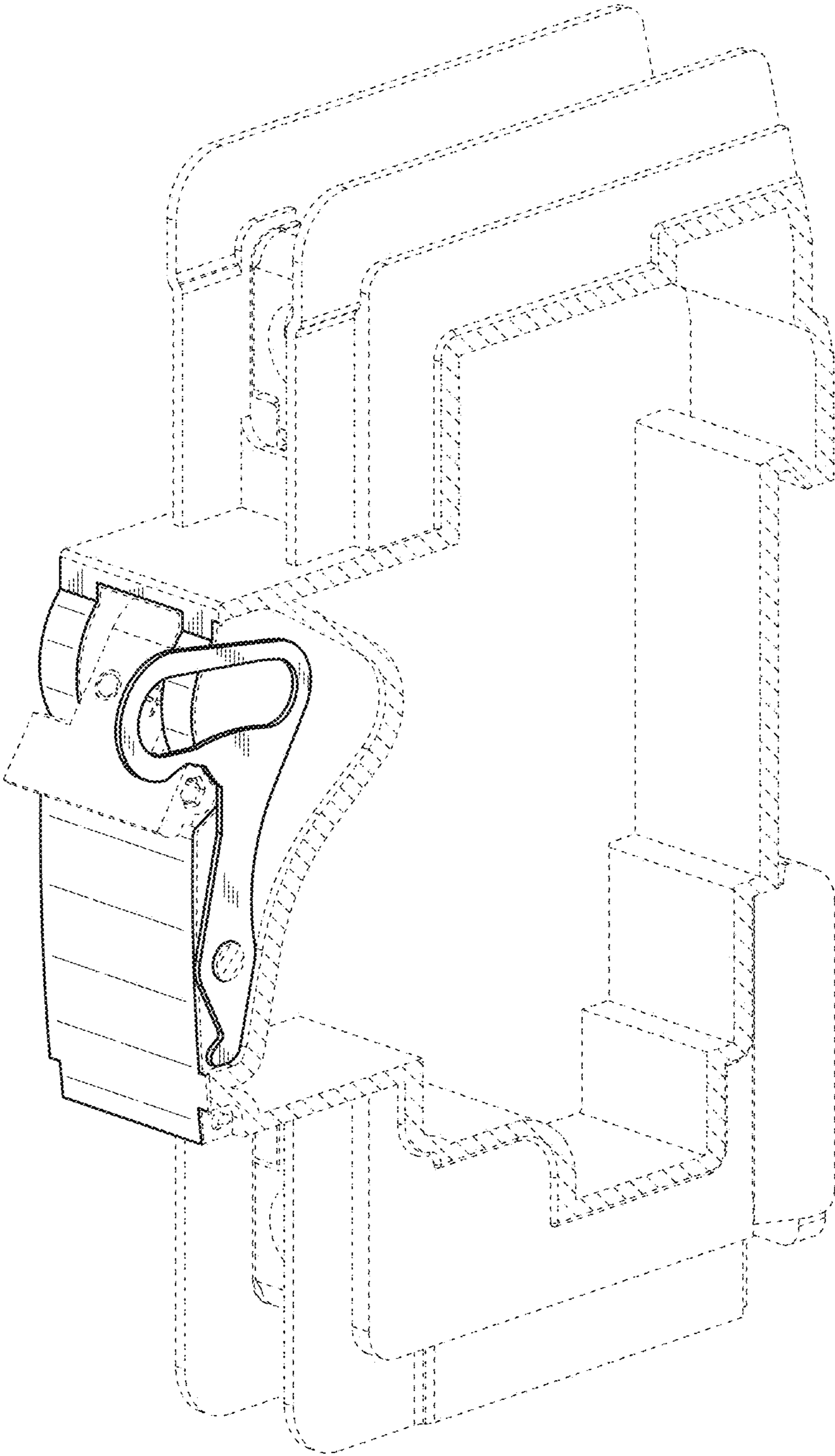
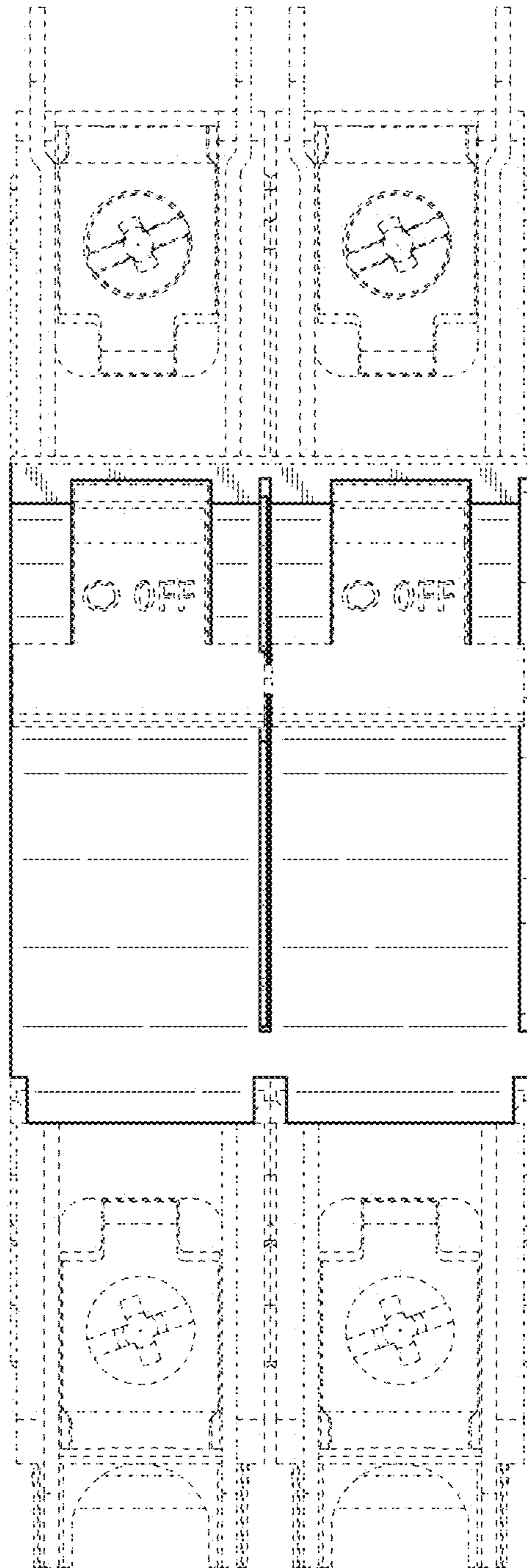


FIG. 1



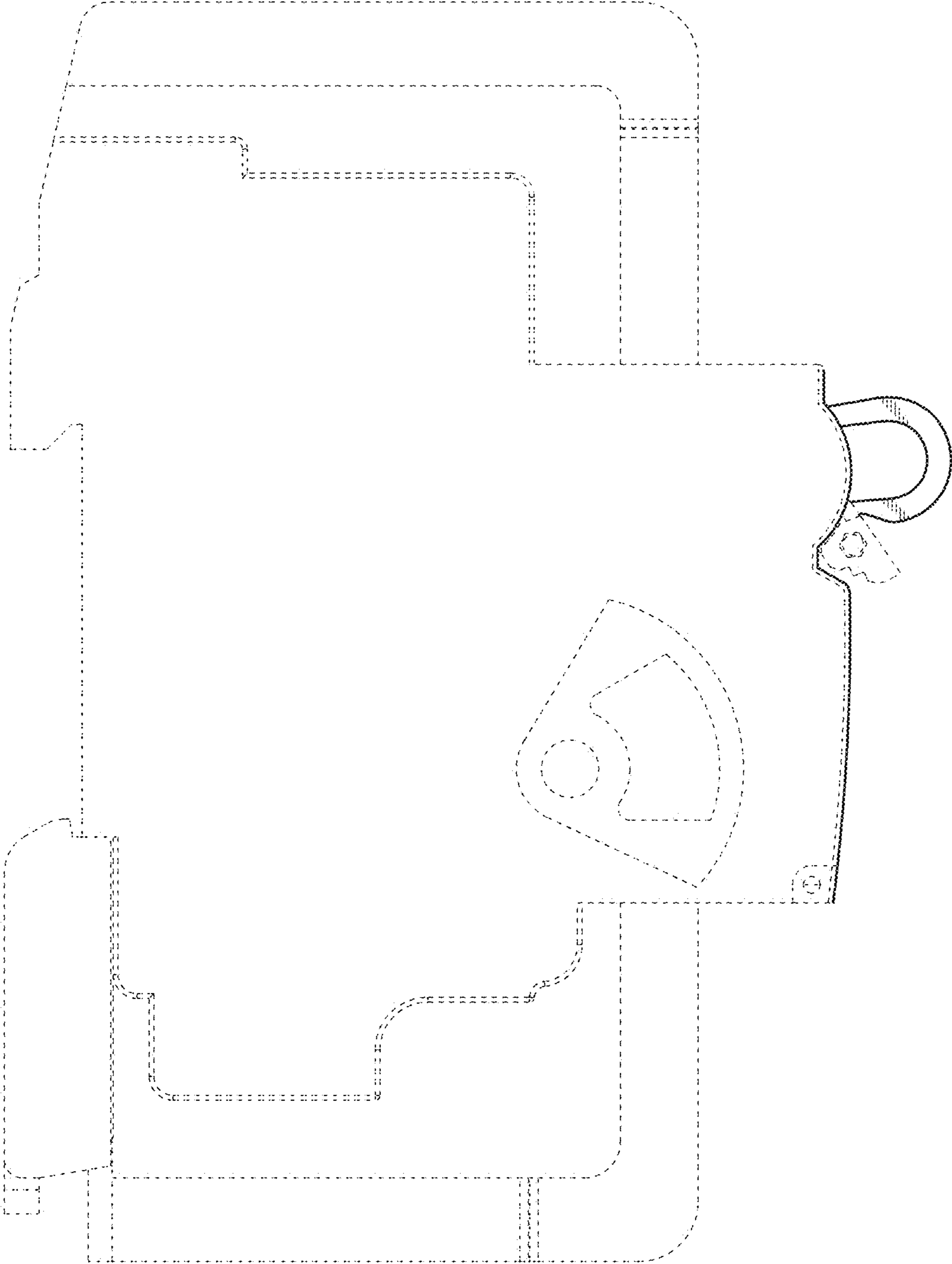
*FIG. 2*



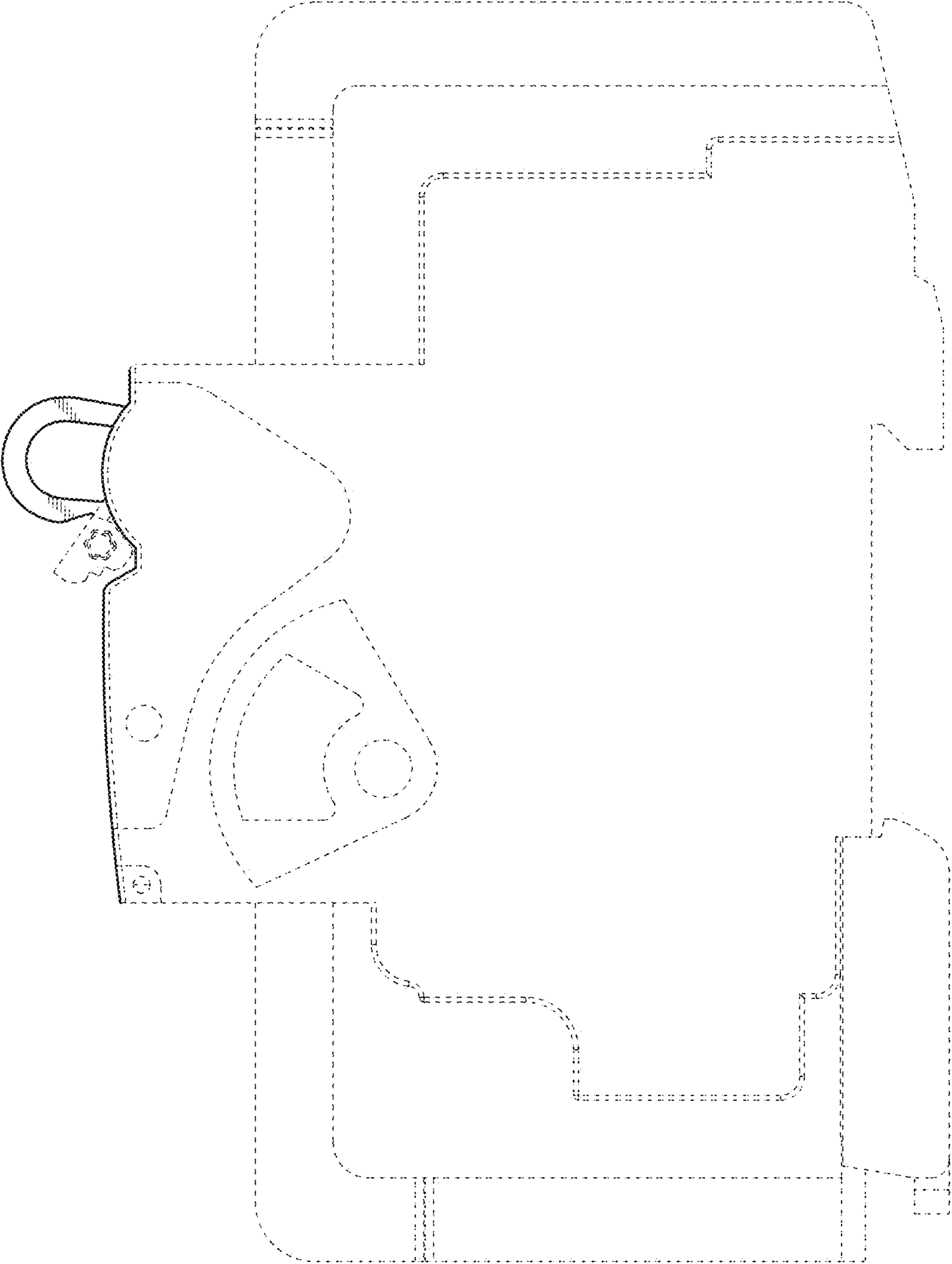
*FIG. 3*



*FIG. 4*

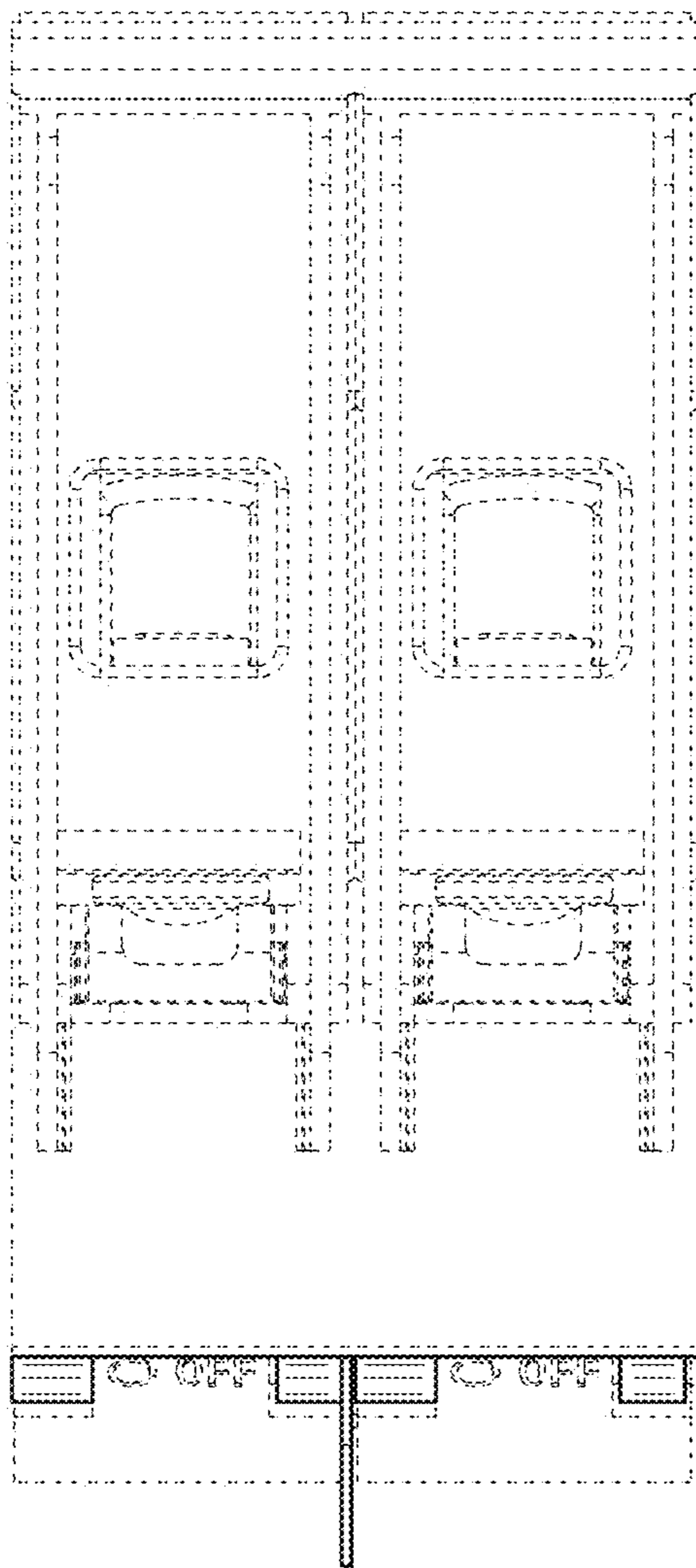


*FIG. 5*

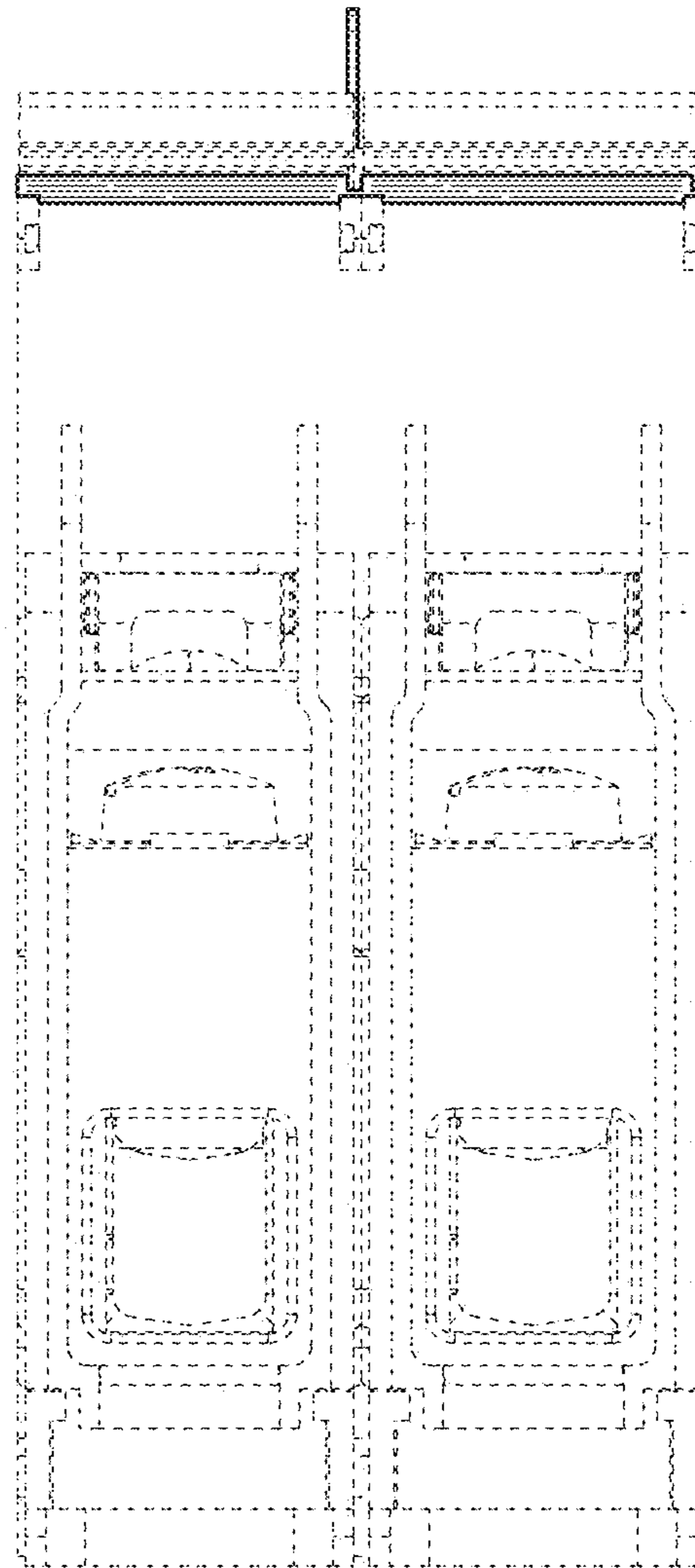


*FIG. 6*





*FIG. 7*



*FIG. 8*

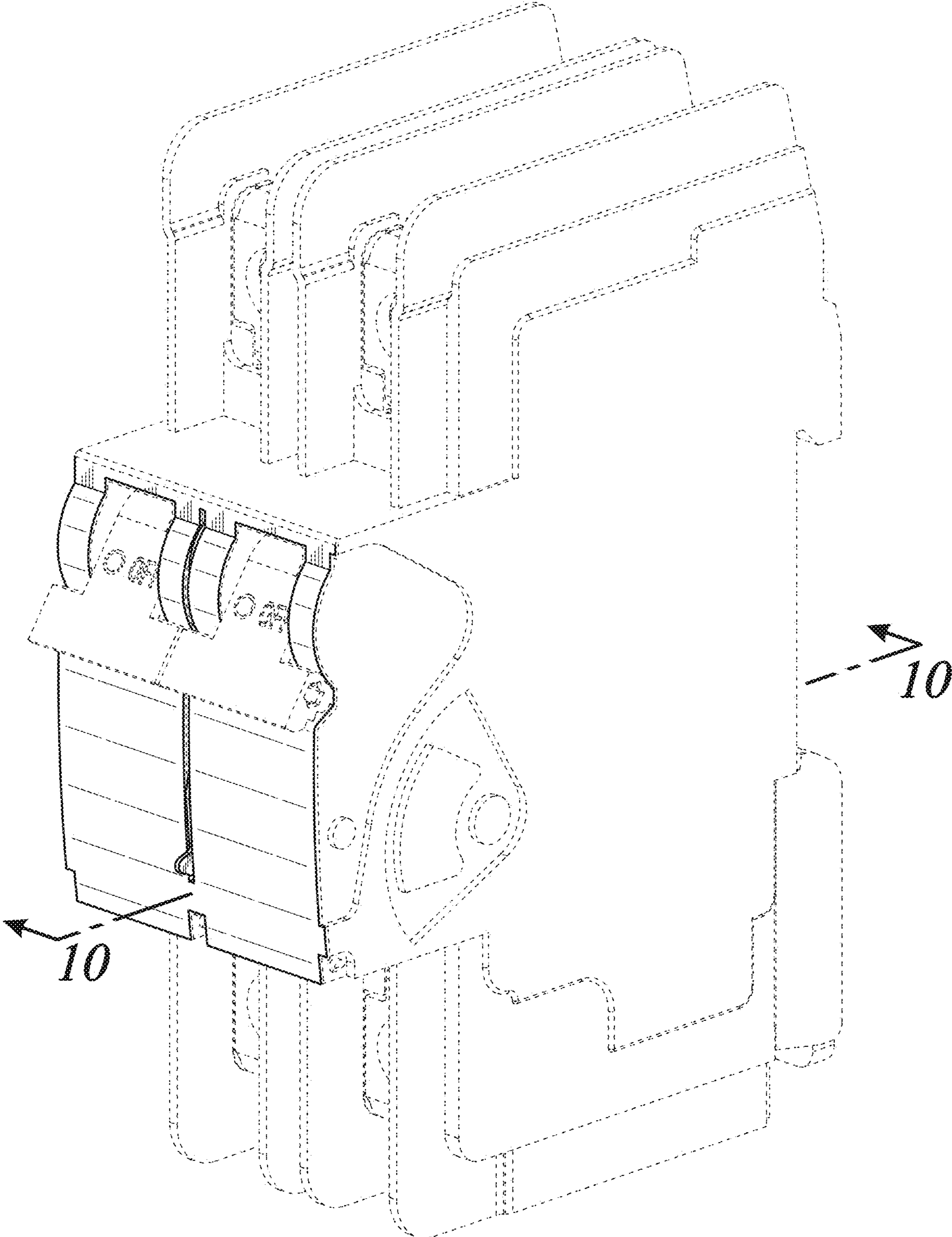
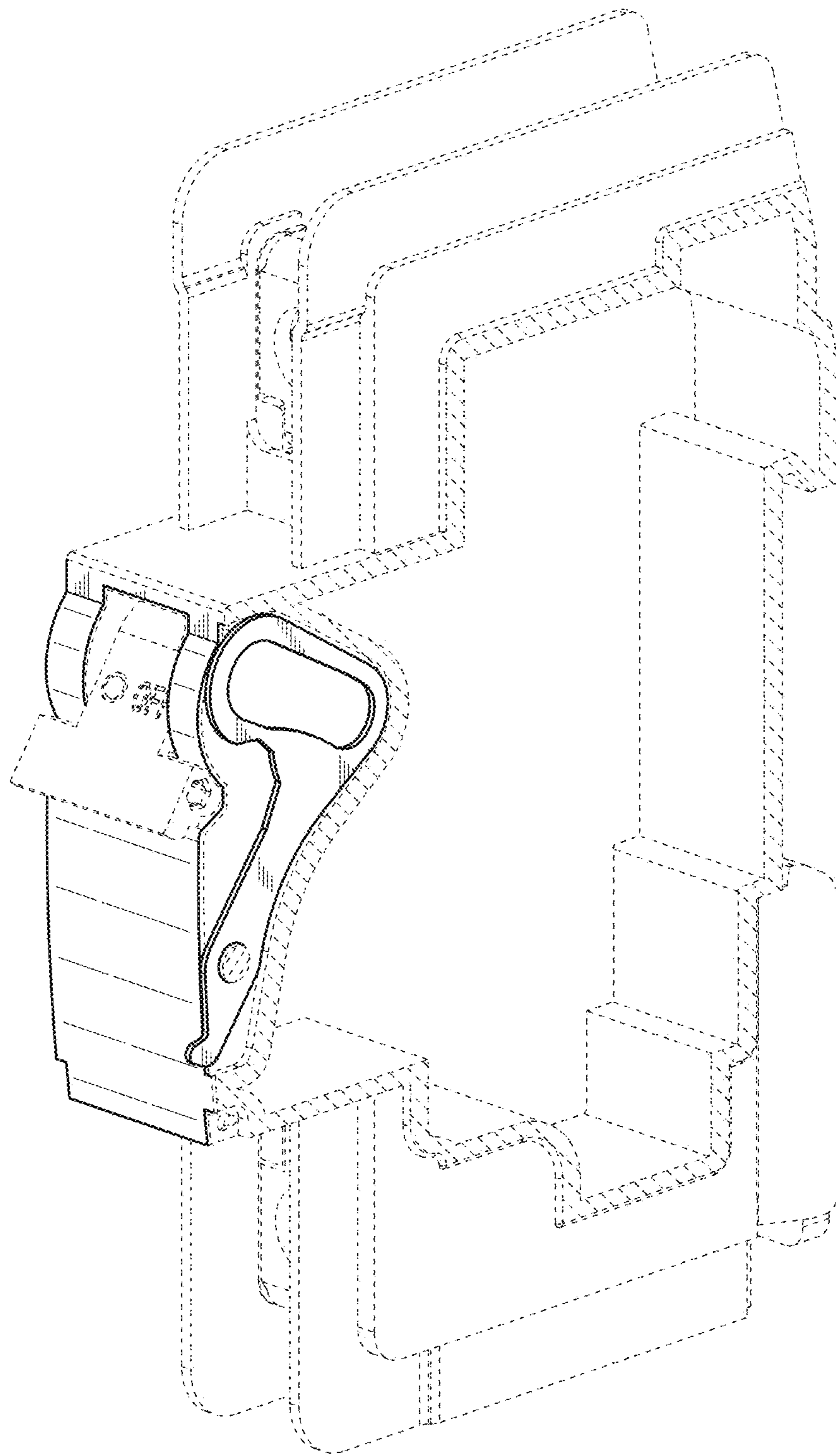
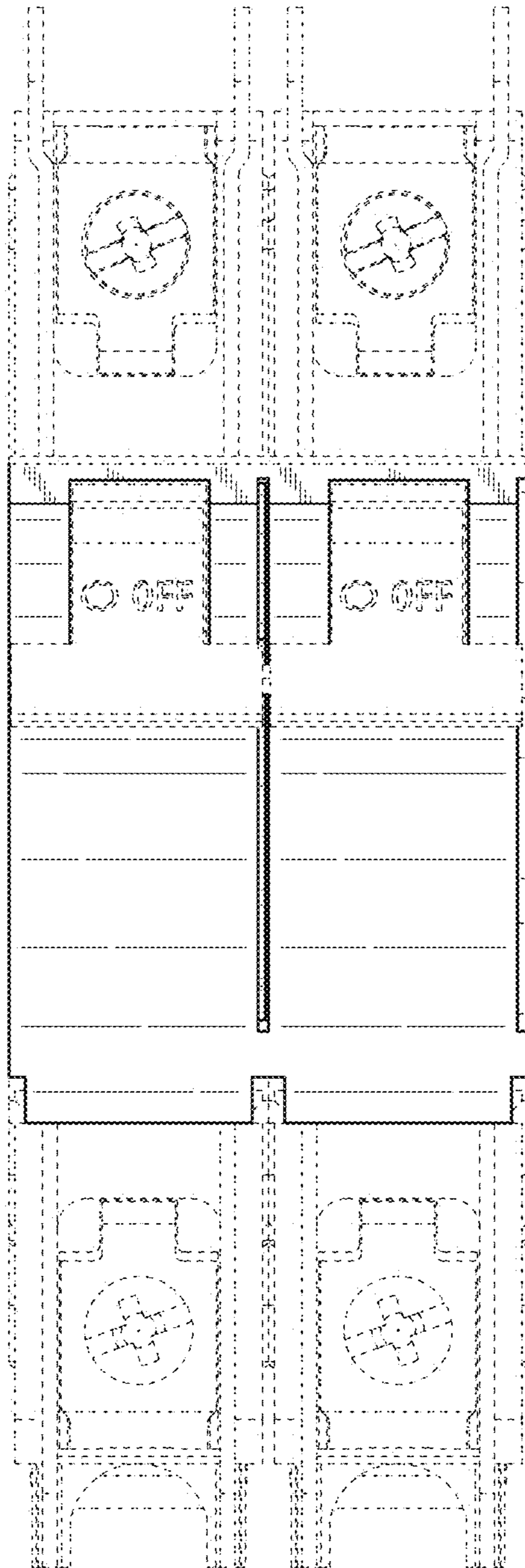


FIG. 9



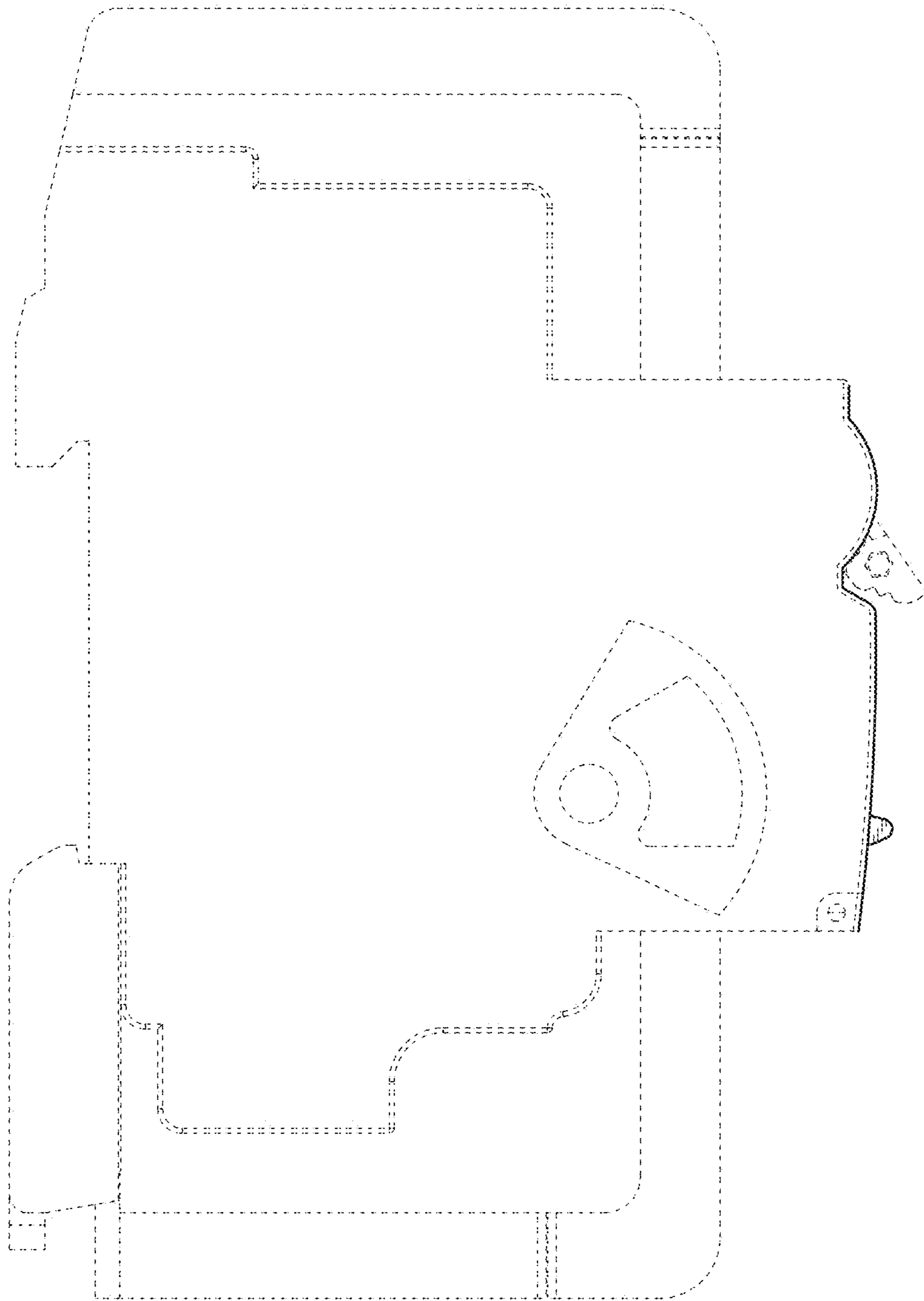
**FIG. 10**



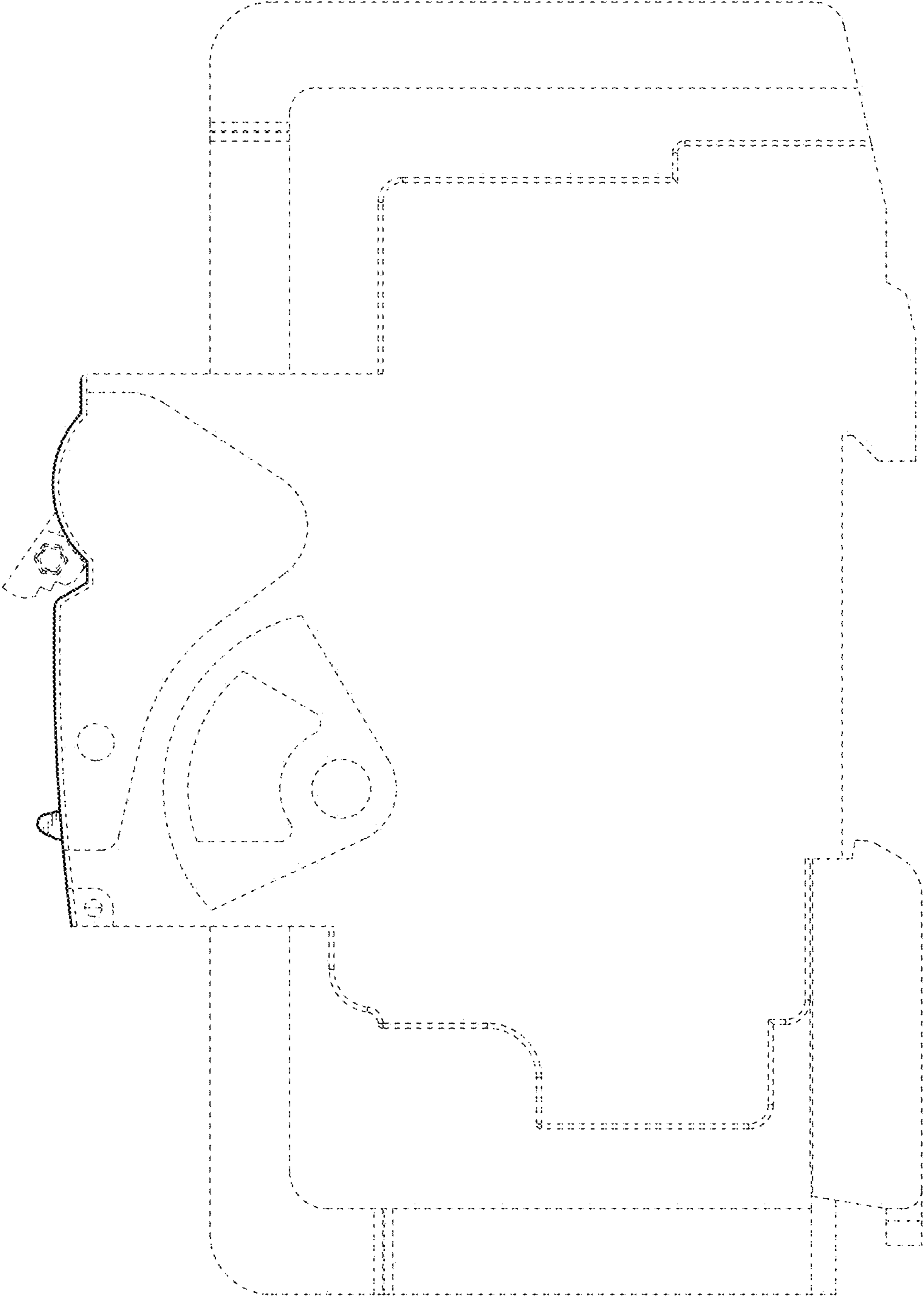
*FIG. 11*



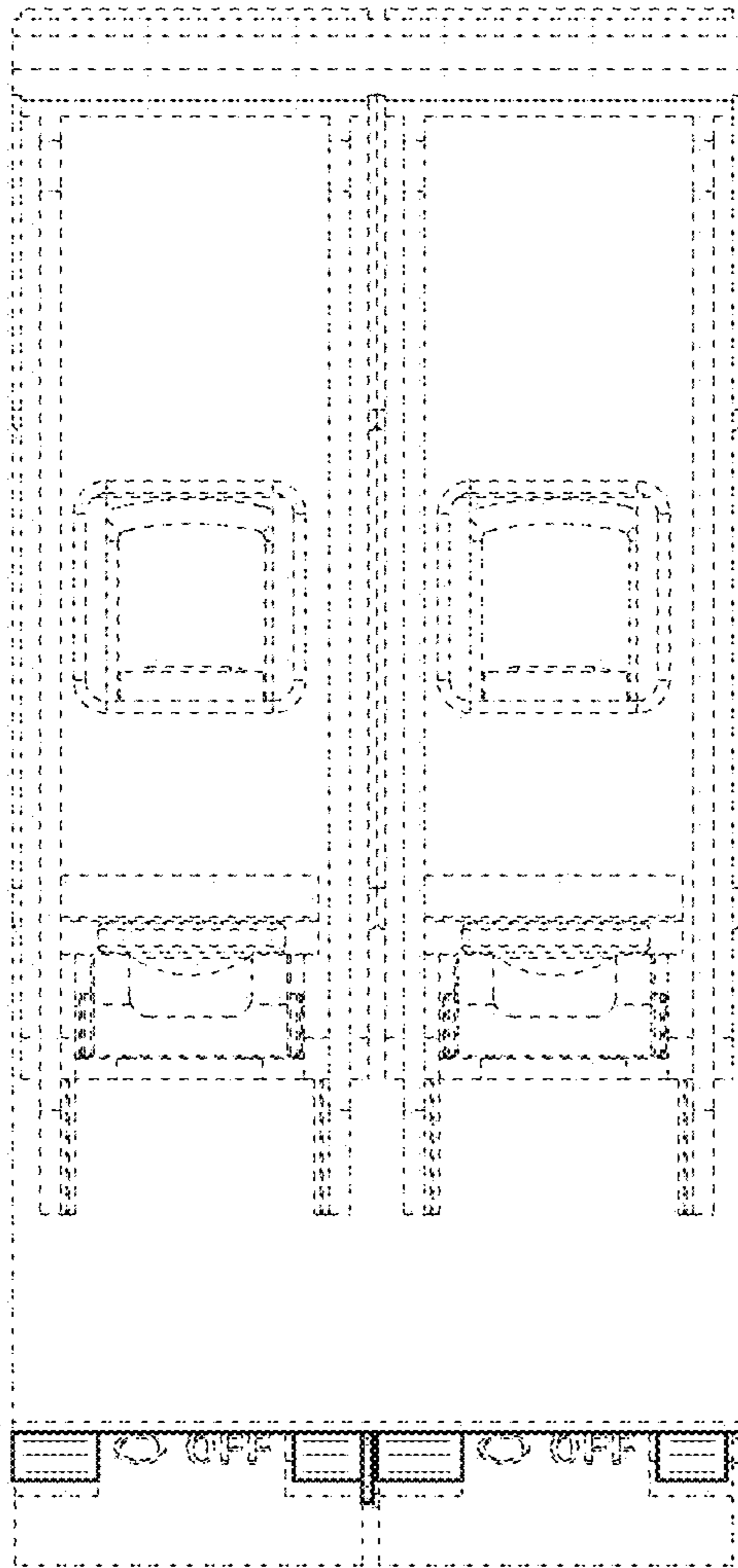
*FIG. 12*



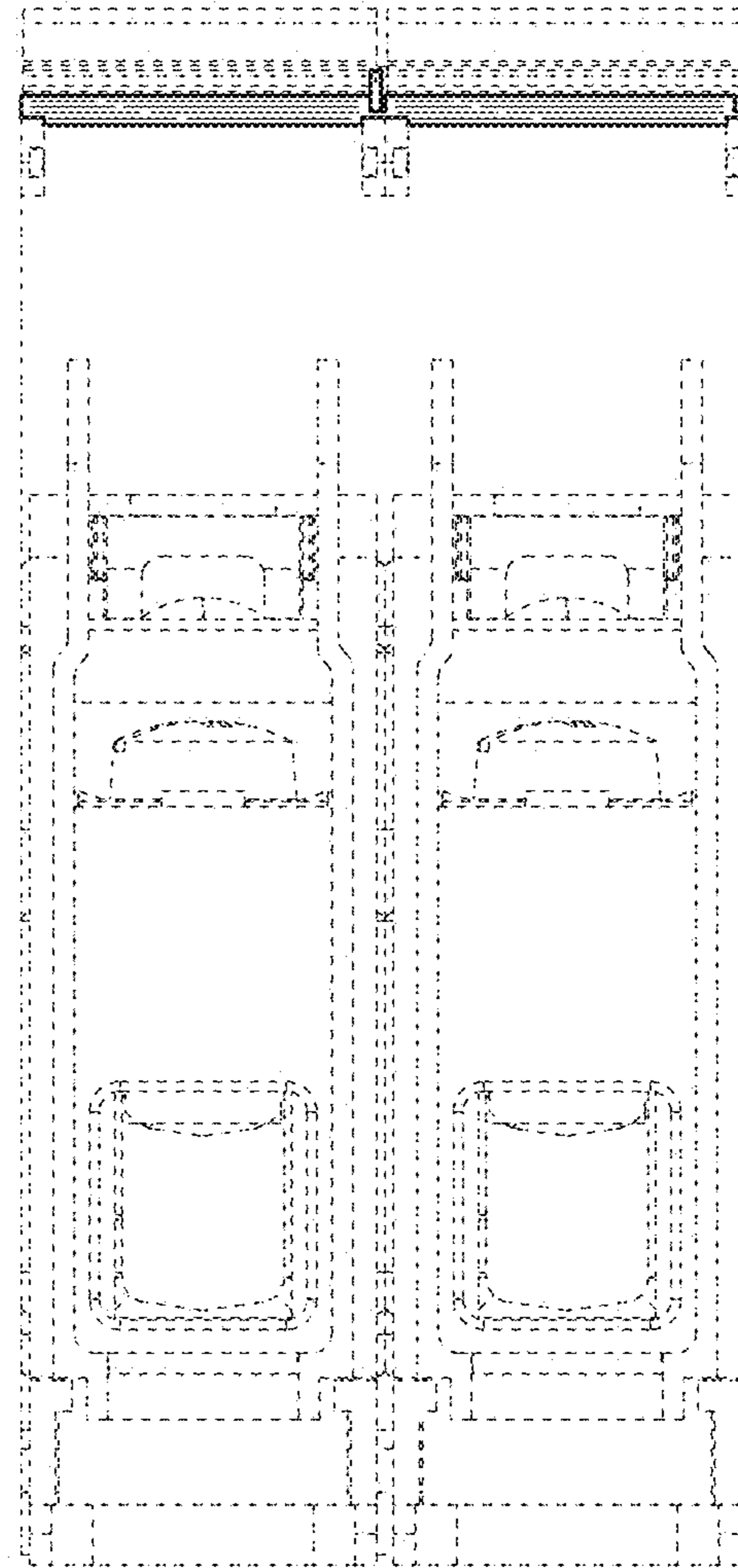
*FIG. 13*



*FIG. 14*

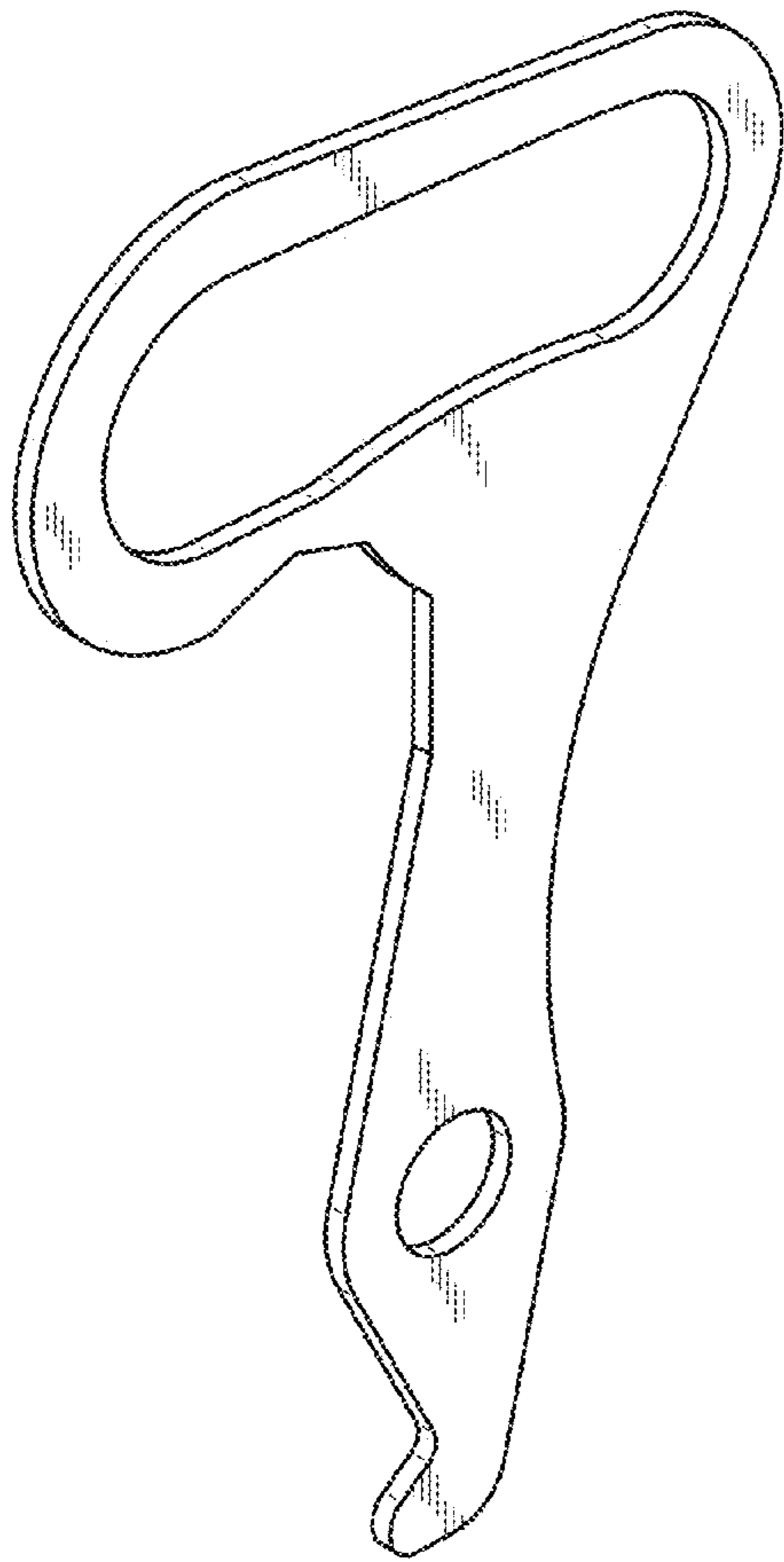


*FIG. 15*

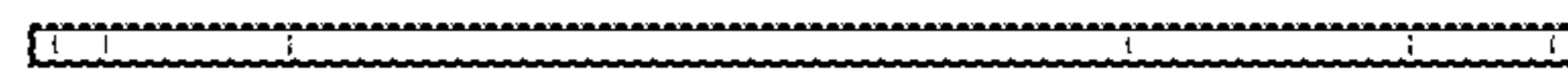


*FIG. 16*





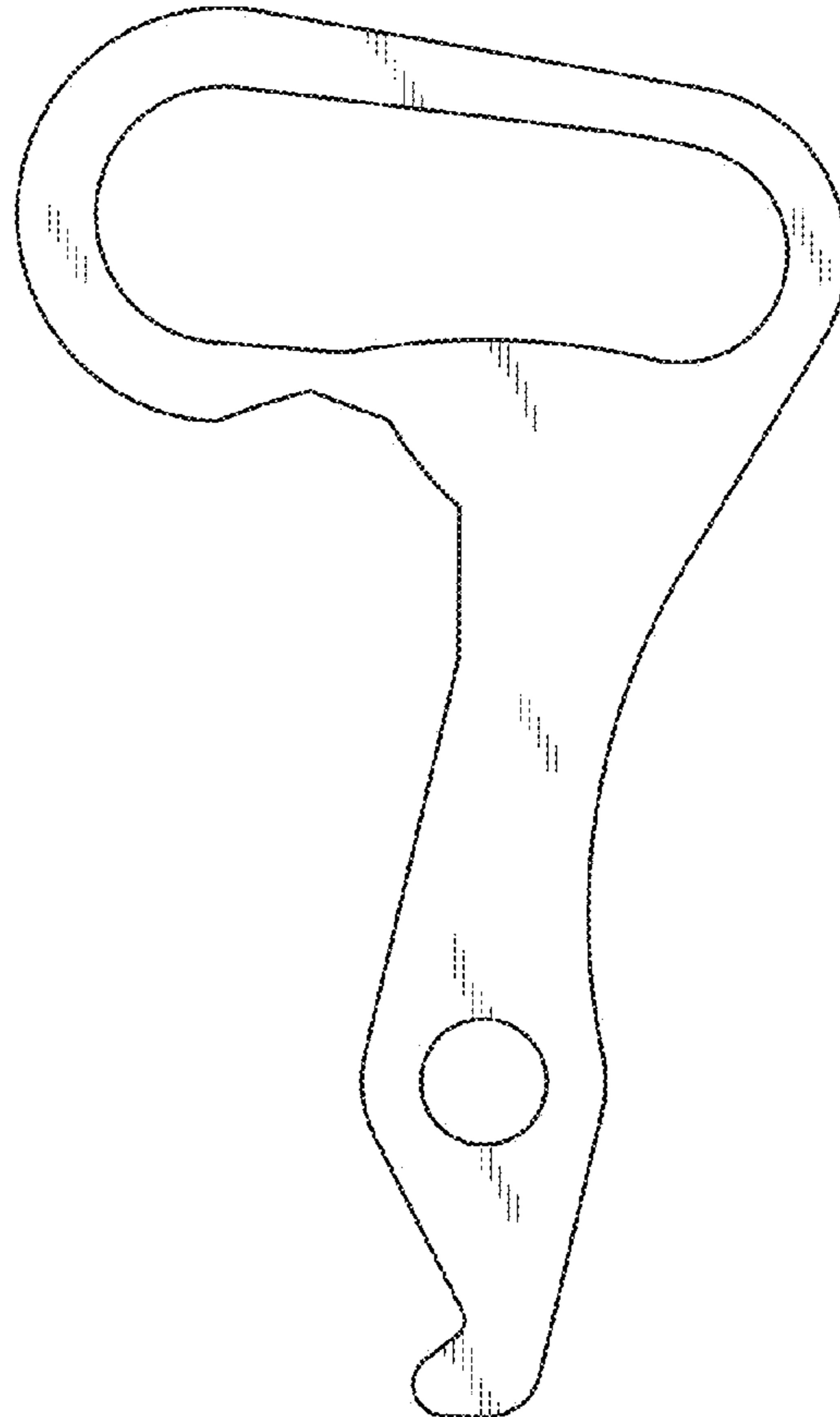
*FIG. 17*



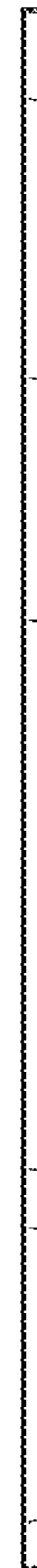
*FIG. 21*



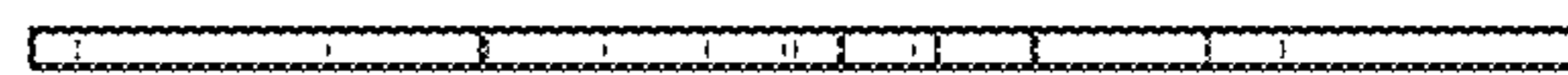
*FIG. 19*



*FIG. 18*



*FIG. 20*



*FIG. 22*