



US00D904985S

(12) **United States Design Patent**
Spiegel et al.

(10) **Patent No.:** **US D904,985 S**

(45) **Date of Patent:** **** Dec. 15, 2020**

(54) **ELECTRONIC CABLE**

(71) Applicants: **Evan Spiegel**, Santa Monica, CA (US);
Mathias Andreas Hintermann, Playa Vista, CA (US); **Tanatip Arunanondchai**, Santa Monica, CA (US); **Lauryn Morris**, Culver City, CA (US)

(72) Inventors: **Evan Spiegel**, Santa Monica, CA (US);
Mathias Andreas Hintermann, Playa Vista, CA (US); **Tanatip Arunanondchai**, Santa Monica, CA (US); **Lauryn Morris**, Culver City, CA (US)

(73) Assignee: **Snap Inc.**, Santa Monica, CA (US)

(**) Term: **15 Years**

(21) Appl. No.: **29/674,957**

(22) Filed: **Dec. 27, 2018**

(51) **LOC (12) Cl.** **13-03**

(52) **U.S. Cl.**
USPC **D13/153**

(58) **Field of Classification Search**
USPC D13/153, 147, 108, 154, 133; D14/433, D14/435.1
CPC H01R 13/7175
See application file for complete search history.

(56) **References Cited**

U.S. PATENT DOCUMENTS

D416,542 S *	11/1999	Tsai	D13/147
D442,553 S *	5/2001	Urban	D13/147
D548,700 S *	8/2007	Ledbetter	D13/147
D553,567 S *	10/2007	Kawanobe	D13/133
D588,545 S *	3/2009	Andre	D13/147
D600,652 S *	9/2009	Hong	D13/154
D636,337 S *	4/2011	Smith	D13/147

D673,908 S *	1/2013	Koch	D13/108
D680,076 S *	4/2013	McManigal	D13/147
D692,390 S *	10/2013	Smith	D13/153
D694,190 S *	11/2013	Wincek	D13/147
D705,174 S *	5/2014	Wong	D13/147
D705,175 S *	5/2014	Chu	D13/147
D783,620 S *	4/2017	Uggla	D14/435.1
9,660,396 B2 *	5/2017	Chen	H01R 13/7175
D795,817 S *	8/2017	Zheng	D13/153
D800,731 S *	10/2017	He	D14/433
D810,748 S *	2/2018	Zhang	D14/433
D810,749 S *	2/2018	Zhang	D14/433
D818,439 S	5/2018	Kim et al.	
D824,388 S *	7/2018	Fawcett	D14/433
D851,047 S *	6/2019	Zhang	D13/153
D854,016 S *	7/2019	Laine	D14/433
D858,456 S *	9/2019	Hanover	D13/153

(Continued)

Primary Examiner — Rhea Shields

(74) *Attorney, Agent, or Firm* — Culhane Meadows PLLC; Stephen J. Weed

(57) **CLAIM**

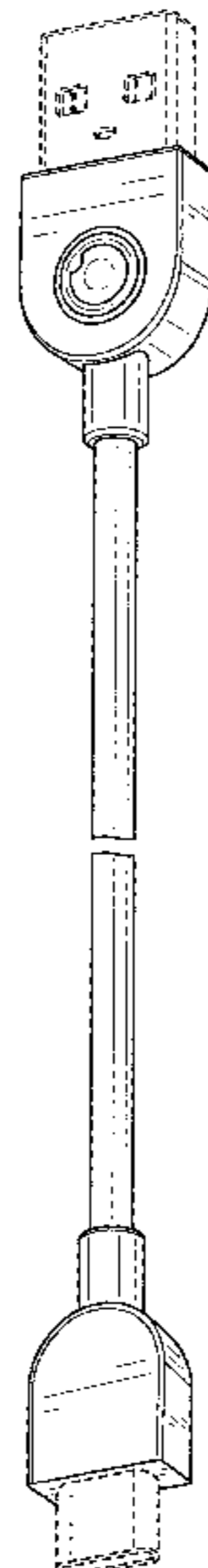
The ornamental design for an electronic cable, as shown and described.

DESCRIPTION

FIG. 1 is a front perspective view of an electronic cable; FIG. 2 is a front view thereof; FIG. 3 is a rear view thereof; FIG. 4 is a left side view thereof; FIG. 5 is a right side view thereof; FIG. 6 is a top view thereof; and, FIG. 7 is a bottom view thereof.

The electronic cable is shown with a symbolic break in its length. The appearance of any portion of the article beyond the break line forms no part of the claimed design. Throughout the drawings, the broken lines in the drawings represent portions of the electronic cable that form no part of the claimed design.

1 Claim, 5 Drawing Sheets



(56)

References Cited

U.S. PATENT DOCUMENTS

D864,121 S * 10/2019 Liu D13/153
D864,963 S * 10/2019 Luo D14/433
D882,524 S * 4/2020 Rong D13/153

* cited by examiner

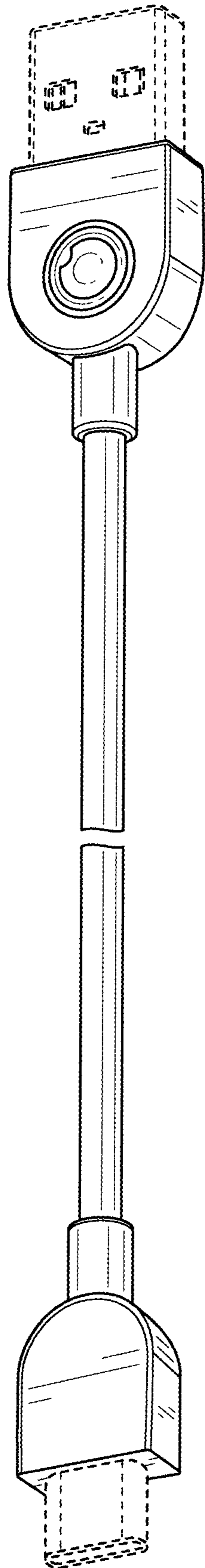


FIG. 1

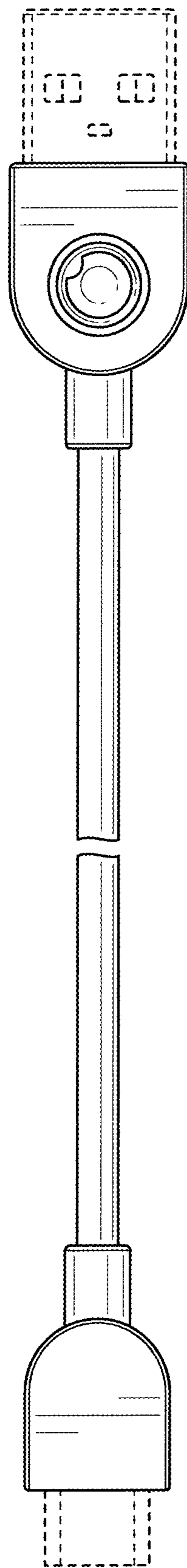


FIG. 2

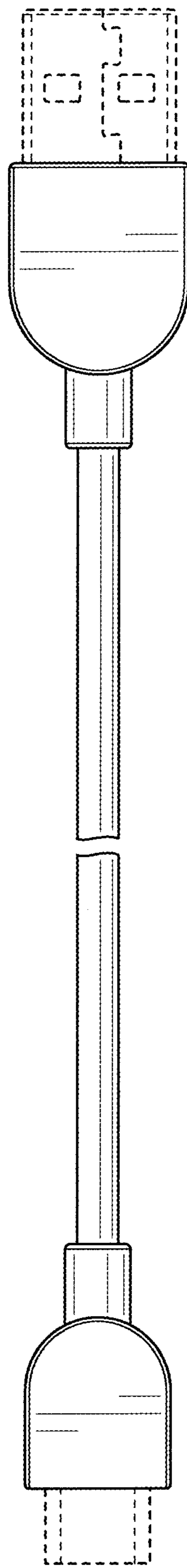


FIG. 3

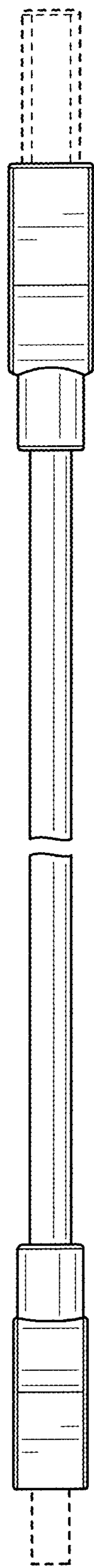


FIG. 4

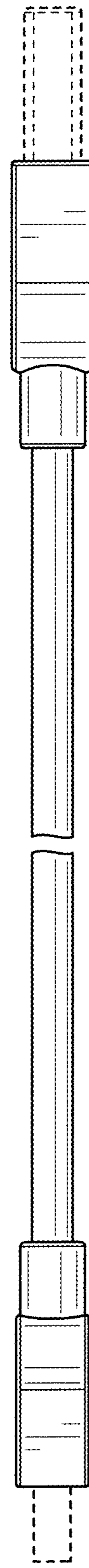


FIG. 5

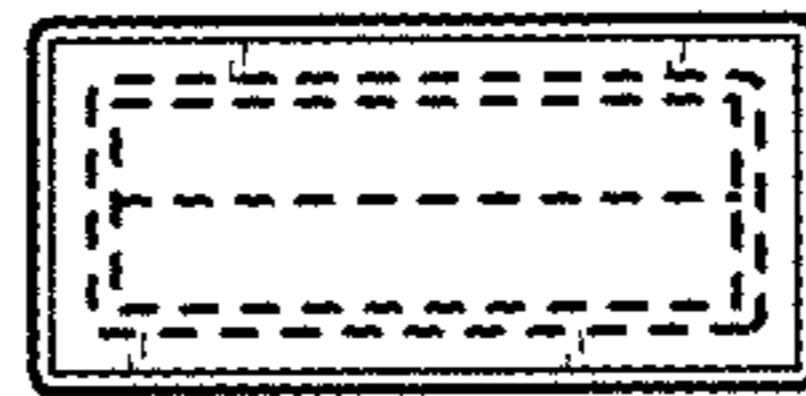


FIG. 6

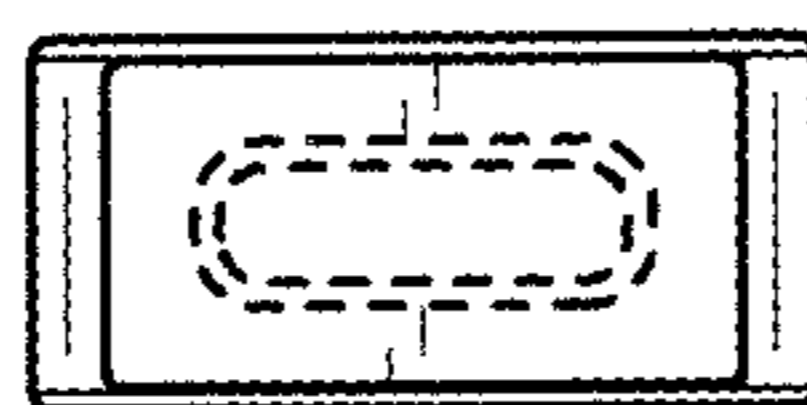


FIG. 7