



US00D904984S

(12) **United States Design Patent**
Hornby

(10) **Patent No.:** **US D904,984 S**

(45) **Date of Patent:** **** Dec. 15, 2020**

(54) **MARKING TOOL FOR AN ELECTRICAL JUNCTION BOX**

(71) Applicant: **Richmond Hornby**, Upton, MA (US)

(72) Inventor: **Richmond Hornby**, Upton, MA (US)

(**) Term: **15 Years**

(21) Appl. No.: **29/677,143**

(22) Filed: **Jan. 17, 2019**

(51) **LOC (12) Cl.** **13-03**

(52) **U.S. Cl.**
USPC **D13/151; D10/64**

(58) **Field of Classification Search**
USPC ... D13/133, 139.3, 151, 152, 154, 156, 158,
D13/184, 199; D10/61, 62, 63, 64
CPC B25H 7/00; B25H 7/04; B25H 7/045
See application file for complete search history.

(56) **References Cited**

U.S. PATENT DOCUMENTS

D260,090	S *	8/1981	Hughes	D13/152
4,386,820	A *	6/1983	Dola	H01R 13/645 439/651
D467,883	S *	12/2002	Renne	D13/160
D475,019	S *	5/2003	Soulodre	D13/151
6,865,819	B2 *	3/2005	Melittas	B25H 7/04 33/528
D572,611	S *	7/2008	Contreras	D10/63
D645,428	S *	9/2011	Karlsson	D13/199
D719,856	S *	12/2014	Dressel	D10/64
D778,842	S *	2/2017	Takahashi	D13/158
2009/0277029	A1 *	11/2009	Guzallis	H02G 1/00 33/528
2015/0147908	A1 *	5/2015	Jauch	H01R 13/6215 439/574
2018/0120102	A1 *	5/2018	Zurek	G01C 9/02
2020/0096664	A1 *	3/2020	Hornby	G01V 3/08

OTHER PUBLICATIONS

“Metal Old Work Box Tracer”. Found online Aug. 11, 2020 at amazon.com. Reference dated May 31, 2012. Retrieved from https://www.amazon.com/Madison-Electric-Products-MSBTRAC1-Tracer/dp/B00H8NVBM8/ref=asc_df_B00H8NVBM8/. (Year: 2012).*
“Vazit Drywall Cutter”. Found online Aug. 19, 2020 at kmstools.com. Reference dated Mar. 14, 2012. Retrieved from https://www.kmstools.com/blog/vazit-tool-review/package_new/. (Year: 2012).*
“HandyMark”. Found online Aug. 19, 2020 at homedepot.com. Reference dated Apr. 26, 2015. Retrieved from https://www.homedepot.com/p/HandyMark-HM1001-BF/204361779. (Year: 2015).*

* cited by examiner

Primary Examiner — Kendra Leslie Hamilton

Assistant Examiner — Amanda Christensen

(74) *Attorney, Agent, or Firm* — Robert Schuler

(57) **CLAIM**

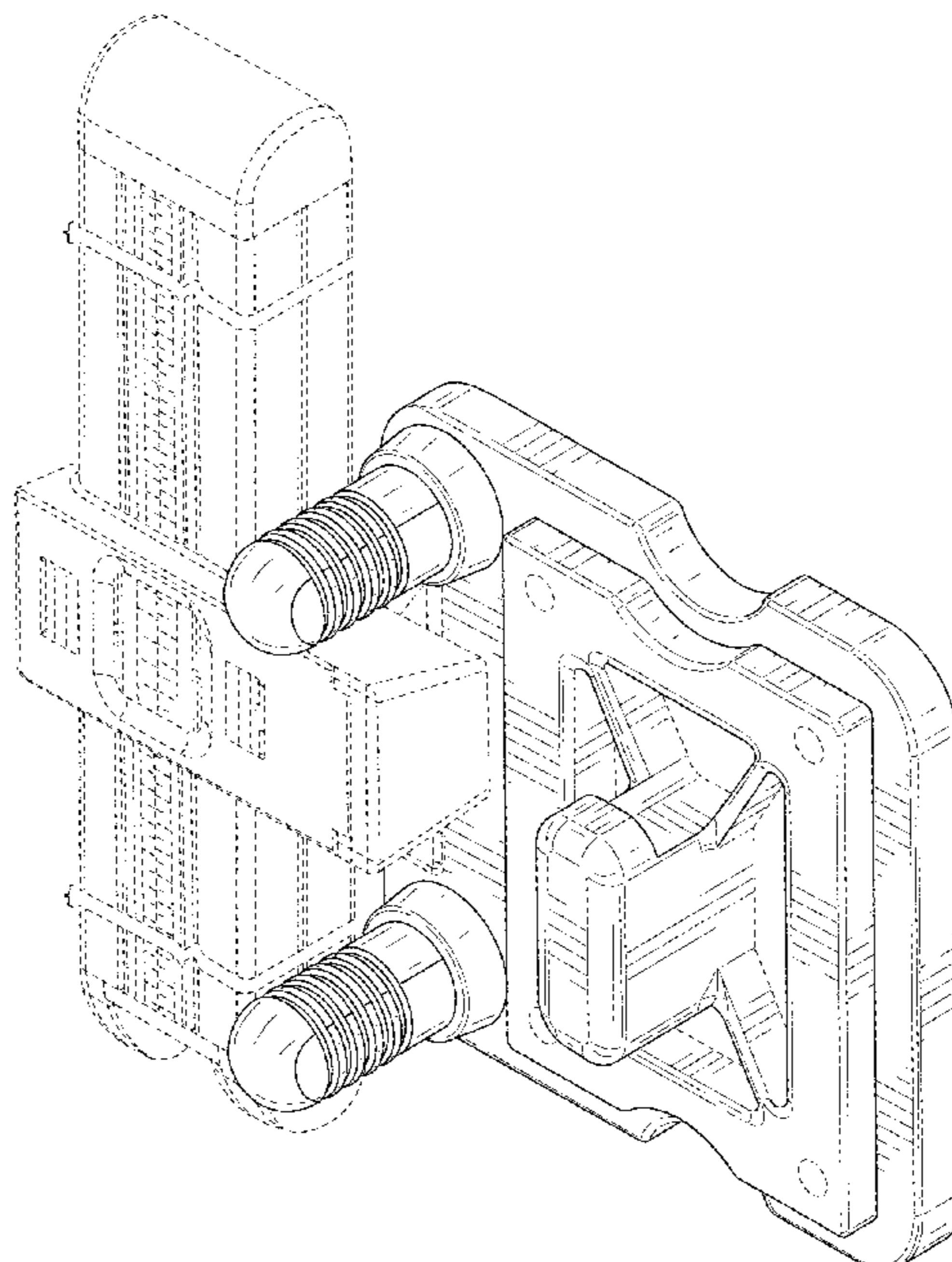
An ornamental design for a marking tool for an electrical junction box, as shown and described.

DESCRIPTION

FIG. 1 is a top, front, right side perspective view of a marking tool for an electrical junction box.
FIG. 2 is a front elevation view thereof.
FIG. 3 is a back elevation view thereof.
FIG. 4 is a right side elevation view thereof.
FIG. 5 is a left side elevation view thereof.
FIG. 6 is a top plan view thereof; and,
FIG. 7 is a bottom plan view thereof.

The broken lines depict portions of the marking tool for an electrical junction box that form no part of the claimed design.

1 Claim, 4 Drawing Sheets



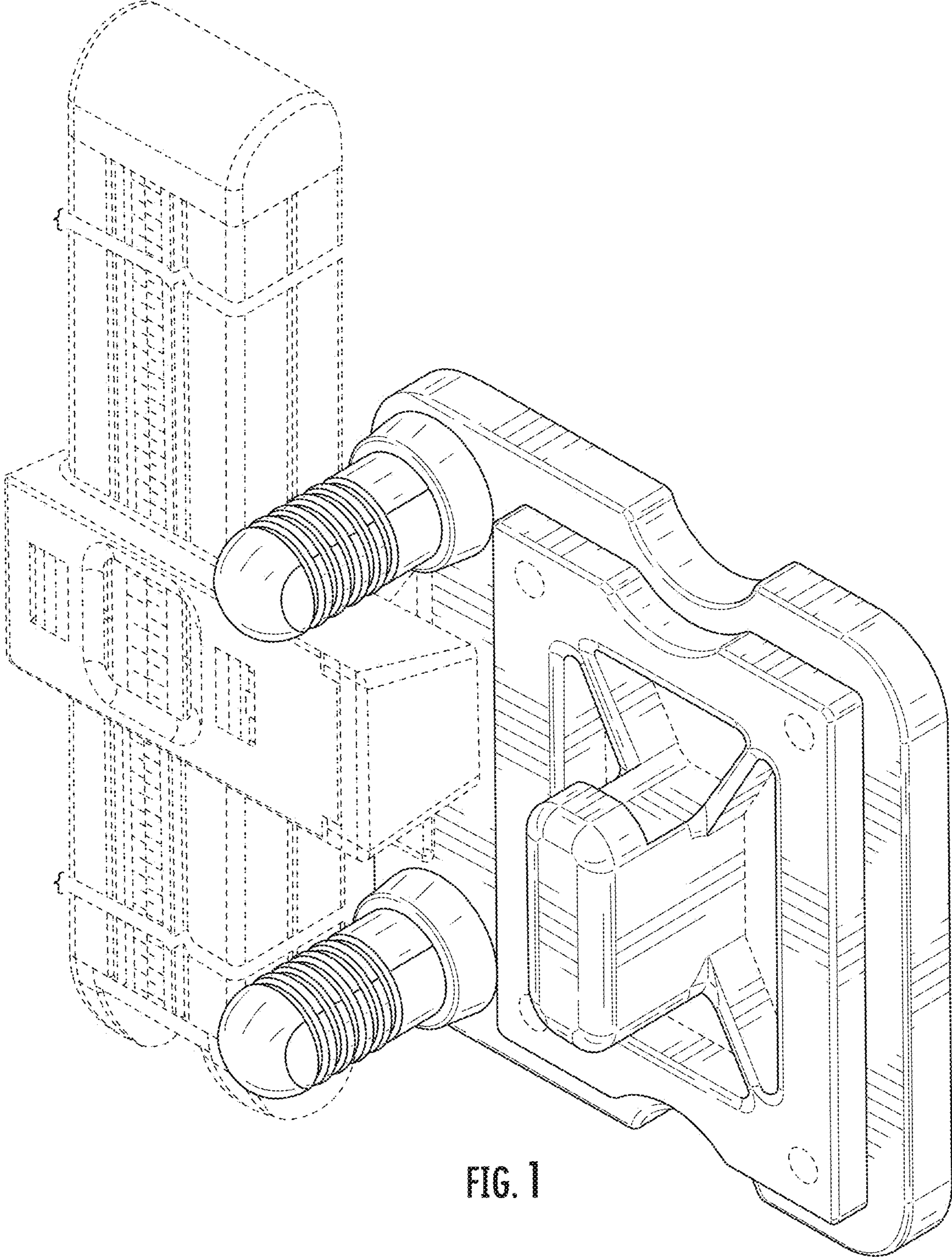


FIG. 1

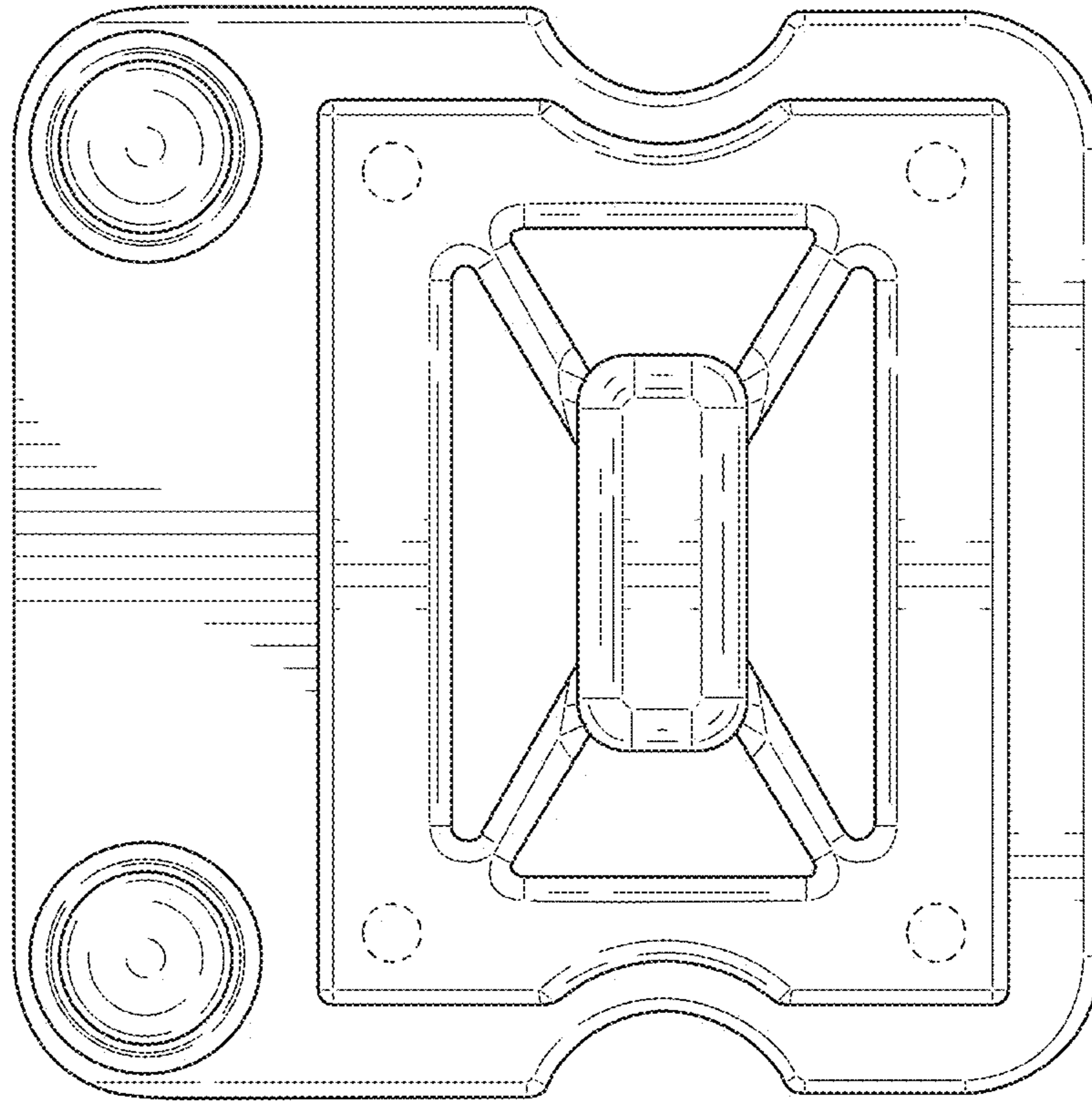


FIG. 2

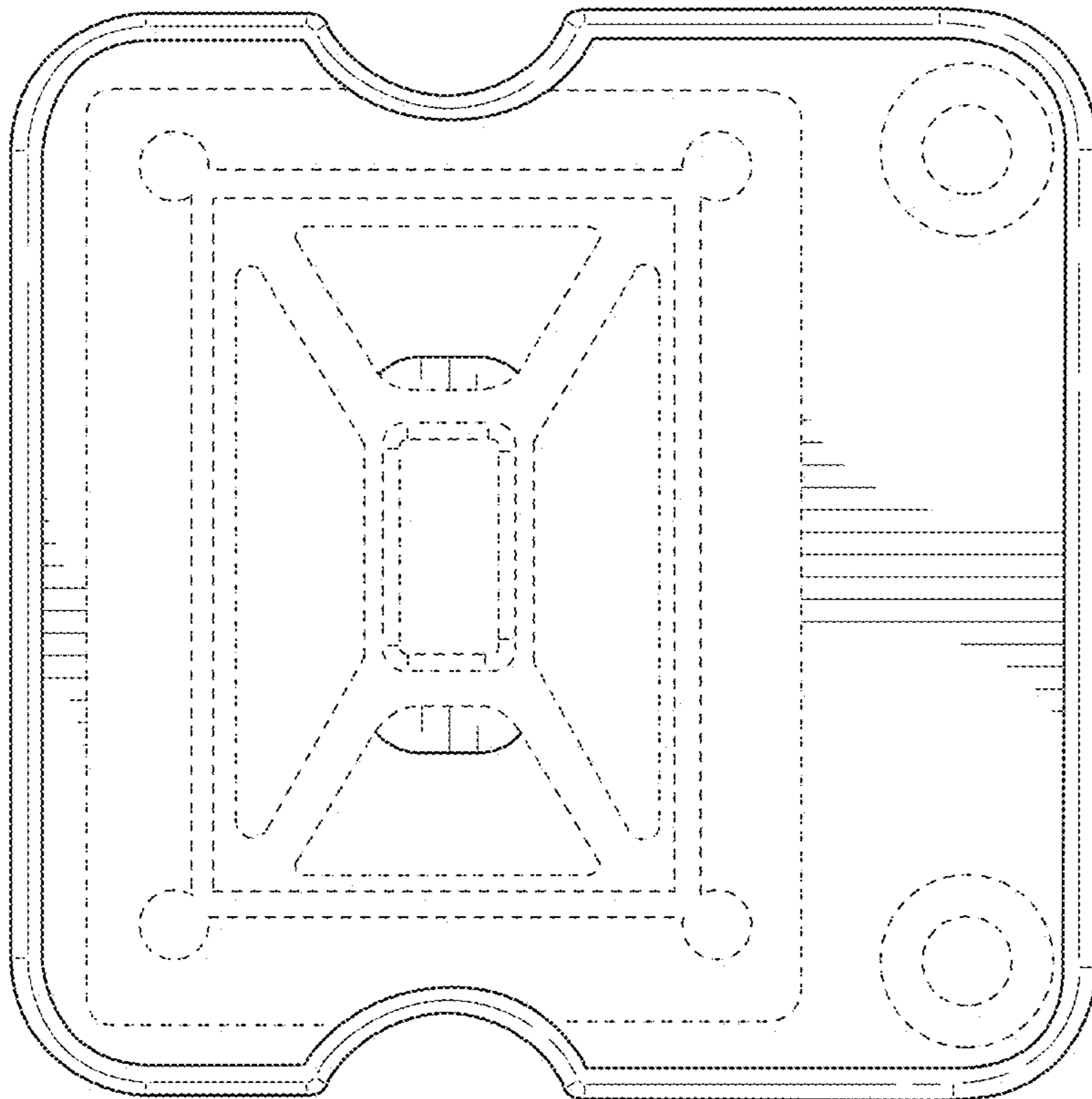


FIG. 3

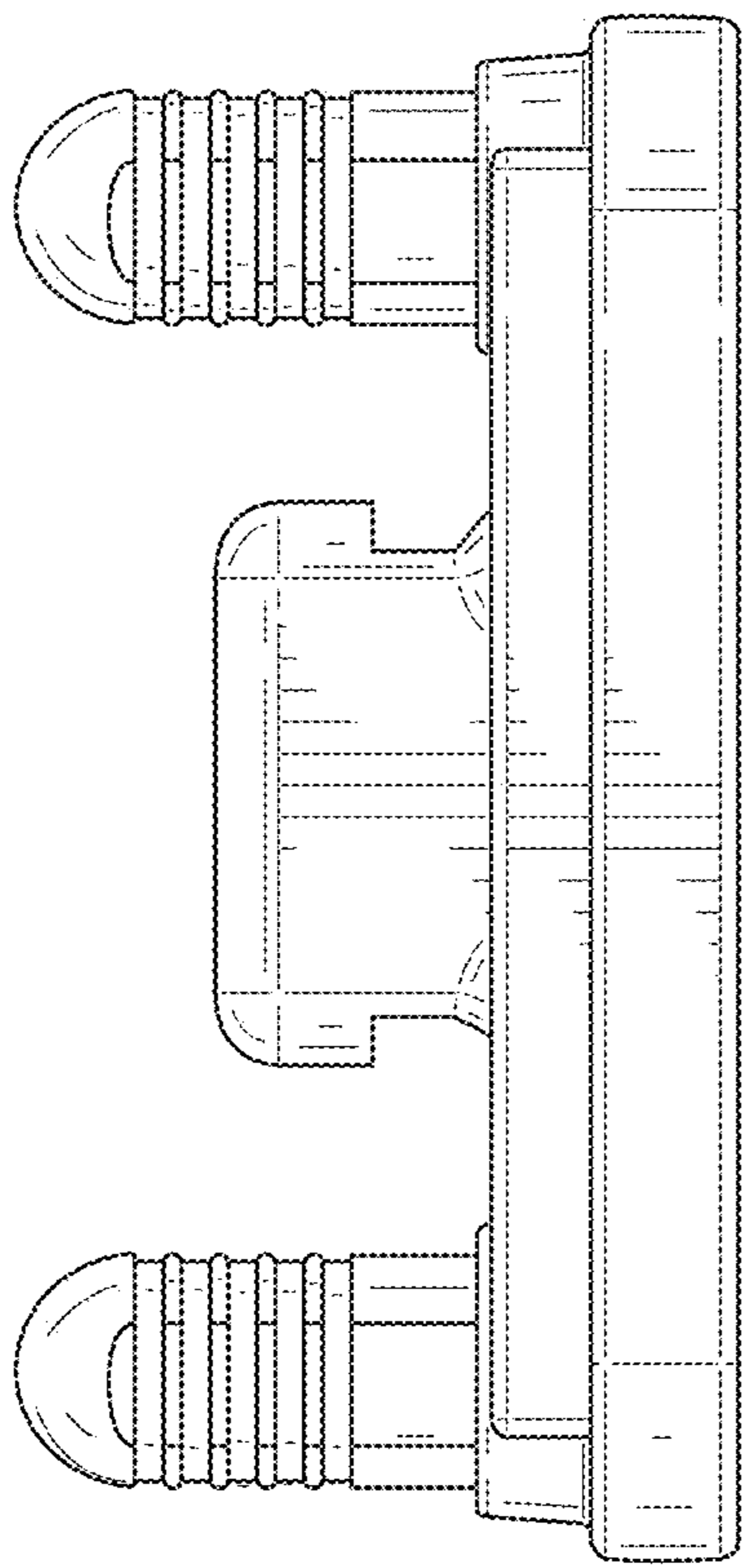


FIG. 4

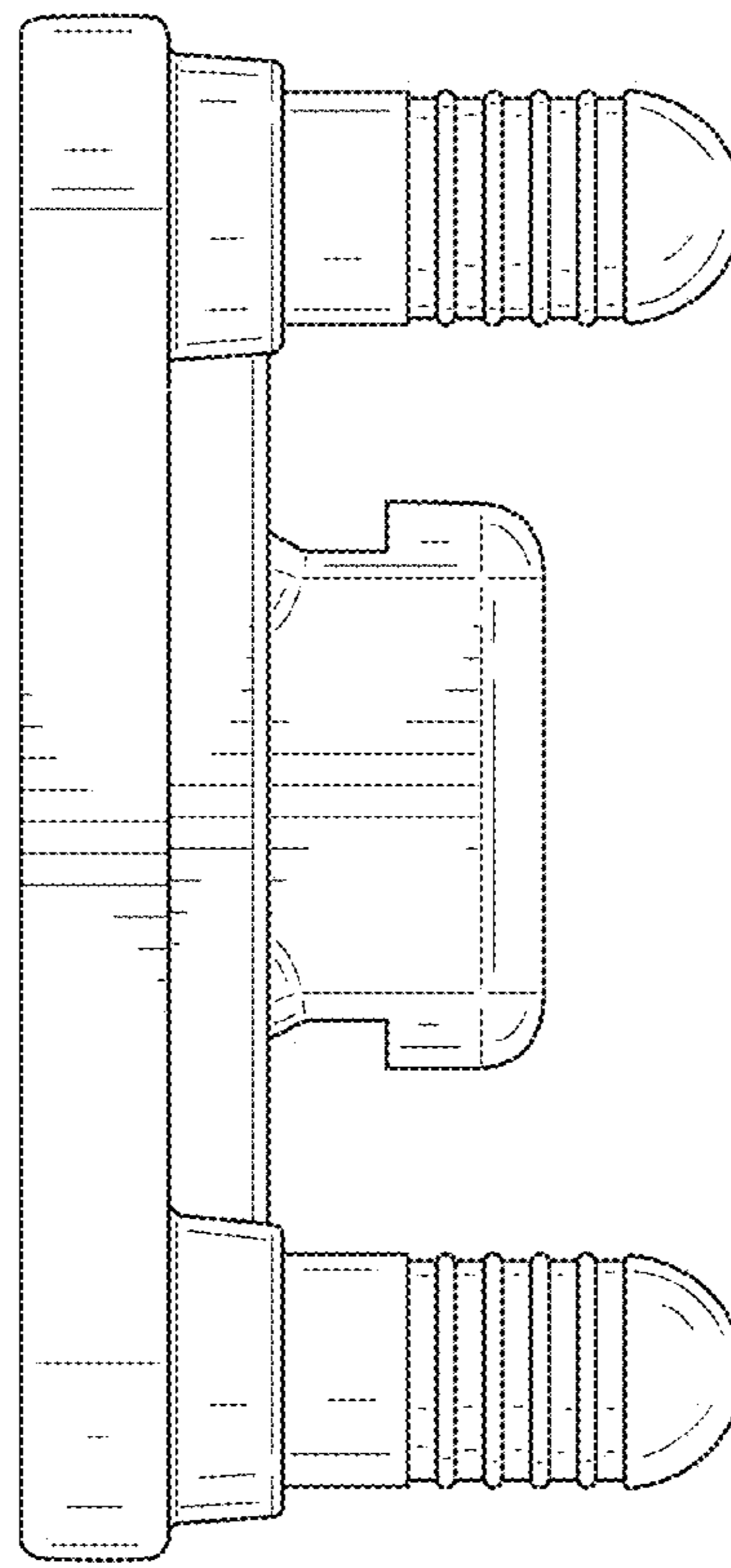


FIG. 5

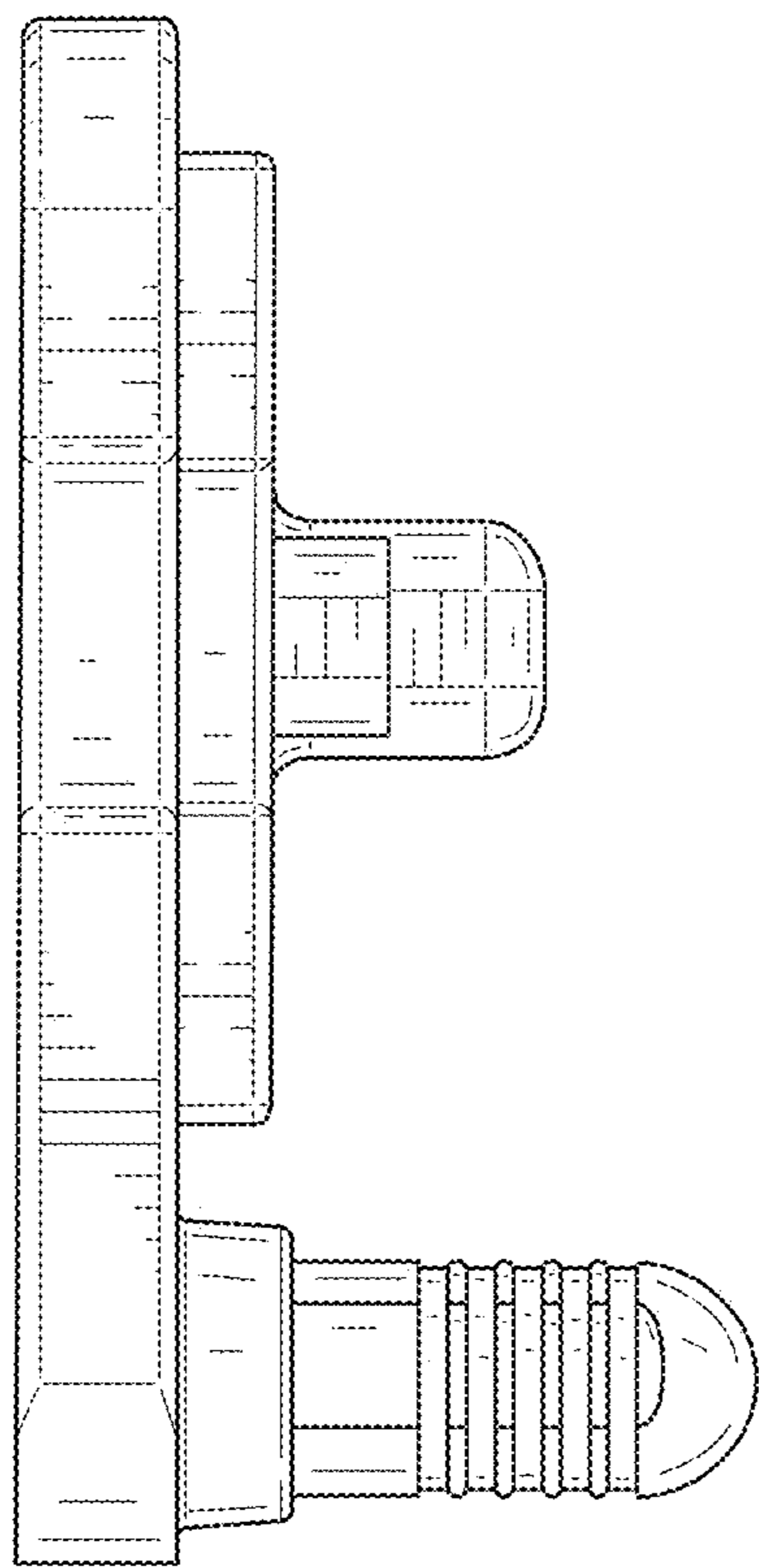


FIG. 6

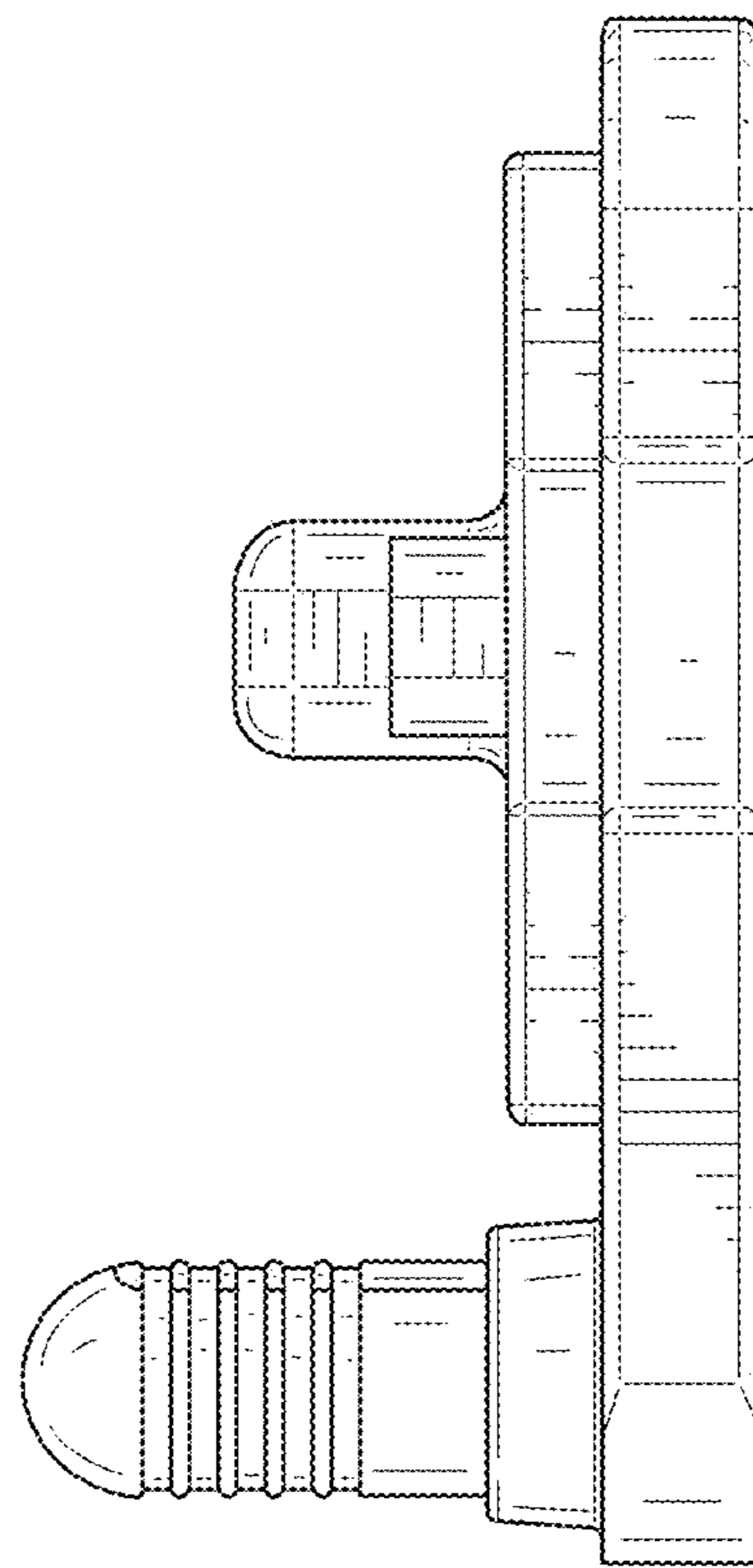


FIG. 7