

US00D904978S

(12) **United States Design Patent**  
**Liao**

(10) **Patent No.:** **US D904,978 S**

(45) **Date of Patent:** **\*\* Dec. 15, 2020**

(54) **WIRELESS PHONE CHARGER HOLDER**

(71) Applicant: **GUANGDONG GOPOD GROUP CO., LTD.**, Guangdong (CN)

(72) Inventor: **Zhuo-Wen Liao**, Guangdong (CN)

(73) Assignee: **GUANGDONG GOPOD GROUP CO., LTD.**, Guangdong (CN)

(\*\*) Term: **15 Years**

(21) Appl. No.: **29/707,162**

(22) Filed: **Sep. 26, 2019**

(30) **Foreign Application Priority Data**

Aug. 5, 2019 (CN) ..... 2019 3 0422098

(51) **LOC (12) Cl.** ..... **13-02**

(52) **U.S. Cl.**  
USPC ..... **D13/108; D14/253**

(58) **Field of Classification Search**  
USPC ..... D14/251-253, 447, 451, 452, 440, 434;  
D13/107, 108; D12/415; D3/218, 215  
CPC ..... F16M 11/00; F16M 11/04; F16M 11/041;  
F16M 11/02; F16M 11/06; F16M 13/00;  
H04M 1/02; H04M 1/04; H04M 1/11;  
H04M 1/12; A47F 7/022; B62J 11/00;  
H05K 7/00; G03B 17/56  
See application file for complete search history.

(56) **References Cited**

**U.S. PATENT DOCUMENTS**

D751,564 S *	3/2016	Hahn	.....	D14/447
D759,647 S *	6/2016	Gallup	.....	D14/253
D762,650 S *	8/2016	Dang	.....	D14/434
D772,216 S *	11/2016	Lau	.....	D14/253
D799,463 S *	10/2017	Deng	.....	D14/252
D799,464 S *	10/2017	Zaihui	.....	D14/252
D813,805 S *	3/2018	Zhong	.....	D13/108

D814,413 S *	4/2018	Zhong	.....	D13/108
D816,027 S *	4/2018	Chen	.....	D13/108
D826,851 S *	8/2018	Wang	.....	D13/108
D840,997 S *	2/2019	Chen	.....	D14/253
D845,308 S *	4/2019	Ma	.....	D14/447
D851,431 S *	6/2019	Jia	.....	D6/682.1
D852,134 S *	6/2019	Mei	.....	D13/108
D852,135 S *	6/2019	Mei	.....	D13/108
D855,566 S *	8/2019	Chen	.....	D13/108
D857,626 S *	8/2019	Zhang	.....	D13/108
D858,437 S *	9/2019	Lu	.....	D13/108
D861,002 S *	9/2019	Bergeron-Mirsky	.....	D14/447
D872,726 S *	1/2020	Lindof	.....	D14/253
D873,216 S *	1/2020	Zhang	.....	D13/108
D873,259 S *	1/2020	Lindof	.....	D14/253
D875,043 S *	2/2020	Yi	.....	D13/108
D877,072 S *	3/2020	Yin	.....	D13/108
D879,035 S *	3/2020	Li	.....	D13/108

(Continued)

*Primary Examiner* — Janice Hallmark

(74) *Attorney, Agent, or Firm* — Chun-Ming Shih; HDLS IPR Services

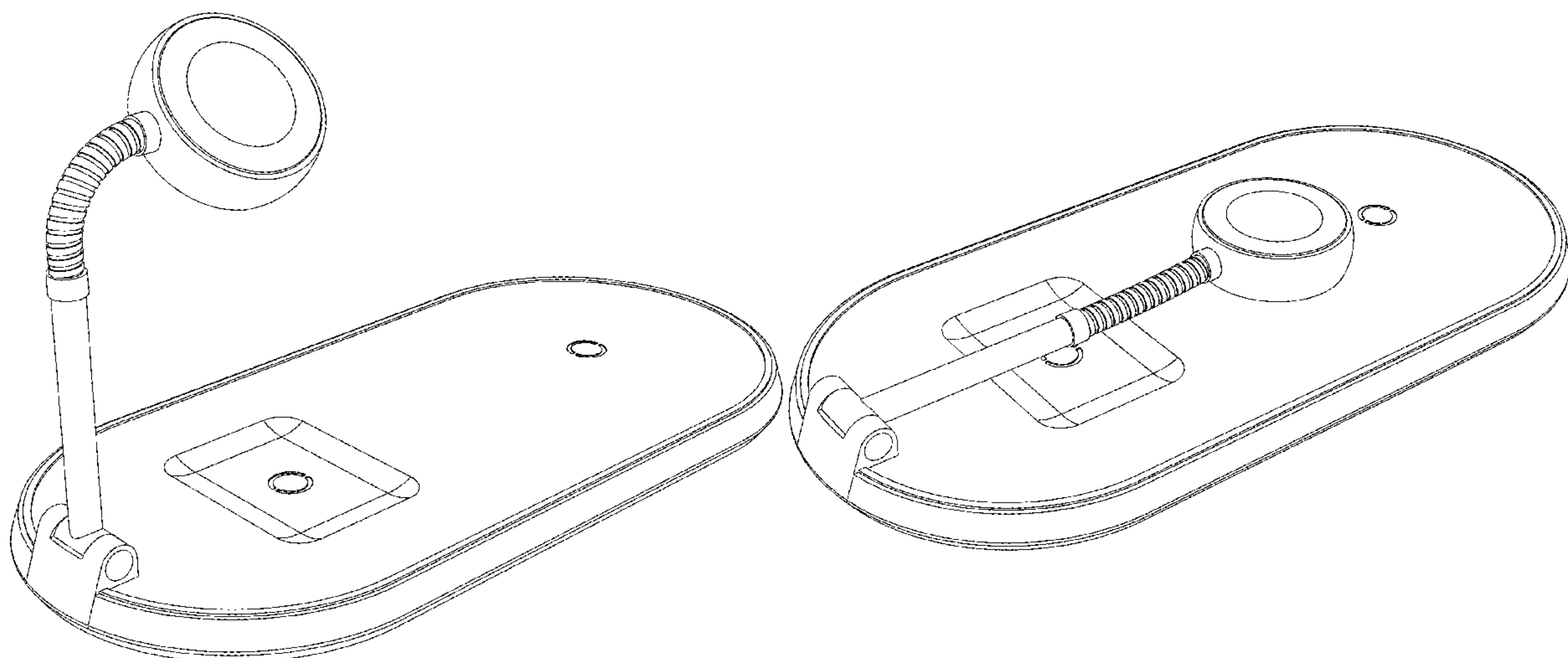
(57) **CLAIM**

The ornamental design for a wireless phone charger holder, as shown and described.

**DESCRIPTION**

FIG. 1 is a top left of front perspective view of wireless phone charger holder;  
FIG. 2 is a top right of rear perspective view thereof;  
FIG. 3 is a top right of rear perspective view after turning 180 degrees thereof;  
FIG. 4 is a front perspective view thereof;  
FIG. 5 is a rear perspective view thereof;  
FIG. 6 is a left side elevational view thereof;  
FIG. 7 is a right side elevational view thereof;  
FIG. 8 is a top plan view thereof;  
FIG. 9 is a bottom plan view thereof; and,  
FIG. 10 is a view of folding state thereof.

**1 Claim, 10 Drawing Sheets**



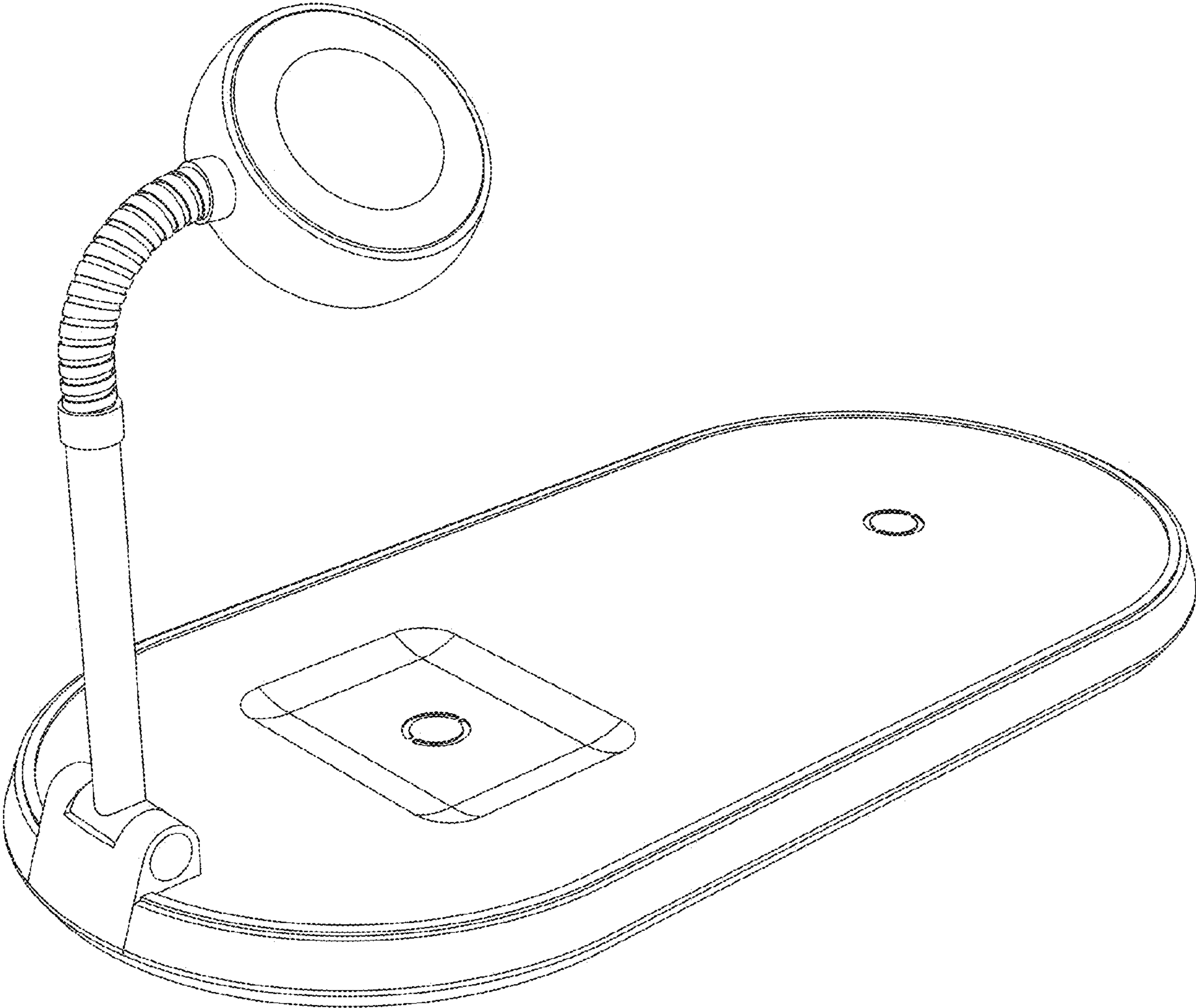
(56)

**References Cited**

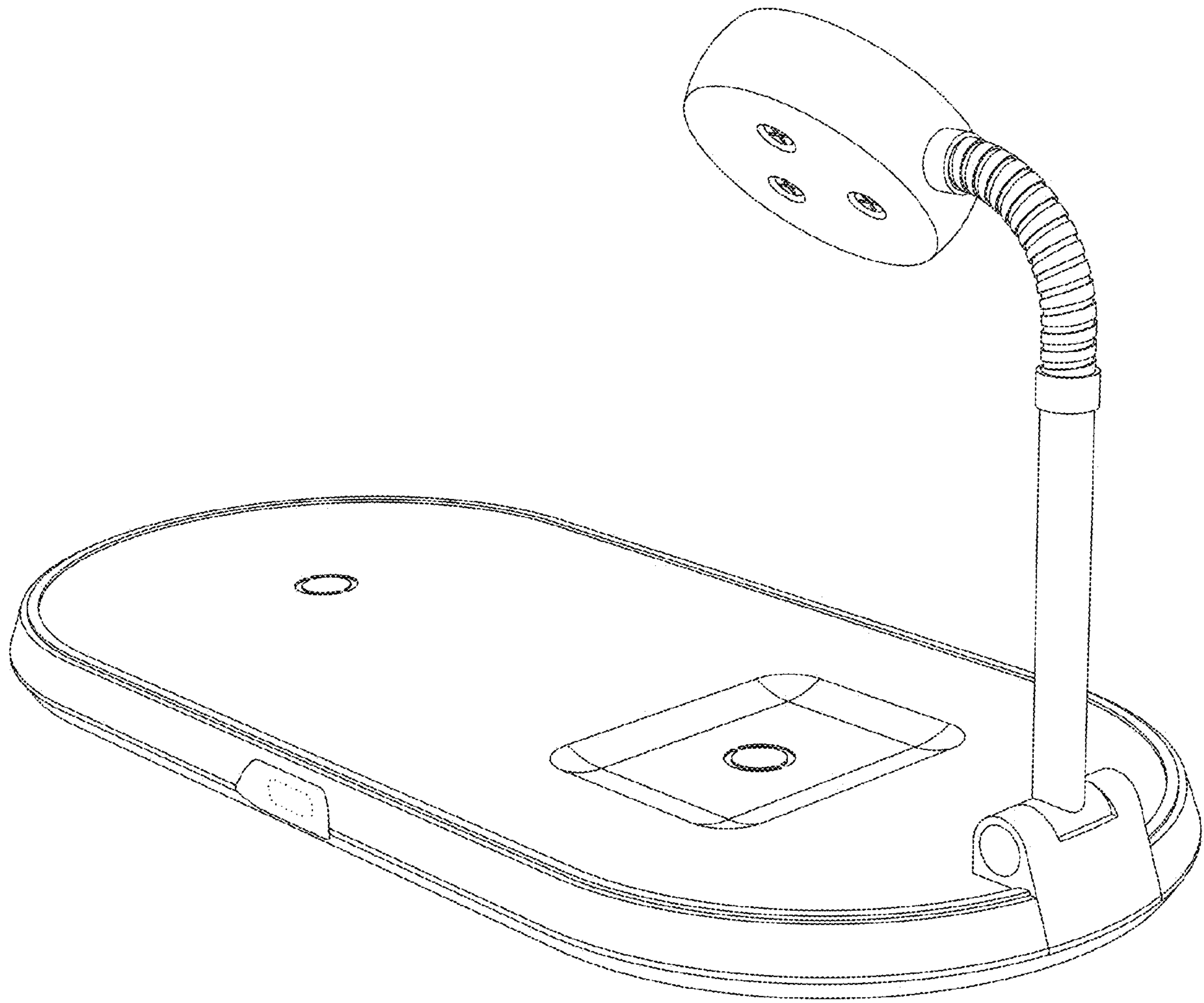
U.S. PATENT DOCUMENTS

D881,123 S *	4/2020	Zhang .....	D13/108
D884,622 S *	5/2020	Huang .....	D13/108
D886,051 S *	6/2020	Chen .....	D13/108
D886,056 S *	6/2020	Zhang .....	D13/108
D886,059 S *	6/2020	Hu .....	D13/108
D889,403 S *	7/2020	Li .....	D13/108
2007/0135174 A1 *	6/2007	Musk .....	H04M 1/04 455/569.1

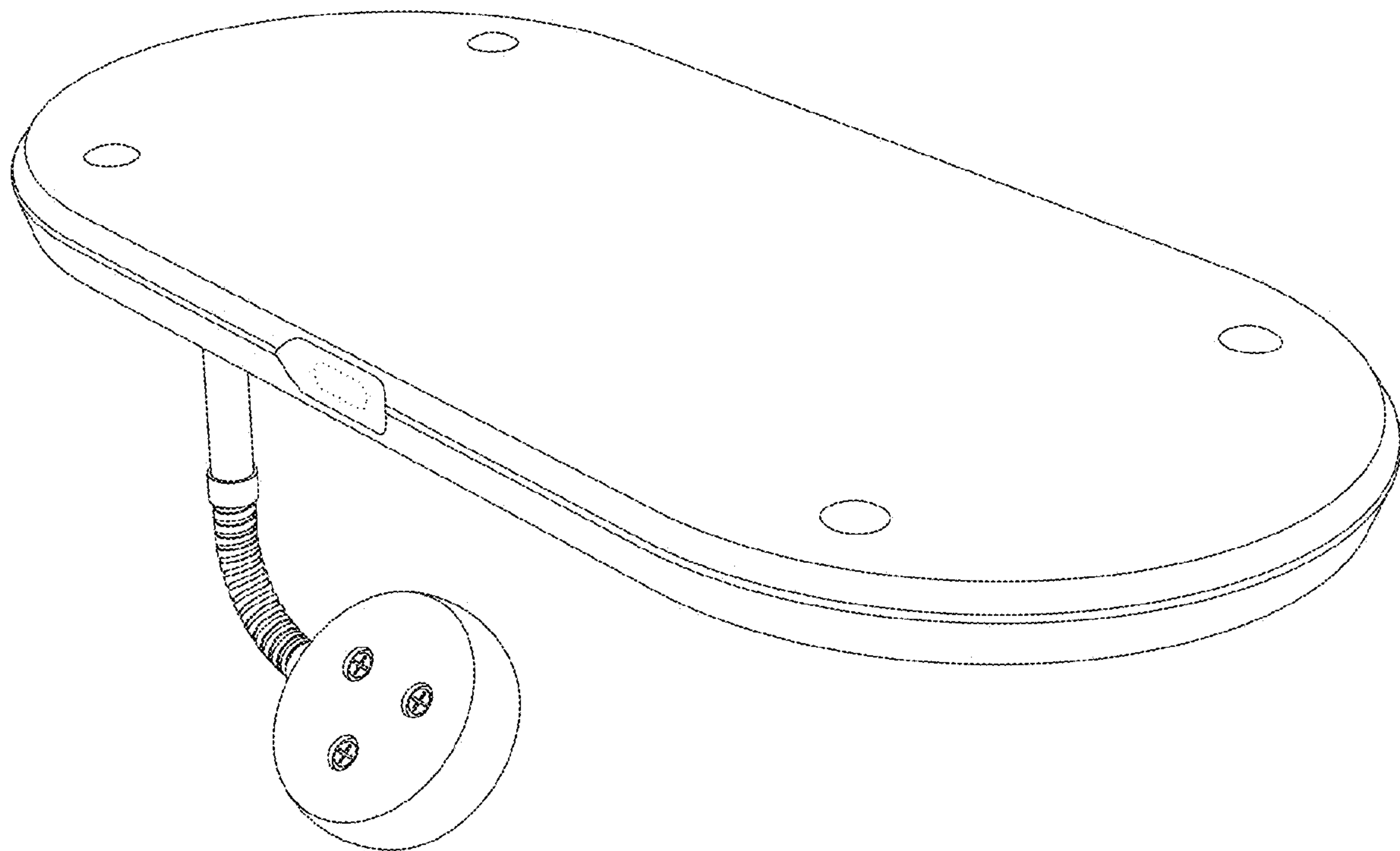
\* cited by examiner



**FIG. 1**

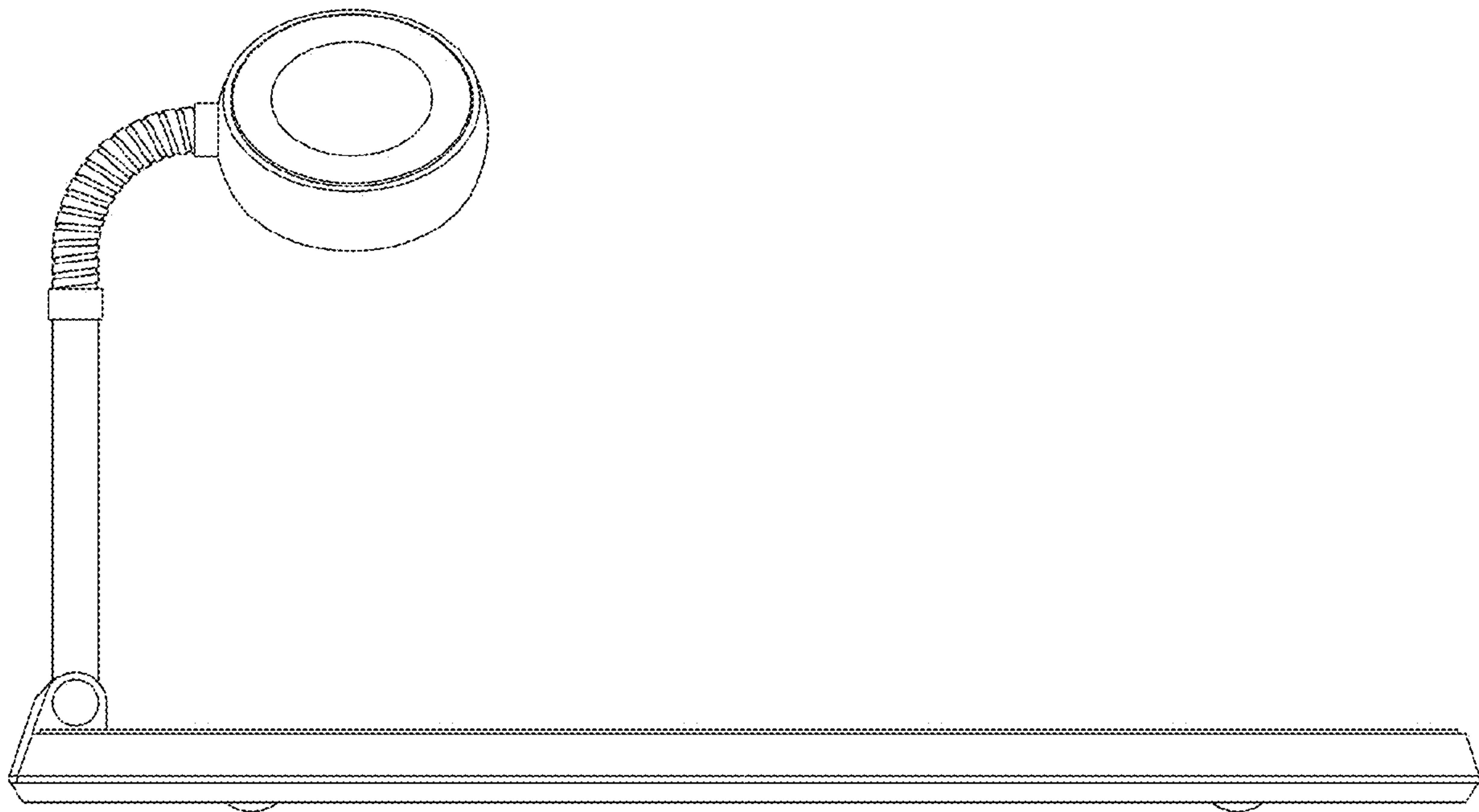


**FIG. 2**

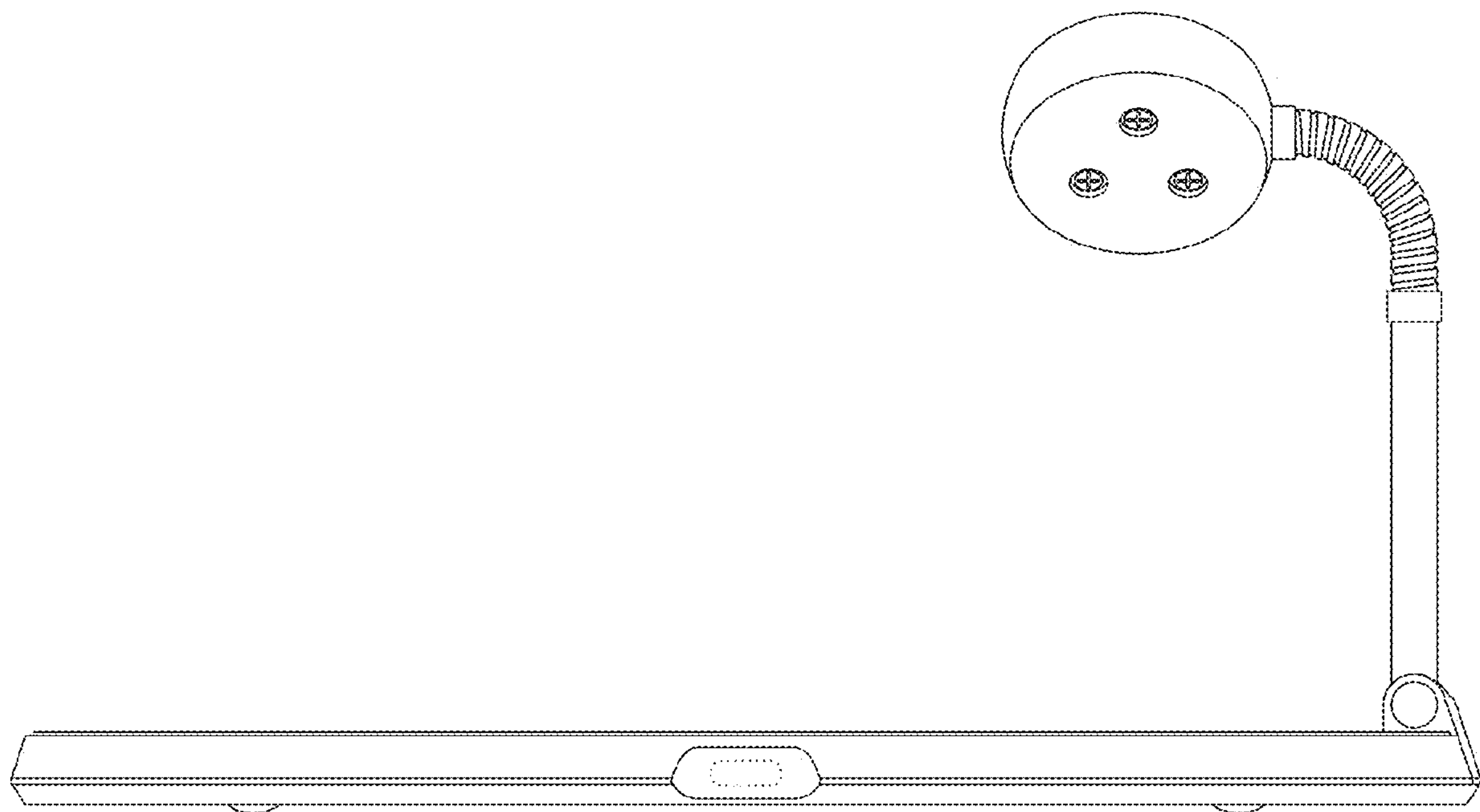


**FIG. 3**

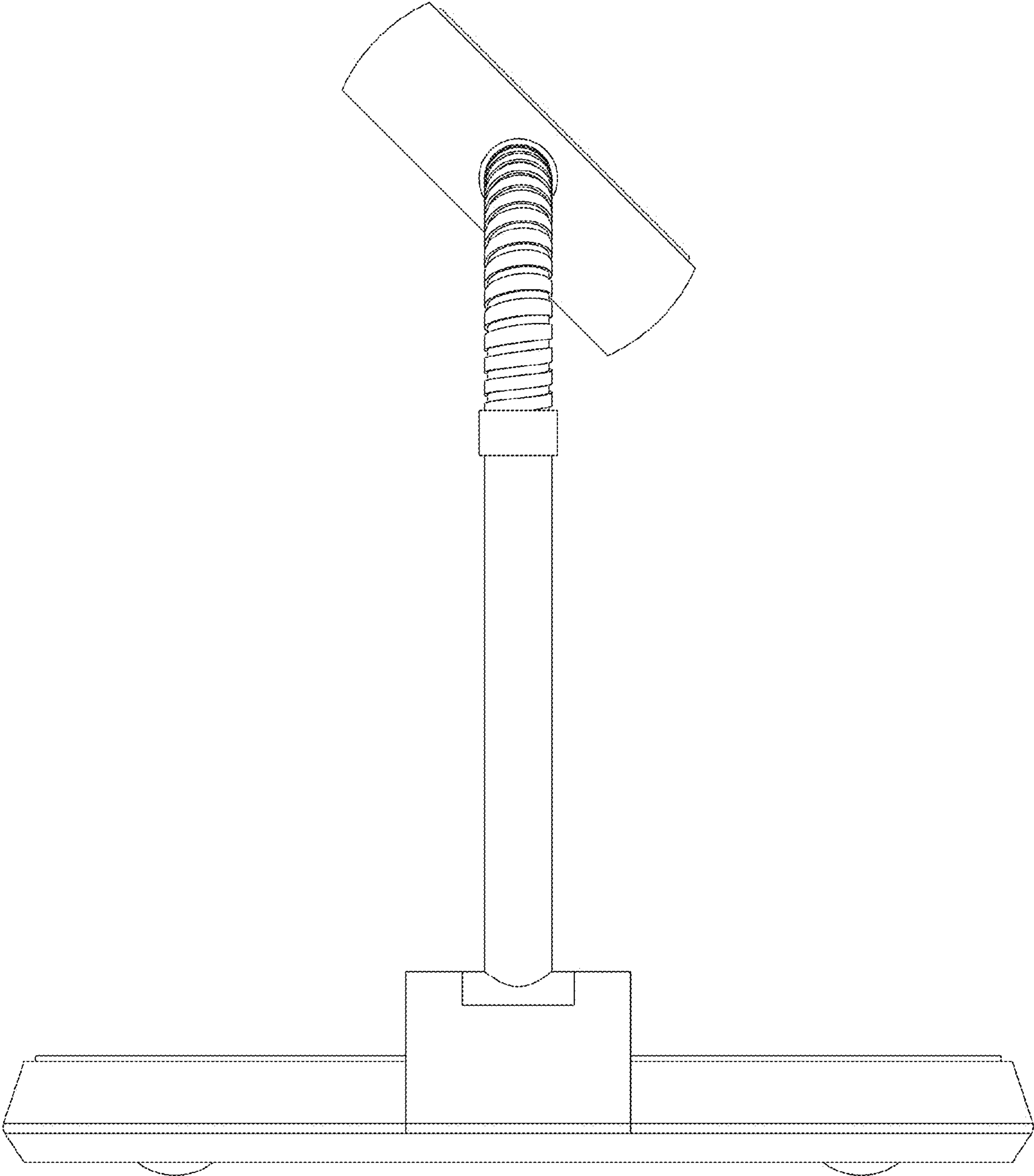




***FIG. 4***

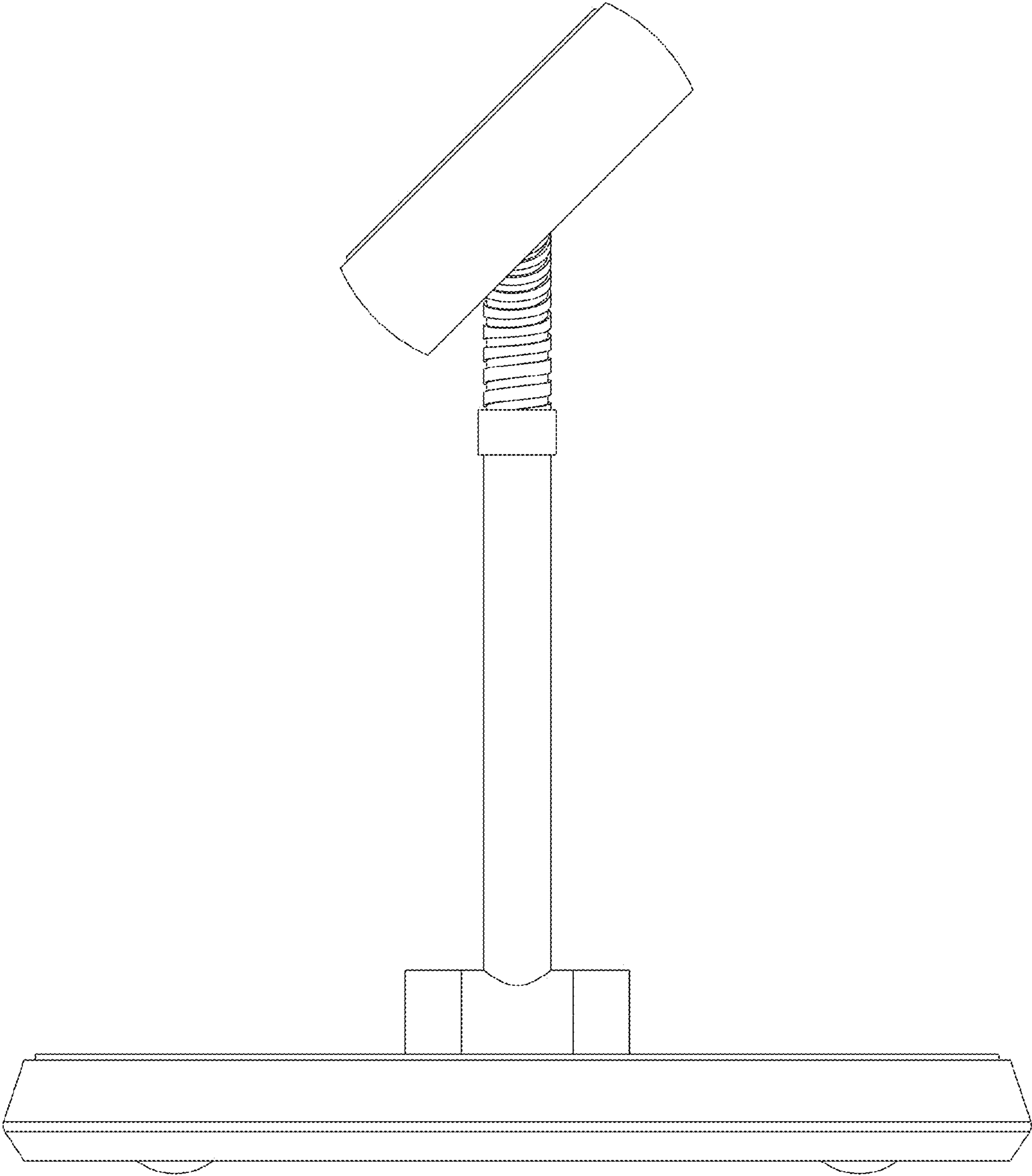


**FIG. 5**

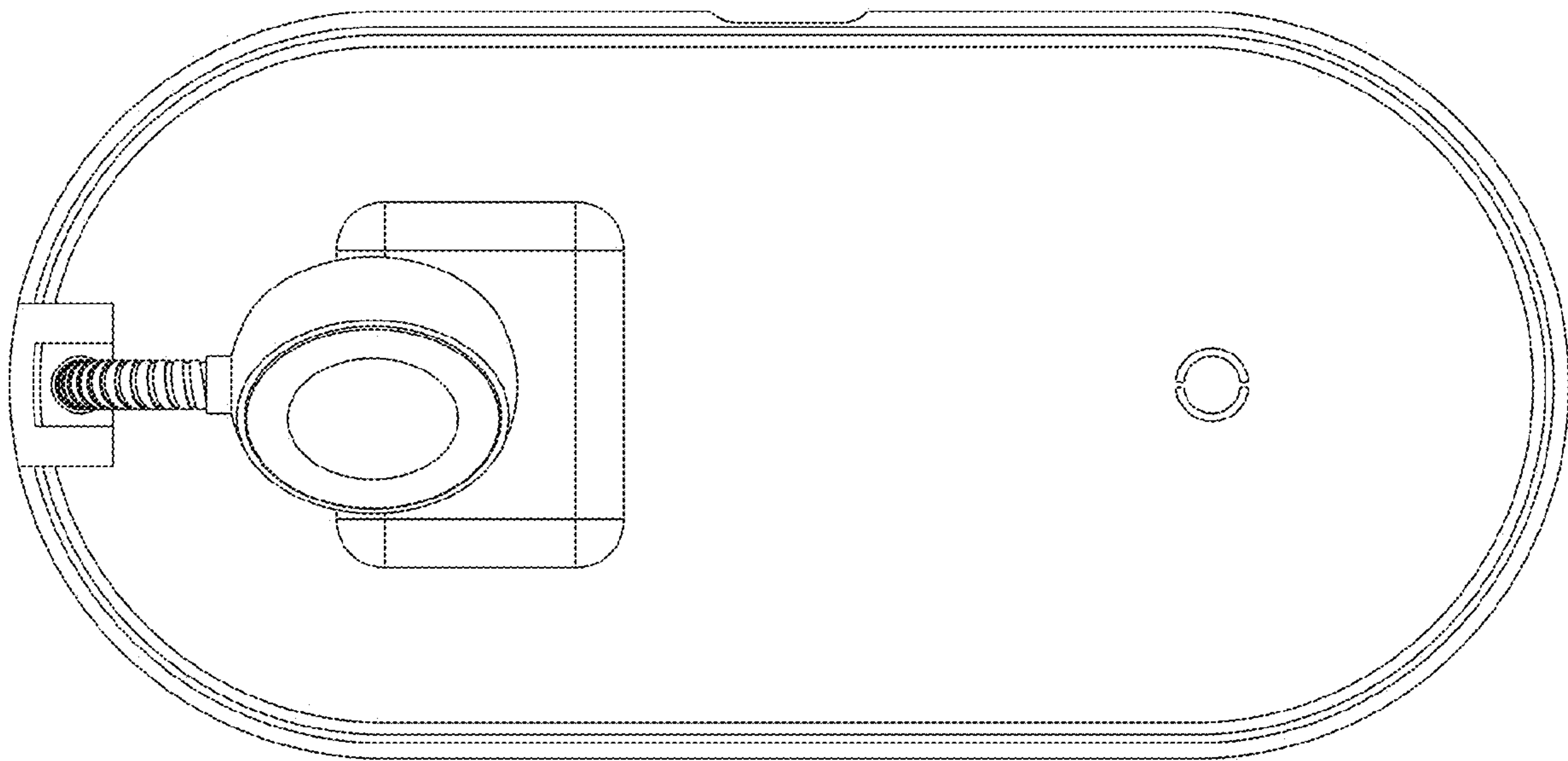


**FIG. 6**

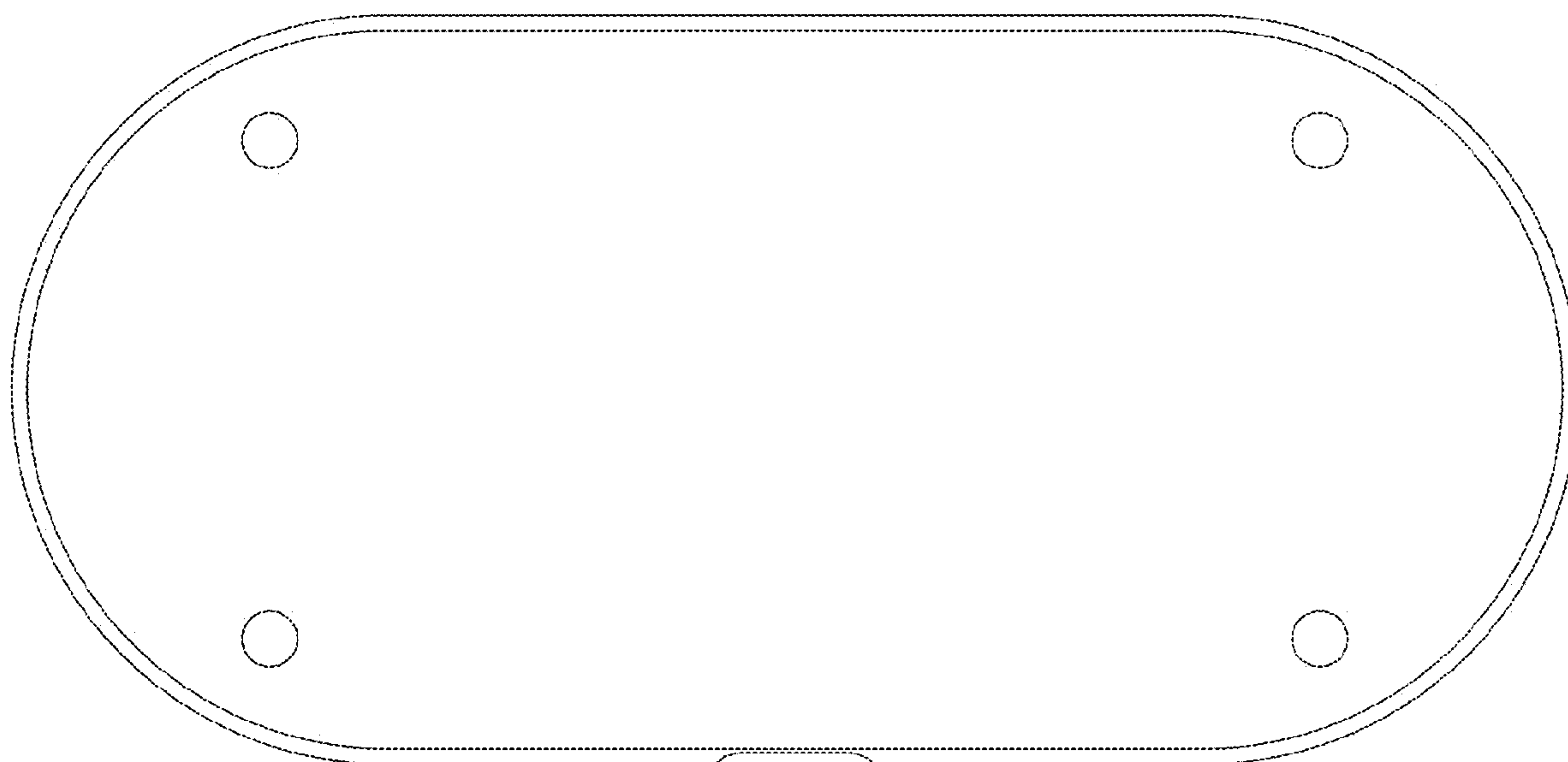




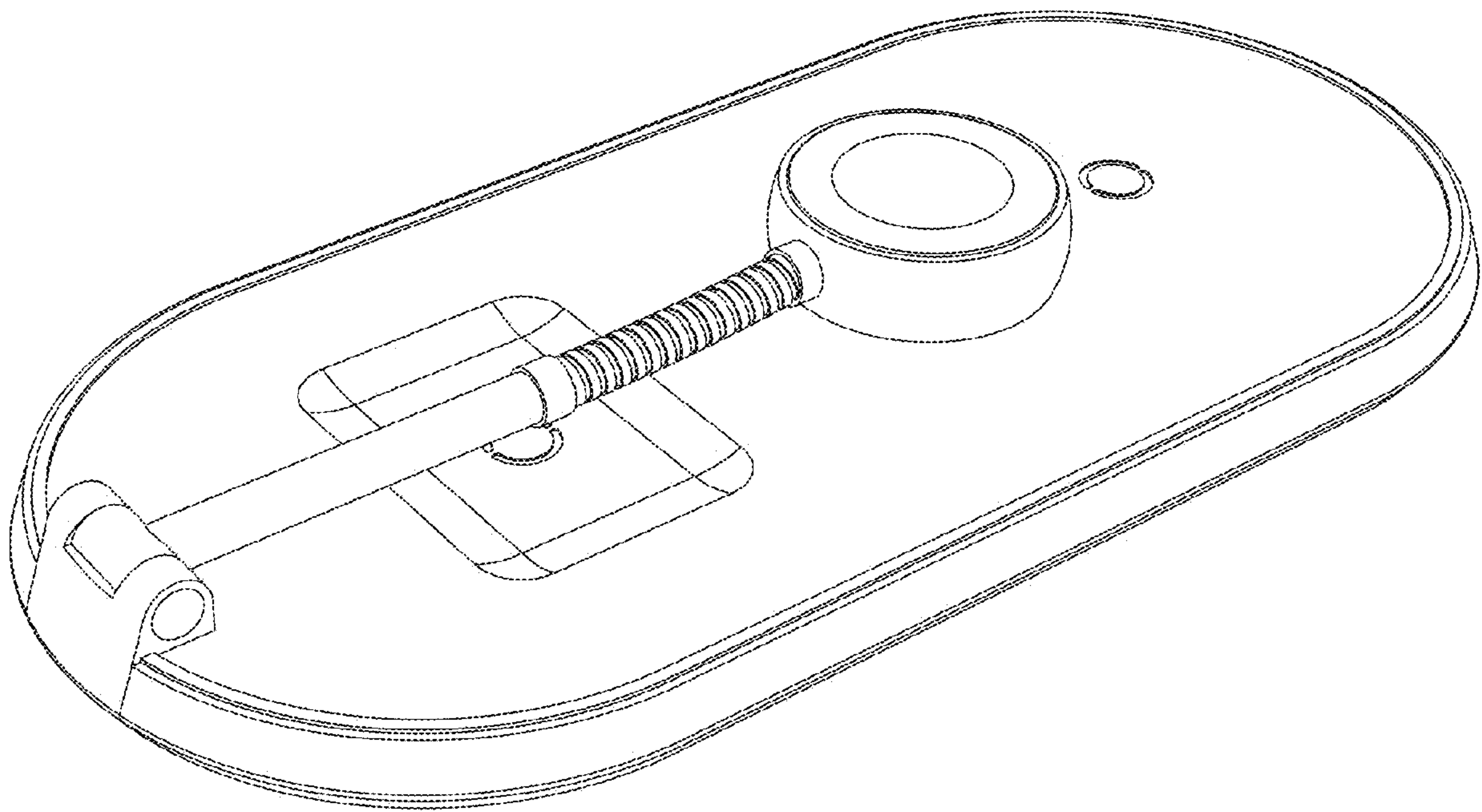
**FIG. 7**



**FIG. 8**



***FIG. 9***



***FIG. 10***